

AUTOMATED BY PRTLST.3L(40)

PARTS LIST

SHEET A1 OF A1

| LINE ITEM | DOCUMENT NUMBER | PART NUMBER | DESCRIPTION | QUANTITY PER VARIATION | | |
|-----------|-----------------|-------------|--------------------------|------------------------|----|----|
| | | | | AA | AB | AC |
| 1 | 1 | M8186-00 | 16 BIT MICROPROCESSOR | 1 | 1 | 1 |
| 2 | 2 | 2115542-01 | F1==11 MMV W/FLOAT PT RE | 1 | 1 | - |
| 3 | 3 | 5700001-00 | CTL/CTL HYBRID KEF11-AA | - | 1 | - |
| 4 | 4 | 9905622-00 | BOX, FOLDING | 1 | 1 | 1 |

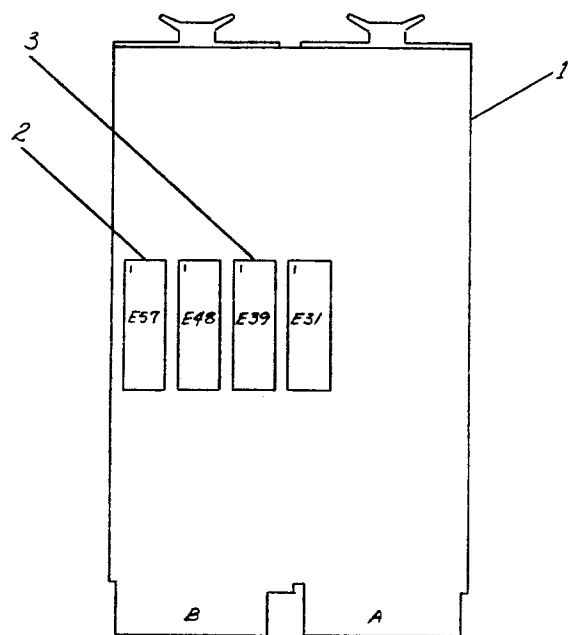
| REVISION HISTORY | | BASIC PART NO: KDF11 | | DRN: | P. BLODGETT | DATE: | D I G I T A L | | | |
|------------------|--------------|----------------------|--------------------------|-------------|---|-------|---|----|-------------|---|
| ENG | ECO NUMBER | REV | SECTION A OF A | CHK'D: | W. J. MAHER | DATE: | TITLE PARTS LIST | | | |
| MT | KDF11A-ML001 | B | SECTION, VARIATION INDEX | CHK'D: | W. J. MAHER <td>DATE:</td> <td colspan="3">DUAL HEIGHT CPU</td> | DATE: | DUAL HEIGHT CPU | | | |
| | | | [A] AA, AB, AC | | | | | | | |
| | | | [B] | DES. ENG.: | R. BADEAU | DATE: | DOCUMENT NUMBER | | | |
| | | | [C] | | | | | | | |
| | | | [D] | RESP. ENG.: | R. BADEAU | DATE: | SIZE CODE NUMBER REV | | | |
| | | | [E] | | | | K | PL | KDF11-A-DBP | B |
| | | | [F] | MFG. ENG.: | A. HOFFMAN | DATE: | ASSEMBLY NUMBER: TOP DOCUMENT NUMBER: FILE NAME: EDIT # | | | |
| | | | | | | | B-DD-KDF11-A-0 | | Z04723.PLS | 4 |

"THIS DRAWING AND SPECIFICATIONS HEREIN, ARE THE PROPERTY OF DIGITAL EQUIPMENT CORPORATION AND SHALL NOT BE REPRODUCED OR COPIED OR USED IN WHOLE OR IN PART AS THE BASIS FOR THE MANUFACTURE OR SALE OF ITEMS WITHOUT WRITTEN PERMISSION. COPYRIGHT (C) 1980. DIGITAL EQUIPMENT CORPORATION"

THIS DRAWING AND SPECIFICATIONS HEREIN ARE THE PROPERTY OF DIGITAL EQUIPMENT CORPORATION AND SHALL NOT BE REPRODUCED OR COPIED OR USED IN WHOLE OR IN PART AS THE BASIS FOR THE MANUFACTURE OR SALE OF ITEMS WITHOUT WRITTEN PERMISSION. COPYRIGHT © 1980 DIGITAL EQUIPMENT CORPORATION

| LEGEND | |
|----------|-----------------------------|
| NUMBER | DESCRIPTION |
| KDFII-AA | M8186 + KTFII-AA |
| KDFII-AB | M8186 + KTFII-AA + KEFII-AA |
| KDFII-AC | M8186 |

NOTES:
 1. FOR PROPER OPERATION OF FLOATING POINT (ITEM #3), THE M8186 MODULE (ITEM #1) MUST BE AT HARDWARE REVISION A6 OR C2 OR LATER.
 2. WHEN INSTALLING ITEMS #2 OR #3 ON ITEM #1 MAKE SURE THAT PIN 1 IS LOCATED AS SHOWN.



COMPONENT SIDE VIEW

FOR PARTS LIST SEE: K-PL-KDFII-A-DBP

| REVISION HISTORY | |
|------------------|------|
| DATE | REV. |
| 11 Feb 80 | B |
| 11 Feb 80 | A |

M. TEHRANIAN
 11 Feb 80

| DESCRIPTION | DRAWING NO. | PART NO. | ITEM NO. | | | | | | | | | | | | | | | | | | | | | |
|--|------------------------|---|--|------|------|------|------|------|------|---|-----|-----|-----|------|------|----|----|----|----|----|----|-----|-----|-----|
| UNLESS OTHERWISE SPECIFIED DIMENSIONS ARE IN INCHES AND THE FOLLOWING TOLERANCES APPLY (PER DEC STD 114) | | | | | | | | | | | | | | | | | | | | | | | | |
| INCHES TOLERANCES | ANGLES ± 0° 30' | APPLICABLE DIMENSION RANGE (CHECK ONE) | DIMENSIONS RANGE IN INCHES | | | | | | | | | | | | | | | | | | | | | |
| | | | <table border="1"> <tr> <th>OVER</th> <th>OVER</th> <th>OVER</th> <th>OVER</th> <th>OVER</th> <th>OVER</th> </tr> <tr> <td>0</td> <td>0.2</td> <td>1.2</td> <td>4.0</td> <td>12.0</td> <td>40.0</td> </tr> <tr> <td>TO</td> <td>TO</td> <td>TO</td> <td>TO</td> <td>TO</td> <td>TO</td> </tr> <tr> <td>0.2</td> <td>1.2</td> <td>4.0</td> <td>12.0</td> <td>40.0</td> <td>80.0</td> </tr> </table> | OVER | OVER | OVER | OVER | OVER | OVER | 0 | 0.2 | 1.2 | 4.0 | 12.0 | 40.0 | TO | TO | TO | TO | TO | TO | 0.2 | 1.2 | 4.0 |
| OVER | OVER | OVER | OVER | OVER | OVER | | | | | | | | | | | | | | | | | | | |
| 0 | 0.2 | 1.2 | 4.0 | 12.0 | 40.0 | | | | | | | | | | | | | | | | | | | |
| TO | TO | TO | TO | TO | TO | | | | | | | | | | | | | | | | | | | |
| 0.2 | 1.2 | 4.0 | 12.0 | 40.0 | 80.0 | | | | | | | | | | | | | | | | | | | |
| X ± .1 XX ± .02 XXX ± .005 | SURFACE QUALITY | <input type="checkbox"/> ± .004 <input type="checkbox"/> ± .008 <input type="checkbox"/> ± .012 <input type="checkbox"/> ± .016 <input type="checkbox"/> ± .024 <input type="checkbox"/> ± .04 | <input type="checkbox"/> ± .10 <input type="checkbox"/> ± .04 | | | | | | | | | | | | | | | | | | | | | |
| QUANTITY & VARIATION | THIRD ANGLE PROJECTION | DATE 2/7/80 | TITLE digital | | | | | | | | | | | | | | | | | | | | | |
| DO NOT SCALE DRAWING | DES ENG | DATE 11 Feb 80 | KDFII-A CPU UNIT ASSEMBLY | | | | | | | | | | | | | | | | | | | | | |
| REMOVE BURRS AND BREAK SHARP CORNERS | REP ENG | DATE 11 Feb 80 | DOCUMENT NUMBER | | | | | | | | | | | | | | | | | | | | | |
| MATERIAL | MFG ENG | DATE 11 Feb 80 | SIZE CODE NUMBER REV | | | | | | | | | | | | | | | | | | | | | |
| FINISH | NEXT HIGHER DOC | B-DD-M8186-0 | C U A KDFII-A-0 B | | | | | | | | | | | | | | | | | | | | | |
| | SCALE | SHEET | OF 1 | | | | | | | | | | | | | | | | | | | | | |

C U A KDFII-A-0
 SIZE NUMBER
 B

C U A KDFII-A-0
 SIZE NUMBER
 B

REV. K M8186-0 DD B SIZE CODE NUMBER

| DRAWING NO. | NO. OF SHTS. | PART NO. | DESCRIPTION | REVISIONS | | | | | | | | | | | | | |
|------------------|--------------|----------|---|-----------|----|----|----|----|----|----|----|----|----|--|--|--|--|
| | | M8186 | HARDWARE REVISION (ETCH A) KDF11A CPU | A0 | A1 | A2 | A3 | A4 | A5 | A6 | A7 | | | | | | |
| D-UA-M8186-0-0 | 3 | | | * | A | B | C | C1 | C2 | C2 | C3 | | | | | | |
| B-PL-M8186-0-0 | | | PARTS LIST | * | A | B | C | C | C1 | C2 | C3 | | | | | | |
| D-CS-M8186-0-1 | 4 | | KDF11A CPU | * | A | B | C | C | C1 | C2 | C2 | C3 | | | | | |
| D-MD-5013326-0-0 | 5 | | DRILL AND ETCH DRAWING | * | * | * | * | * | * | * | * | * | | | | | |
| | | 5013326 | ETCHED BOARD | A | A | A | A | A | A | A | A | A | | | | | |
| | | M8186 | HARDWARE REVISION (ETCH C) KDF11-A CPU | | | | | C0 | C0 | C1 | C2 | C2 | C3 | | | | |
| D-IA-M8186-0-0 | | | | | | | | D | D | E | E | F | | | | | |
| K-PL-M8186-0-DBP | | | DATA BASE PARTS LIST | | | | | D | D | E | F | H | J | | | | |
| D-CS-M8186-0-1 | | | KDF11-A CPU | | | | | D | D | E | E | F | | | | | |
| D-MD-5013326-0-0 | | | DRILL AND ETCH DRAWING | | | | | D | D | D | D | D | D | | | | |
| | | 5013326 | ETCHED BOARD | | | | | C | C | C | C | C | C | | | | |

NOTES:
 1. THE HARDWARE REVISION IS STAMPED ON THE MODULE HANDLE. IT IS A TWO FIELD ALPHA-NUMERIC CHARACTER. THE FIRST FIELD INDICATES THE ETCH REVISION. THE SECOND FIELD INDICATES THE NUMBER OF MODIFICATIONS TO THE BASIC BOARD.
 2. THERE WERE NO ETCH REVISION B BOARDS RELEASED TO PRODUCTION.

| REVISIONS | | REV. | | | | | | | | | | | | | | | |
|-----------|---------|---------|---|---|---|---|---|---|---|---|---|--|--|--|--|--|--|
| DATE | CHG NO. | INITIAL | A | B | C | D | E | F | H | J | K | | | | | | |
| 3-79 | | | | | | | | | | | | | | | | | |
| 4-79 | ML001 | | A | B | C | D | E | F | H | J | K | | | | | | |
| 5-79 | ML002 | | | | | | | | | | | | | | | | |
| 5-79 | ML003 | | | | | | | | | | | | | | | | |
| 7-79 | ML004 | | | | | | | | | | | | | | | | |
| 11-79 | ML006 | | | | | | | | | | | | | | | | |
| 12-79 | ML007 | | | | | | | | | | | | | | | | |
| 1-80 | ML008 | | | | | | | | | | | | | | | | |
| 4-80 | ML009 | | | | | | | | | | | | | | | | |

"THIS DRAWING AND SPECIFICATIONS, HEREIN, ARE THE PROPERTY OF DIGITAL EQUIPMENT CORPORATION AND SHALL NOT BE REPRODUCED OR COPIED OR USED IN WHOLE OR IN PART AS THE BASIS FOR THE MANUFACTURE OR SALE OF ITEMS WITHOUT WRITTEN PERMISSION.
 COPYRIGHT © 1979 DIGITAL EQUIPMENT CORPORATION



USED ON OPTION/MODEL: KDF11A

DRN: Rita Z. Bureau 28FEB79

CHK'D: *[Signature]* 3/15/79

ENG: *[Signature]* 3/15/79

PROD: *[Signature]* 3/15/79

TITLE: KDF11A CPU

SIZE: B DD CODE: M8186-0 NUMBER: M8186-0 REV. K

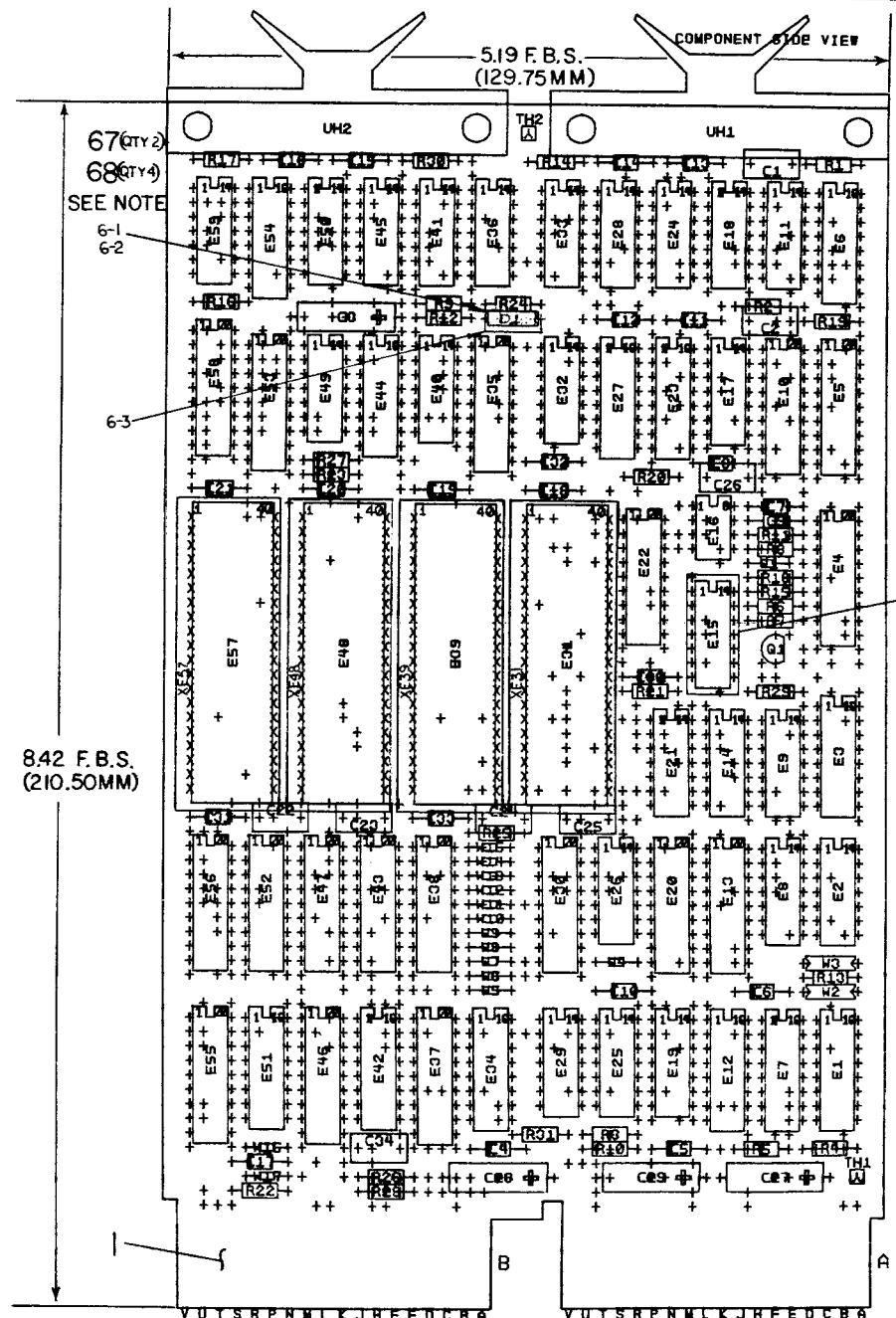
SHEET 1 OF 1

THIS DRAWING AND SPECIFICATIONS, HEREIN, ARE THE PROPERTY OF DIGITAL EQUIPMENT CORPORATION AND SHALL NOT BE REPRODUCED OR TRANSMITTED IN ANY FORM OR BY ANY MEANS, ELECTRONIC OR MECHANICAL, INCLUDING PHOTOCOPYING, RECORDING, OR BY ANY INFORMATION STORAGE AND RETRIEVAL SYSTEM, WITHOUT THE WRITTEN PERMISSION OF DIGITAL EQUIPMENT CORPORATION.
 DEPARTMENT © 1979

REWORK INSTRUCTIONS
 ECO#6

- COMPONENT DELETES:
 6-1 DELETE JUMPER W18
 COMPONENT ADDS:
 6-2 ADD DIODE D1 IN LOCATION PREVIOUSLY USED FOR W18. CATHODE IS TO THE RIGHT.
 WIRE ADDS:
 6-3 ADD WIRE FROM LEFT END OF D1 TO RIGHT END OF D1. USE RED WIRE 9105740-22. DO NOT GLUE DOWN WIRE.

| JUMPER CONFIGURATIONS | | | | | | | | | | | | | | | | | | | | | | | | | | | | | | | | | | | |
|-----------------------|-----------------------------------|---|-----------------|-------|--------|----|-------|--------|---|------------------|-----|-----|--|--|---|-------------|----|-----|--|--|---|-----------|-----|----|--|--|---|--------------------|----|----|--|--|--|--|--|
| JUMPER | NAME | FUNCTIONALITY | SHIPPING STATUS | | | | | | | | | | | | | | | | | | | | | | | | | | | | | | | | |
| W1 | MASTER CLOCK | IN = ENABLED | IN | | | | | | | | | | | | | | | | | | | | | | | | | | | | | | | | |
| W2 | RESERVED FOR DEC USE | FACTORY CONFIGURED, DO NOT CHANGE | OUT | | | | | | | | | | | | | | | | | | | | | | | | | | | | | | | | |
| W3 | RESERVED FOR DEC USE | FACTORY CONFIGURED, DO NOT CHANGE | IN | | | | | | | | | | | | | | | | | | | | | | | | | | | | | | | | |
| W4 | EVENT LINE ENABLE | OUT = ENABLED | IN | | | | | | | | | | | | | | | | | | | | | | | | | | | | | | | | |
| W5, W6 | POWER UP MODE | <table border="1"> <thead> <tr> <th>MODE</th> <th>NAME</th> <th>W5</th> <th>W6</th> <th>W5-IN</th> <th>W6-OUT</th> </tr> </thead> <tbody> <tr> <td>0</td> <td>PC @ 24, PS @ 26</td> <td>OUT</td> <td>OUT</td> <td></td> <td></td> </tr> <tr> <td>1</td> <td>CONSOLE ODT</td> <td>IN</td> <td>OUT</td> <td></td> <td></td> </tr> <tr> <td>2</td> <td>BOOTSTRAP</td> <td>OUT</td> <td>IN</td> <td></td> <td></td> </tr> <tr> <td>3</td> <td>EXTENDED MICROCODE</td> <td>IN</td> <td>IN</td> <td></td> <td></td> </tr> </tbody> </table> | MODE | NAME | W5 | W6 | W5-IN | W6-OUT | 0 | PC @ 24, PS @ 26 | OUT | OUT | | | 1 | CONSOLE ODT | IN | OUT | | | 2 | BOOTSTRAP | OUT | IN | | | 3 | EXTENDED MICROCODE | IN | IN | | | | | |
| MODE | NAME | W5 | W6 | W5-IN | W6-OUT | | | | | | | | | | | | | | | | | | | | | | | | | | | | | | |
| 0 | PC @ 24, PS @ 26 | OUT | OUT | | | | | | | | | | | | | | | | | | | | | | | | | | | | | | | | |
| 1 | CONSOLE ODT | IN | OUT | | | | | | | | | | | | | | | | | | | | | | | | | | | | | | | | |
| 2 | BOOTSTRAP | OUT | IN | | | | | | | | | | | | | | | | | | | | | | | | | | | | | | | | |
| 3 | EXTENDED MICROCODE | IN | IN | | | | | | | | | | | | | | | | | | | | | | | | | | | | | | | | |
| W7 | HALT/TRAP OPTION | IN=TRAP TO IO ₈ ON HALT OUT=ENTER CONSOLE ODT ON HALT | OUT | | | | | | | | | | | | | | | | | | | | | | | | | | | | | | | | |
| W8 | BOOTSTRAP ADDRESS | IN=POWER UP TO 173000 ₈ OUT=POWER UP TO ADDRESS SPECIFIED BY W9-W15 | IN | | | | | | | | | | | | | | | | | | | | | | | | | | | | | | | | |
| W9-W15 | USER SELECTABLE BOOTSTRAP ADDRESS | W9-W15 CORRESPOND TO ADDRESS BITS 9 THRU 15 RESPECTIVELY IN=LOGIC 1, OUT=LOGIC 0 | IN | | | | | | | | | | | | | | | | | | | | | | | | | | | | | | | | |
| W16, W17 | RESERVED FOR DEC USE | FACTORY CONFIGURED, DO NOT CHANGE | IN | | | | | | | | | | | | | | | | | | | | | | | | | | | | | | | | |
| W18 | WAKE-UP CIRCUIT | OUT = ENABLED | IN | | | | | | | | | | | | | | | | | | | | | | | | | | | | | | | | |



MODULE REWORK AT RELEASE
 ETCH CUTS - SIDE 1
 O-1 UNDER E13 BETWEEN E13-18 & E20-18
 O-2 UNDER E13 BETWEEN E13-16 & FEEDTHRU TO THE RIGHT OF E13-5

NOTES: REFER TO PARTS LISTS FOR ALL NUMBERED ITEMS.

E39 & E48 ARE SPARE IC'S

STEP E → Y AXIS 0 STEP 0 TIMES
 REPORT → X AXIS 5,250 STEP 2 TIMES

| CHANGE NO | REV | REVISION | DATE |
|-----------|-----|-----------------------------------|---------|
| 1 | D | DESIGNED & DRAWN BY: M. J. HARRIS | 5-22-79 |
| 2 | E | REWORKED BY: M. J. HARRIS | 6-11-79 |
| 3 | F | REWORKED BY: R. BADEAU | 7-15-79 |
| 4 | G | REWORKED BY: M. J. HARRIS | 7-15-79 |
| 5 | H | REWORKED BY: M. J. HARRIS | 7-15-79 |
| 6 | I | REWORKED BY: M. J. HARRIS | 7-15-79 |

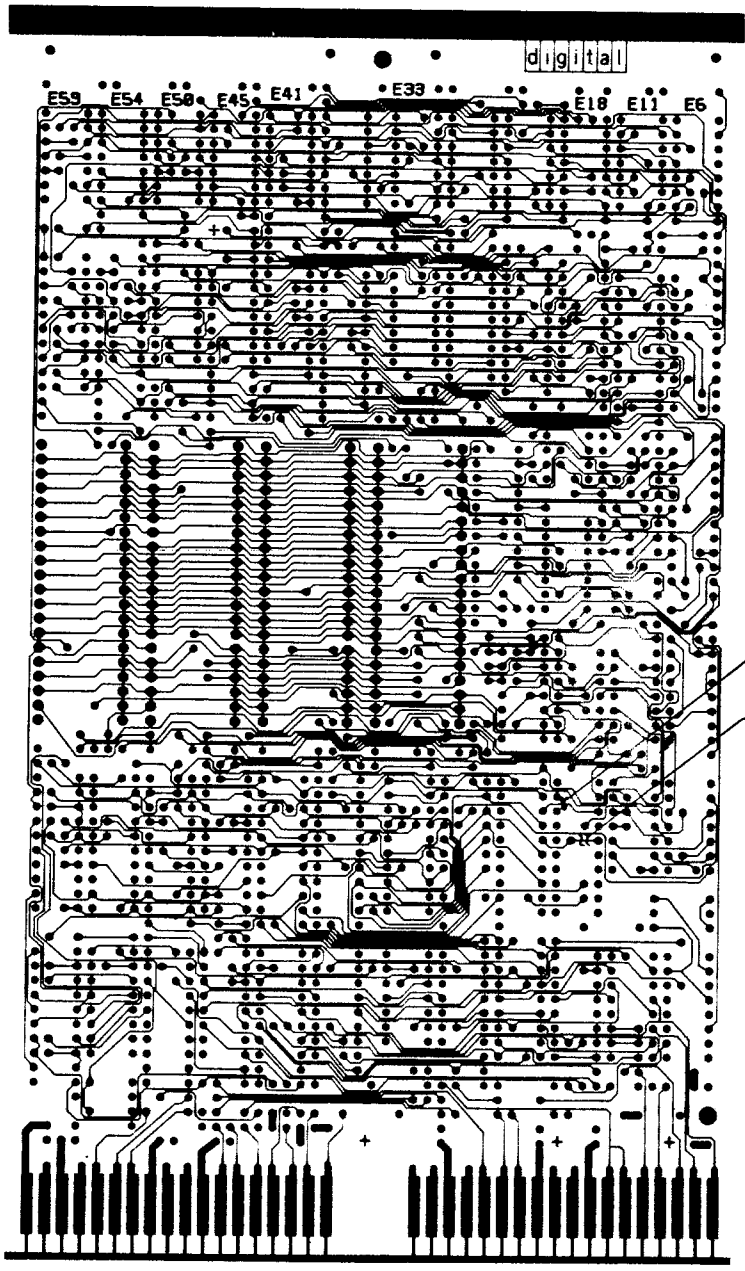
| | |
|-------------|-------------------------------------|
| ETCH REV. C | P.C. DESIGN DATABASE REV. C/REV.394 |
|-------------|-------------------------------------|

| | | |
|--------------------------------|--------------|---------------------------------|
| SIGNATURES | DATE | TITLE |
| DRN. <i>M. J. Harris</i> | 5-22-79 | digital |
| CHK. D. <i>M. J. Harris</i> | 6-11-79 | |
| MECH. ENG. <i>L. A. Jones</i> | 7-15-79 | |
| PROJ. ENG. <i>Bob Williams</i> | 7-15-79 | KDF 11 CPU |
| PROD. <i>Harold...</i> | | |
| SCALE 2/1 | SHEET 1 OF 5 | SIZE CODE NUMBER REV |
| | | d UA M8186-0-0 F |
| | | NEXT HIGHER REV. B-DD-M8186-0-0 |

THIS DRAWING AND SPECIFICATION HEREIN ARE THE PROPERTY OF DIGITAL EQUIPMENT CORPORATION AND SHALL NOT BE REPRODUCED, COPIED, USED IN WHOLE OR IN PART AS THE BASIS FOR THE MANUFACTURE OR SALE OF ITEMS WITHOUT THE WRITTEN PERMISSION OF DIGITAL EQUIPMENT CORPORATION.
 © 1979

DJA M8186-0-0 2

5013326C M8186



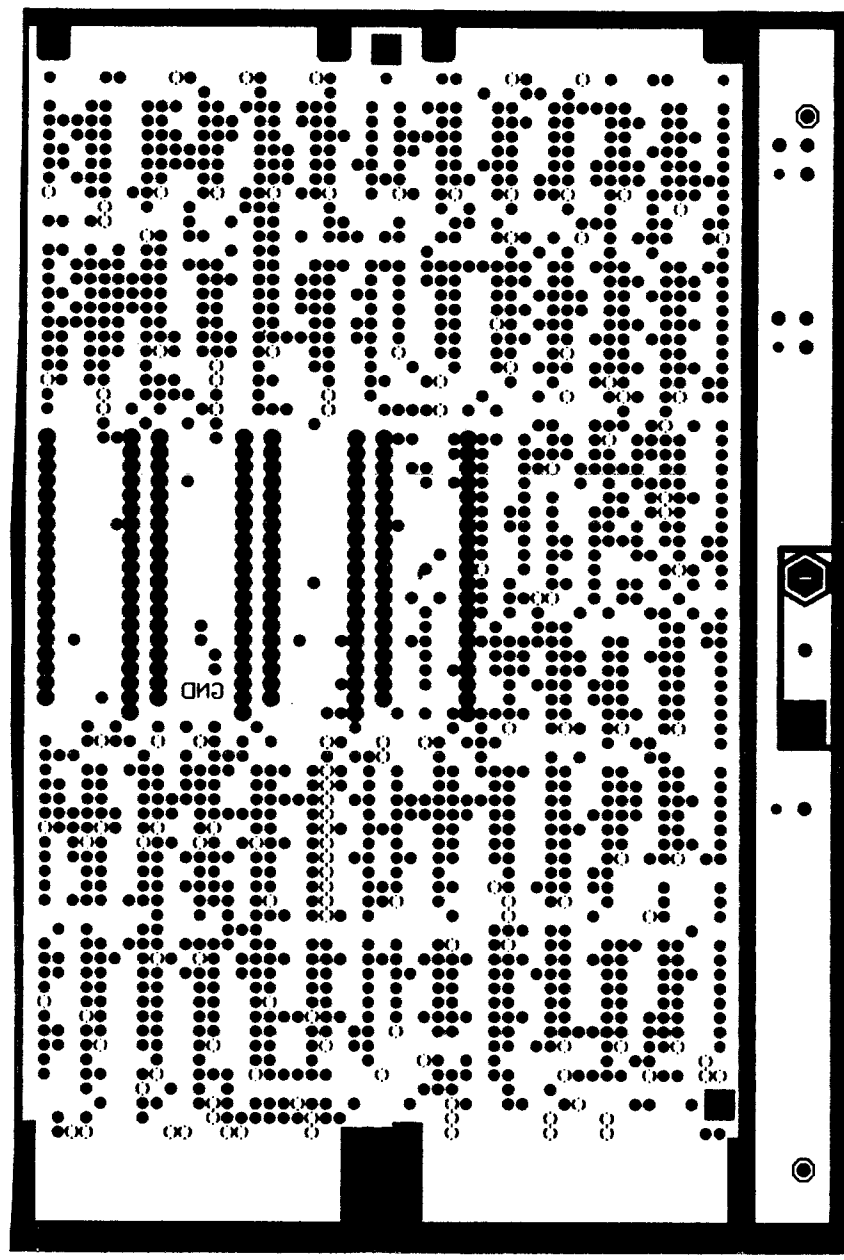
| REVISIONS | | |
|-----------|-----------|-----|
| CHK | CHANGE NO | REV |
| | | |

| | | | | | | | |
|-------|-----------|-----------|-----|--------|-----------|------|---|
| TITLE | KDF11 CPU | SIZE CODE | DJA | NUMBER | M8186-0-0 | REV | F |
| SCALE | 2/1 | SHEET | 2 | OF | 5 | DIST | |

THIS DRAWING AND SPECIFICATIONS HEREIN ARE THE PROPERTY OF DIGITAL EQUIPMENT CORPORATION AND SHALL NOT BE REPRODUCED, STORED IN A RETRIEVAL SYSTEM, OR IN ANY MANNER, WITHOUT THE WRITTEN PERMISSION OF DIGITAL EQUIPMENT CORPORATION.

L2

5013326C M8186



D
C
B
A

D
C
B
A

DJA M8186-0-0 F

| REVISIONS | | |
|-----------|------------|------|
| CHK | CHANGE NO. | REV. |
| | | |
| | | |

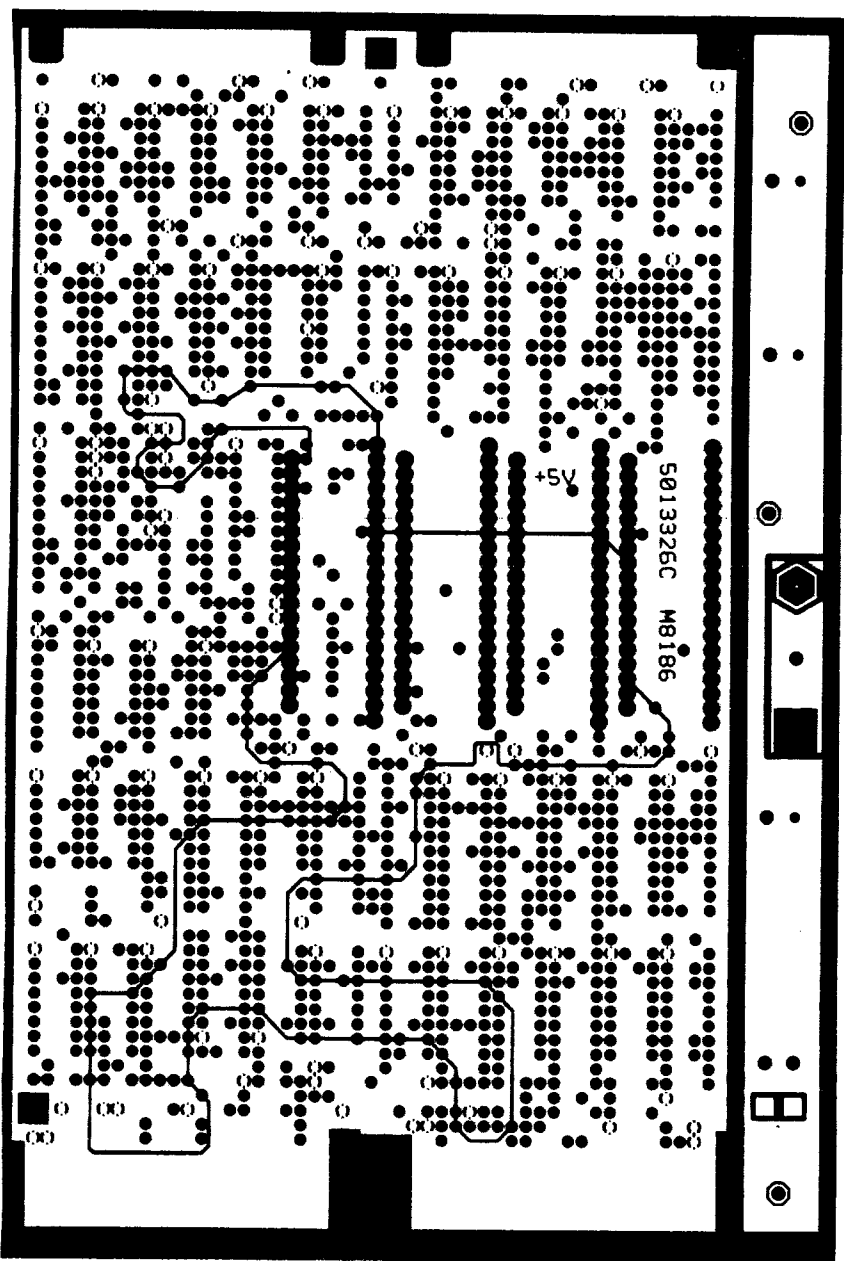
8 7 6 5 4 3 2 1

8 7 6 5 4 3 2 1

THIS DRAWING AND SPECIFICATIONS HEREIN ARE THE PROPERTY OF DIGITAL EQUIPMENT CORPORATION AND SHALL NOT BE REPRODUCED OR COPIED OR USED IN WHOLE OR IN PART AS THE BASIS FOR THE MANUFACTURE OR SALE OF ITEMS UNLESS THE WRITTEN PERMISSION IS OBTAINED FROM DIGITAL EQUIPMENT CORPORATION.

DJAM8186-0-0 F 2

E 834AJ



D
C
B
A

D
C
B
A

DJAM8186-0-0 F

| REVISIONS | | |
|-----------|-----------|-----|
| CHK | CHANGE NO | REV |
| | | |

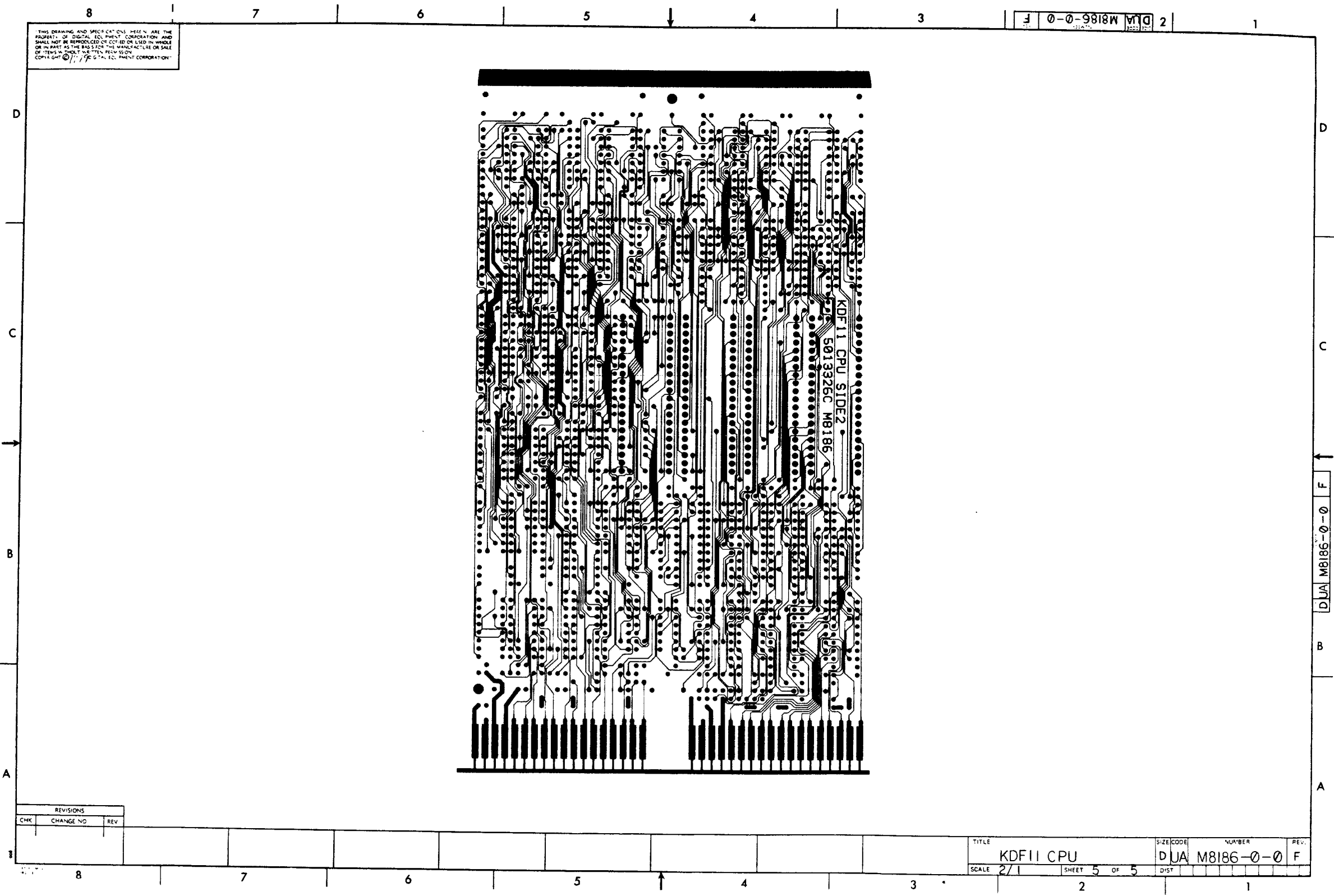
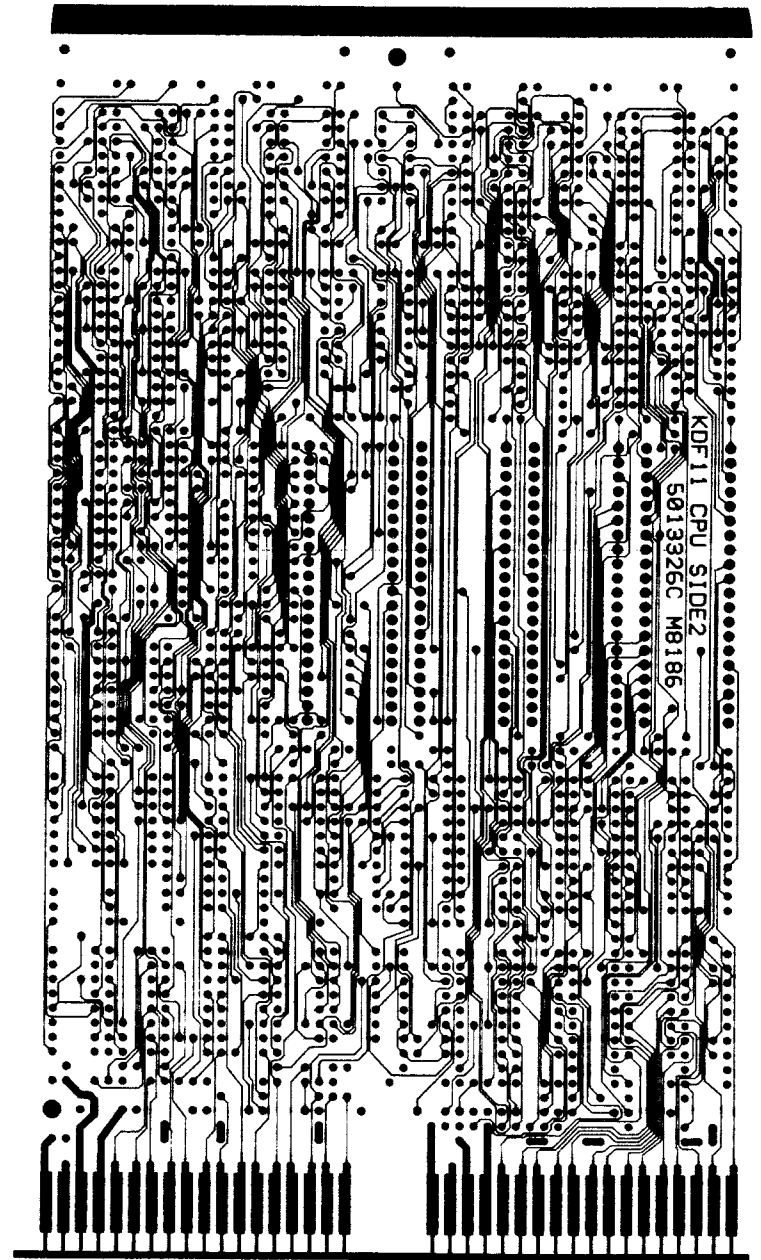
TITLE KDF11 CPU
 SCALE 2/1 SHEET 4 OF 5
 SIZE CODE DIST
 NUMBER DJAM8186-0-0
 REV F

8 7 6 5 4 3 2 1

8 7 6 5 4 3 2 1

DJA M8186-0-0 F 2

THIS DRAWING AND SPECIFICATIONS HEREIN ARE THE PROPERTY OF DIGITAL EQUIPMENT CORPORATION AND SHALL NOT BE REPRODUCED OR COPIED OR USED IN WHOLE OR IN PART AS THE BASIS FOR THE MANUFACTURE OR SALE OF ITEMS WITHOUT THE WRITTEN PERMISSION OF DIGITAL EQUIPMENT CORPORATION.

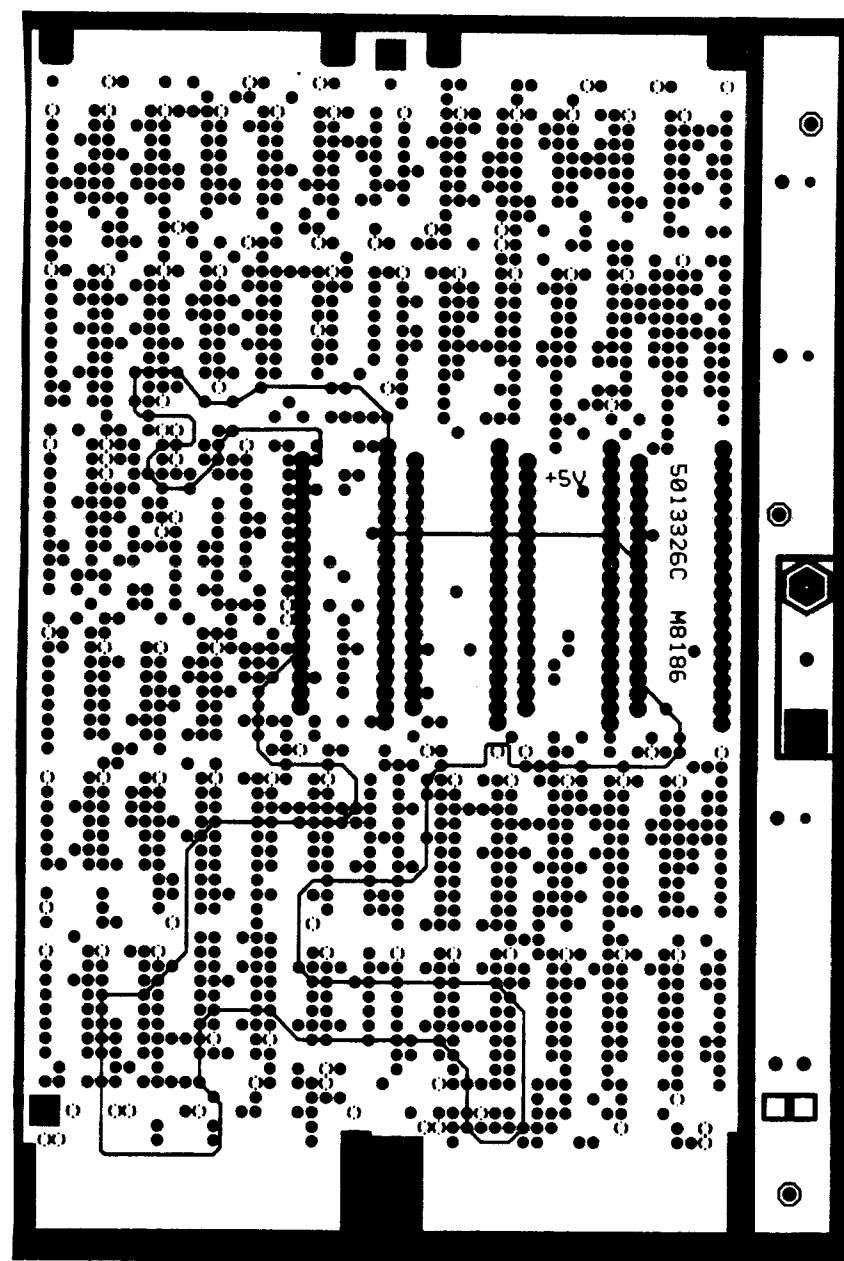


| REVISIONS | | |
|-----------|------------|------|
| CHK | CHANGE NO. | REV. |
| | | |
| | | |
| | | |
| | | |
| | | |
| | | |
| | | |

| | | | | | | | |
|-------|-----------|-----------|---------------|--------|---|-------|---|
| TITLE | KDF11 CPU | SIZE/CODE | DJA M8186-0-0 | NUMBER | F | REV. | F |
| SCALE | 2/1 | SHEET | 5 | OF | 5 | DIST. | |

THIS DRAWING AND SPECIFICATIONS HEREIN ARE THE PROPERTY OF DIGITAL EQUIPMENT CORPORATION AND SHALL NOT BE REPRODUCED OR USED IN WHOLE OR IN PART AS THE BASIS FOR THE MANUFACTURE OR SALE OF ITEMS WITHOUT THE WRITTEN PERMISSION OF DIGITAL EQUIPMENT CORPORATION.

E 934AJ



DUA M8186-0-0 2

D
C
B
A

D
C
B
A

DUA M8186-0-0 F

| REVISIONS | | |
|-----------|-----------|-----|
| CHK | CHANGE NO | REV |
| | | |

| | | | | |
|---------------|-----------|-----------|--------|-----|
| TITLE | KDF11 CPU | SIZE CODE | NUMBER | REV |
| SCALE | 2/1 | SHEET | 4 OF 5 | F |
| DUA M8186-0-0 | | DIST | | |

8 7 6 5 4 3 2 1

8 7 6 5 4 3 2 1

AUTOMATED BY PRTLST.3L(32)

PARTS LIST

SHEET A1 OF A2

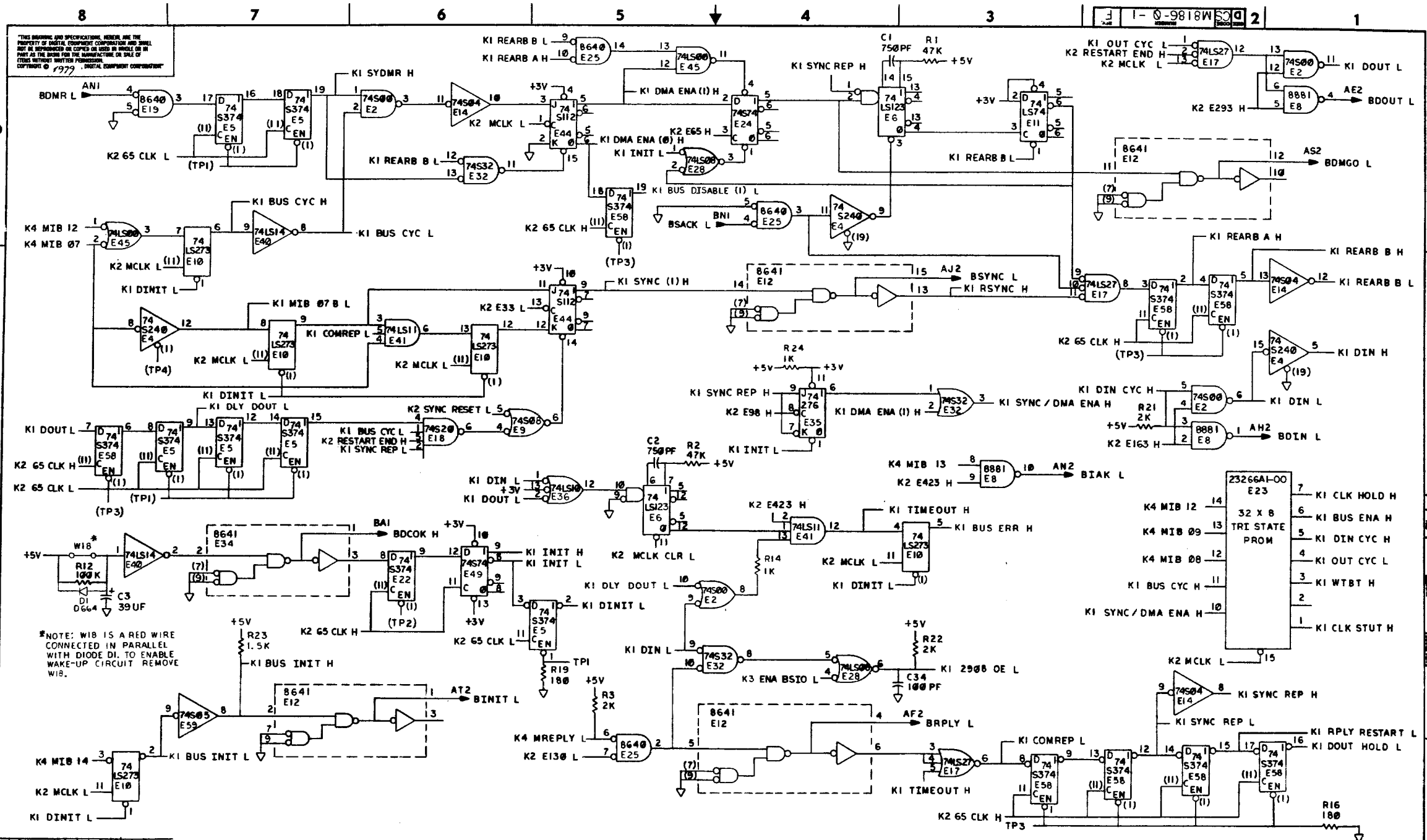
| LINE | ITEM | DOCUMENT NUMBER | PART NUMBER | DESCRIPTION | QTY PER VARIATION 00 | REFERENCE DESIGNATOR |
|------|------|-------------------|-------------|-----------------------------|-------------------------|----------------------|
| 1 | 1 | II-MU-5013326-0-0 | 5013326-00 | KDF11-CPU | 1 | |
| 2 | 2 | | 1912799-00 | LS00 NAND-GATE-QUAD 2IN,P | 1 | E45 |
| 3 | 3 | | 1910532-00 | 74S00 NAND GATE-QUAD 2IN | 1 | E2 |
| 4 | 4 | | 1912388-00 | 74S02 NOR GATE-QUAD 2IN,PO | 1 | E33 |
| 5 | 5 | | 1910534-00 | 74S04 INVERTER GATE-HEX 1I | 1 | E14 |
| 6 | 6 | | 1910535-00 | 74S05 INVERTER GATE-HEX 1 | 1 | E59 |
| 7 | 7 | | 1912805-00 | LS08 AND GATE-QUAD 2IN,PO | 1 | E28 |
| 8 | 8 | | 1912389-00 | 74S08 AND GATE-QUAD 2IN,PO | 1 | E9 |
| 9 | 9 | | 1912807-00 | LS10 NAND GATE-TRIPLE 3IN | 1 | E36 |
| 10 | 10 | | 1912808-00 | LS11 AND GATE-TRIPLE 3IN | 1 | E41 |
| 11 | 11 | | 1913414-00 | LS14 INVERTER GATE-HEX SC | 1 | E40 |
| 12 | 12 | | 1910539-00 | 74S20 NAND GATE-DUAL 4IN,PU | 1 | E18 |
| 13 | 13 | | 1912813-00 | LS27 NOR GATE-TRIPLE 3IN | 1 | E17 |
| 14 | 14 | | 1913340-00 | 74S32 OR GATE-QUAD 2IN | 1 | E32 |
| 15 | 15 | | 1910542-00 | 74S64 A-D-I GATE 4-2-3-2 | 2 | E21,E50 |
| 16 | 16 | | 1912824-00 | LS74 FF-D DUAL,EDGE TRIGG | 2 | E11,E29 |
| 17 | 17 | | 1910544-00 | 74S74 FF-D DUAL,EDGE TRIGG | 2 | E24,E49 |
| 18 | 18 | | 1912649-00 | LS75 LATCH 4BIT,BISTABLE | 1 | E27 |
| 19 | 19 | | 1910545-00 | 74S112 FF-JK DUAL,EDGE TRIG | 1 | E44 |
| 20 | 20 | | 1912837-00 | LS123 ONE SHOT-DUAL,RETRIG | 1 | E6 |
| 21 | 21 | | 1912842-00 | LS138 DECODER-THREE INPUT, | 1 | E54 |
| 22 | 22 | | 1910550-00 | 74S174 FF-D HEX | 1 | E3 |
| 23 | 23 | | 1910957-00 | 74S175 FF-D QUAD COMMON CLO | 1 | E1 |
| 24 | 24 | | 1913777-00 | LS240 DRIVER,LINE,OCTAL,T | 2 | E20,E30 |
| 25 | 25 | | 1913462-00 | 74S240 OCTAL BUFFER,INVERTI | 2 | E4,E46 |
| 26 | 26 | | 1913493-00 | 74S241 OCTAL BUFFER,TRI-STA | 1 | E13 |
| 27 | 27 | | 1915193-00 | LS244 DRIVER,LINE,OCTAL,T | 1 | E53 |
| 28 | 28 | | 1912863-00 | LS273 FF-D OCTAL W/CLEAR | 1 | E10 |
| 29 | 29 | | 1915367-00 | 74276 FF-JK QUAD | 1 | E35 |
| 30 | 30 | | 1913671-00 | 74S374 FF-D OCTAL TRISTATE | 4 | E5,E22,E38,E58 |

| REVISION HISTORY | | BASIC PART NO: M8186 | | DRN: | VIN PARECHANIAN | DATE: 18-JUN-79 | DIGITAL | | | |
|------------------|-------------|----------------------|-------------------------|------------------|-----------------|----------------------|------------------|------|-------------|-----|
| ENG | ECO NUMBER | REV | SECTION A OF A | CHK'D: | T. SHETRAWSKI | DATE: 4-SEP-79 | TITLE PARTS LIST | | | |
| --- | INITIAL | D | SECTION VARIATION INDEX | DES.ENG: | ROY BADEAU | DATE: 4-SEP-79 | DOCUMENT NUMBER | | | |
| RB | M8186-ML006 | E | [A] 00 | RESP.ENG.: | ROY BADEAU | DATE: 4-SEP-79 | SIZE | CODE | NUMBER | REV |
| MT | M8186-ML007 | F | [B] | MFG.ENG.: | AMALENDA SANYAL | DATE: 4-SEP-79 | K | PL | M8186-0-DBP | J |
| MT | M8186-ML008 | H | [C] | ASSEMBLY NUMBER: | | TOP DOCUMENT NUMBER: | FILE NAME: | | EDIT # | |
| MT | M8186-ML009 | J | [D] | D-UA-M8186-0-0 | | | Z0224J.PLS | | 21 | |
| | | | [E] | | | | | | | |
| | | | [F] | | | | | | | |
| | | | [G] | | | | | | | |
| | | | [H] | | | | | | | |
| | | | [I] | | | | | | | |
| | | | [J] | | | | | | | |
| | | | [K] | | | | | | | |
| | | | [L] | | | | | | | |
| | | | [M] | | | | | | | |
| | | | [N] | | | | | | | |

"THIS DRAWING AND SPECIFICATIONS HEREIN, ARE THE PROPERTY OF DIGITAL EQUIPMENT CORPORATION AND SHALL NOT BE REPRODUCED OR COPIED OR USED IN WHOLE OR IN PART AS THE BASIS FOR THE MANUFACTURE OR SALE OF ITEMS WITHOUT WRITTEN PERMISSION. COPYRIGHT (C) 1980, DIGITAL EQUIPMENT CORPORATION"

| LINE | ITEM | DOCUMENT NUMBER | PART NUMBER | DESCRIPTION | QTY PER VARIATION | REFERENCE DESIGNATOR |
|------|------|-----------------|-------------|----------------------------------|-------------------|-------------------------|
| | | | | | 00 | |
| 31 | 31 | | 1911469-00 | DEC 8640 RECEIVER,BUS,QUAD,U | 2 | E19,E25 |
| 32 | 32 | | 1911579-00 | 8641 TRANSCEIVER,BUS,QUA | 2 | E12,E34 |
| 33 | 33 | | 1909705-00 | DEC 8881 NAND GATE-QUAD 2IN U | 1 | E8 |
| 34 | 34 | | 1916028-01 | 9643 DRIVER,TTL TO MOS,D | 1 | E16 |
| 35 | 35 | | 1915305-00 | AM 2908 TRANSCEIVER,BUS,LATCH | 6 | E37,E43,E47,E52,E55,E56 |
| 36 | 36 | | 1812131-00 | OSCILLATOR, XTAL 13.824 MHZ | 1 | E15 |
| 37 | 37 | | 23266A1-00 | A1-07 | 1 | E23 |
| 38 | 38 | | 1311003-02 | R NETWORK 14-330 14-680 16PIN | 3 | E7,E42,E51 |
| 39 | 39 | | 1300005-02 | R NETWORK 13-6.8K 5.0 % 14PIN | 1 | E26 |
| 40 | 40 | | 1301317-00 | 10.0 .25 W 5.0 % CC | 1 | R20 |
| 41 | 41 | | 1300250-00 | 150.0 .25 W 5.0 % CC | 1 | R29 |
| 42 | 42 | | 1301322-00 | 180.0 .25 W 5.0 % CC | 4 | R15,R16,R18,R19 |
| 43 | 43 | | 1301972-00 | 270.0 .25 W 5.0 % CC | 1 | R17 |
| 44 | 44 | | 1303178-00 | 620.0 .25 W 5.0 % CC | 1 | R6 |
| 45 | 45 | | 1301424-00 | 680.0 .25 W 5.0 % CC | 6 | R4,R5,R25-R28 |
| 46 | 46 | | 1300365-00 | 1.0 K .25 W 5.0 % CC | 4 | R14,R24,R30,R31 |
| 47 | 47 | | 1300391-00 | 1.50 K .25 W 5.0 % CC | 2 | R10,R23 |
| 48 | 48 | | 1302388-00 | 2.0 K .25 W 5.0 % CC | 4 | R3,R13,R21,R22 |
| 49 | 49 | | 1300417-00 | 2.20 K .25 W 5.0 % CC | 1 | R7 |
| 50 | 50 | | 1312930-00 | 5.10 K .25 W 5.0 % CC | 1 | R11 |
| 51 | 51 | | 1302177-00 | 47.0 K .25 W 5.0 % CC | 2 | R1,R2 |
| 52 | 52 | | 1302466-00 | 100.0 K .25 W 5.0 % CC | 1 | R12 |
| 53 | 53 | | 1000016-00 | 100.0 MMF 100V 5%200FFM DM15S | 1 | C34 |
| 54 | 54 | | 1013398-00 | 750.0 MMF 100V 5%200FFMD15S | 2 | C1,C2 |
| 55 | 55 | | 1001610-00 | .01 MFD 50V +80-20% Z5UCER | 4 | C18,C19,C20,C21 |
| 56 | 56 | | 1012784-00 | .047 MFD 50V +80-20% CER | 18 | C4-C17,C30-C33 |
| 57 | 57 | | 1010274-00 | .22 MFD 50V -20+80 Z5U CER | 5 | C22-C26 |
| 58 | 58 | | 1005306-00 | 6.8MFD 35V 10% S.TANT | 1 | C29 |
| 59 | 59 | | 1004812-00 | 15 MFD 20V 10% S.TANT | 2 | C27,C28 |
| 60 | 60 | | 1000076-00 | 39 MFD 10V 10% 150D S.TA | 1 | C3 |
| 61 | 61 | | 1216116-00 | SOCKET 40PIN | 4 | XE31,XE39,XE48,XE57 |
| 62 | 62 | | 1215899-00 | CLIP,JUMPER GOLD/TIN | 15 | W1,W4-W17 |
| 63 | 63 | | 1215901-00 | CONN 36POS STRAIGHT | 1 | |
| 64 | 64 | | 1503100-00 | DEC3009B NPN 200MW SI 20 25 | 1 | Q1 |
| 65 | 65 | | 2115542-01 | *** THIS ITEM IS NOT USED *** | - | |
| 66 | 66 | | 5700000-01 | DAT/CTL HYBRID ASSY W/FP,DCF11-A | 1 | E31 |
| 67 | 67 | | 9008337-06 | HANDLE, FLIP CHIP, MAGENTA | 2 | |
| 68 | 68 | | 9006732-00 | EYELET, ROLLED FLANGE, .121 OD X | 4 | |
| 69 | 69 | | 9009185-00 | JUMPER, WIRE, INSULATED, BLACK B | 1 | W3 |
| 70 | 70 | | 1301808-00 | 22.0 K .25 W 5.0 % CC | 1 | R8 |
| 71 | 71 | | 1300496-00 | 15.0 K .25 W 5.0 % CC | 1 | R9 |
| 72 | 72 | | 1100114-00 | D 664 QS\75PCB PIV= 25V SP | 1 | D1 |
| 73 | 73 | | 9105740-22 | WIRE(WRAP)30AUG UL1423 | A/R | W18 |
| 74 | 74 | | 9010213-01 | SPACER, DUAL IN-LINE | 1 | |

| | | | | | | | | | |
|----|----|----|----|-----------|----------------|------|------|-----------------|-----|
| DI | GI | IT | AL | TITLE | SECTION A OF A | SIZE | CODE | DOCUMENT NUMBER | REV |
| | | | | KDF11 CPU | | | | MB186-0-DBP | J |

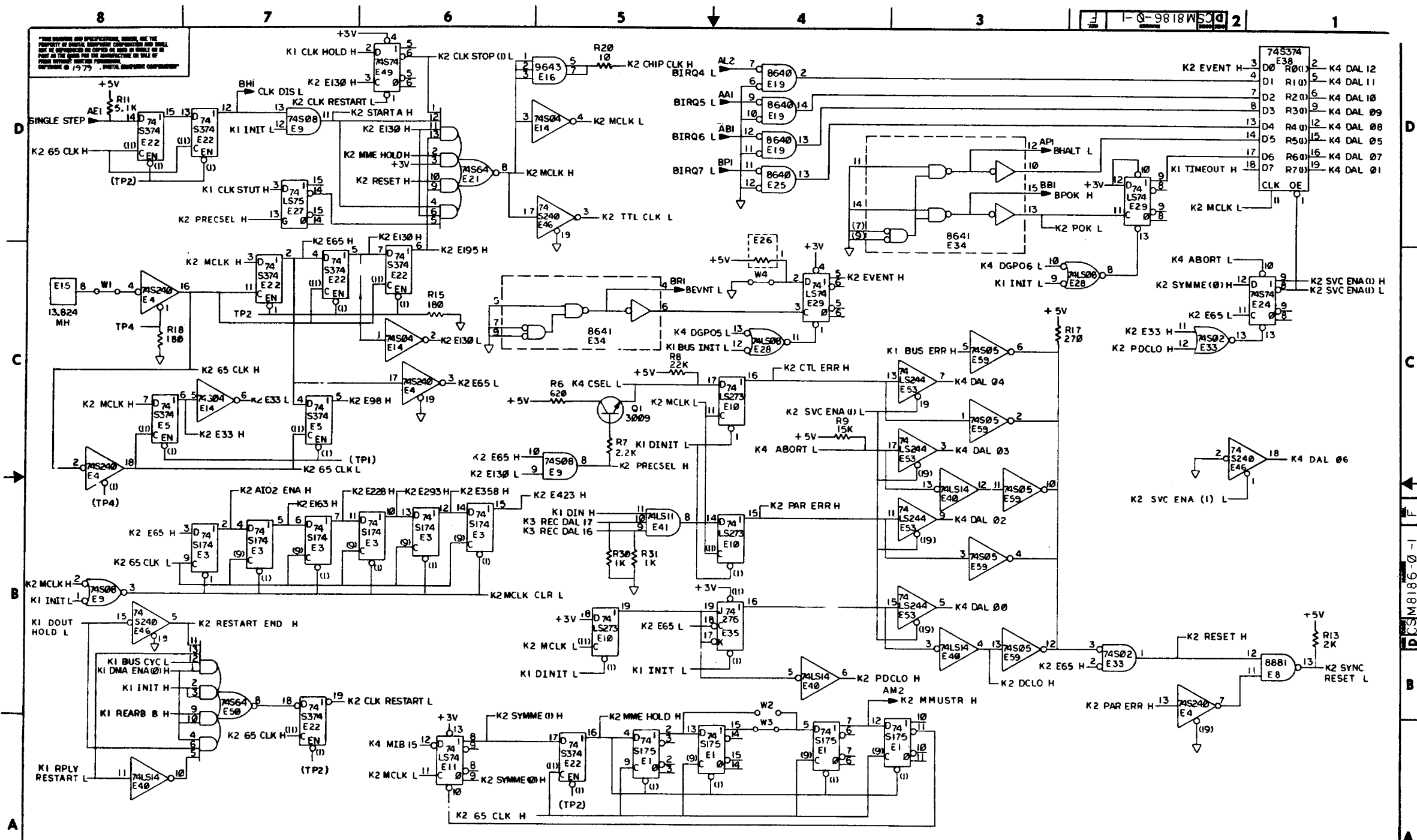


| REV. | CHG. | BY | DATE |
|------|------|----|------|
| 1 | | | |
| 2 | | | |
| 3 | | | |
| 4 | | | |
| 5 | | | |
| 6 | | | |
| 7 | | | |
| 8 | | | |

| | | | |
|------------------|---------|--------|-------------------|
| CHK'D | REVISED | DATE | BY |
| ENG. | PROJ. | PROD. | NEXT HIGHER ASSY. |
| TITLE | | | |
| KDFII-A CPU (K1) | | | |
| SIZE | | NUMBER | |
| D CS M8186-0-1 | | REV. | |
| SCALE | | SHEET | |
| 1 OF 4 | | DIST. | |

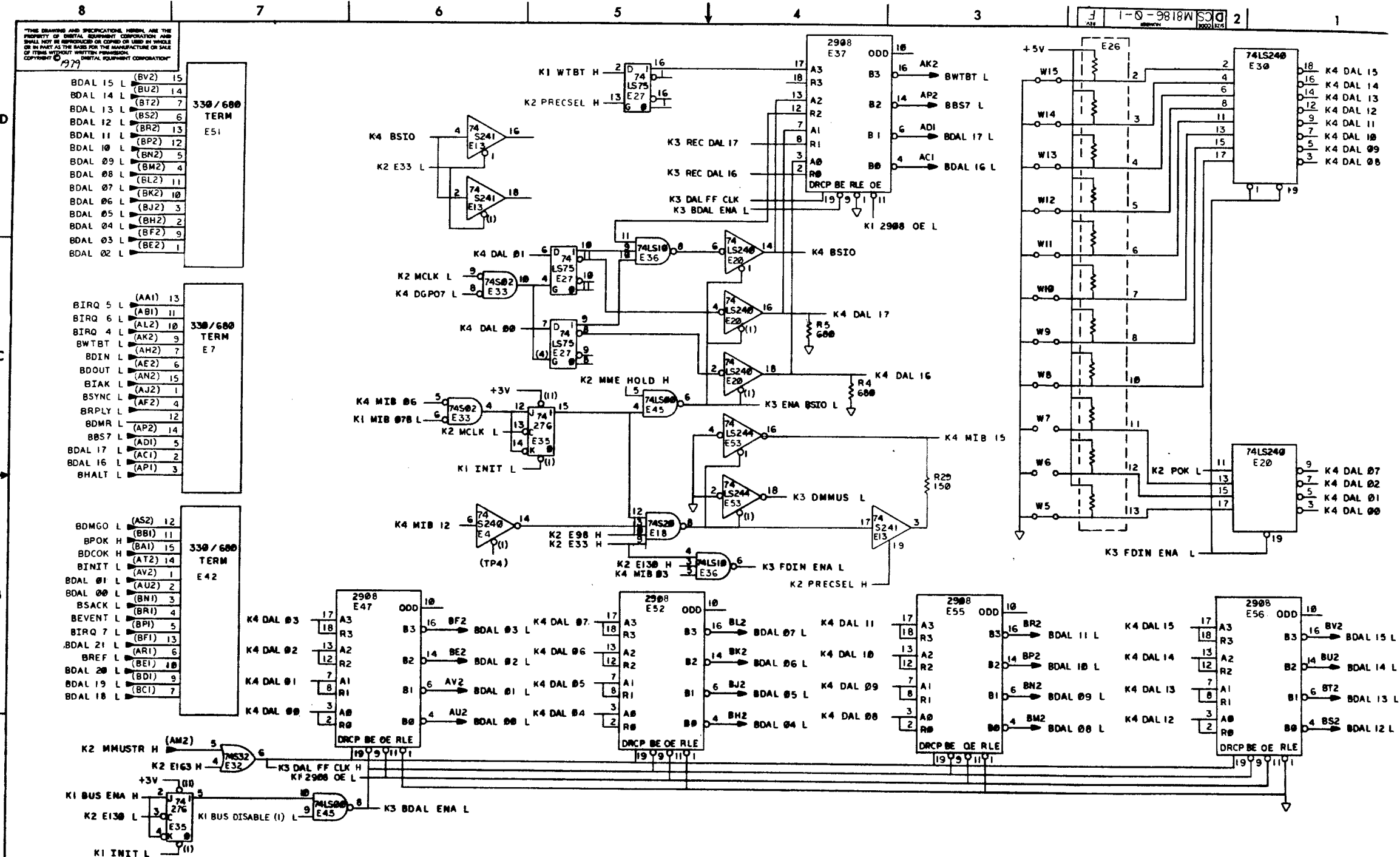
"THIS DRAWING AND SPECIFICATIONS, HEREIN, ARE THE PROPERTY OF DCS CORPORATION AND SHALL NOT BE REPRODUCED OR COPIED OR USED IN WHOLE OR IN PART IN ANY MANNER FOR THE CONSTRUCTION OR SALE OF EQUIPMENT WITHOUT THE WRITTEN PERMISSION OF DCS CORPORATION © 1979."

1-0-9818W502



| REVISIONS | | |
|-----------|------------|------|
| CHR | CHANGE NO. | REV. |
| | | |

| | | | | | | | |
|-------|--------------|-----------|----------|--------|-----------|------|---|
| TITLE | KDF11-A CPU | SIZE CODE | (K2) DCS | NUMBER | M8186-0-1 | REV. | F |
| SCALE | SHEET 2 OF 4 | | DIST. | | | | |

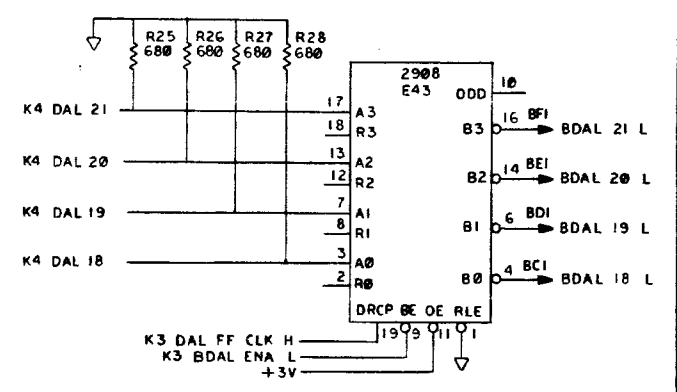
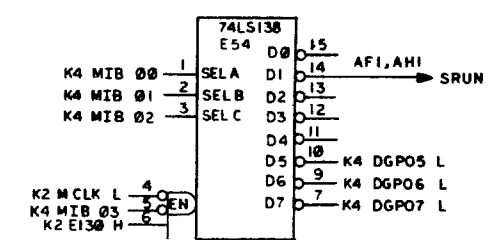
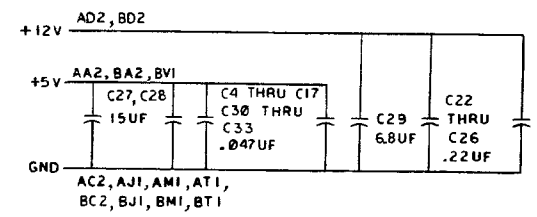
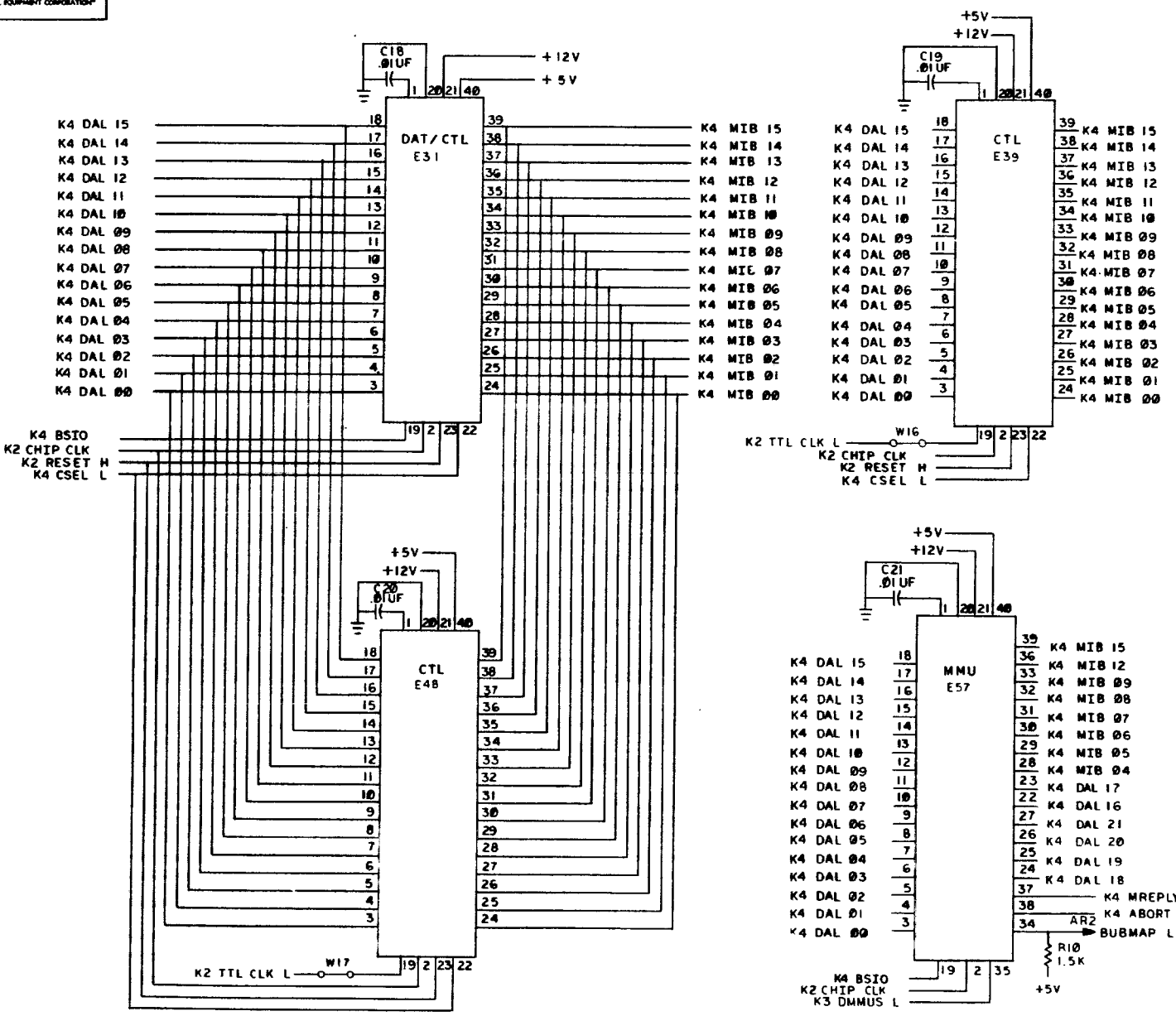


"THE DRAWING AND SPECIFICATIONS HEREIN ARE THE PROPERTY OF DIGITAL EQUIPMENT CORPORATION AND SHALL NOT BE REPRODUCED OR COPIED OR USED IN WHOLE OR IN PART AS THE BASIS FOR THE MANUFACTURE OR SALE OF ITEMS WITHOUT WRITTEN PERMISSION. COPYRIGHT © 1979 DIGITAL EQUIPMENT CORPORATION"

| REVISIONS | | | TITLE | | SIZE/NUMBER | | REV. | |
|-----------|------------|------|---------------|-------|-------------|---------------|------|-------|
| CHK | CHANGE NO. | REV. | KDF11 - A CPU | | (K3) | DCS M8186-0-1 | F | |
| | | | SCALE | SHEET | 3 | OF | 4 | DIST. |

THIS DRAWING AND SPECIFICATIONS HEREBY ARE THE PROPERTY OF DIGITAL EQUIPMENT CORPORATION AND SHALL NOT BE REPRODUCED OR COPIED OR USED IN WHOLE OR IN PART AS THE BASIS FOR THE MANUFACTURE OR SALE OF ITEMS WITHOUT WRITTEN PERMISSION. COPYRIGHT © DIGITAL EQUIPMENT CORPORATION 1979

1-0-9818 WSCD 2



| REVISIONS | | |
|-----------|-----------|-----|
| CHR | CHANGE NO | REV |
| | | |