



# ***Pentium<sup>®</sup> III Processor Power Distribution Guidelines***

**Application Note**

---

***April 1999***



Information in this document is provided in connection with Intel products. No license, express or implied, by estoppel or otherwise, to any intellectual property rights is granted by this document. Except as provided in Intel's Terms and Conditions of Sale for such products, Intel assumes no liability whatsoever, and Intel disclaims any express or implied warranty, relating to sale and/or use of Intel products including liability or warranties relating to fitness for a particular purpose, merchantability, or infringement of any patent, copyright or other intellectual property right. Intel products are not intended for use in medical, life saving, or life sustaining applications.

Intel may make changes to specifications and product descriptions at any time, without notice.

Designers must not rely on the absence or characteristics of any features or instructions marked "reserved" or "undefined." Intel reserves these for future definition and shall have no responsibility whatsoever for conflicts or incompatibilities arising from future changes to them.

The Pentium® III processor may contain design defects or errors known as errata which may cause the product to deviate from published specifications. Current characterized errata are available on request.

Contact your local Intel sales office or your distributor to obtain the latest specifications and before placing your product order.

Copies of documents which have an ordering number and are referenced in this document, or other Intel literature may be obtained by calling 1-800-548-4725 or by visiting Intel's website at <http://www.intel.com>.

Copyright © Intel Corporation, 1999

\*Third-party brands and names are the property of their respective owners.

# Contents

---

<b>1.0</b>	<b>Introduction</b> .....	7
1.1	Terminology.....	7
1.2	References .....	8
<b>2.0</b>	<b>Typical Power Distribution</b> .....	8
<b>3.0</b>	<b>Pentium® III Processor Power Requirements</b> .....	10
3.1	Voltage Tolerance .....	10
3.2	Multiple Voltages .....	11
3.3	Voltage Sequencing .....	11
3.3.1	Non-AGTL+ Signals .....	14
3.3.2	AGTL+ Signals .....	14
3.3.3	Memory Side Signals .....	14
3.3.4	PCI Side Signals .....	14
3.3.5	Clock Input .....	14
<b>4.0</b>	<b>Meeting the Pentium® III Processor Power Requirements</b> .....	15
4.1	Voltage Budgeting .....	15
4.2	Supplying Power .....	15
4.2.1	Local DC-to-DC Converters vs. Centralized Power Supply .....	17
4.2.2	AC vs. DC Input Voltage .....	17
4.2.3	Linear Regulators vs. Switching Regulators.....	17
4.3	Decoupling Technologies and Transient Response.....	18
4.3.1	Bulk Capacitance .....	20
4.3.2	High Frequency Decoupling .....	22
4.4	Power Planes or Islands.....	24
4.4.1	Location of High Frequency Decoupling .....	26
4.4.2	Location of Bulk Decoupling.....	27
4.4.3	Impedance And Emission Effects Of Power Islands .....	27
<b>5.0</b>	<b>The AGTL+ Bus Power Requirements</b> .....	27
5.1	Tolerance .....	28
5.2	Reference Voltage.....	28
<b>6.0</b>	<b>Meeting the AGTL+ Power Requirements</b> .....	29
6.1	Generating $V_{TT}$ .....	29
6.2	Distributing $V_{TT}$ .....	29
6.3	Generating and Distributing $V_{REF}$ .....	30
6.3.1	Distributing $V_{REF}$ Or $V_{TT}$ .....	32
<b>7.0</b>	<b>Recommendations</b> .....	32
7.1	$VCC_{L2}$ .....	32
7.2	$VCC_{CORE}$ .....	32
7.2.1	The Main Power Supply .....	33
7.3	$V_{TT}$ .....	34
7.3.1	Termination Resistors .....	35
7.4	$V_{REF}$ .....	35

7.5	Component Models .....	36
<b>8.0</b>	<b>Measuring Transients.....</b>	<b>37</b>
<b>9.0</b>	<b>Existing Technology for a Pentium® III Processor System Design ....</b>	<b>37</b>
9.1	Solutions for VCC_CORE .....	37
9.2	Linear Regulators for $V_{TT}$ .....	37
9.3	Termination Resistors .....	37
<b>10.0</b>	<b>Pentium® III Processor Power Distribution Network Modeling.....</b>	<b>38</b>
<b>11.0</b>	<b>Right Angle Connector Power Delivery Considerations .....</b>	<b>40</b>

## Figures

1	Ideal Pentium® III Processor Power Supply Scheme.....	8
2	Physical Power Distribution of a Pentium® III System .....	9
3	Detailed Power Distribution Model .....	9
4	Pentium® III Processor Substrate .....	11
5	SC242 Connector Power Pins, Top View (Through the SC242 Connector) .....	12
6	Voltage Sequencing Example .....	13
7	Non-AGTL+ ESD Diodes .....	13
8	AGTL+ ESD Diodes .....	13
9	System Design Model .....	16
10	Remote Sense .....	16
11	Location of Capacitance in a Power Model with a DC-to-DC Converter.....	19
12	Effect of Transients on a Power Supply .....	20
13	ESR Cylindrical Capacitor.....	20
14	Capacitor Model .....	20
15	ESR Required for Various Current Demands .....	21
16	Capacitance Required vs. ESR at 8.5A, 60 mV DV, and 30 $\mu$ s Dt .....	22
17	Baseboard Layer Definition.....	24
18	Pentium® III Processor VCC_CORE Voltage Island.....	25
19	Pentium® III Processor VCC_L2 Voltage Island .....	26
20	Capacitor Pad and Via Layouts.....	28
21	Pentium III Processor $V_{TT}/V_{REF}$ Voltage Island .....	30
22	A Simple Circuit for Generating $V_{REF}$ .....	31
23	Local Regulation .....	33
24	VCC_CORE Power Delivery Model for AC Transient Response - 66 MHz Systems .....	38
25	VCC_CORE Power Delivery Model for AC Transient Response - 100 MHz Systems .....	38
26	VCC_L2 Power Delivery Model for AC Transient Response .....	39
27	VTT Power Delivery Model for AC Transient Response .....	39



## Tables

1	Pentium® III Processor Power Delivery Models .....	9
2	Sample Low Frequency Budget .....	15
3	Efficiency of a Linear Regulator .....	18
4	Estimating $V_{TT}$ Current.....	28
5	Voltage Identification Code .....	34
6	Various Component Models used at Intel (Not Vendor Specifications).....	36



## 1.0 Introduction

As computer performance demands increase, new, higher-speed logic with increased density is developed to fulfill these needs. To reduce their overall power dissipation, modern microprocessors are being designed with lower voltage implementations. This in turn requires power supplies to provide lower voltages with higher current capability. Because of this, processor power is now becoming a significant portion of the system design, and demands special attention. Now more than ever, power distribution requires careful design practices. Pentium III processors have unique requirements for voltages supplied to them. Their bus implementation, called AGTL+, requires a voltage supply of its own.

For most personal computer designs, a power plane with a mix of high frequency and bulk decoupling capacitors spread evenly across the system board is a low-cost way to ensure sufficient power distribution. As the current differences between the low power state and the high power state increase, the cost of the power distribution system becomes significant enough to merit careful calculation. Centralized distribution of power, for example, may no longer be the most cost effective solution to power distribution.

Another side effect of lowering voltages of some components is the existence of multiple voltages within the system. On a basic Pentium III processor-based system board there will be 1.5 V for AGTL+ termination, 1.5 V to 2.0 V for the processor, 2.5 V for CMOS non-AGTL+ signals, 3.3 V for the chipset and the L2 cache, and 5 V for other components. The possibility that any of these voltages may “come up” before another must be taken into account. This is discussed in Section 3.3.

## 1.1 Terminology

“Power-Good” or “PWRGOOD” (an active high signal) indicates that all the supplies and clocks within the system are stabilized. PWRGOOD should go active some constant time after 5 V, 3.3 V, 2.5 V and VCC\_CORE are stable and should go inactive any time any of these voltages fail their specifications. The time constant should be set such that, in a working system, all clocks and other supply levels have reached a stable condition before PWRGOOD goes active.

“VCC\_CORE” is the processor core’s V<sub>CC</sub>. The VCC\_CORE voltage level varies for different Pentium III processors.

“VCC\_L2”, the Pentium III processor’s cache supply voltage, is always 3.3 V.

“AGTL+”, “Host bus”, or “System bus.” All of these references refer to the main bus the processor uses to communicate with the chipset. AGTL+, host bus, and system bus are all synonymous for the purposes of this document. The Pentium III processor system bus operates in the same manner as the Pentium II processor system bus. The Pentium III processor system bus uses a variant of GTL+ signaling technology called Assisted Gunning Transceiver Logic (AGTL+) signaling technology. AGTL+ buffers are open-drain and require pull-up resistors for providing the high logic level and termination. The processor AGTL+ output buffers differ from GTL+ buffers with the addition of an active pMOS pull-up transistor to “assist” pull-up resistors during the first clock of a low-to-high voltage transition. Additionally, the processor S.E.C.C. 2 contains pull-up resistors to provide termination at each bus load. “V<sub>TT</sub>” is the AGTL+ termination voltage for the Pentium III processor and is always 1.5 V.

“S.E.C Cartridge 2”, S.E.C.C. 2, or “Single Edge Contact Cartridge 2”, is the processor packaging technology utilized by Pentium II and Pentium III processors.

“242-Contact Slot connector”, or “SC242 connector”, is the physical interconnect that the S.E.C. cartridge plugs into, just as the Pentium Pro processor utilizes an interconnect called Socket 8.

## 1.2 References

Copies of documents which have an ordering number and are referenced in this document, or other Intel literature may be obtained by calling 1-800-548-4725 or by visiting Intel's website at <http://www.intel.com>.

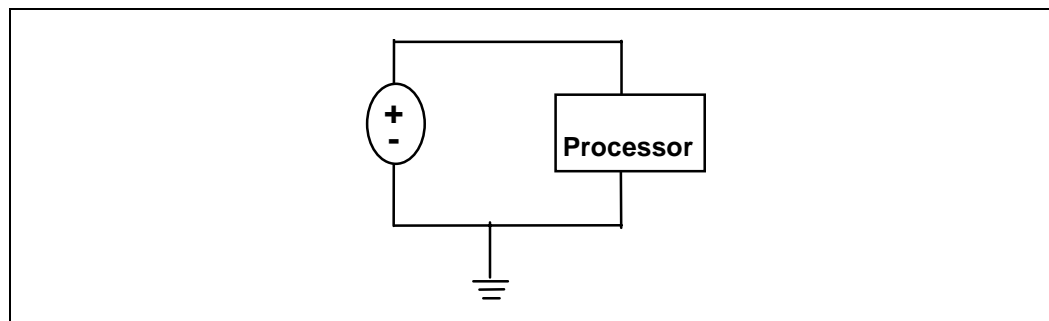
Title	Intel Order Number
<i>Pentium III Processor at 450 MHz and 500 MHz datasheet</i>	244452
<i>Pentium II Processor at 233 MHz, 266 MHz, 300 MHz and 333 MHz datasheet</i>	243335
<i>Pentium II Processor at 350 MHz, 400 MHz and 450 MHz datasheet</i>	243337
<i>VRM 8.2 DC-DC Converter Design Guidelines</i>	243773
<i>100 MHz AGTL+ Layout Guidelines for the Pentium® III Processor and Intel® 440BX AGPset</i>	243735
<i>Slot 1 Processor Power Distribution Guidelines</i>	243332
<i>Intel ATX Power Supply Design Guide</i>	can be found at <a href="http://www.teleport.com/-atx">www.teleport.com/-atx</a>
<i>NLX Power Supply Recommendations</i>	can be found at <a href="http://www.teleport.com/-nlx">www.teleport.com/-nlx</a>

## 2.0 Typical Power Distribution

Power distribution is generally thought of as *getting power to the parts that need it*. Occasionally, digital designers begin by assuming that an ideal supply will be provided, and plan their schematics with little thought to power distribution until the end. The printed circuit board (PCB) designers attempt to create the ideal supply with two power planes in the PCB or by using large width traces to distribute power. High frequency noise created when logic gates switch is controlled with high frequency ceramic capacitors, which are in turn recharged from bulk capacitors (such as tantalum capacitors). Various 'rule of thumb' methods exist for determining the amount of each type of capacitance that is required. For Pentium III processor designs, the system designer needs to reach beyond the rule of thumb and architect the power distribution system with the specifications of the Pentium III processor in mind.

Figure 1 shows the ideal power model. However, in a real SC242 connector system, the power distribution scheme typically appears as in Figure 2. This system has physical components such as cables, connectors, the PCB, and the processor package. In this figure, one can see the recommended solution involving local voltage regulator modules.

**Figure 1. Ideal Pentium® III Processor Power Supply Scheme**





To completely model this system, one must include the inductance and resistance which exists in the cables, connectors, PCB, the pins and body of components such as resistors and capacitors and the edge fingers and contacts of the processor and voltage regulator. A more detailed model showing these effects is shown in Figure 3. In the past, voltage drops due to inductance ( $V = L di/dt$ ) and resistance ( $V = IR$ ) have been nearly negligible relative to the tolerance of components in most systems. This has caused the creation of simple rules for decoupling. For example, with the current at 1 A and the tolerance at 250 mV (5% of 5 V), one could easily ignore the effects of 25 mΩ of resistance in the distribution path. However, at 10 A, this IR drop is equal to the 250 mV tolerance. Similarly, 250 pH of inductance can typically be ignored in a power distribution system, unless current transients of 1 A/ns exist, as they do when using Pentium III processors. The  $L di/dt$  drop in this case is also equal to 250 mV.

Figure 2. Physical Power Distribution of a Pentium® III System

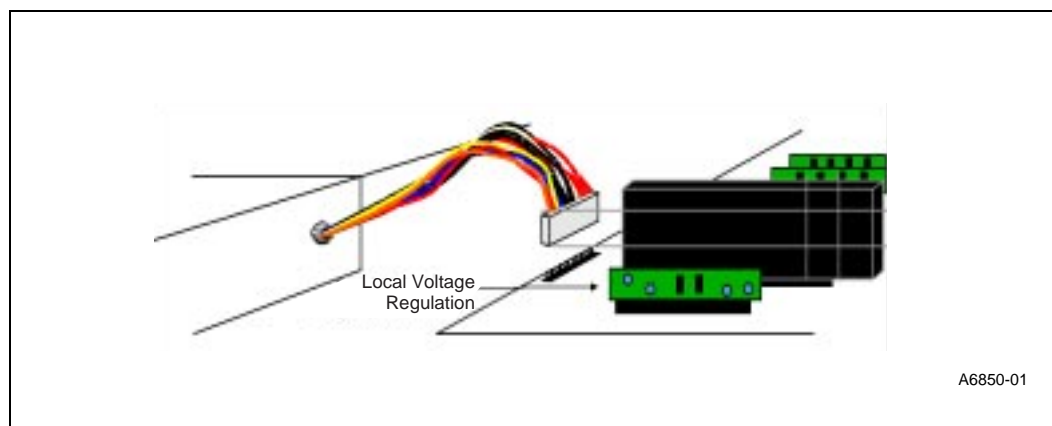


Figure 3. Detailed Power Distribution Model

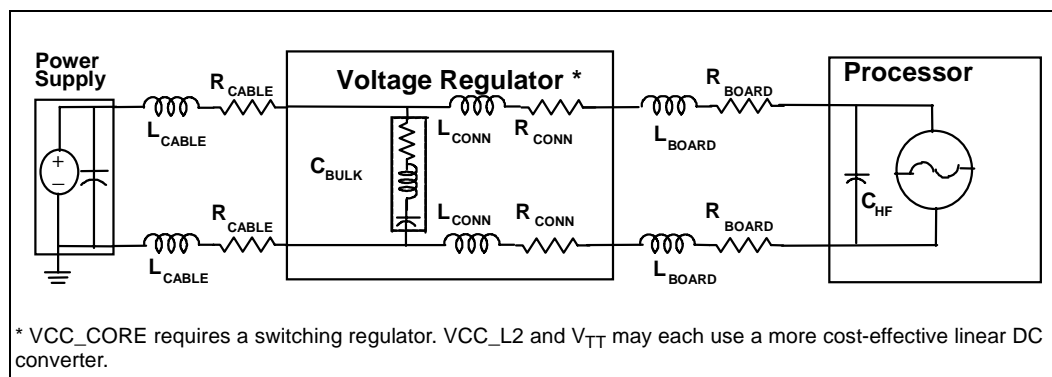


Table 1. Pentium® III Processor Power Delivery Models

Supply	Regulator Capacitance	Regulator Inductance	Regulator Resistance	Motherboard Inductance	Motherboard Resistance
VCC_CORE	6000 μF	3.0 nH	11 mΩ	0.35 nH	0.15 mΩ
VCC_L2	200 μF	2.0 nH	25 mΩ	1.0 nH	1.0 mΩ
V_TT	3000 μF	2.0 nH	25 mΩ	1.0 nH	1.5 mΩ

Section 10.0 includes the power distribution network models for VCC\_CORE, VCC\_L2, and V<sub>TT</sub> that are applicable to Pentium II and Pentium III processor S.E.C.C. designs. Table 1 contains a summary of those models.

The high value of a Pentium III processor's current and the high rate of change of the current must both be taken into account for a successful design. Section 3.0 describes the power requirements of the Pentium III processor. Section 4.0 discusses meeting these power requirements.

## 3.0 Pentium® III Processor Power Requirements

This section describes the issues related to supplying power to a Pentium III processor using approximate values from processor specifications. However, please review the appropriate datasheets that are referenced in Section 1.2, for the actual specifications.

The Pentium III processor currently operates at 2.0 V. The Pentium II processor operates at 2.8 V or 2.0 V. These supply voltages compare with 3.1 V for a Pentium Pro, 3.3 V for a Pentium processor, and 5 V for previous Intel processors.

The Pentium II and Pentium III processors require approximately three times the average current of the Pentium processor. The VCC\_CORE maximum current requirements can range from 6.9 A to nearly 18 A. In addition, these processors shut off unused units to conserve power, and include features such as Stop Clock and AutoHALT, which create load-change transients as high as 30 A per microsecond on VCC\_CORE. In this document, a load-change transient is a change from one current requirement (averaged over many clocks) to another. Future Pentium III processors may require higher current and different voltages for the processor.

System developers must terminate the AGTL+ bus at each end to a voltage source called V<sub>TT</sub>. V<sub>TT</sub> is nominally 1.5 V, with a recommended tolerance of three percent during steady state operations. This bus implementation allows up to six loads at 100 MHz or eight loads at 66 MHz. While the bus can support a higher device loading, the SC242 connector implementation is limited to three loads at 66 or 100 MHz. Just as the processor can start and stop executing within a few clock cycles, the bus usage will follow.

The following sections discuss each of these concepts. Section 5.0 and Section 6.0 discuss the AGTL+ power requirements.

### 3.1 Voltage Tolerance

To ease measurement of the VCC\_CORE supply, Intel specifies tolerances on either side of the SC242 connector; i.e., either at the input (motherboard) side of the SC242 connector or at the processor's edge fingers. For specific tolerances, review the appropriate datasheets.

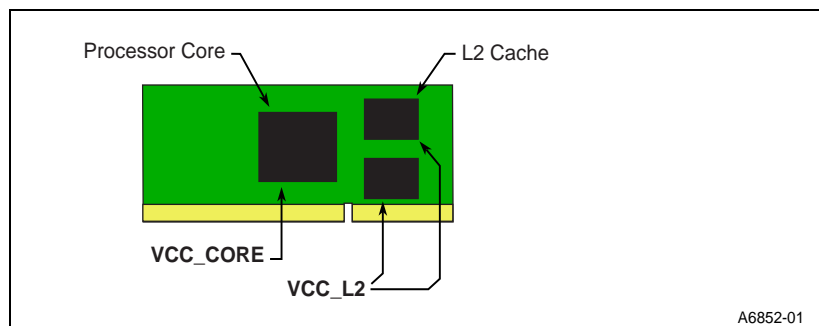
Voltage tolerances are detailed in the *Pentium III Processor at 450 MHz and 500 MHz* datasheet, the *Pentium II Processor at 233 MHz, 266 MHz, 300 MHz and 333 MHz* datasheet, and the *Pentium II Processor at 350 MHz, 400 MHz and 450 MHz* datasheet.

Failure to meet these specifications on the low end results in transistors slowing down and not meeting timing specifications. Not meeting the specifications on the high end can induce *electromigration*, causing damage or reducing the life of the processor.

## 3.2 Multiple Voltages

While the current Pentium III processor core runs at 2.0 V, the L2 cache runs at 3.3 V. Future Pentium III processors will run at different voltages. Reference Table 5 for details.

Figure 4. Pentium® III Processor Substrate



The SC242 connector pinout supports the L2 cache by including 3.3 V *cache support* pins to the package. These pins are called VCC\_L2, while the primary voltage is supplied on the VCC\_CORE pins. See Figure 5 for the location of these pins. A Pentium III processor with a discrete L2 cache requires a well decoupled 3.3 V supply be connected to the VCC\_L2 pins. Intel expects future cache current requirements not to exceed a maximum average current (over many cycles) of 1.5 A. The maximum power of a Pentium III processor is specified as the maximum power of the substrate, not by the maximum current specification of each voltage source. This is due to the fact that all components can not be run at maximum power simultaneously.

A system designer planning for upgrade potential should also be aware that future devices beyond the current Pentium II and Pentium III processors will require a VCC\_CORE other than 2.0 V. To support this level of upgrade potential, the power source for the *main* processor supply should be designed with the ability to be easily configured. Intel recommends using the processor's Voltage ID (VID) pins with a resistor tree or a digital-to-analog converter (DAC). The voltage ID scheme is described in the *Pentium III Processor at 450 MHz and 500 MHz* datasheet as well as the *VRM 8.2 DC-DC Converter Design Guidelines*. Intel has worked with power supply vendors to create replaceable voltage regulators which support voltage selection. Please see your local field applications engineer for assistance.

The AGTL+ bus also requires another voltage called  $V_{TT}$  (1.5 V). Section 5.0 discusses this voltage in further detail.

## 3.3 Voltage Sequencing

When designing a system with multiple voltages, there is always the issue of ensuring that no damage occurs to the system during *voltage sequencing*. Voltage sequencing is the timing relationship between two or more voltages, such as AGTL+ signals and VCC\_CORE. Sequencing applies when the user turns on or off the power supply, or the system enters a failure condition. Sequencing applies to the power voltage levels and the levels of certain other crucial signals.

Figure 5. SC242 Connector Power Pins, Top View (Through the SC242 Connector)

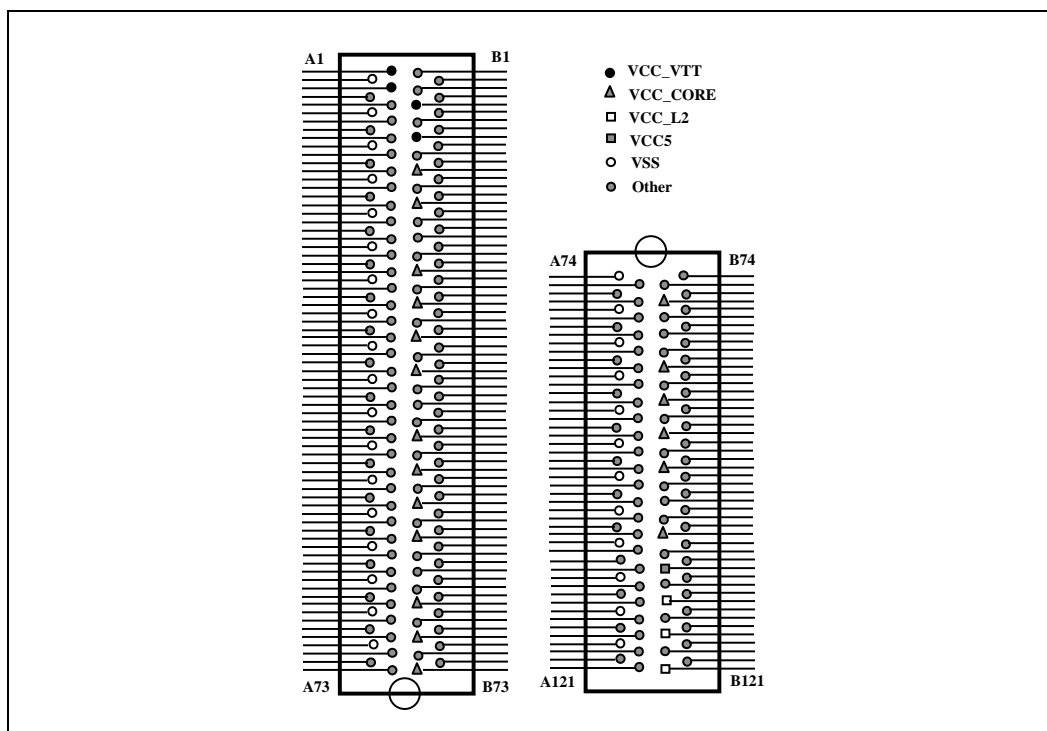
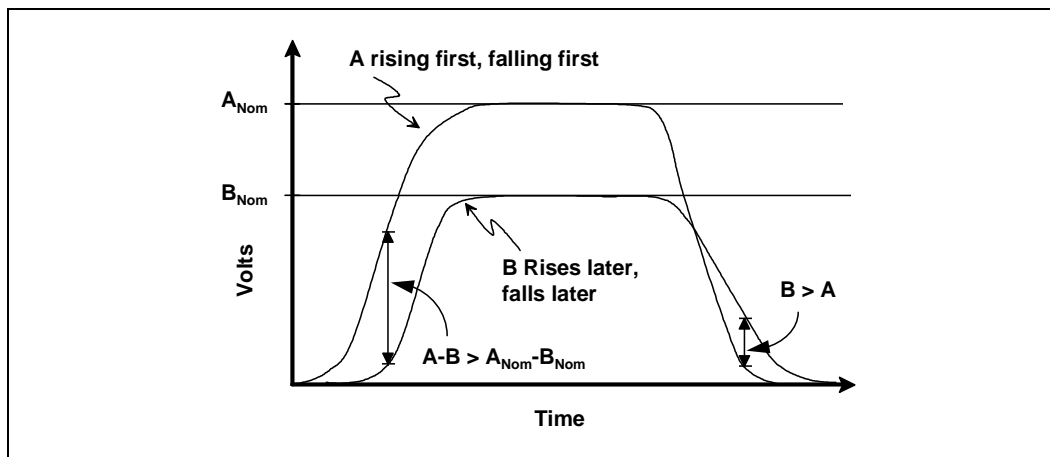


Figure 6 shows an example of power voltage sequencing. Here voltage levels A and B are shown to trade places with each other. During power on, the voltage differential between A and B may be greater than that at nominal levels. During power-off, the voltage B input may actually be higher than the voltage A input for some period of time. Intel designed Pentium III processors, the AGTL+ bus, and Intel's chipsets such that no additional circuitry is required in the power system to ensure the order of voltage sequencing. However, systems should be designed such that neither supply stays on permanently while the other is off. Excessive exposure to these conditions can compromise long term component reliability.

System designers need to be aware of motherboard devices which may be sensitive to voltage sequencing conditions. For further information, see the *Intel ATX Power Supply Design Guide* at <http://www.teleport.com/~atx/> or the *NLX Power Supply Recommendations* at <http://www.teleport.com/~nlx>.

Figure 6. Voltage Sequencing Example



The following discussion is simplified by assuming the worst case, which is one voltage is on while the other is off. See Figure 7 and Figure 8 for highly simplified models of the buffers that show the ESD protection diodes. This model is provided for discussion purposes only and is not meant to imply any implementation scheme.

Figure 7. Non-AGTL+ ESD Diodes

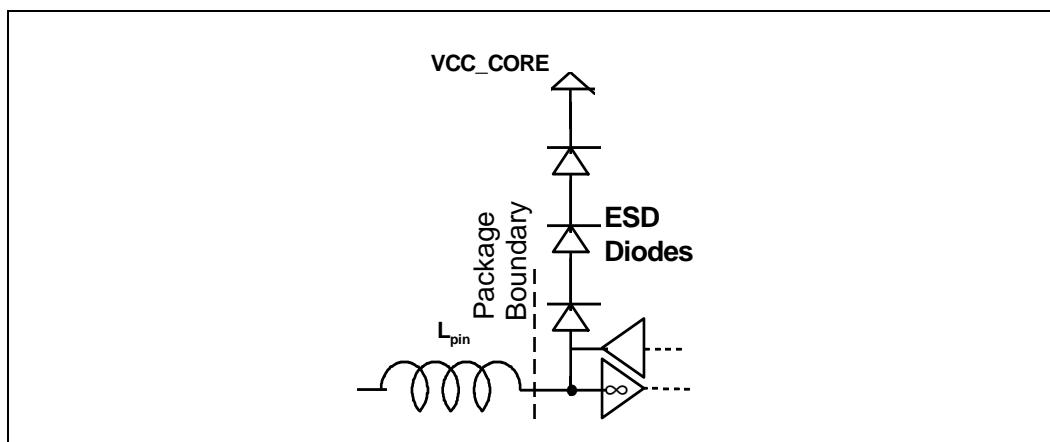
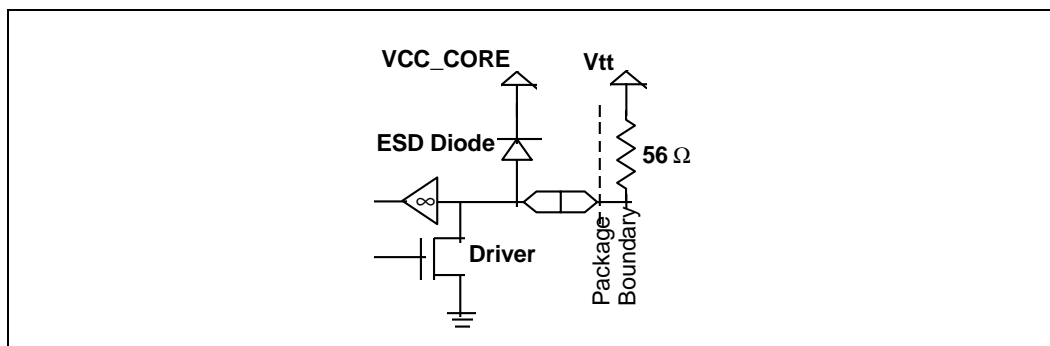


Figure 8. AGTL+ ESD Diodes



### 3.3.1 Non-AGTL+ Signals

The non-AGTL+ buffers are open drain. When the VCC\_CORE supply is on, and the non-AGTL+ supply (2.5 V) is off, the ESD protection diodes of the buffers are reverse biased and no power is supplied to the signal lines. As the processor sees RESET#, the outputs switch to the high or inactive state so bus contention after 2.5 V comes up is avoided.

If the 2.5 V supply is on while the VCC\_CORE supply is off, the 2.5 V supply delivers current to the Pentium III processor core through the string of three ESD protection diodes connecting the pads to VCC\_CORE. If a pull-up is used for the high level of the signals, then 150 ohms will allow a maximum of only 5 mA of current to be supplied to the core per pad cell. If the inputs are driven by a CMOS output, then the current from the output should be limited to 200 mA maximum output current per Pentium III processor pin.

### 3.3.2 AGTL+ Signals

The AGTL+ outputs are also open drain. When the VCC\_CORE supply is on and  $V_{TT}$  is off, all inputs appear low and there will be no current flowing on the AGTL+ bus.

If  $V_{TT}$  is on and VCC\_CORE is off, the AGTL+ bus attempts to power up the core through the ESD protection diode. The resulting VCC\_CORE level will be low enough that no significant current will be consumed by the core.

*Note:* Every device on the bus must have power for the AGTL+ bus to operate properly.

### 3.3.3 Memory Side Signals

Intel's chipset's 5 V tolerant signals are internally buffered in a similar manner. When using 3.3 V DRAM there are no memory side sequencing issues. When the 5 V supply is on to 5 V DRAM and the 3.3 V memory controller supply is off, the CAS lines may float. This could cause the DRAM to drive 5 V signals to a component that has no voltage applied. The system should provide weak pull-ups to 5 V on the CAS lines to prevent the 5 V DRAM devices from driving 3.3 V inputs when there is no power to the memory controller.

By providing the memory controller with the PWRGOOD signal, it will drive the CAS lines of the DRAM inactive, and reset the data buffers as soon as it receives 3.3 V. This holds the DRAM outputs off and keeps the chipset buffer components in reset during a period of power supply stabilization. This includes a poor  $V_{TT}$  that would prevent the AGTL+ bus RESET# signal from being created correctly. This action protects these devices from producing bus contention between themselves.

### 3.3.4 PCI Side Signals

PCIRST# tells all PCI devices to remain in a tri-state condition. The PCI bus controller holds this signal active when the bus controller receives power and its PWR\_OK signal is inactive. The PCI bus controller also tri-states its outputs during this time. In addition, the PCI inputs use a 5 V input for their ESD protection. This eliminates any issue with turning on its ESD diodes.

### 3.3.5 Clock Input

The clock input frequency must never exceed the intended final value while the PWRGOOD signal to the processor is active. (See terminology in Section 1.1)

PWRGOOD should be inactive anytime that VCC\_CORE, 2.5 V, or VCC\_L2 are invalid. This can be accomplished by logically OR-ing a ‘power good’ signal from the supplies, and connecting this output to the chipset and the Pentium III processor’s PWRGOOD input for reset generation. (In this case, ‘power good’ is a signal from each supply that indicates stable voltage levels that are within tolerance.)

## 4.0 Meeting the Pentium® III Processor Power Requirements

Pentium III processor power supply design requires trade-offs between power supply, distribution and decoupling technologies. This section discusses how to do a step by step design of a system using the more accurate power distribution model shown in Figure 3.

### 4.1 Voltage Budgeting

Before beginning the design of a power distribution system one must have an idea of how to budget the tolerance specifications for each of the components involved. This provides a target for each component and helps reduce iterations to reach a solution.

The high frequency decoupling found on the Pentium III processor eliminates the need to calculate a high frequency budget.

**Table 2. Sample Low Frequency Budget**

Component	LF Budget (mV)
Regulator Set Point Tolerance	-25
Bulk Capacitance ESR/ Capacitance Sag	-60
Resistive Losses in Board	-10
Ripple, Noise	-10
SC242 Connector	-20
<b>Total</b>	<b>-125</b>

Table 2 provides an estimation of the effects of the factors that system designers need to consider when calculating a low frequency voltage budget.

### 4.2 Supplying Power

The power distribution system starts with the source of power, or the power supply. A central power supply unit may create the required voltages. Another option, local regulation, may create the voltages closer to the load. The section below discusses the tradeoffs involved.

Due to higher current requirements and in order to maintain power supply tolerance, the Pentium III processor requires local regulation. A DC loss occurs over the power distribution system due to the resistance of such things as cables, power planes, and connectors. Local regulation provides the most effective means to overcome these losses.

The formula  $\Delta V = I \times R$  represents this loss. Where  $\Delta V$  is the voltage loss,  $I$  is the current and  $R$  is the effective resistance of the distribution system. In a system with consistent current demand, setting the voltage slightly higher than the nominal value overcomes resistance of the distribution system. This ensures that the voltage at the farthest reaches of the system remains within specification. However, in systems where current can change significantly between a high and a low state (i.e.  $\Delta I$  is high),  $\Delta V$  changes significantly as well. The formula  $\Delta V = \Delta I \times R$  represents this change in voltage. The tighter tolerance specification of Pentium III processors make this loss significant.

Intel recommends local regulation (the use of a supply or regulator near the load) to create the voltage needed. For example, a local DC-to-DC converter, placed close to the load, converts a higher DC voltage to a lower level using either a linear or a switching regulator. Distributing lower current at a higher voltage to the converter minimizes unwanted losses ( $I \times R$ ). (Power companies use this same method in high tension lines to distribute electricity from the generating source to local residential use.) More importantly however, a discrete regulator regulates the voltage locally which minimizes DC line losses by eliminating  $R_{CABLE}$  and reducing  $R_{BOARD}$  on the processor voltage.

Power supplies with remote sense may work if local regulation is not appropriate. A power supply typically regulates the voltage at its terminals before cabling to the board. Again, changing distribution losses based on the current demand make it difficult to hold a tight tolerance at the load. A remote sense, shown in Figure 10, may solve this problem by running a separate connection from near the load to the feedback loop of the power supply. The feedback loop has very low current draw (in the microamp range) and does not suffer from the line losses described above. This allows the supply to regulate its output based on the voltage level at the load that is affected by the line losses. Remote-sense supplies suffer from added inductance due to cabling to a power supply and noise induced in the remote sense feedback signal. Section 4.3 explains this issue. The system designer must also deal with finding a representative load point that applies for all processors in a multi-processor system.

Figure 9. System Design Model

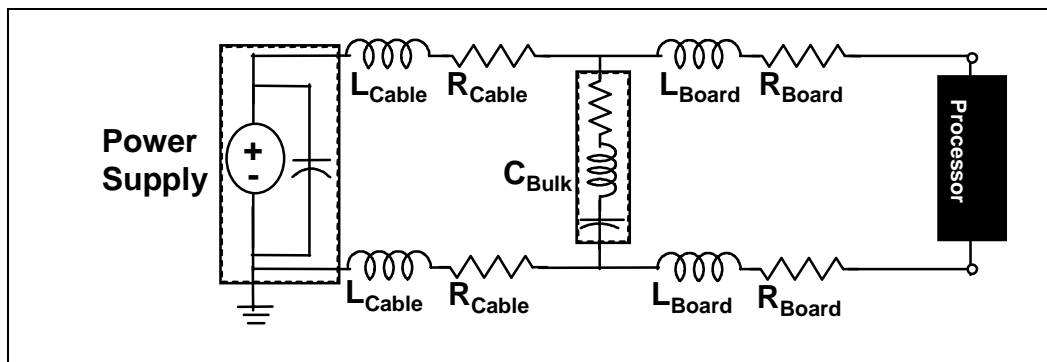
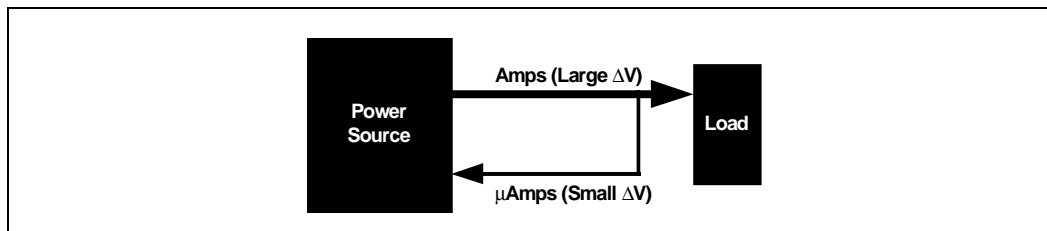


Figure 10. Remote Sense





Either method of regulation can easily maintain  $\pm 2\%$  accuracy, plus a small ripple and noise budget, under a *stable* load. However, the further demands of a Pentium III processor tax the abilities of a remote-sense supply. The large current transients of a Pentium III processor means that the system designer must exercise extreme care to eliminate noise coupling and ringing when using remote sense feedback.

#### 4.2.1 Local DC-to-DC Converters vs. Centralized Power Supply

Most desktop computers today utilize a self-contained multiple output power supply. This convenient and cost effective strategy isolates the issues of power generation from the system designer and allows the creation of a large reusable sub-system. However, lower operating voltages and increased transient response make long bus distribution schemes and self-contained supplies less suitable due to the resistance and inductance of the distribution scheme. The use of distributed local DC-to-DC converters provides another alternative.

Distributed local DC-to-DC converters improve upgrade potential. Sockets allow these converters to be added or replaced as required. Furthermore, self-adjusting regulators meet the varying needs of the processor socket.

While the decision lies in the hands of the system designer, Intel recommends the use of local regulators. Converter sockets meeting the specifications in the *VRM 8.2 DC-DC Converter Design Guidelines*, or future VRM design guides, can then be installed by each empty Pentium III processor socket to provide an inexpensive upgrade strategy. A socketed regulator or a regulator with selected output levels can power Pentium III processors.

#### 4.2.2 AC vs. DC Input Voltage

The new Pentium III processor DC voltage can be created directly from the line voltage or from a low voltage AC or DC tap of the central power supply.

Creating a DC voltage from an AC voltage is generally *easier* than converting from one DC level to another. A DC-to-DC voltage converter must first *chop* a DC voltage in order create an alternating voltage before the converter can step that voltage up or down. Typically however, PC power supplies today do not provide AC voltage taps to the system.

Creating the additional DC voltage from the line voltage requires the addition of an extra winding to the line transformer. This incurs additional costs and suffers from issues of distribution explained in the next sections. Changing the output voltage in this system requires changing the transformer, which makes the design less versatile.

Creating the additional DC voltage from an existing DC voltage requires a DC-to-DC converter. These converters work well in PC systems as they can work off of the existing 5 V or 12 V taps of typical PC power supplies, and can be manufactured in high volumes. System designers can place DC-to-DC converters near the Pentium III processor (thus reducing distribution loss) or design them into the existing power supply case. They can also design DC-to-DC converters to have selectable output voltages, as well.

#### 4.2.3 Linear Regulators vs. Switching Regulators

A linear regulator drops a variable voltage across itself in order to maintain an output voltage within tolerance regardless of load changes (within its specifications). Due to their simplicity, linear regulators respond to load changes fairly quickly (about 1 $\mu$ s response time). A linear regulator's efficiency drops off as the input voltage and output voltage become farther separated as evidenced in Equation 1.

### Equation 1. Loss Within a Linear Regulator

$$P_{LOSS} \approx (V_{IN} - V_{OUT}) \times I$$

The older linear regulator designs require a minimum drop from the input to the output of about a diode drop (0.5 V to 1.0 V), making it impossible to have small changes from  $V_{IN}$  to  $V_{OUT}$ . Many linear designs today utilize low dropout controllers coupled with FETs which require only  $I \times \text{FET-RDS}$  (Resistance Drain-to-Source) for a input to output drop.

The formula **efficiency** =  $V_{OUT}/V_{IN}$  approximates the efficiency of a linear regulator. Table 3 illustrates the significant power loss and poor efficiency of a linear regulator for a  $V_{IN}$  of 5 V and a fixed output current of 10 amps.

**Table 3. Efficiency of a Linear Regulator**

$V_{OUT}$	Efficiency with $V_{IN}$ of 5 V	Power Loss at 10 Amps
3.3	66%	17W
2.8	56%	22W
2.5	50%	25W
2.0	40%	30W
1.6	32%	34W

Linear regulators tend to have faster reaction times than switching regulators. However, due to the high power loss of the linear regulator, designers should consider switching regulators for the high output current ratings required by Pentium III processors. A 2.8 V switching regulator can achieve 80% efficiency at 10 A.

A switching regulator first *chops* the input voltage to make it *AC-like*. The faster it switches or chops, the faster the converter's reaction time. A faster reaction time reduces capacitance requirements. Low end switching regulators operate at a 100 kHz switching rate, while high end devices start at 1 MHz.

## 4.3 Decoupling Technologies and Transient Response

As shown earlier, inductance is also an issue in distribution of power. The inductance of the system due to cables and power planes further slows the power supply's ability to respond quickly to a current transient.

Decoupling a power plane can be broken into several independent parts. Figure 11 shows each of the locations where capacitance could theoretically be applied. The closer to the load the capacitor is placed, the more inductance that is bypassed. By bypassing the inductance of leads, power planes etc., less capacitance is required. However, closer to the load there is less room for capacitance. Therefore trade-offs must be made.

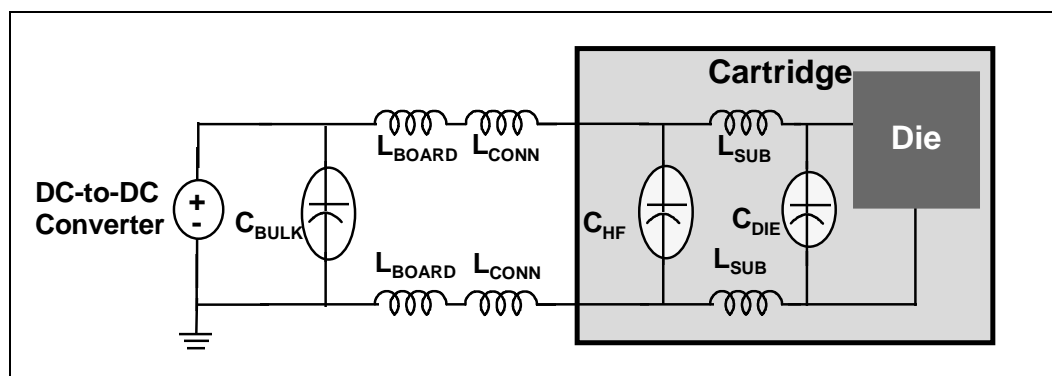
Typically a digital component causes switching transients. These sharp surges of current occur at each clock edge and taper off by the end of the cycle. Intel designed the Pentium III processor such that it manages the highest frequency components of the current transients. Intel accomplished this by adding capacitance to the S.E.C. cartridge ( $C_{HF}$ ) as well as directly on the die ( $C_{DIE}$ ). To lower SC242 connector and substrate inductance ( $L_{CONN}$  and  $L_{SUB}$ ) as well as the board inductance

( $L_{BOARD}$ ), the Pentium III processor core is designed with approximately 30 ground pins and 26 power pins. These processor design considerations reduce the current slew rate to the order of  $20A/\mu s$  ( $30A/\mu s$  for Pentium II processor).

**Note:** The voltage regulator designer will need to determine if they intend to support Pentium II, Pentium III, or both processors as the voltage, current and di/dt requirements vary for these processor families.

Pentium III processors require no external high frequency capacitance, since  $C_{HF}$  is sufficient to lower the di/dt to  $20A/\mu s$ . Note that  $20A/\mu s$  is only for the processor  $VCC\_CORE$ .  $VCC\_L2$  and  $V_{TT}/V_{REF}$  (AGTL+) have a different maximum di/dt (please refer to the datasheet for specifics). Larger bulk storage ( $C_{BULK}$ ), such as electrolytic capacitors, supply current during longer lasting changes in current demand by the component, such as coming out of an idle condition. Similarly, they act as a storage well for current when entering an idle condition from a running condition.

**Figure 11. Location of Capacitance in a Power Model with a DC-to-DC Converter**



All this power bypassing is required due to the relatively slow speed at which a power supply or DC-to-DC converter can react. A typical voltage converter has a reaction time on the order of 1 to  $100 \mu s$  while the processor's current transients are on the order of 1 to 20 ns. Bulk capacitance supplies energy from the time the high frequency decoupling capacitors are drained until the power supply can react to the demand. More correctly, the bulk capacitors in the system slow the transient requirement seen by the power source to a rate that it is able to supply, while the high frequency capacitors slow the transient requirement seen by the bulk capacitors to a rate that they can supply. Figure 12 shows a poorly controlled supply versus a well-controlled supply during an increase in current demand. Notice how the poorly controlled supply dips below the allowed tolerance specification. A similar situation exists as the current demand decreases.

A load-change transient occurs when coming out of or entering a low power mode. For the Pentium III processor this load-change transient can be on the order of 15.3 A or more. These are not only quick changes in current demand, but are long lasting average current requirements. This occurs when the STPCLK# pin is asserted or de-asserted and during AutoHALT. The processor in general goes from Stop-Clock to a high power state automatically. AutoHALT is a low power state that the processor enters when the HALT op-code is executed. Note that even during normal operation the current demand can still change by as much as 7 A or more as activity levels change within the processor component.

Maintaining voltage tolerance, during these changes in current, requires high-density bulk capacitors with low Effective Series Resistance (ESR). Use thorough analysis when choosing these components.

### 4.3.1 Bulk Capacitance

To understand why just adding more capacitance is not always effective, one must consider the ESR of the capacitance being added. This is the inherent resistance of the capacitor plate material. One way to understand where ESR comes from, and how to recognize a low ESR capacitor, is to analyze a cylindrical capacitor. By unrolling the metal of the capacitor it appears as a sheet. This sheet has some linear resistance in  $\Omega/\text{inch}$ . A longer sheet (bigger diameter capacitor) increases ESR. A wider sheet (taller capacitor) decreases the ESR.

Figure 12. Effect of Transients on a Power Supply

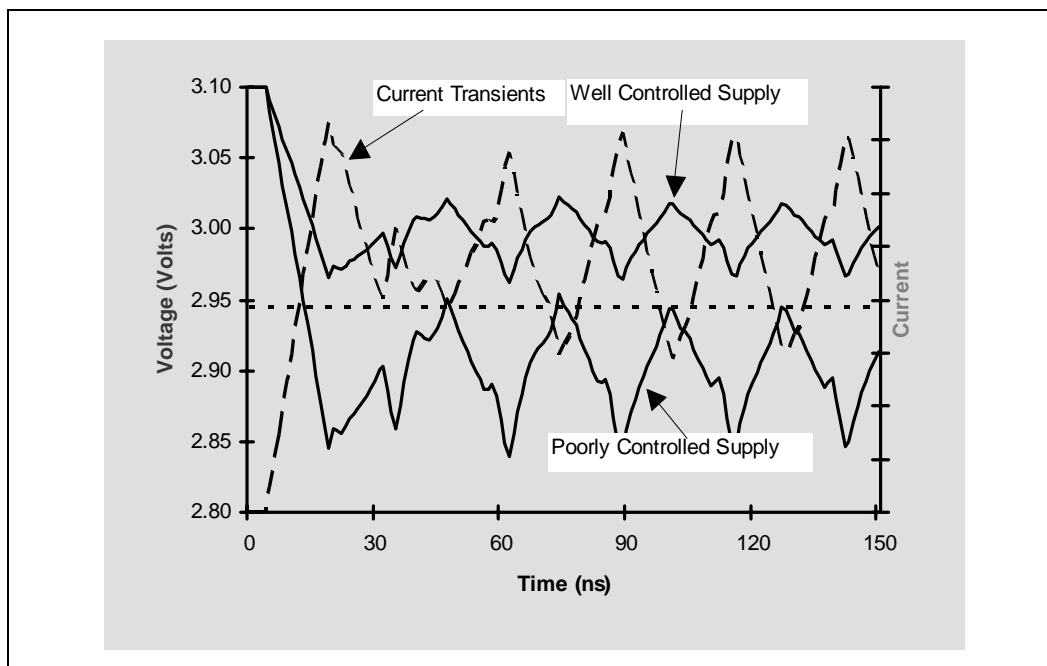
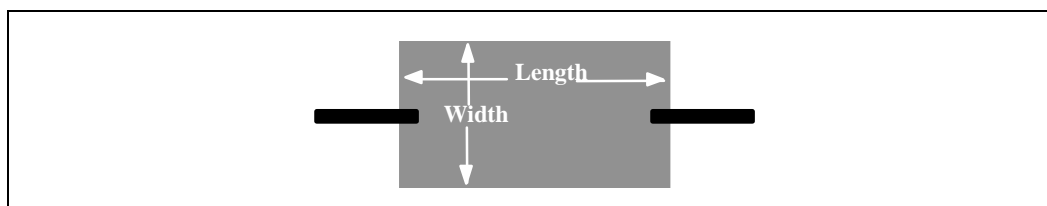
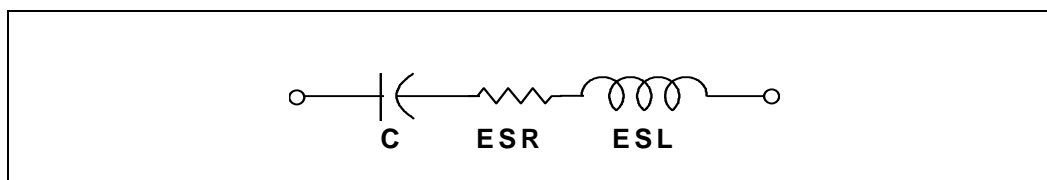


Figure 13. ESR Cylindrical Capacitor



Another effect is the fairly high inductance of the bulk capacitors. These elements can be modeled as shown in Figure 14.

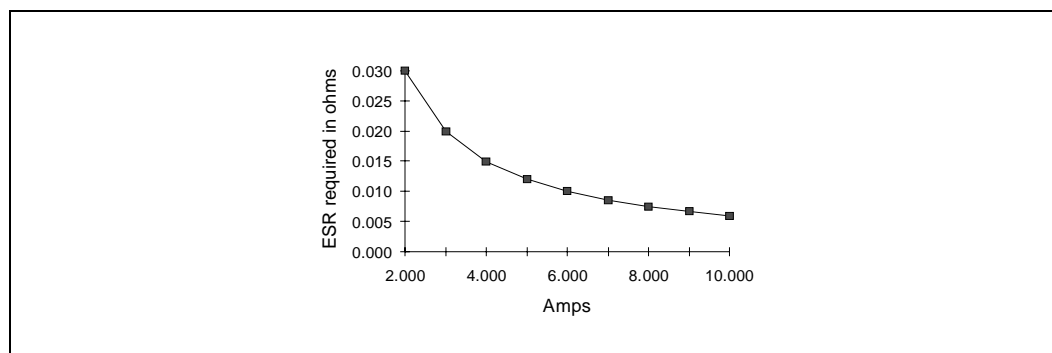
Figure 14. Capacitor Model



Overcoming ESR is discussed here while assuming for now that the inductance effect will be addressed by the high frequency decoupling capacitors discussed in Section 4.3.2.

Figure 15 shows the relationship between current delivered (with a 60 mV budget) and the ESR of the capacitors. Even with infinite capacitance, 6 mΩ of ESR at 10A drops the full budget of 60 mV as shown in Equation 2.

**Figure 15. ESR Required for Various Current Demands**



**Equation 2. ESR Allowed for 60 mV Budget**

$$R = 60mV / I$$

Another useful formula for estimating the amount of bulk capacitance required is shown in Equation 3. This ignores the ESR of the component but furnishes the amount of capacitance that would be required from an ideal component.

**Equation 3. Capacitance for an Ideal Capacitor**

$$C = \frac{\Delta I}{\Delta v / \Delta t}$$

$\Delta I$  represents the current that the bulk capacitance must be able to deliver or source. This is equal to the difference between high and low current states since the power supply will initially continue to supply the same current that it had been prior to the load change.  $\Delta v$  is the allowable voltage change budgeted for bulk capacitive sag (discharge) over the period  $\Delta t$ .  $\Delta t$  is the reaction time of the power source or duration for which the capacitors must supply current.

Assuming some representative numbers for  $I$ ,  $\Delta V$ , and  $\Delta t$ , the capacitance required is shown by Equation 4.

**Equation 4. Capacitance Needed if ESR is 0 Ohms**

$$C = \frac{8.5A}{0.060V / 30 \times 10^{-6} s} = 4250 \mu F$$

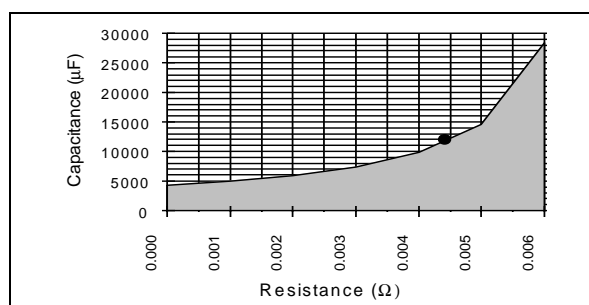
Combining the above formulas to remove the resistive drop from the budget for the bulk capacitance gives Equation 5.

**Equation 5. Capacitance vs. ESR**

$$C = \frac{I \times \Delta t}{\Delta V - I \times ESR}$$

This equation leads to the capacitance vs. ESR graph shown in Figure 16, when  $\Delta V$  is assumed to be 60 mV,  $I$  is assumed to be 8.5A, and the reaction time ( $\Delta t$ ) of the power source is 30  $\mu$ s. The shaded area of the graph covers capacitance types that are insufficient for this application. Again this provides a figure that can be used to get a feel for the type of capacitors required. For example, to satisfy this equation one could use twelve 1000  $\mu$ F capacitors if the ESR of each was 53 m $\Omega$ . The parallel resistance of 12 capacitors would be 4.4 m $\Omega$  and the parallel capacitance would be 12,000  $\mu$ F, which falls in the white zone of the graph in Figure 16.

**Figure 16. Capacitance Required vs. ESR at 8.5A, 60 mV  $\Delta V$ , and 30  $\mu$ s  $\Delta t$**



This is a fairly conservative analysis. Using a reaction time for a power source assumes that the power source does not compensate at all for the change in current demand until  $\Delta t$  has passed, and then immediately is capable of delivering to that demand. Also, it is unnecessarily conservative to assume that the IR drop is the full drop the whole period in which the capacitor discharges. To analyze the power distribution system in more detail requires running a simulation from the power source model to the Pentium III processor power model, including all board, cable, and capacitor effects. See Section 7.5 for more information on component models and Section 11.0 for the Pentium III processor power model.

### 4.3.2 High Frequency Decoupling

Pentium III processors contain all of the capacitors necessary for high frequency decoupling of a properly designed system. This section discusses high frequency decoupling for background purposes only. It is recommended that as many high frequency capacitors sites as possible be placed close to the SC242 connector.

Since the bulk storage not only contains an effective series resistance, but also a fairly high inductance, these capacitors need to be assisted by other capacitors that have a lower inductance (but typically less capacitance). These *high frequency* capacitors control the switching transients and hold-over the power planes during an average load change until the higher inductance capacitors can react.

The 1206 surface mount package is a fairly low inductance package, and is actually lower than the inductance of an 0603 package due to the geometry of the board interconnects. For even lower inductance one can use a 0612 package since the board interconnect area gets even larger. An 0612 is the same size as the 1206 but has its pads along the long edge. The cost of these is significantly higher however due to the complexity of mass producing them. The 1206 package capacitors on the other hand are readily available and lower in cost.

One difficulty in simulating with high frequency capacitors however, is that vendors do not readily offer a specification for the inductance of their parts. In Section 7.5 are some measured values from capacitors that Intel has investigated which should be verified against the vendors' parts that will actually be used in any design. After calculating the number of capacitors required, one can look at the impact that averaging tolerances over many measured components has to the design and pad the design appropriately with additional components.

Since the capacitor inductance is package related, choose the largest value available in the package that has been chosen. The highest capacitance obtainable will be the most beneficial for the design since the amount of capacitance behind this inductance is still critical.

This simple law of inductance is useful as an example for estimating the number of high frequency capacitors required:

#### Equation 6. Simple Law of Inductance

$$V = L di/dt$$

$V$  is the voltage drop that will be seen due to the inductance. The  $di/dt$  value can be expressed in A/ $\mu$ s and  $L$  is the inductance of a series combination of via, trace, and all of the high frequency capacitors in parallel. See Section 4.4 for ideas on reducing via and trace inductance.

Once the allowable inductance for the budgeted voltage drop (due to high frequency transitions) is calculated, the number of capacitors ( $N$ ) required can be estimated by:

#### Equation 7. Number of Capacitors Required

$$N = L_n / L$$

where  $L_n$  is the inductance of a single capacitor and  $L$  is the inductance required that was calculated above.

For example, to meet a 0.3 A/ns  $di/dt$  and not produce more than 60 mV of noise due to high frequency capacitor inductance (1.9 nH from Table 6) one would simply plug into Equation 6 and Equation 7.

#### Equation 8. Inductance Allowed

$$L = 0.060V \div 0.3 A/ns = 0.2nH$$

#### Equation 9. Number of Capacitors for 0.2 nH

$$N = 1.9nH \div 0.2nH = 10capacitors_1$$

The above analysis can also include resistance of the high frequency capacitors.

---

1. More capacitors will actually be required to achieve the necessary capacitance prior to the voltage regulator module due to the limited space within a 1206 package. The number of capacitors required for a Pentium III processor is therefore "capacitance dependent".

While the above calculation provides a theoretical number of capacitors required to meet a di/dt requirement, high frequency noise may yet persist. More capacitors may be necessary to control noise from other sources. However, mixing additional values in the design to create higher resonance points should not be useful since the capacitors described (1206 package) have very high resonant frequencies already. This is shown by using the values from Table 6 in Equation 10.

#### Equation 10. Resonant Frequency

$$f = \frac{1}{2\pi\sqrt{LC}} \approx \frac{1}{2\pi\sqrt{(0.47 \times 10^{-9}) \times (1 \times 10^{-6})}} \approx 7.3\text{MHz}$$

Note that all 1206 capacitors will have basically the same inductance value and that smaller components actually have more inductance. Also, the inductance of the vias are the larger contributors and cause the resonance to be more like 3.6 MHz.

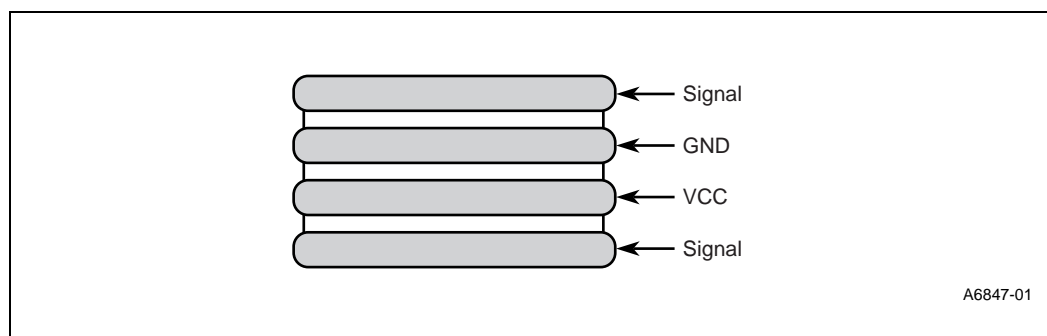
Note that many packaging technologies are available and that 1206 capacitors are just one example. Check with capacitor vendors for optimal designs.

## 4.4 Power Planes or Islands

The imperfections of the power planes themselves have so far been ignored. These may also introduce unwanted resistance and inductance into the power distribution system. The complex model in Figure 3 refers to these imperfections as  $R_{\text{BOARD}}$  and  $L_{\text{BOARD}}$ .

Figure 17 illustrates Intel's recommendation for the layers of a four layer Pentium III processor baseboard. Route VCC\_CORE and VCC\_L2 on the  $V_{\text{CC}}$  layer.

Figure 17. Baseboard Layer Definition



Power should definitely be distributed as a plane. This plane can be constructed as an *island* on a layer used for other signals, on a supply plane with other power islands, or as a dedicated layer of the PCB. Processor power should never be distributed by traces alone. See Figure 18 and Figure 19 for examples of voltage islands.

Due to the fact that the Pentium III processor voltage is unique to most system designs, a voltage island, or islands, will probably be the most cost effective means of distributing power to the processors. This island should be continuous from the source of power to the load. It should also completely surround all of the pins of the source and all of the pins of the load.



Figure 18. Pentium® III Processor VCC\_CORE Voltage Island

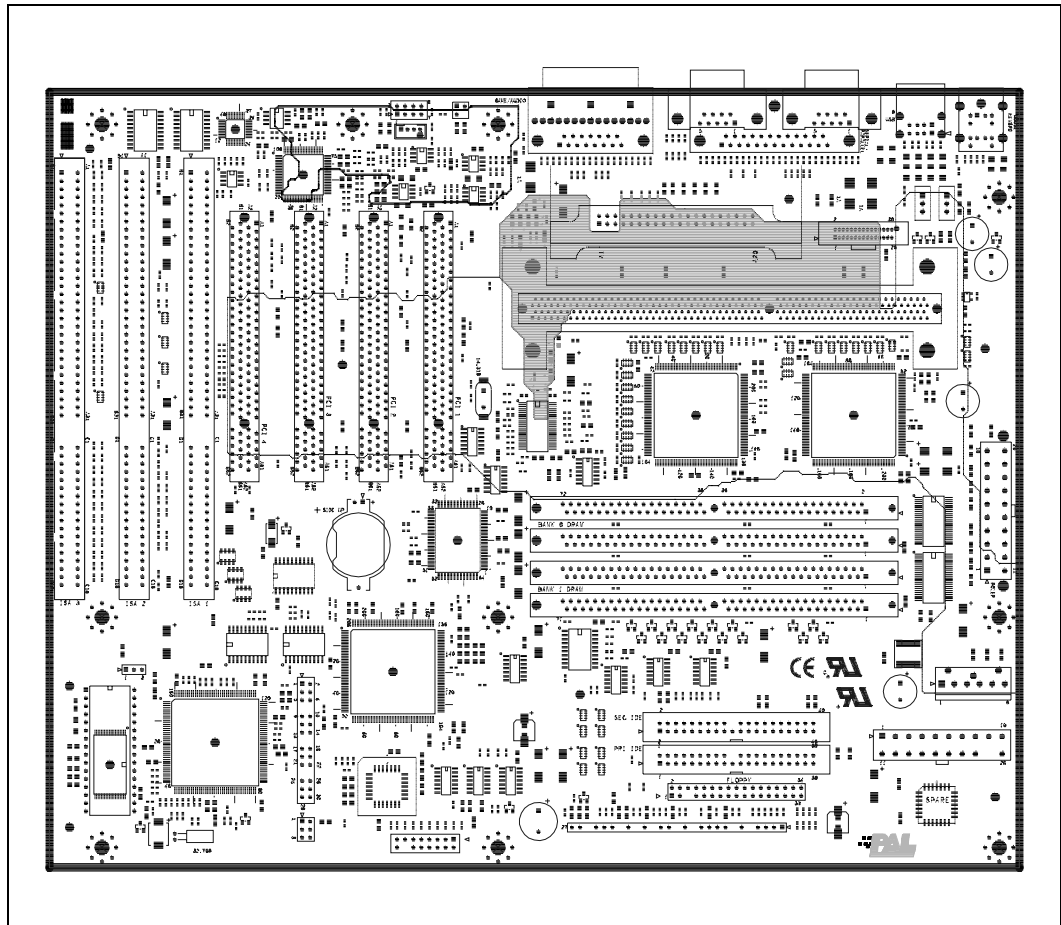
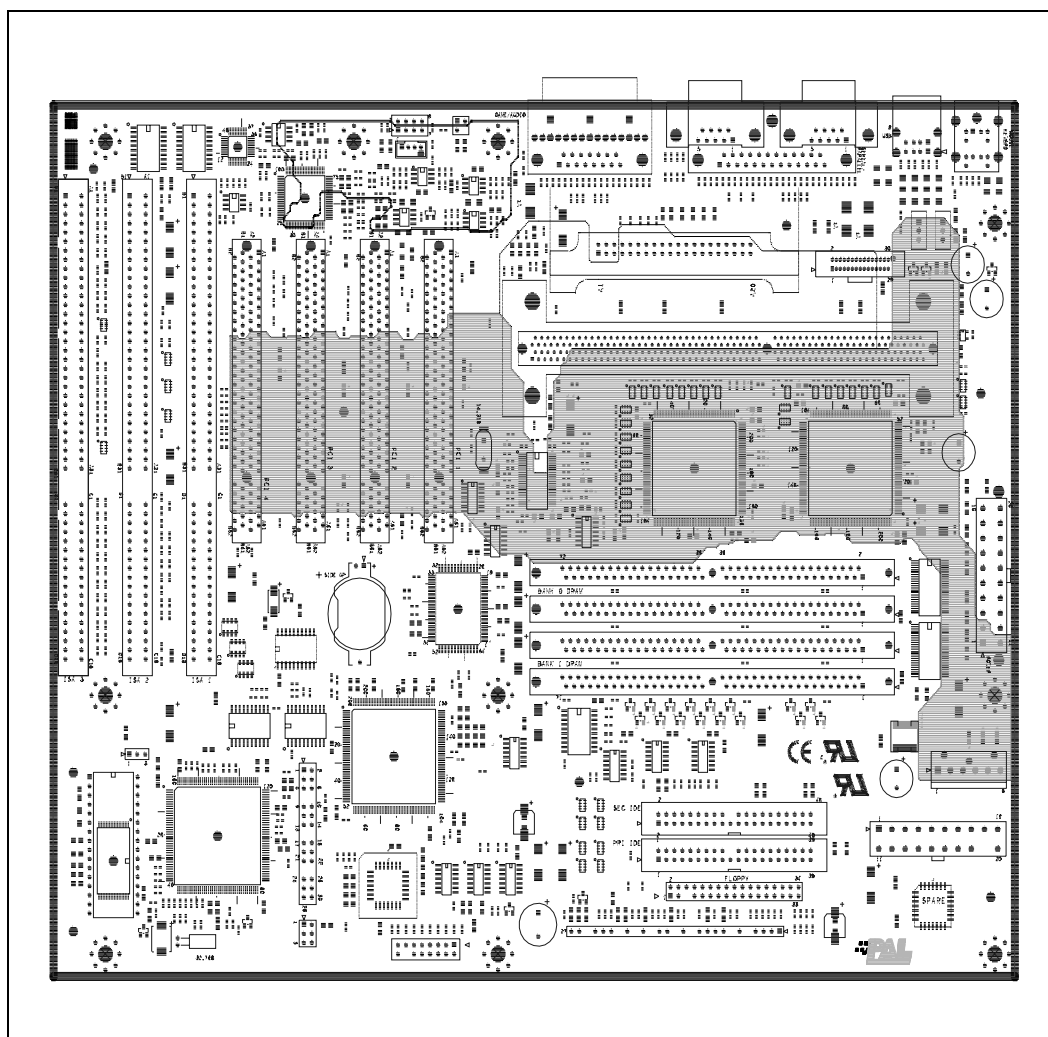


Figure 19. Pentium® III Processor VCC\_L2 Voltage Island



#### 4.4.1 Location of High Frequency Decoupling

The Pentium III processor contains all the high frequency decoupling required for a properly designed system.

Where needed, high frequency decoupling should be placed as close to the power pins of the load as physically possible. Use both sides of the board if necessary for placing components in order to achieve the optimum proximity to the power pins. This is vital as the inductance of the board's metal plane layers could cancel the usefulness of these low inductance components.

Another method to lower the inductance that should be considered is to shorten the path from the capacitor pads to the pins that it is decoupling. If possible, place the vias connecting to the planes within the pad of the capacitor. If this is not possible, keep the traces as short as is feasible., and place them within the outline of the capacitor in order to minimize loop inductance. Possibly one or both ends of the capacitor can be connected directly to the pin of the processor without the use of a

via. Even if simulation results look good, these practical suggestions can be used to create an even better decoupling situation where they can be applied in layout. Figure 20 illustrates these concepts.

#### 4.4.2 Location of Bulk Decoupling

The location of bulk capacitance is not as critical since more inductance is already expected for these components. However, knowing their location and the inductance values involved will be useful for simulation. In this example the bulk capacitance is on the voltage converter module electrically *behind* the inductance of the converter pins. This is Intel's recommended solution.

#### 4.4.3 Impedance And Emission Effects Of Power Islands

There are impedance consequences for signals that cross over or under the edges of the power island that exists on another layer. While neither of these may be necessary for most designs, there are two reasonable options to consider which can protect a system from these consequences.

The Pentium III processor power islands can be isolated from signals by one of the solid power plane layers such as the ground layer. This forces a particular stack-up model.

Another option that helps, but does not completely eliminate radiation effects, is to decouple the edges of the processor power islands to ground on regular intervals of about 1" using good high frequency decoupling capacitors. This requires more components but does not require any particular board stack-up.

In either event, for controlling emissions, all planes and islands should be well decoupled. The amount of decoupling required for controlling emission will be determined by the exact board layout, and the chassis design. One should plan ahead by allowing additional pads for capacitors to be added in case they are discovered necessary during initial EMI testing.

## 5.0 The AGTL+ Bus Power Requirements

The Pentium III processor varies from the Pentium Pro processor in its output buffer implementation. The buffers that drive the system bus signals on the Pentium III processor are actively driven to VCC\_CORE for one clock cycle after the low to high transition to improve rise times. These signals should still be considered open-drain and require termination to a supply that provides the high signal level. Because this specification is different from the standard GTL+ specification, it is referred to as AGTL+ in this and other documentation. AGTL+ logic and GTL+ logic are compatible with each other and may both be used on the same system bus. For more information on AGTL+ routing, see AP-906, *100 MHz AGTL+ Layout Guidelines for the Pentium® III Processor and Intel® 440BX AGPset* (Order Number 245086). Intel recommends terminating both ends of the AGTL+ bus to a voltage level called  $V_{TT}$  (1.5 V).  $V_{TT}$  supplies current when output drivers turn on. There are approximately 140 AGTL+ lines in a Pentium III processor system design.

The AGTL+ bus power requirements present a different situation than creating power for the Pentium III processors. While the AGTL+ bus requires less current than the processor, it still has a tight tolerance specification. Just as the processor can start and stop executing within a few clock cycles, the bus usage follows, which in turns causes load changes and transients on the  $V_{TT}$  power supply.  $V_{TT}$  must be available to the termination resistors at both ends of the bus. This can be accomplished by having two sources of  $V_{TT}$  or by distributing  $V_{TT}$ .

An AGTL+ buffer sinks a maximum of 45 mA. When considering the duty cycle of the signals, the 141 AGTL+ signals draw a maximum of about 5.38 A at 100% utilization of the bus. Table 4 illustrates AGTL+ current draw using relatively conservative duty cycles. Utilization of the bus, the value of the AGTL+ termination resistors, chipset functionality and motherboard design limit actual current draw. Power supply designers need to take these benefits into account as well.

Figure 20. Capacitor Pad and Via Layouts

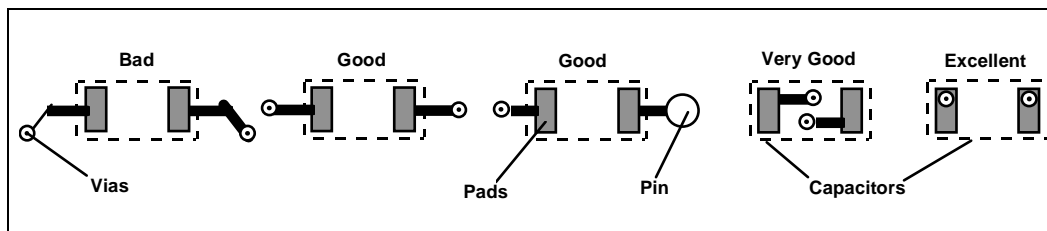


Table 4. Estimating  $V_{TT}$  Current

Signal Group	Quantity of Signals	Max Duty Cycle	Average Current
Data + ECC	72	100	3.24
Address + Parity	35	67	1.06
Arbitration	7	100	0.32
Request	7	67	0.21
Error	5	20	0.05
Response	6	33	0.09
Other	9	100	0.41
<b>Total</b>	<b>141</b>		<b>5.38</b>

## 5.1 Tolerance

$V_{TT}$  at the processor edge fingers must be held to  $\pm 9\%$ . It is recommended that a regulator that can maintain  $\pm 3\%$  at low current draw be used in order to guarantee  $\pm 9\%$  over all conditions. It is again important to note that this tolerance specification covers all voltage anomalies including power supply ripple, power supply tolerance, current transient response, and noise. Not meeting the specification on the low or high end will change the rise and fall time specifications. Failure to meet this specification on the low end will also result in reduced margins for the AGTL+ buffers thus making it more difficult to meet timing specifications.

## 5.2 Reference Voltage

The AGTL+ bus requires a Voltage Reference called  $V_{REF}$  as well. The Pentium III processor generates its own copy of  $V_{REF}$ . A  $V_{REF}$  voltage level of  $2/3 V_{TT}$  may be needed for the chipset. A simple voltage divider of two resistors can meet the  $V_{REF}$  current requirements, due to the very low current draw of this signal (at most  $15 \mu A$  per device). Bear in mind that leakage current varies and may be significant when building the voltage divider.

## 6.0 Meeting the AGTL+ Power Requirements

Due to the different nature of powering the AGTL+ bus versus powering a processor, meeting the  $V_{TT}$  requirements may be addressed in a different way.

### 6.1 Generating $V_{TT}$

Intel recommends terminating both ends of the AGTL+ bus. Since each Pentium III processor contains the termination for one side of the bus, a dual-processor (DP) motherboard needs no  $V_{TT}$  terminating resistors. Depending on the layout of the AGTL+ bus, a uni-processor (UP) motherboard requires at least one set of terminating resistors (referred as SET, or singled-ended termination). Simulation results will determine whether the motherboard is required to provide a second set of termination resistors (referred as DET, or dual-ended termination). Designers may wish to generate  $V_{TT}$  on each end of the line. In this case, each supply only needs to provide one half of the current necessary to the AGTL+ drivers. One larger AGTL+ supply may suffice if both ends of the bus are fairly near each other. Designs utilizing single ended termination only need to provide one half of the current necessary to the AGTL+ drivers.

When powering the bus from a single regulator, design techniques closely resemble those of Section 4.0. Motherboard designers should run a full analysis.

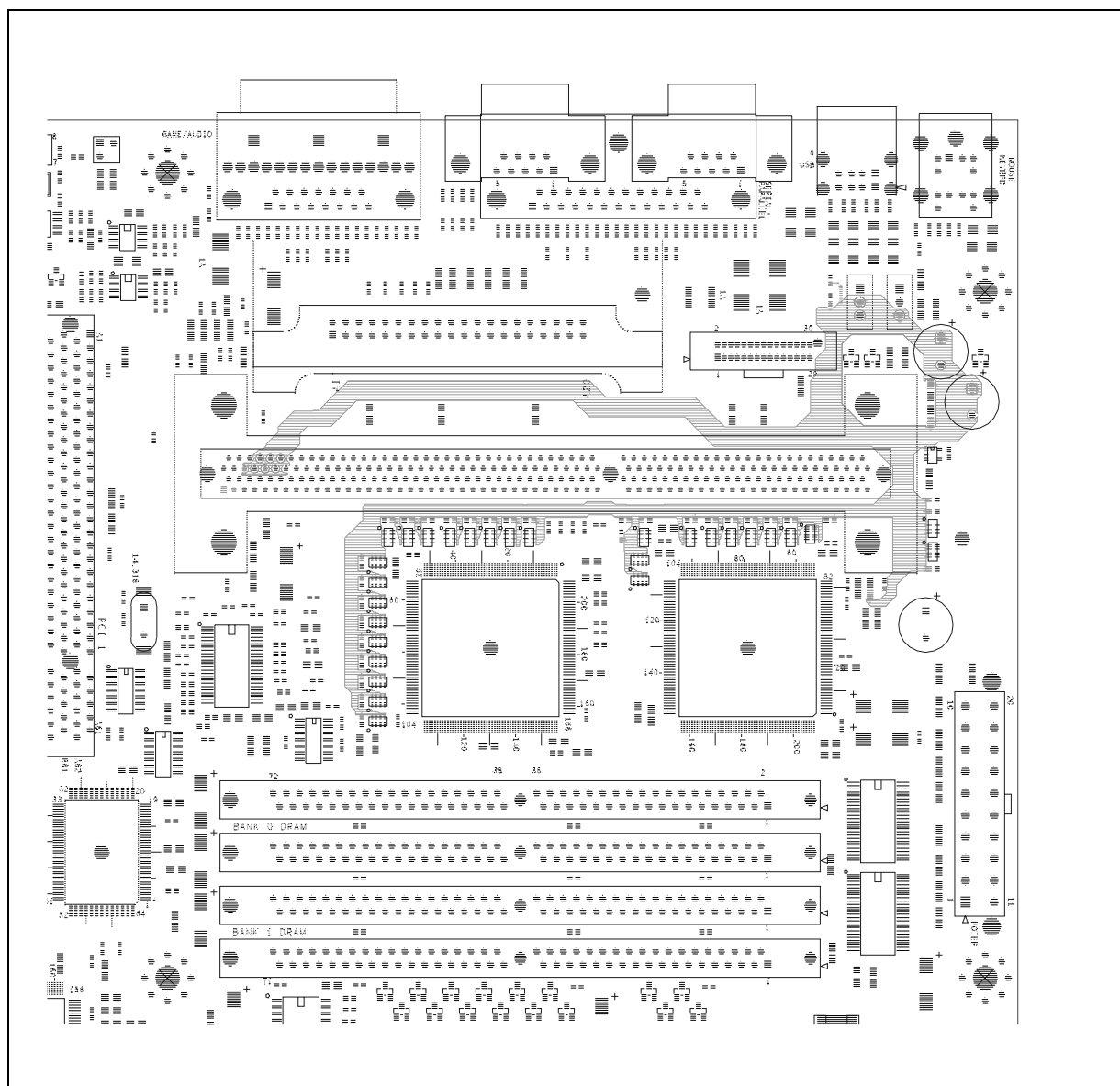
The low current required by each AGTL+ regulator, in a dual regulator AGTL+ supply, means that linear regulators can be used. Linear regulators are faster devices than switching regulators and therefore require less output decoupling. The dual regulator AGTL+ supply also results in lower ESR and ESL of supply components. Intel recommends conducting a proper analysis as described in Section 4.0. Analysis techniques remain the same, reaction time of the supply and the current levels differ.

The two regulators need not track each other as long as each keeps  $V_{TT}$  in tolerance. The bus naturally performs an averaging function on these two supplies.  $V_{REF}$  (as discussed in Section 6.3) must also track these supplies.

### 6.2 Distributing $V_{TT}$

Only  $V_{REF}$  and the AGTL+ termination resistors need  $V_{TT}$ . If the distance to the termination resistors is small, distributing  $V_{TT}$  with a wide trace should be sufficient. A wide trace to the  $V_{REF}$  generation point keeps inductance to a minimum.

Intel recommends a  $V_{TT}$  plane, especially if a single AGTL+ supply is used and the ends of the AGTL+ bus are not near each other. This helps offset  $V_{TT}$  distribution resistive and inductive losses. Again, separate smaller linear regulators at each end of the bus may alleviate the possible need for a power plane. An example of a  $V_{TT}/V_{REF}$  voltage island is Figure 21.

Figure 21. Pentium III Processor  $V_{TT}/V_{REF}$  Voltage Island

**Note:** When using resistor networks with a single corner pin  $V_{CC}$  connection for AGTL+ termination, beware of inductive packages. Intel has found that these packages can cause significant voltage drops due to the inductance in the 24 pin SOIC packages being used for this purpose.

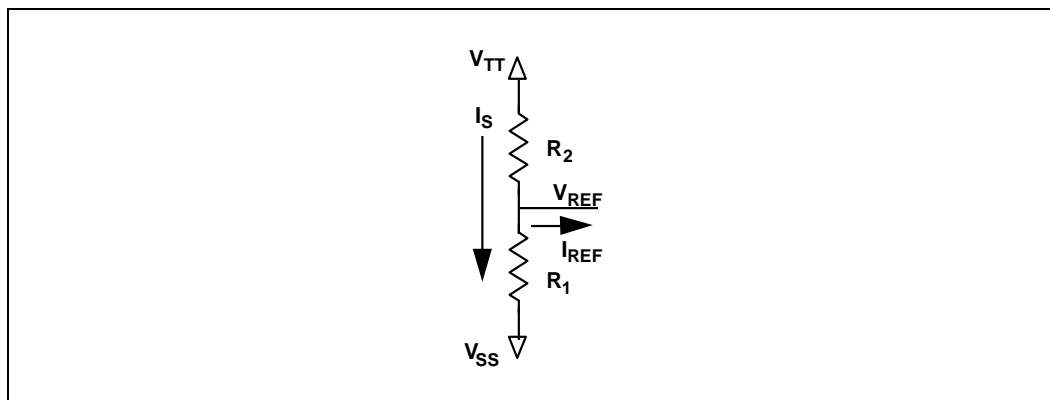
### 6.3 Generating and Distributing $V_{REF}$

$V_{REF}$  is a low current input (about 15  $\mu\text{A}$  per device) to the differential receivers within each of the components on the AGTL+ bus. *Each Pentium III processor generates its own  $V_{REF}$ .* A simple voltage divider can generate  $V_{REF}$ . Because  $V_{REF}$  is used only by the input buffers, it does not need

to maintain a tight tolerance from component to component. It does however, need to meet the 2% specification at all  $V_{REF}$  inputs.  $V_{REF}$  should track the  $V_{TT}$  averaging of a dual regulated AGTL+ supply.

Equation 11 of  $2/3 V_{TT}$  uses  $R_1 = 2 \times R_2$  to generate a  $V_{REF}$  set at a nominal value of  $2/3 V_{TT}$ . Figure 22 illustrates using 1% resistors to generate the  $V_{REF}$  specification of  $2/3 V_{TT} \pm 2\%$ .

**Figure 22. A Simple Circuit for Generating  $V_{REF}$**



**Equation 11. Creating  $V_{REF}$  of  $2/3 V_{TT}$**

$$V_{REF} = V_{TT} \times \frac{R_1}{R_1 + R_2} = V_{TT} \times \frac{2 \times R_2}{2 \times R_2 + R_2} = \frac{2}{3} V_{TT}$$

$R_1$  and  $R_2$  should be small enough values that the current drawn by the  $V_{REF}$  inputs ( $I_{REF}$ ) is negligible versus the current caused by  $R_2$  and  $R_1$ .

A complete analysis of this circuit's currents into and out of the center node, as in Equation 12, will provide the final  $V_{REF}$  of the circuit.  $n$  is the number of  $I_{REF}$  inputs supplied by the divider.

**Equation 12. Node Analysis**

$$I(R_2) = I(R_1) + n \times I_{REF}$$

Plugging in for the currents and rearranging, gives:

**Equation 13. Node Analysis in Terms of Voltage**

$$\frac{V_{TT} - V_{REF}}{R_2} - \frac{V_{REF}}{R_1} = n \times I_{REF}$$

Which leads to:

**Equation 14. Solving for  $V_{REF}$** 

$$V_{REF} = \frac{V_{TT}/R_2 - n \times I_{REF}}{1/R_2 + 1/R_1}$$

The worst case  $V_{REF}$  should be analyzed with  $I_{REF}$  at the maximum and minimum values determined for the number of loads being provided voltage. If the number of loads can change from model to model or because of upgrades, this should be taken into account as well. Analyze Equation 14, Solving for  $V_{REF}$  with  $R_1$  and  $R_2$  at the extremes of their tolerance specifications.

**6.3.1 Distributing  $V_{REF}$  Or  $V_{TT}$** 

The system board designer may choose to distribute  $V_{TT}$  and place a resistor divider at each component or use a voltage regulator to generate  $V_{REF}$  and then distribute it to each of the devices. Use wide isolated traces on  $V_{TT}$  and  $V_{REF}$  to reduce noise and loss.

When using two regulators to generate  $V_{TT}$ ,  $V_{REF}$  must track  $V_{TT}$  by averaging from both  $V_{TT}$  sources. Generate a separate  $V_{REF}$  at each regulator, for every four loads. Connect the  $V_{REFs}$  together with a wide trace. The closer this  $V_{REF}$  signal tracks the path of the bus signals, the better it matches the average of the voltage on the AGTL+ bus. Route  $V_{REF}$  on a separate layer to reduce cross-talk.

**7.0 Recommendations**

Intel recommends using simulation to design and verify Pentium III processor based systems. With the above estimates, a model of the power source, and the model of the Pentium III processor provided in Section 11.0, system developers can begin analog modeling. Intel recommends the following as a starting point or benchmark:

**7.1 VCC\_L2**

For VCC\_L2, use a typical PC power supply with a 3.3 V tap. Ensure sufficient current on the 3.3 V tap of the supply to power all of the system chipset, the AGTL+ regulator (if run off of 3.3 V), other 3.3 V logic in the system and any L2 caches that exist in the system. See the chipset specification for chipset power requirements. See the voltage and current specifications in the *Pentium III Processor at 450 MHz and 500 MHz* datasheet for the requirements of the L2 cache. Bulk decoupling requirements depend on the reaction time of the power supply. The Pentium III processor contains sufficient high frequency decoupling, provided that the system has a well designed power supply.

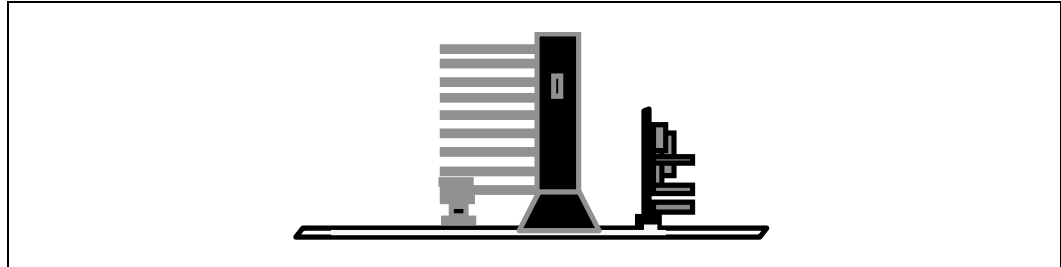
**7.2 VCC\_CORE**

For VCC\_CORE, Intel recommends starting with a socketed local DC-to-DC converter as shown in Figure 23. This removes cable inductance from the distribution, reduces board inductance, and allows for a low cost upgrade strategy as well. Regulator sockets can be provided for upgradable processor sockets rather than shipping with the full current capability already available. Another



benefit of using separate regulators per processor is the ability to vary processor types in the system, if allowed by the product line in the future. The output of this regulator should be adjustable to allow for changes in the voltage specification as new products become available.

**Figure 23. Local Regulation**



Intel recommends placing the bulk decoupling on the DC-to-DC converter module. Since these capacitors tend to be large and not available in surface mount technology, it makes sense to isolate these to a smaller module that can be run in a different manufacturing environment than the typical system board designs. These bulk capacitors would supplement bulk devices placed near the processor SC242 connector.

The Pentium III processor in a S.E.C.C.2 package contains all of the high frequency decoupling required for a properly designed system.

### 7.2.1 The Main Power Supply

The main supply must provide power to the DC-to-DC converter as well as to the rest of the system. One should ensure that the input voltage to the converter meets the converter's requirements, and that the DC-to-DC converter does not create a transient problem of its own on the 5 V or 12 V outputs of the main supply. Voltage Regulator Module (VRM) DC-to-DC converter specifications describe the guidelines given to the DC-to-DC converter industry. Intel has located these specifications on its web site at:

<http://developer.intel.com/design/PentiumIII/applnots>

Table 5 below defines the logic levels of the Pentium III processor's VID pins. Intel recommends connecting the VID pins to the VRM as described in the appropriate VRM DC-to-DC converter specification.

Table 5. Voltage Identification Code

Processor Pins					
VID4 A121	VID3 B119	VID2 A119	VID1 A120	VID0 B120	VCC <sub>CORE</sub>
0	1	1	1	1	1.30 <sup>3,4</sup>
0	1	1	1	0	1.35 <sup>3,4</sup>
0	1	1	0	1	1.40 <sup>3,4</sup>
0	1	1	0	0	1.45 <sup>3,4</sup>
0	1	0	1	1	1.50 <sup>3,4</sup>
0	1	0	1	0	1.55 <sup>3,4</sup>
0	1	0	0	1	1.60 <sup>3,4</sup>
0	1	0	0	0	1.65 <sup>3,4</sup>
0	0	1	1	1	1.70 <sup>3,4</sup>
0	0	1	1	0	1.75 <sup>3,4</sup>
0	0	1	0	1	1.80 <sup>3,4</sup>
0	0	1	0	0	1.85 <sup>3,4</sup>
0	0	0	1	1	1.90 <sup>3,4</sup>
0	0	0	1	0	1.95 <sup>3,4</sup>
0	0	0	0	1	2.00 <sup>3,4</sup>
0	0	0	0	0	2.05 <sup>4</sup>
1	1	1	1	1	No Core
1	1	1	1	0	2.1 <sup>4</sup>
1	1	1	0	1	2.2 <sup>4</sup>
1	1	1	0	0	2.3 <sup>4</sup>
1	1	0	1	1	2.4 <sup>4</sup>
1	1	0	1	0	2.5 <sup>4</sup>
1	1	0	0	1	2.6 <sup>4</sup>
1	1	0	0	0	2.7 <sup>4</sup>
1	0	1	1	1	2.8 <sup>4</sup>
1	0	1	1	0	2.9
1	0	1	0	1	3.0
1	0	1	0	0	3.1
1	0	0	1	1	3.2
1	0	0	1	0	3.3
1	0	0	0	1	3.4
1	0	0	0	0	3.5

**NOTES:**  
1. 0 = Processor pin connected to V<sub>SS</sub>.  
2. 1 = Open on processor; may be pulled up to TTL V<sub>IH</sub> on motherboard.  
3. Required to support variations for Pentium III processors.  
4. Required to support variations for Pentium II and Pentium III processors.

### 7.3 V<sub>TT</sub>

Since the losses in a linear regulator are directly proportional to V<sub>IN</sub>-V<sub>OUT</sub>, the 3.3 V power supply makes a good choice for the input voltage to the regulator. The processor voltage (VCC<sub>CORE</sub>) may seem like a better choice since it is lower than 3.3 V, but it varies from one

Pentium III processor variant to the next. This would lead to a design change for each generation of Pentium III processor. Also, Linear regulators require a minimum voltage drop in order to operate. This becomes an issue as Pentium III processor voltages decrease.

Separate linear regulators contain the voltage distribution to a very local region. In a bus layout where both ends of the bus are physically near each other, one regulator can supply both sets of termination resistors. In this situation, a 50 mil trace (the wider the better) should distribute the power to the termination resistors.

Linear regulators are fairly common and produced by many vendors. See your local field applications engineer or visit <http://developer.intel.com/design/PentiumIII/components/> for assistance locating a vendor.

Reaction time specifications of the regulator determine bulk capacitance. The capacitance must hold-over the regulator during a switch from 0 to 5.4 A, as estimated in Table 4, until the regulator reacts. In addition, Intel recommends one 1.0  $\mu$ F capacitors for each termination resistor package for high frequency decoupling. Place these capacitors as near to the termination resistors as possible.

### 7.3.1 Termination Resistors

Discrete resistors may be employed, however the assembly time associated with placing about 140 resistors in a UP system should be taken into account. A lower part count implementation uses resistor networks.

**Note:** When using resistor networks with a single corner pin  $V_{CC}$  connection for AGTL+ termination, beware of inductive packages. Intel has found that these packages can cause significant voltage drops due to the inductance in the 24 pin SOIC packages being used for this purpose. A better option is to use resistor networks in which both ends of each resistor are available as pins.

## 7.4 $V_{REF}$

Intel recommends one voltage divider at each component. The Pentium III processor generates its own  $V_{REF}$  internally. Therefore, most motherboards require only one or two  $V_{REF}$  voltage dividers.

Assume a maximum of 15  $\mu$ A of leakage current per load. Note that these leakage currents can be positive or negative.

The following discussion illustrates using a single voltage divider to support both  $V_{REF}$  loads. Using 1% resistors for the voltage divider in Figure 22, make  $R_1$  a 150  $\Omega$  resistor, and use 75  $\Omega$  for  $R_2$ . This creates a static usage of 7 mA ( $1.5 \text{ V} / 225 \Omega$ ) per voltage divider. After looking at all combinations of  $R_1$  and  $R_2$  (above and below tolerance) and  $I_{REF}$  ( $\pm 30 \mu\text{A}$ ), the worst case solution for Equation 14 can be found with  $I_{REF}$  at 30  $\mu\text{A}$ ,  $R_1$  at the low end of its tolerance specification (148.5  $\Omega$ ), and  $R_2$  at the high end of its tolerance specification (75.75  $\Omega$ ). This yields:

### Equation 15. Resistor Tolerance Analysis

$$V_{REF} = \frac{1.5/75.75 - .000030}{1/75.75 + 1/148.5} = 0.99V$$

Since the target of 2/3 of  $V_{TT}$  is 1.00 V, this setting is within 0.97% of the 2/3 point and satisfies the 2% specification. A spreadsheet program allows the reader to easily verify the other corners. Varying over its tolerance range has minimal effect.

These values chosen for  $R_1$  and  $R_2$  have additional benefits: The parallel combination terminates the  $V_{REF}$  line to 50  $\Omega$ . This generally available resistance value reduces resistor cost.

Decouple  $V_{REF}$  at each  $V_{REF}$  input and at the voltage divider with a 0.001  $\mu$ F capacitor to  $V_{SS}$ . Decoupling  $V_{REF}$  to  $V_{TT}$  at the voltage dividers with a 0.001  $\mu$ F capacitor may further enhance the ability for  $V_{REF}$  to track  $V_{TT}$ . The actual benefit of this decoupling is controversial.

When routing  $V_{REF}$  to the loads, use a 30-50 mil trace (The wider the better) and keep all other signals at least 20 mils away from the  $V_{REF}$  trace. This provides a low impedance line without the cost of an additional plane or island.

## 7.5 Component Models

When making component selection decisions, assure that the capacitor does not degrade with temperature, time or voltage applied. Acquire component models from their manufacturers. Intel can not guarantee the specifications of another manufacturer's components. This section contains some of the models developed by Intel for its simulations. Designers also need to route to minimize current loop inductance. The Pentium III processor model can be found in Section 11.0.

**Table 6. Various Component Models used at Intel (Not Vendor Specifications)**

Component of Simulation	ESR ( $\Omega$ )	ESL (nH)	ESL+ Trace + Via (nH)
0.1 $\mu$ F Ceramic 0603 package	0.100	1.60	3.0
1.0 $\mu$ F Ceramic 1206 package	0.120	0.47	1.9
100 $\mu$ F MLC (2.05"x0.71")	0.005	0.30	1.7
47 $\mu$ F, 16 V Tantalum D Case	0.100	0.602	2.0
330 $\mu$ F, 16 V Aluminum Electrolytic	0.143	2.37	3.8
1000 $\mu$ F, 10 V Aluminum Electrolytic (20 mm)	0.053	N/A	N/A
1000 $\mu$ F, 25 V Aluminum Electrolytic (25 mm)	0.031	N/A	N/A
820 $\mu$ F, 4 V OS-CON Electrolytic (10 mm)	0.012	N/A	N/A
$L_{BOARD}$ . One used for $V_{SS}$ , one for $VCC\_CORE$ . This estimate accommodates traces to vias, planes and the socket connections to the plane.	0.000	0.40	N/A

## 8.0 Measuring Transients

To measure transients on a voltage island, requires a clean connection. Achieve this by placing a coaxial connection directly into the power island during layout. An SMA type connector can be used and should be placed near the centrum of the voltage island.

Cable the signal directly into the oscilloscope and take the reading with the oscilloscope bandwidth limited to 20 MHz. This filters out the components of the  $V_{CC}$  noise that the processor also filters out. There is no need to decouple frequencies above this range since the Pentium III processor S.E.C.C.2 cartridge filters them out.

## 9.0 Existing Technology for a Pentium® III Processor System Design

### 9.1 Solutions for $V_{CC\_CORE}$

Intel has assisted in the development of many industry DC-to-DC converter modules. Designers should understand the use of one of these components in a specific design. Intel can not guarantee the use of a DC-to-DC converter in specific designs. In general, the vendor of any component assists designers in the usage of their component. See your local field office, or visit <http://developer.intel.com/design/PentiumIII/components> for a list of possible vendor solutions.

Another solution that is a simple extension to the discussion in this paper is to integrate the components of the DC-to-DC converter, including the bulk capacitance, onto the system PCB. Intel has helped power silicon vendors as well in designing Pentium III processor specific solutions. Again, see your local field office for a list of possible vendor solutions.

### 9.2 Linear Regulators for $V_{TT}$

Linear regulators are widely available. Switching regulators can also be used to generate  $V_{TT}$ .

### 9.3 Termination Resistors

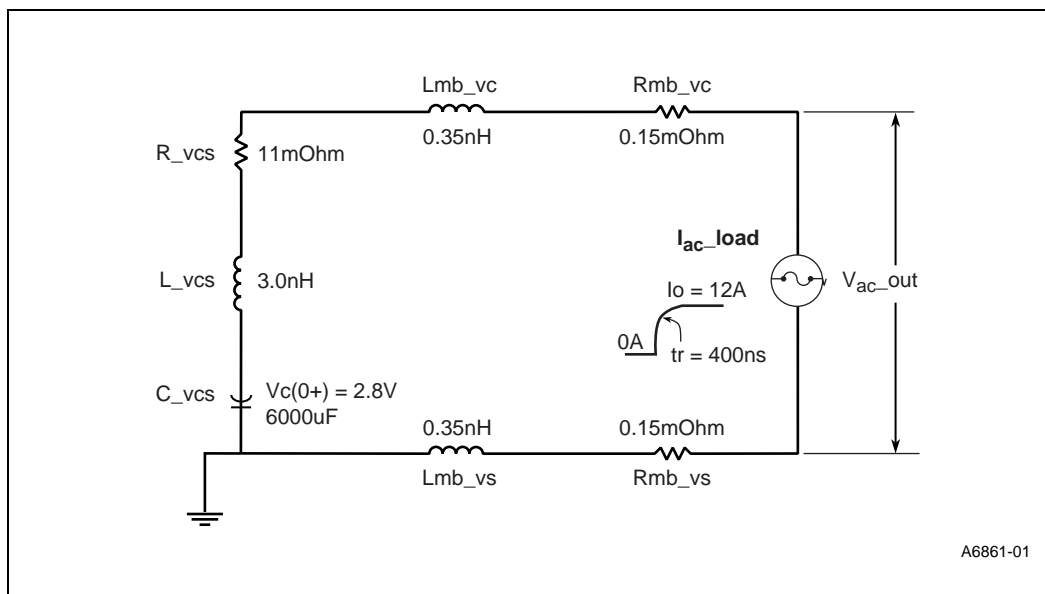
Intel recommends the use of resistor networks to reduce the part count of the processor board assembly. The best resistor networks have a separate pin access to each side of every resistor in the package. This minimizes any inductance or crosstalk within the package.

When using resistor networks with a single corner pin  $V_{CC}$  connection for AGTL+ termination, beware of inductive packages. These packages can cause significant voltage drops due to the inductance in the 24 pin SOIC packages being used for this purpose.

## 10.0 Pentium® III Processor Power Distribution Network Modeling

Intel provides the AC electrical models which are shown in Figure 24, Figure 25, Figure 26, and Figure 27, for use in the simulation of the AC transient response of the Pentium III processor power delivery systems. Due to tool capability limitations, these models have been greatly simplified and are provided as a rough illustration of the Pentium III processor power delivery systems.

**Figure 24. VCC\_CORE Power Delivery Model for AC Transient Response - 66 MHz Systems**



**Figure 25. VCC\_CORE Power Delivery Model for AC Transient Response - 100 MHz Systems**

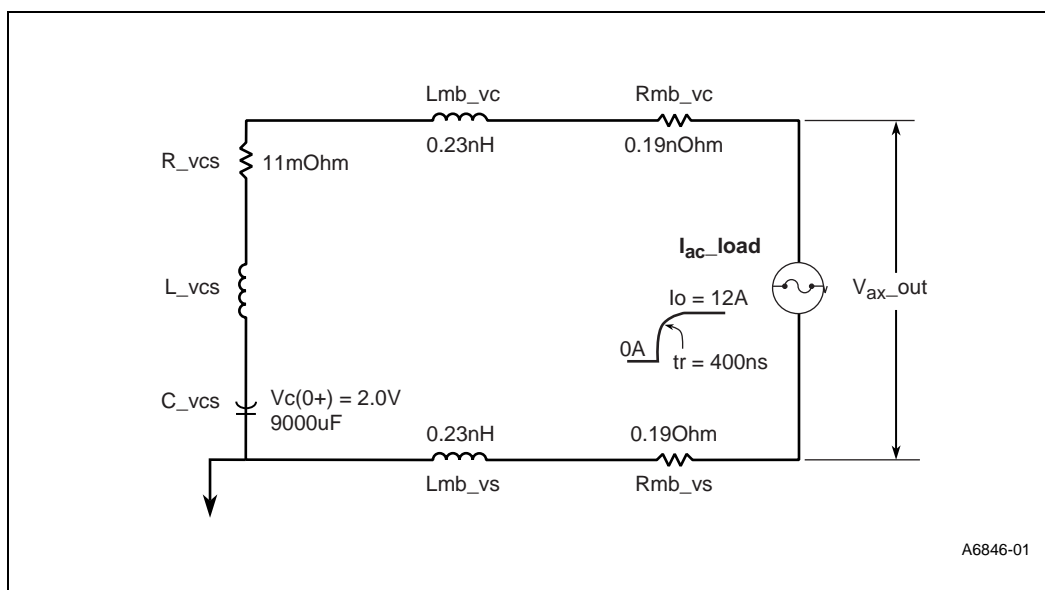
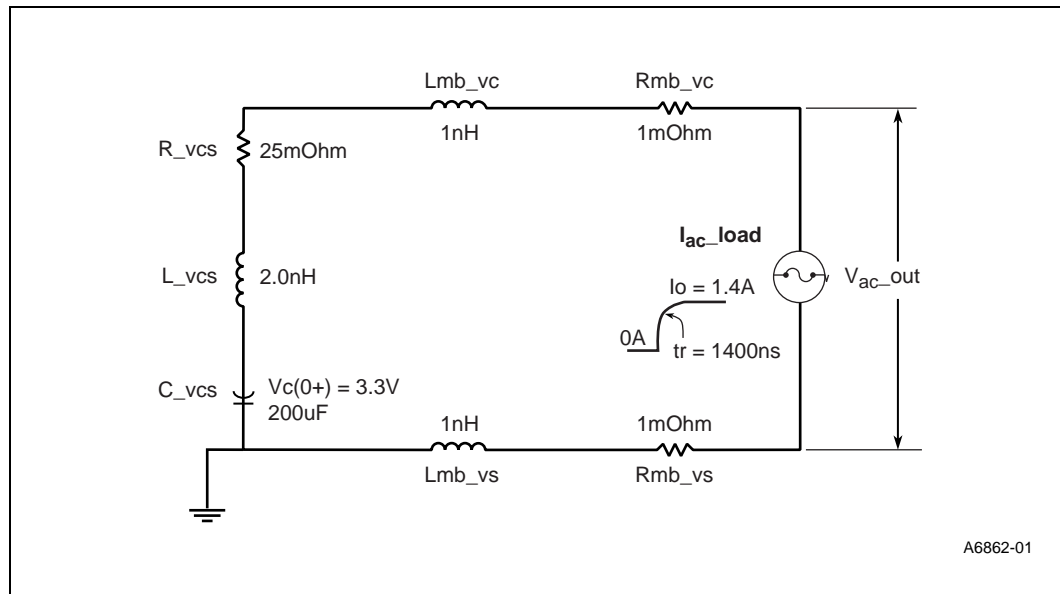
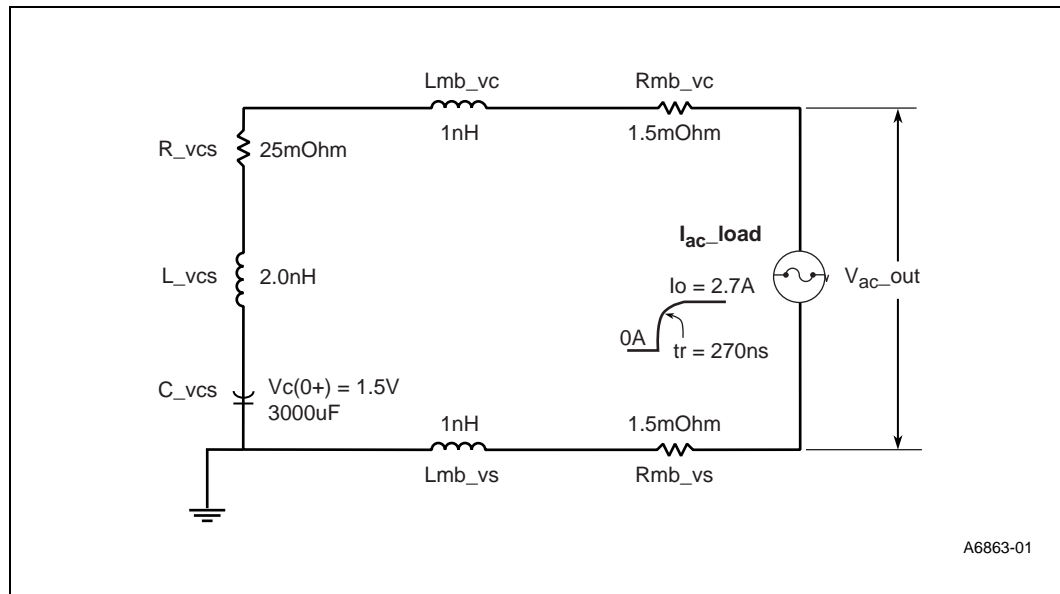


Figure 26. VCC\_L2 Power Delivery Model for AC Transient Response



A6862-01

Figure 27. VTT Power Delivery Model for AC Transient Response



A6863-01

The exponential waveform of the form:

$$I = I_o (1 - \exp(-t/t_r))$$

represents the Pentium III processor as a current source. Motherboard inductance and impedance characteristics are modeled as  $L_{mb\_vc}$ ,  $L_{mb\_vs}$ ,  $R_{mb\_vc}$  and  $R_{mb\_vs}$ . Finally source impedance, inductance and capacitance characteristics are modeled as  $R_{vcs}$ ,  $L_{vcs}$ , and  $C_{vcs}$ . The values

provided below for the motherboard and source characteristics are for example purposes and all source and motherboard characteristics should reflect the actual values for the system under analysis.

## **11.0 Right Angle Connector Power Delivery Considerations**

System developers considering the use of a right angle SC242 connector (RAC) need to keep in mind the following constraints:

1. The added delay of the RAC increases risk to both higher frequency implementations and implementations that use single ended termination.
2. System designers must take into account the added resistance and inductance of the RAC.
3. System designers will need to perform a static and dynamic analysis of their RAC solution.

A detailed analysis for 2.8 V Pentium II processor-based systems utilizing a RAC is available in *AP-587: Slot 1 Processor Power Distribution Guidelines* application note (Order Number: 243332) and can be used as a basis for analyzing other SC242 designs.