



Intel[®] Pentium[®] III Processor Specification Update

Release Date: November 2001

Order Number: 244453-035

The Pentium[®] III processor may contain design defects or errors known as errata which may cause the product to deviate from published specifications. Current characterized errata are documented in this Specification Update.

Information in this document is provided in connection with Intel® products. No license, express or implied, by estoppel or otherwise, to any intellectual property rights is granted by this document. Except as provided in Intel's Terms and Conditions of Sale for such products, Intel assumes no liability whatsoever, and Intel disclaims any express or implied warranty, relating to sale and/or use of Intel products including liability or warranties relating to fitness for a particular purpose, merchantability, or infringement of any patent, copyright or other intellectual property right. Intel products are not intended for use in medical, life saving, or life sustaining applications.

Intel may make changes to specifications and product descriptions at any time, without notice.

Designers must not rely on the absence or characteristics of any features or instructions marked "reserved" or "undefined." Intel reserves these for future definition and shall have no responsibility whatsoever for conflicts or incompatibilities arising from future changes to them.

The Pentium® III processor may contain design defects or errors known as errata which may cause the product to deviate from published specifications. Current characterized errata are available on request.

The Specification Update should be publicly available following the last shipment date for a period of time equal to the specific product's warranty period. Hardcopy Specification Updates will be available for one (1) year following End of Life (EOL). Web access will be available for three (3) years following EOL.

Contact your local Intel sales office or your distributor to obtain the latest specifications and before placing your product order.

Copies of documents which have an ordering number and are referenced in this document, or other Intel literature, may be obtained by calling 1-800-548-4725 or by visiting Intel's website at <http://www.intel.com>

Copyright © Intel Corporation 1999- 2001.

Intel, Intel logo, Pentium, and MMX are trademarks or registered trademarks of Intel Corporation or its subsidiaries in the United States and other countries.

* Other names and brands may be claimed as the property of others.

CONTENTS

REVISION HISTORY.....	ii
PREFACE	v
Specification Update for the Pentium® III Processor	
GENERAL INFORMATION.....	11
Pentium® III Processor and Boxed Pentium® III Processor Markings.....	1
Pentium® III Processor Markings	11
IDENTIFICATION INFORMATION	3
Mixed Steppings in DP Systems	4
SUMMARY OF CHANGES.....	22
Summary of Errata	23
Summary of Documentation Changes.....	28
Summary for Specification Clarifications	29
Summary of Specification Changes.....	29
ERRATA.....	30
DOCUMENTATION CHANGES.....	69
SPECIFICATION CLARIFICATIONS.....	81
SPECIFICATION CHANGES.....	84

REVISION HISTORY

Date of Revision	Version	Description
March 1999	-001	This is the first Specification Update for Pentium® III processors.
April 1999	-002	Added Erratum E42. Deleted Erratum E16 and renumbered existing items. Corrected Errata table "Plans" column for E39. Updated the Pentium III Processor Identification Information table.
May 1999	-003	Updated the Pentium III Processor Identification Information table. Updated the Errata table by marking Errata E34, E35, and E40 as Fixed.
June 1999	-004	Updated the Pentium III Processor Identification and Package Information table. Added Erratum 43. Added Documentation Change E1. Added Specification Clarifications E1 and E2. Added Specification Change E3.
July 1999	-005	Added footnote 4 to the Pentium III Processor Identification and Package Information table. Added Erratum E44. Added stepping Kc0 in Summary Table of Changes. Added Mixed Steppings in DP Systems section. Updated Documentation Changes, Specification Clarifications, and Specification Changes introduction paragraphs.
August 1999	-006	Added Errata E45 and E46. Added Documentation Change E2. Updated Identification Information table. Updated and corrected Pentium III Processor Identification and Package Information table. Updated Codes Used in Summary Table. Updated column heading in Errata, Documentation Changes, Specification Clarifications and Specification Changes tables.
September 1999	-007	Revised Errata E45. Updated DP Platform Population Matrix for the Pentium III Processor with 100 MHz System Bus. Updated datasheet references to include the latest supported frequency.
October 1999	-008	Added Errata E47. Updated the <i>Pentium III Processor Identification and Package Information</i> table. Added the <i>DP Platform Population Matrix for the Pentium III Processor with 133 MHz System Bus</i> table. Added Brand ID column to <i>Identification Information</i> . Updated datasheet references to include the latest supported frequency.
November 1999	-009	Added Errata E48 and E49. Added Documentation Change E3. Added new stepping column in the <i>Summary of Changes</i> tables. Updated the <i>Pentium® III Processor Identification Information</i> tables. Updated <i>Mixed Steppings in DP System</i> section. Updated the <i>Pentium® III Process Identification Information</i> table. Updated references.
December 1999	-010	Updated document references in Preface to include new Pentium III processor datasheets. Updated errata E10, E11, E19, and E32 in the <i>Summary of Errata</i> table. Added Errata E50-E58. Added Documentation Change E4. Added Specification Clarification E3. Added Specification Changes E4 and E5.
December 1999	-011	Corrected an error in the <i>Summary of Errata</i> table. Erratum E56 was

REVISION HISTORY

Date of Revision	Version	Description
		incorrectly shown as applying to the Ca2 stepping. Erratum E56 does NOT apply to the Ca2 stepping.
January 2000	-012	Updated Preface to include new Pentium III processor datasheets. Added 800-MHz Pentium III processor information to the <i>DP Platform Population Matrix</i> tables and the <i>Pentium® III Processor Identification and Packaging Information</i> table. Added note 10 to the <i>Pentium® III Processor Identification and Packaging Information</i> table and updated Notes column and other table data. Updated erratum E51. Added Errata E59-E62. Added Documentation Change E5. Added Specification Change E6.
February 2000	-013	Updated Errata E49 and E61. Added Documentation Change E6. Updated the <i>Pentium® III Processor Identification Information</i> . Updated S-Spec SL365. Updated Summary of Changes product letter codes.
March 2000	-014	Updated Preface to include new Pentium III processor datasheet. Updated <i>Pentium® III Processor Identification and Package Information</i> table. Updated <i>Summary of Errata</i> , <i>Summary of Documentation Changes</i> , <i>Summary of Specification Clarifications</i> <i>Summary of Specification Changes</i> tables with Cb0 stepping. Updated Erratum E48.
March 2000	-015	Special Launch Edition: Updated the new Cb0 stepping information. Updated the document references in the Preface. Updated DP population table.
April 2000	-016	Updated Processor Identification Information table. Updated DP Population Tables. Added Errata E63 & E64.
May 2000	-017	Updated <i>Pentium III Processor Identification and Package Information</i> table. Updated Errata E64. Added Errata E65 & E66.
June 2000	-018	Updated Processor Identification, Summary of Errata, and Summary of Specification Changes tables. Updated Dual Processor Tables. Added new Specification Change E7.
July 2000	-019	Added new errata E67 & E68. Updated Processor Identification Table. Edited erratum E36. Updated Processor Identification, Summary of Errata, Summary of Documentation Changes, Summary of Specification Clarifications, Summary of Specification Changes tables with cC0 Stepping.
August 2000	-020	Added new Erratum E69. Updated Dual Processor Matrix. Updated Dual Processor Matrix. Updated Processor Identification Table with new C0 step CPUs.
September 2000	-021	Added New Errata E70 & E71. Added Re-Writes for Errata E28, E48, & E62. Added New Documentation Changes E7 & E8. Updated Dual Processor Matrix, removed TBDs. Updated Processor Identification Table.

REVISION HISTORY

Date of Revision	Version	Description
October 2000	-022	Updated <i>Pentium® III Processor Identification Information</i> table. Updated Dual Processor Matrix. Added New Errata E72 and E73. Added New Documentation Changes E9 and E10.
November 2000	-023	Updated Processor Identification Table. Added New Erratum E73.
December 2000	-024	Updated Specification Update product key to include the Intel® Pentium® 4 processor, Revised Erratum E2. Added new Documentation Changes E11 – E16.
January 2001	-025	Revised Erratum E2. Added new Documentation Changes E17 and E18. Updated Processor Identification Table.
February 2001	-026	Added new Documentation Change E19. Revised Documentation Change E17.
March 2001	-027	Added new Errata E74 and E75.
March 2001	-028	Added erratum E76
May 2001	-029	Revised Erratum E76 to Fixed. Updated processor identification table. Updated the tables in the <i>Mixed Steppings in DP Systems</i> section.
June 2001	-030	Updated note 18 in the <i>Pentium® III Processor Identification and Package Information</i> table. Updated Specification Update product key to include the Intel® Xeon™ processor
June 2001	-031	Special Launch Edition: Added package marking information under General Section. Added new S spec info into processor table. Updated Dual Processor tables. Updated Summary of Errata, Summary of Documentation, Summary of Specification Clarifications, and Summary of Changes tables. Added Errata E77 & E78.
July 2001	-032	Added new S spec info into processor table. Revised package marking information under General Section. Updated Dual Processor tables. Deleted duplicate information in the processor ID table.
August 2001	-033	Added new errata E79 and E80. Updated DP Matrix Tables
October 2001	-034	Changed word “motherboard” to “baseboard” in erratum E78
November 2001	-035	Updated DP population matrix for new tA1 parts. Added Doc Changes E20, E21, E22, E23, and E24.

PREFACE

This document is an update to the specifications contained in the following documents:

- *Pentium® III Processor for the SC242 at 450 MHz to 1.13 GHz* datasheet (Order Number 244452)
- *Pentium® III Processor for the PGA370 Socket up to 1.13 GHz* datasheet (Order Number 245264)
- *Intel Architecture Software Developer's Manual, Volumes 1, 2 and 3* (Order Numbers 243190, 243191, and 243192, respectively)

It is intended for hardware system manufacturers and software developers of applications, operating systems, or tools. It contains S-Specs, Errata, Documentation Changes, Specification Clarifications, and Specification Changes.

Nomenclature

S-Spec Number is a five-digit code used to identify products. Products are differentiated by their unique characteristics, e.g., core speed, L2 cache size, package type, etc., as described in the processor identification information table. Care should be taken to read all notes associated with each S-Spec number.

Errata are design defects or errors. Errata may cause the Pentium III processor's behavior to deviate from published specifications. Hardware and software designed to be used with any given processor must assume that all errata documented for that processor are present on all devices unless otherwise noted.

Documentation Changes include typos, errors, or omissions from the current published specifications. These changes will be incorporated in the next release of the specifications.

Specification Clarifications describe a specification in greater detail or further highlight a specification's impact to a complex design situation. These clarifications will be incorporated in the next release of the specifications.

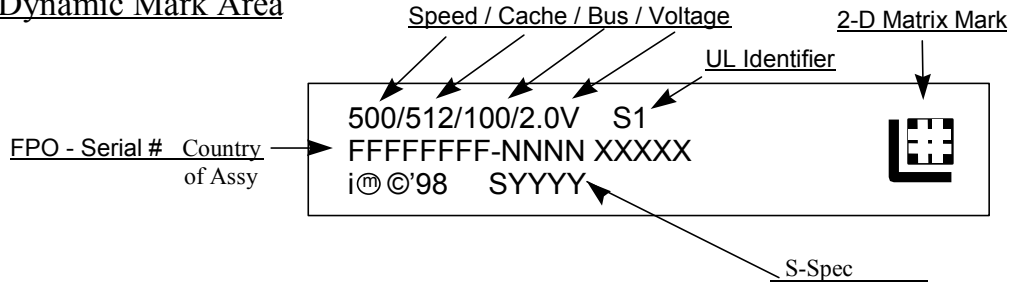
Specification Changes are modifications to the current published specifications for the Pentium III processor. These changes will be incorporated in the next release of the appropriate documentation(s).

**Specification Update for the
Pentium® III Processor**

GENERAL INFORMATION

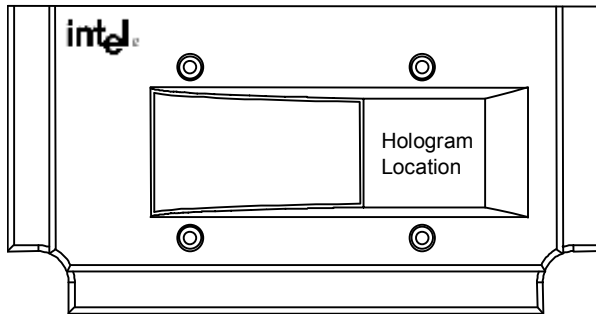
Pentium® III Processor and Boxed Pentium® III Processor Markings

Dynamic Mark Area

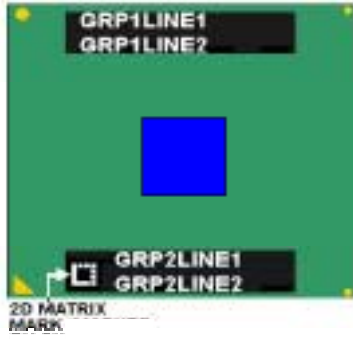


Pentium® III Processor Markings

SECC2/Slot 1 Package



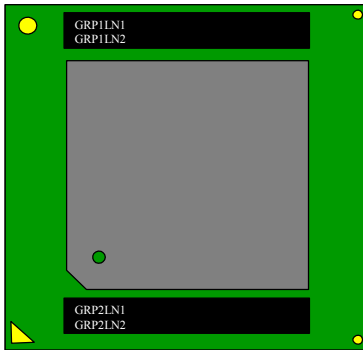
FC-PGA 370 Pin Package



GRP1LN1: INTEL (m)(c) '01_ _{COO}
GRP1LN2: {Speed}/{Cache}/{Bus}/{Voltage}

GRP2LN1: {FPO}-{S/N}
GRP2LN2: PENTIUM III {S-Spec}

FC-PGA2 370 Pin Package



GRP1LN1: INTEL (m)(c) '01_ _{Country of Origin}
GRP1LN2: {Core freq}/{Cache}/{Bus Freq}/{Voltage}

GRP2LN1: {FPO}-{S/N}
GRP2LN2: PENTIUM III {S-Spec} or PENTIUM III-S {S-Spec}

Note: S above applies to 06BxH 512KB cache processor



IDENTIFICATION INFORMATION

The Pentium® III processor can be identified by the following values:

Family ¹	Model ²	Brand ID ³
0110	0111	00h = Not Supported
0110	1000	02h = "Intel® Pentium® III Processor"

NOTES:

1. The Family corresponds to bits [11:8] of the EDX register after RESET, bits [11:8] of the EAX register after the CPUID instruction is executed with a 1 in the EAX register, and the generation field of the Device ID register accessible through Boundary Scan.
2. The Model corresponds to bits [7:4] of the EDX register after RESET, bits [7:4] of the EAX register after the CPUID instruction is executed with a 1 in the EAX register, and the model field of the Device ID register accessible through Boundary Scan.
3. The Brand ID corresponds to bits [7:0] of the EBX register after the CPUID instruction is executed with a 1 in the EAX register.

The Pentium III processor's second level (L2) cache size can be determined by the following register contents:

512-Kbyte Unified L2 Cache¹	43h
256-Kbyte 8 way set associative 32byte line size, L2 Cache¹	82h
512-Kbyte 8 way set associative 32byte line size, L2 Cache¹	83h

NOTE:

1. For the Pentium III processor, the unified L2 cache size corresponds to a token in the EDX register after the CPUID instruction is executed with a 2 in the EAX register. Other Intel microprocessor models or families may move this information to other bit positions or otherwise reformat the result returned by this instruction; generic code should parse the resulting token stream according to the definition of the CPUID instruction.



Mixed Steppings in DP Systems

Intel Corporation fully supports mixed steppings of Pentium III processors. The following list and processor matrix describes the requirements to support mixed steppings:

- Mixed steppings are only supported with processors that have identical family and model number as indicated by the CPUID instruction.
- While Intel has done nothing to specifically prevent processors operating at differing frequencies from functioning within a multiprocessor system, there may be uncharacterized errata that exist in such configurations. Intel does not support such configurations. In mixed stepping systems, all processors must operate at identical frequencies (i.e., the highest frequency rating commonly supported by all processors).
- While there are no known issues associated with the mixing of processors with differing cache sizes in a dual processor system, and Intel has done nothing to specifically prevent such system configurations from operating, Intel does not support such configurations since there may be uncharacterized errata that exist. In dual processor systems, all processors must be of the same cache size.
- While Intel believes that certain customers may wish to perform validation of system configurations with mixed frequency or cache sizes, and that those efforts are an acceptable option to our customers, customers would be fully responsible for the validation of such configurations.
- The workarounds identified in this and following specification updates must be properly applied to each processor in the system. Certain errata are specific to the dual processor environment and are identified in the *Mixed Stepping Processor Matrix* found at the end of this section. Errata for all processor steppings will affect system performance if not properly worked around. Also see the "Pentium® III Processor Identification and Package Information" table for additional details on which processors are affected by specific errata.
 - In dual processor systems, the processor with the lowest feature-set, as determined by the CPUID Feature Bytes, must be the Bootstrap Processor (BSP). In the event of a tie in feature-set, the tie should be resolved by selecting the BSP as the processor with the lowest stepping as determined by the CPUID instruction.

In the following processor matrix a number indicates that a known issue has been identified as listed in the table following the matrix. A dual processor system using mixed processor steppings must assure that errata are addressed appropriately for each processor.



DP Platform Population Matrix for the Pentium® III Processor with 100-MHz System Bus in the SECC and SECC2 Packages

Pentium® III Processor Stepping	450 MHz kB0	500 MHz kB0	450 MHz kC0	500 MHz kC0	550 MHz kC0	600 MHz kC0	600E MHz cA2	650 MHz cA2	700 MHz cA2	750 MHz cA2	800 MHz cA2	550E MHz cB0	600E MHz cB0	650 MHz cB0	700 MHz cB0	750 MHz cB0	800 MHz cB0	850 MHz cB0	600E MHz cC0	650 MHz cC0	700 MHz cC0	750 MHz cC0	800 MHz cC0	850 MHz cC0	1 GHz cC0
450-MHz kB0	NI	X	NI	X	X	X	X	X	X	X	X	X	X	X	X	X	X	X	X	X	X	X	X	X	X
500-MHz kB0	X	NI	X	NI	X	X	X	X	X	X	X	X	X	X	X	X	X	X	X	X	X	X	X	X	X
450-MHz kC0	NI	X	NI	X	X	X	X	X	X	X	X	X	X	X	X	X	X	X	X	X	X	X	X	X	X
500-MHz kC0	X	NI	X	NI	X	X	X	X	X	X	X	X	X	X	X	X	X	X	X	X	X	X	X	X	X
550-MHz kC0	X	X	X	X	NI	X	X	X	X	X	X	X	X	X	X	X	X	X	X	X	X	X	X	X	X
600-MHz kC0	X	X	X	X	X	NI	X	X	X	X	X	X	X	X	X	X	X	X	X	X	X	X	X	X	X
600E-MHz cA2	X	X	X	X	X	X	NI	X	X	X	X	X	NI	X	X	X	X	X	NI	X	X	X	X	X	X
650-MHz cA2	X	X	X	X	X	X	X	NI	X	X	X	X	X	NI	X	X	X	X	X	NI	X	X	X	X	X
700-MHz cA2	X	X	X	X	X	X	X	X	NI	X	X	X	X	X	NI	X	X	X	X	X	NI	X	X	X	X
750-MHz cA2	X	X	X	X	X	X	X	X	X	NI	X	X	X	X	X	NI	X	X	X	X	X	NI	X	X	X
800 MHz cA2	X	X	X	X	X	X	X	X	X	X	NI	X	X	X	X	X	NI	X	X	X	X	X	X	NI	X
550E MHz cB0	X	X	X	X	X	X	X	X	X	X	X	NI	X	X	X	X	X	X	X	X	X	X	X	X	X
600E MHz cB0	X	X	X	X	X	X	NI	X	X	X	X	X	NI	X	X	X	X	X	NI	X	X	X	X	X	X
650 MHz cB0	X	X	X	X	X	X	X	NI	X	X	X	X	X	NI	X	X	X	X	X	NI	X	X	X	X	X
700 MHz cB0	X	X	X	X	X	X	X	X	NI	X	X	X	X	X	NI	X	X	X	X	X	NI	X	X	X	X
750 MHz cB0	X	X	X	X	X	X	X	X	X	NI	X	X	X	X	X	NI	X	X	X	X	X	NI	X	X	X
800 MHz cB0	X	X	X	X	X	X	X	X	X	X	NI	X	X	X	X	X	NI	X	X	X	X	X	X	NI	X
850 MHz cB0	X	X	X	X	X	X	X	X	X	X	X	X	X	X	X	X	X	NI	X	X	X	X	X	NI	X
600E-MHz cC0	X	X	X	X	X	X	NI	X	X	X	X	X	NI	X	X	X	X	X	NI	X	X	X	X	X	X
650 MHz cC0	X	X	X	X	X	X	X	NI	X	X	X	X	X	NI	X	X	X	X	X	NI	X	X	X	X	X
700 MHz cC0	X	X	X	X	X	X	X	X	NI	X	X	X	X	X	NI	X	X	X	X	X	NI	X	X	X	X
750-MHz cC0	X	X	X	X	X	X	X	X	X	NI	X	X	X	X	X	NI	X	X	X	X	X	NI	X	X	X
800 MHz cC0	X	X	X	X	X	X	X	X	X	X	NI	X	X	X	X	X	NI	X	X	X	X	X	NI	X	X
850 MHz cC0	X	X	X	X	X	X	X	X	X	X	X	X	X	X	X	X	X	NI	X	X	X	X	X	NI	X
1 GHz cC0	X	X	X	X	X	X	X	X	X	X	X	X	X	X	X	X	X	X	X	X	X	X	X	X	NI

Notes:

- X= Mixing processors at different frequencies is not supported. This stepping/frequency not supported in DP.
- NI= Currently no known issues associated with mixing these steppings.



DP Platform Population Matrix for the Pentium® III Processor with 133-MHz System Bus in the SECC and SECC2 Package from 533MHz to 733MHz

Pentium® III Processor Stepping	533B MHz kB0	533B MHz kC0	600B MHz kC0	533EB MHz cA2	600EB MHz cA2	667 MHz cA2	733 MHz cA2	533EB MHz cB0	600EB MHz cB0	667 MHz cB0	733 MHz cB0	600EB MHz cC0	667 MHz cC0	733 MHz cC0
533B-MHz kB0	NI	NI	X	X	X	X	X	X	X	X	X	X	X	X
533B-MHz kC0	NI	NI	X	X	X	X	X	X	X	X	X	X	X	X
600B-MHz kC0	X	X	NI	X	X	X	X	X	X	X	X	X	X	X
533EB-MHz cA2	X	X	X	NI	X	X	X	NI	X	X	X	X	X	X
600EB-MHz cA2	X	X	X	X	NI	X	X	X	NI	X	X	NI	X	X
667-MHz cA2	X	X	X	X	X	NI	X	X	X	NI	X	X	NI	X
733-MHz cA2	X	X	X	X	X	X	NI	X	X	X	NI	X	X	NI
533EB MHz cB0	X	X	X	NI	X	X	X	NI	X	X	X	X	X	X
600EB MHz cB0	X	X	X	X	NI	X	X	X	NI	X	X	NI	X	X
667 MHz cB0	X	X	X	X	X	NI	X	X	X	NI	X	X	NI	X
733 MHz cB0	X	X	X	X	X	X	NI	X	X	X	NI	X	X	NI
600EB-MHz cC0	X	X	X	X	NI	X	X	X	NI	X	X	NI	X	X
667-MHz cC0	X	X	X	X	X	NI	X	X	X	NI	X	X	NI	X
733-MHz cC0	X	X	X	X	X	X	NI	X	X	X	NI	X	X	NI

NOTES:

- X= Mixing processors at different frequencies is not supported. This stepping/frequency is not supported in Dual Processor.
- NI= Currently no known issues associated with mixing these steppings.



DP Platform Population Matrix for the Pentium® III Processor with 133-MHz System Bus in the SECC and SECC2 Package from 800MHz to 1.13GHz

Pentium® III Processor Stepping	800EB MHz cA2	800EB MHz cB0	866 MHz cB0	933 MHz cB0,	1B GHz cB0	800EB MHz cC0	866 MHz cC0,	933 MHz cC0,	1B GHz cC0	1.13 GHz cC0
800EB-MHz cA2	NI	NI	X	X	X	NI	X	X	X	X
800EB MHz cB0	NI	NI	X	X	X	NI	X	X	X	X
866 MHz cB0	X	X	NI	X	X	X	NI	X	X	X
933 MHz cB0	X	X	X	NI	X	X	X	NI	X	X
1B GHz cB0	X	X	X	X	X	X	X	X	X	X
800EB MHz cC0	NI	NI	X	X	X	NI	X	X	X	X
866 MHz cC0	X	X	NI	X	X	X	NI	X	X	X
933 MHz cC0	X	X	X	NI	X	X	X	NI	X	X
1B GHz cC0	X	X	X	X	X	X	X	X	NI	X
1.13 GHz cC0	X	X	X	X	X	X	X	X	X	X

NOTES:

- X= Mixing processors at different frequencies is not supported. This stepping/frequency is not supported in Dual Processor.
- NI= Currently no known issues associated with mixing these steppings.

DP Platform Population Matrix for the Pentium® III Processor with 100-MHz System Bus in the FC-PGA370 Package from 500 MHz to 650 MHz

Pentium® III Processor Stepping	500E MHz cB0	550E MHz cB0	600E MHz cB0	650 MHz cB0	600E MHz cC0	650 MHz cC0	600E MHz cD0
500E-MHz cB0	NI	X	X	X	X	X	X
550E-MHz cB0	X	NI	X	X	X	X	X
600E-MHz cB0	X	X	NI	X	X	X	NI
650-MHz cB0	X	X	X	NI	X	X	X
600E-MHz cC0	X	X	X	X	NI	X	NI
650-MHz cC0	X	X	X	X	X	NI	X
600E-MHz cD0	X	X	X	X	NI	X	NI



PENTIUM® III PROCESSOR SPECIFICATION UPDATE

DP Platform Population Matrix for the Pentium® III Processor with 100-MHz System Bus in the FC-PGA 370 Pin Package from 700 MHz to 1.10 GHz

Pentium® III Processor Stepping	700 MHz cB0	750 MHz cB0	800 MHz cB0	850 MHz cB0	700 MHz cC0	750 MHz cC0	800 MHz cC0	850 MHz cC0	900 MHz cC0	700 MHz cD0	750 MHz cD0	800 MHz cD0	850 MHz cD0	900 MHz cD0	1 GHz cD0	1.10 GHz cD0
700-MHz cB0	NI	X	X	X	NI	X	X	X	X	NI	X	X	X	X	X	X
750-MHz cB0	X	NI	X	X	X	NI	X	X	X	X	NI	X	X	X	X	X
800-MHz cB0	X	X	NI	X	X	X	NI	X	X	X	X	NI	X	X	X	X
850-MHz cB0	X	X	X	NI	X	X	X	NI	X	X	X	X	NI	X	X	X
700-MHz cC0	NI	X	X	X	NI	X	X	X	X	NI	X	X	X	X	X	X
750-MHz cC0	X	NI	X	X	X	NI	X	X	X	X	NI	X	X	X	X	X
800-MHz cC0	X	X	NI	X	X	X	NI	X	X	X	X	NI	X	X	X	X
850-MHz cC0	X	X	X	NI	X	X	X	NI	X	X	X	X	NI	X	X	X
900-MHz cC0	X	X	X	X	X	X	X	X	NI	X	X	X	X	NI	X	X
700-MHz cD0	NI	X	X	X	NI	X	X	X	X	NI	X	X	X	X	X	X
750-MHz cD0	X	NI	X	X	X	NI	X	X	X	X	NI	X	X	X	X	X
800-MHz cD0	X	X	NI	X	X	X	NI	X	X	X	X	NI	X	X	X	X
850-MHz cD0	X	X	X	NI	X	X	X	NI	X	X	X	X	NI	X	X	X
900-MHz cD0	X	X	X	X	X	X	X	X	NI	X	X	X	X	NI	X	X
1 GHz cD0	X	X	X	X	X	X	X	X	X	X	X	X	X	X	NI	X
1.10GHz cD0	X	X	X	X	X	X	X	X	X	X	X	X	X	X	X	NI

NOTES:

- X= Mixing processors at different frequencies is not supported.
- NI= Currently no known issues associated with mixing these steppings.
- TBD= No issues are expected, however further investigation is required to fully validate this DP solution.



PENTIUM® III PROCESSOR SPECIFICATION UPDATE

DP Platform Population Matrix for the Pentium® III Processor with 133-MHz System Bus in the FC-PGA370 Package from 533 MHz to 800 MHz

Pentium® III Processor Stepping	533E B MHz cB0	600E B MHz cB0	667 MHz cB0	733 MHz cB0	800E B MHz cB0	866 MHz cB0	933 MHz cB0	600E B MHz cC0	667 MHz cC0	733 MHz cC0	800 EB MHz cC0	733 MHz cD0	800E B MHz cD0
533EB-MHz cB0	NI	X	X	X	X	X	X	X	X	X	X	X	X
600EB-MHz cB0	X	NI	X	X	X	X	X	NI	X	X	X	X	X
667-MHz cB0	X	X	NI	X	X	X	X	X	NI	X	X	X	X
733-MHz cB0	X	X	X	NI	X	X	X	X	X	NI	X	NI	X
800EB-MHz cB0	X	X	X	X	NI	X	X	X	X	X	NI	X	NI
866-MHz cB0	X	X	X	X	X	NI	X	X	X	X	X	X	X
933-MHz cB0	X	X	X	X	X	X	NI	X	X	X	X	X	X
600EB-MHz cC0	X	NI	X	X	X	X	X	NI	X	X	X	X	X
667-MHz cC0	X	X	NI	X	X	X	X	X	NI	X	X	X	X
733-MHz cC0	X	X	X	NI	X	X	X	X	X	NI	X	X	X
800EB-MHz cC0	X	X	X	X	NI	X	X	X	X	X	NI	X	X
733-MHz cD0	X	X	X	NI	X	X	X	X	X	NI	X	NI	X
800EB-MHz cD0	X	X	X	X	NI	X	X	X	X	X	NI	X	NI

NOTES:

- X= Mixing processors at different frequencies is not supported.
- NI= Currently no known issues associated with mixing these steppings.
- TBD= No issues are expected, however further investigation is required to fully validate this DP solution.

DP Platform Population Matrix for the Pentium® III Processor with 133-MHz System Bus in the FC-PGA370 Package from 866 MHz to 1 GHz

Pentium® III Processor Stepping	866 MHz cB0	933 MHz cB0	866 MHz cC0	933 MHz cC0	1B GHz cC0	866 MHz cD0	933 MHz cD0	1B GHz cD0
866-MHz cB0	NI	X	NI	X	X	NI	X	X
933-MHz cB0	X	NI	X	NI	X	X	NI	X
866-MHz cC0	NI	X	NI	X	X	NI	X	X
933-MHz cC0	X	NI	X	NI	X	X	NI	X
1B-GHz cC0	X	X	X	X	NI	X	X	NI
866-MHz cD0	NI	X	NI	X	X	NI	X	X
933-MHz cD0	X	NI	X	NI	X	X	NI	X
1B-GHz cD0	X	X	X	X	NI	X	X	NI

NOTES:

- X= Mixing processors at different frequencies is not supported.
- NI= Currently no known issues associated with mixing these steppings.
- TBD= No issues are expected, however further investigation is required to fully validate this DP solution.



DP Platform Population Matrix for the Pentium® III Processor with 133-MHz System Bus in the FC-PGA2 Package from 866 MHz to 1.4 GHz and uFCBGA2 Package for 800 MHz.

Pentium® III Processor Stepping	866 MHz cD0	933 MHz cD0	1B GHz cD0	1.13 GHz cD0	800 MHz tA1	1 GHz tA1	1.13 GHz tA1	1.26 GHz tA1	1.4 GHz tA1
866-MHz cD0	NI	X	X	X	X	X	X	X	X
933-MHz cD0	X	NI	X	X	X	X	X	X	X
1B-GHz cD0	X	X	NI	X	X	X	X	X	X
1.13-GHz cD0	X	X	X	NI	X	X	X	X	X
800-MHz tA1 (uFCBGA2)	X	X	X	X	NI	X	X	X	X
1-GHz tA1	X	X	X	X	X	NI	X	X	X
1.13-GHz tA1	X	X	X	X	X	X	NI	X	X
1.26-GHz tA1	X	X	X	X	X	X	X	NI	X
1.4-GHz tA1	X	X	X	X	X	X	X	X	NI

NOTES:

- X= Mixing processors at different frequencies is not supported.
- NI= Currently no known issues associated with mixing these steppings.
- TBD= No issues are expected, however further investigation is required to fully validate this DP solution.



PENTIUM® III PROCESSOR SPECIFICATION UPDATE

Pentium® III Processor Identification and Package Information

S-Spec	Core Steppings	CPUID	Speed (MHz) Core/Bus ¹¹	L2 Size (Kbytes)	Tag RAM/ Steppings	ECC/ Non-ECC	Processor Substrate Revision	Package and Revision	Notes
SL364	kB0	0672h	450/100	512	T6P-e/A0	ECC	D	SECC2 [†]	1, 2, 4
SL365	kB0	0672h	500/100	512	T6P-e/A0	ECC	D	SECC2 [†]	1, 2, 4, 8
SL3CC	kB0	0672h	450/100	512	T6P-e/A0	ECC	D	SECC2 [†]	1, 2, 3, 4
SL3CD	kB0	0672h	500/100	512	T6P-e/A0	ECC	D	SECC2 [†]	1, 2, 3, 4
SL38E	kB0	0672h	450/100	512	T6P-e/A0	ECC	D	S.E.C.C	1, 2, 4
SL38F	kB0	0672h	500/100	512	T6P-e/A0	ECC	D	S.E.C.C	1, 2, 4
SL35D	kC0	0673h	450/100	512	T6P-e/A0	ECC	E	SECC2 [†]	1, 4
SL37C	kC0	0673h	450/100	512	T6P-e/A0	ECC	E	SECC2 [†]	1, 3, 4
SL35E	kC0	0673h	500/100	512	T6P-e/A0	ECC	E	SECC2 [†]	1, 4
SL37D	kC0	0673h	500/100	512	T6P-e/A0	ECC	E	SECC2 [†]	1, 3, 4
SL3F7	kC0	0673h	550/100	512	T6P-e/A0	ECC	E	SECC2 [†]	1, 4
SL3FJ	kC0	0673h	550/100	512	T6P-e/A0	ECC	E	SECC2 [†]	1, 3, 4
SL3BN	kC0	0673h	533B/133	512	T6P-e/A0	ECC	E	SECC2 [†]	1, 4, 10
SL3E9	kC0	0673h	533B/133	512	T6P-e/A0	ECC	E	SECC2 [†]	1, 3, 4, 10
SL3JM	kC0	0673h	600/100	512	T6P-e/A0	ECC	E	SECC2 [†]	1, 4
SL3JT	kC0	0673h	600/100	512	T6P-e/A0	ECC	E	SECC2 [†]	1, 3, 4
SL3JP	kC0	0673h	600B/133	512	T6p-e/A0	ECC	E	SECC2 [†]	1, 4, 10
SL3JU	kC0	0673h	600B/133	512	T6P-e/A0	ECC	E	SECC2 [†]	1, 3, 4, 10
SL3Q9	cA2	0681h	500E/100	256	N/A	ECC	B	FC-PGA (370 pin)	9, 10
SL3R2	cA2	0681h	500E/100	256	N/A	ECC	B	FC-PGA (370 pin)	7, 9, 10
SL3VF	cA2	0681h	533EB/133	256	N/A	ECC	B	FC-PGA (370 pin)	9, 10
SL3VA	cA2	0681h	533EB/133	256	N/A	ECC	B	FC-PGA (370 pin)	7, 9, 10
SL3QA	cA2	0681h	550E/100	256	N/A	ECC	B	FC-PGA (370 pin)	9, 10
SL3R3	cA2	0681h	550E/100	256	N/A	ECC	B	FC-PGA (370 pin)	7, 9, 10
SL3VH	cA2	0681h	600E/100	256	N/A	ECC	B	FC-PGA (370 pin)	9, 10



PENTIUM® III PROCESSOR SPECIFICATION UPDATE

Pentium® III Processor Identification and Package Information

S-Spec	Core Steppings	CPUID	Speed (MHz) Core/Bus ¹¹	L2 Size (Kbytes)	Tag RAM/ Steppings	ECC/ Non-ECC	Processor Substrate Revision	Package and Revision	Notes
SL3NL	cA2	0681h	600E/100	256	N/A	ECC	B	FC-PGA (370 pin)	7, 9, 10
SL3VG	cA2	0681h	600EB/133	256	N/A	ECC	B	FC-PGA (370 pin)	9, 10
SL3VB	cA2	0681h	600EB/133	256	N/A	ECC	B	FC-PGA (370 pin)	7, 9, 10
SL3VJ	cA2	0681h	650/100	256	N/A	ECC	B	FC-PGA (370 pin)	9
SL3NM	cA2	0681h	650/100	256	N/A	ECC	B	FC-PGA (370 pin)	7, 9
SL3VK	cA2	0681h	667/133	256	N/A	ECC	B	FC-PGA (370 pin)	9
SL3T2	cA2	0681h	667/133	256	N/A	ECC	B	FC-PGA (370 pin)	7, 9
SL3VL	cA2	0681h	700/100	256	N/A	ECC	B	FC-PGA (370 pin)	9
SL3T3	cA2	0681h	700/100	256	N/A	ECC	B	FC-PGA (370 pin)	7, 9
SL3VM	cA2	0681h	733/133	256	N/A	ECC	B	FC-PGA (370 pin)	9
SL3T4	cA2	0681h	733/133	256	N/A	ECC	B	FC-PGA (370 pin)	7, 9
SL3VN	cA2	0681h	750/100	256	N/A	ECC	B	FC-PGA (370 pin)	9
SL3VC	cA2	0681h	750/100	256	N/A	ECC	B	FC-PGA (370 pin)	7, 9
SL3WB	cA2	0681h	800EB/133	256	N/A	ECC	B	FC-PGA (370 pin)	9, 10
SL3VE	cA2	0681h	800EB/133	256	N/A	ECC	B	FC-PGA (370 pin)	7, 9, 10
SL3X4	cA2	0681h	800/100	256	N/A	ECC	B	FC-PGA (370 pin)	9, 10
SL3VD	cA2	0681h	800/100	256	N/A	ECC	B	FC-PGA (370 pin)	7, 9, 10
SL444	cB0	0683h	500E/100	256	N/A	ECC	B	FC-PGA (370 pin)	10
SL446	cB0	0683h	500E/100	256	N/A	ECC	B	FC-PGA (370 pin)	10
SL45R	cB0	0683h	500E/100	256	N/A	ECC	B	FC-PGA (370 pin)	10, 7
SL3XS	cB0	0683h	533EB/133	256	N/A	ECC	B	FC-PGA (370 pin)	10



PENTIUM® III PROCESSOR SPECIFICATION UPDATE

Pentium® III Processor Identification and Package Information

S-Spec	Core Steppings	CPUID	Speed (MHz) Core/Bus ¹¹	L2 Size (Kbytes)	Tag RAM/ Steppings	ECC/ Non-ECC	Processor Substrate Revision	Package and Revision	Notes
SL45S	cB0	0683h	533EB/133	256	N/A	ECC	B	FC-PGA (370 pin)	10, 7
SL44G	cB0	0683h	550E/100	256	N/A	ECC	B	FC-PGA (370 pin)	7
SL45T	cB0	0683h	550E/100	256	N/A	ECC	B	FC-PGA (370 pin)	10, 7
SL3XT	cB0	0683h	600EB/133	256	N/A	ECC	B	FC-PGA (370 pin)	10
SL45V	cB0	0683h	600EB/133	256	N/A	ECC	B	FC-PGA (370 pin)	10, 7
SL3XU	cB0	0683h	600E/100	256	N/A	ECC	B	FC-PGA (370 pin)	10
SL45U	cB0	0683h	600E/100	256	N/A	ECC	B	FC-PGA (370 pin)	10, 7
SL3XV	cB0	0683h	650/100	256	N/A	ECC	B	FC-PGA (370 pin)	
SL45W	cB0	0683h	650/100	256	N/A	ECC	B	FC-PGA (370 pin)	7
SL3XW	cB0	0683h	667/133	256	N/A	ECC	B	FC-PGA (370 pin)	
SL45X	cB0	0683h	667/133	256	N/A	ECC	B	FC-PGA (370 pin)	7
SL3XX	cB0	0683h	700/100	256	N/A	ECC	B	FC-PGA (370 pin)	
SL45Y	cB0	0683h	700/100	256	N/A	ECC	B	FC-PGA (370 pin)	7
SL45Z	cB0	0683h	733/133	256	N/A	ECC	B	FC-PGA (370 pin)	7
SL3XY	cB0	0683h	733/133	256	N/A	ECC	B	FC-PGA (370 pin)	
SL3XZ	cB0	0683h	750/100	256	N/A	ECC	B	FC-PGA (370 pin)	
SL462	cB0	0683h	750/100	256	N/A	ECC	B	FC-PGA (370 pin)	7
SL3Y2	cB0	0683h	800EB/133	256	N/A	ECC	B	FC-PGA (370 pin)	10
SL464	cB0	0683h	800EB/133	256	N/A	ECC	B	FC-PGA (370 pin)	7, 10
SL3Y3	cB0	0683h	800/100	256	N/A	ECC	B	FC-PGA (370 pin)	10
SL463	cB0	0683h	800/100	256	N/A	ECC	B	FC-PGA (370 pin)	7, 10



PENTIUM® III PROCESSOR SPECIFICATION UPDATE

Pentium® III Processor Identification and Package Information

S-Spec	Core Steppings	CPUID	Speed (MHz) Core/Bus ¹¹	L2 Size (Kbytes)	Tag RAM/ Steppings	ECC/ Non-ECC	Processor Substrate Revision	Package and Revision	Notes
SL43H	cB0	0683h	850/100	256	N/A	ECC	B	FC-PGA (370 pin)	
SL49G	cB0	0683h	850/100	256	N/A	ECC	B	FC-PGA (370 pin)	7
SL43J	cB0	0683h	866/133	256	N/A	ECC	B	FC-PGA (370 pin)	
SL49H	cB0	0683h	866/133	256	N/A	ECC	B	FC-PGA (370 pin)	7
SL44J	cB0	0683h	933/133	256	N/A	ECC	B	FC-PGA (370 pin)	
SL49J	cB0	0683h	933/133	256	N/A	ECC	B	FC-PGA (370 pin)	7
SL4CM	cC0	0686h	600E/100	256	N/A	ECC	C	FC-PGA (370 pin)	
SL4CL	cC0	0686h	600EB/133	256	N/A	ECC	C	FC-PGA (370 pin)	
SL4CK	cC0	0686h	650/100	256	N/A	ECC	C	FC-PGA (370 pin)	
SL4CJ	cC0	0686h	667/133	256	N/A	ECC	C	FC-PGA (370 pin)	
SL4CH	cC0	0686h	700/100	256	N/A	ECC	C	FC-PGA (370 pin)	
SL4M7	cC0	0686h	700/100	256	N/A	ECC	C	FC-PGA (370 pin)	7, 13
SL4CG	cC0	0686h	733/133	256	N/A	ECC	C	FC-PGA (370 pin)	
SL4M8	cC0	0686h	733/133	256	N/A	ECC	C	FC-PGA (370 pin)	7, 13
SL4CF	cC0	0686h	750/100	256	N/A	ECC	C	FC-PGA (370 pin)	
SL4M9	cC0	0686h	750/100	256	N/A	ECC	C	FC-PGA (370 pin)	7, 13
SL4CE	cC0	0686h	800/100	256	N/A	ECC	C	FC-PGA (370 pin)	
SL4MA	cC0	0686h	800/100	256	N/A	ECC	C	FC-PGA (370 pin)	7, 13
SL4CD	cC0	0686h	800EB/133	256	N/A	ECC	C	FC-PGA (370 pin)	
SL4MB	cC0	0686h	800EB/133	256	N/A	ECC	C	FC-PGA (370 pin)	7, 13
SL4CC	cC0	0686h	850/100	256	N/A	ECC	C	FC-PGA (370 pin)	



PENTIUM® III PROCESSOR SPECIFICATION UPDATE

Pentium® III Processor Identification and Package Information

S-Spec	Core Steppings	CPUID	Speed (MHz) Core/Bus ¹¹	L2 Size (Kbytes)	Tag RAM/ Steppings	ECC/ Non-ECC	Processor Substrate Revision	Package and Revision	Notes
SL4MC	cC0	0686h	850/100	256	N/A	ECC	C	FC-PGA (370 pin)	7, 13
SL4CB	cC0	0686h	866/133	256	N/A	ECC	C	FC-PGA (370 pin)	
SL4MD	cC0	0686h	866/133	256	N/A	ECC	C	FC-PGA (370 pin)	7, 13
SL4SD	cC0	0686h	900/100	256	N/A	ECC	C	FC-PGA (370 pin)	
SL4C9	cC0	0686h	933/133	256	N/A	ECC	C	FC-PGA (370 pin)	
SL4ME	cC0	0686h	933/133	256	N/A	ECC	C	FC-PGA (370 pin)	7, 15
SL4C8	cC0	0686h	1B GHz/133	256	N/A	ECC	C	FC-PGA (370 pin)	
SL4MF	cC0	0686h	1B GHz/133	256	N/A	ECC	C	FC-PGA (370 pin)	15
SL4WM	cC0	0686h	1B GHz/133	256	N/A	ECC	C	FC-PGA (370 pin)	16
SL5BT	cD0	068Ah	600E/100	256	N/A	ECC	C	FC-PGA (370 pin)	N/A
SL4ZM	cD0	068Ah	700/100	256	N/A	ECC	C	FC-PGA (370 pin)	17
SL4ZL	cD0	068Ah	733/133	256	N/A	ECC	C	FC-PGA (370 pin)	17
SL4Z4	cD0	068Ah	750/100	256	N/A	ECC	C	FC-PGA (370 pin)	17
SL4ZN	cD0	068Ah	800/100	256	N/A	ECC	C	FC-PGA (370 pin)	17
SL52P	cD0	068Ah	800EB/133	256	N/A	ECC	C	FC-PGA (370 pin)	17
SL4Z2	cD0	068Ah	850/100	256	N/A	ECC	C	FC-PGA (370 pin)	17
SL49G	cD0	068Ah	850/100	256	N/A	ECC	C	FC-PGA (370 pin)	7, 17
SL4ZJ	cD0	068Ah	866/133	256	N/A	ECC	C	FC-PGA (370 pin)	17
SL49H	cD0	068Ah	866/133	256	N/A	ECC	C	FC-PGA (370 pin)	7, 17
SL5B5/	cD0	068Ah	866/133	256	N/A	ECC	C	FC-PGA (370 pin)	7, 17
SL5DX	cD0	068Ah	866/133	256	N/A	ECC	C	FC-PGA (370 pin)	7, 17



PENTIUM® III PROCESSOR SPECIFICATION UPDATE

Pentium® III Processor Identification and Package Information

S-Spec	Core Steppings	CPUID	Speed (MHz) Core/Bus ¹¹	L2 Size (Kbytes)	Tag RAM/ Steppings	ECC/ Non-ECC	Processor Substrate Revision	Package and Revision	Notes
SL5QE	cD0	068Ah	866/133	256	N/A	ECC	C	FC-PGA (370 pin)	17, 18
SL52Q	cD0	068Ah	933/133	256	N/A	ECC	C	FC-PGA (370 pin)	17
SL49J	cD0	068Ah	933/133	256	N/A	ECC	C	FC-PGA (370 pin)	7, 17
SL5DW	cD0	068Ah	933/133	256	N/A	ECC	C	FC-PGA (370 pin)	7, 17
SL5QV	cD0	068Ah	1GHz /100	256	N/A	ECC	C	FC-PGA (370 pin)	
SL52R	cD0	068Ah	1BGHz/133	256	N/A	ECC	C	FC-PGA (370 pin)	17
SL4F9	cD0	068Ah	1BGHz/133	256	N/A	ECC	C	FC-PGA (370 pin)	7, 17
SL5DV	cD0	068Ah	1BGHz/133	256	N/A	ECC	C	FC-PGA (370 pin)	7, 17
SL5QW	cD0	068Ah	1.10GHz /100	256	N/A	ECC	C	FC-PGA (370 pin)	
SL5B3	cD0	068Ah	1BGHz/133	256	N/A	ECC	C	FC-PGA 2 (370 pin)	19
SL5FQ	cD0	068Ah	1BGHz/133	256	N/A	ECC	C	FC-PGA 2 (370 pin)	7, 19
SL5B5	cD0	068Ah	866/133	256	N/A	ECC	C	FC-PGA 2 (370 pin)	7, 17
SL5QF	cD0	068Ah	933/133	256	N/A	ECC	C	FC-PGA (370 pin)	17, 18
SL5QJ	cD0	068Ah	1B GHz/133	256	N/A	ECC	C	FC-PGA2 (370 pin)	18, 19
SL4YV	cD0	068Ah	1.13 GHz/133	256	N/A	ECC	C	FC-PGA2 (370 pin)	19
SL5B2	cD0	068Ah	1.13 GHz/133	256	N/A	ECC	C	FC-PGA2 (370 pin)	17
SL4YV	cD0	068Ah	1.13 GHz/133	256	N/A	ECC	C	FC-PGA xvi(370 pin)	17
SL5QK	cD0	068Ah	1.13GHz/133	256	N/A	ECC	C	FC-PGA2 (370 pin)	18, 19,20
SL5GN	tA1	06B1h	1.2GHz /133	256	N/A	ECC		FC-PGA2 (370 pin)	
SL5PM	tA1	06B1h	1.2GHz /133	256	N/A	ECC		FC-PGA2 (370 pin)	7
SL5GQ	tA1	06B1h	1.13GHz/133	256	N/A	ECC		FC-PGA2 (370 pin)	



PENTIUM® III PROCESSOR SPECIFICATION UPDATE

Pentium® III Processor Identification and Package Information

S-Spec	Core Steppings	CPUID	Speed (MHz) Core/Bus ¹¹	L2 Size (Kbytes)	Tag RAM/ Steppings	ECC/ Non-ECC	Processor Substrate Revision	Package and Revision	Notes
SL5LT	tA1	06B1h	1.13GHz/133	256	N/A	ECC		FC-PGA2 (370 pin)	7
SL5GR	tA1	06B1h	1GHz-S /133	256	N/A	ECC		FC-PGA2 (370 pin)	
SL5PU	tA1	06B1h	1.13GHz-S /133	512	N/A	ECC		FC-PGA2 (370 pin)	20
SL5LV	tA1	06B1h	1.13GHz-S /133	512	N/A	ECC		FC-PGA2 (370 pin)	7, 20
SL5QL	tA1	06B1h	1.26 GHz-S /133	512	N/A	ECC		FC-PGA2 (370 pin)	20
SL5LW	tA1	06B1h	1.26 GHz-S /133	512	N/A	ECC		FC-PGA2 (370 pin)	7, 20
SL5LV	tA1	06B1h	1.13GHz-S /133	512	N/A	ECC		FC-PGA2 (370 pin)	7, 20
SL3H7	cA2	0681h	600EB/133	256	N/A	ECC	B	SECC2	10,20
SL3NB	cA2	0681h	600EB/133	256	N/A	ECC	B	SECC2	8,10,7,20
SL3KV	cA2	0681h	650/100	256	N/A	ECC	B	SECC2	10,7,20
SL3NR	cA2	0681h	650/100	256	N/A	ECC	B	SECC2	8,10,20
SL3KW	cA2	0681h	667/133	256	N/A	ECC	B	SECC2	7, 20
SL3SY	cA2	0681h	700/100	256	N/A	ECC	B	SECC2	8,10
SL3SB	cA2	0681h	700/100	256	N/A	ECC	B	SECC2	8,10
SL3S9	cA2	0681h	700/100	256	N/A	ECC	B	SECC2	8,10
SL3SZ	cA2	0681h	733/133	256	N/A	ECC	B	SECC2	8,10
SL3H6	cA2	0681h	600E/100	256	N/A	ECC	B	SECC2	8,10
SL3SB	cA2	0681h	733/133	256	N/A	ECC	B	SECC2	8,10
SL3ND	cA2	0681h	667/133	256	N/A	ECC	B	SECC2	8,10
SL3N6	cA2	0681h	533EB/133	256	N/A	ECC	B	SECC2	8,10
SL3SX	cA2	0681h	533EB/133	256	N/A	ECC	B	SECC2	8,10
SL3V5	cA2	0681h	550E/100	256	N/A	ECC	B	SECC2	8,10
SL3N7	cA2	0681h	550E/100	256	N/A	ECC	B	SECC2	8,10



PENTIUM® III PROCESSOR SPECIFICATION UPDATE

Pentium® III Processor Identification and Package Information

S-Spec	Core Steppings	CPUID	Speed (MHz) Core/Bus ¹¹	L2 Size (Kbytes)	Tag RAM/ Steppings	ECC/ Non-ECC	Processor Substrate Revision	Package and Revision	Notes
SL3NA	cA2	0681h	600E/100	256	N/A	ECC	B	SECC2	8, 10
SL3WC	cA2c	0681h	750/100	256	N/A	ECC	B	SECC2	8,10
SL3V6	cA2	0681h	750/100	256	N/A	ECC	B	SECC2	8, 10
SL3Z6	cA2	0681h	800/100	256	N/A	ECC	B	SECC2	8, 10
SL3V7	cA2	0681h	800/100	256	N/A	ECC	B	SECC2	8, 10
SL3WA	cA2	0681h	800EB/133	256	N/A	ECC	B	SECC2	8, 10
SL3V8	cA2	0681h	800EB/133	256	N/A	ECC	B	SECC2	8, 10
SL4G7	cA2	0681h	800EB/133	256	N/A	ECC	B	SECC2	8, 10
SL3XG	cB0	0683h	533EB/133	256	N/A	ECC	B	SECC2	8, 10
SL44W	cB0c	0683h	533EB/133	256	N/A	ECC	B	SECC2	8, 10
SL3XH	cB0	0683h	550E/100	256	N/A	ECC	B	SECC2	8, 10
SL44X	cB0	0683h	550E/100	256	N/A	ECC	B	SECC2	8, 10
SL43E	cB0	0683h	600E/100	256	N/A	ECC	B	SECC2	8, 10
SL44Y	cB0	0683h	600E/100	256	N/A	ECC	B	SECC2	8, 10
SL3XJ	cB0	0683h	600EB/133	256	N/A	ECC	B	SECC2	8, 10
SL44Z	cB0	0683h	600EB/133	256	N/A	ECC	B	SECC2	8, 10
SL3XK	cB0	0683h	650/100	256	N/A	ECC	B	SECC2	8, 10
SL452	cB0	0683h	650/100	256	N/A	ECC	B	SECC2	8, 10
SL3XL	cB0	0683h	667/133	256	N/A	ECC	B	SECC2	8, 10
SL453	cB0	0683h	667/133	256	N/A	ECC	B	SECC2	8, 10
SL3XM	cB0	0683h	700/100	256	N/A	ECC	B	SECC2	8, 10
SL454	cB0	0683h	700/100	256	N/A	ECC	B	SECC2	8, 10
SL3XN	cB0	0683h	733/133	256	N/A	ECC	B	SECC2	8, 10
SL455	cB0	0683h	733/133	256	N/A	ECC	B	SECC2	8, 10
SL3XP	cB0	0683h	750/100	256	N/A	ECC	B	SECC2	8, 10
SL456	cB0	0683h	750/100	256	N/A	ECC	B	SECC2	8, 10



PENTIUM® III PROCESSOR SPECIFICATION UPDATE

Pentium® III Processor Identification and Package Information

S-Spec	Core Steppings	CPUID	Speed (MHz) Core/Bus ¹¹	L2 Size (Kbytes)	Tag RAM/ Steppings	ECC/ Non-ECC	Processor Substrate Revision	Package and Revision	Notes
SL3XQ	cB0	0683h	800EB/133	256	N/A	ECC	B	SECC2	8, 10
SL458	cB0	0683h	800EB/133	256	N/A	ECC	B	SECC2	8, 10
SL3XR	cB0	0683h	800/100	256	N/A	ECC	B	SECC2	8, 10
SL457	cB0	0683h	800/100	256	N/A	ECC	B	SECC2	8, 10
SL43F	cB0	0683h	850/100	256	N/A	ECC	B	SECC2	8, 10
SL47M	cB0	0683h	850/100	256	N/A	ECC	B	SECC2	8, 10
SL43G	cB0	0683h	866/133	256	N/A	ECC	B	SECC2	8, 10
SL47N	cB0	0683h	866/133	256	N/A	ECC	B	SECC2	8, 10
SL448	cB0	0683h	933/133	256	N/A	ECC	B	SECC2	8, 10
SL47Q	cB0	0683h	933/133	256	N/A	ECC	B	SECC2	8, 10
SL4FP	cB0	0683h	1B GHz/133	256	N/A	ECC	B	SECC2	8, 10
SL48S	cB0	0683h	1B GHz /133	256	N/A	ECC	B	SECC2	8, 10
SL4C7	cC0	0686h	600E/100	256	N/A	ECC	B	SECC2	8, 10
SL4C6	cC0	0686h	600EB/133	256	N/A	ECC	B	SECC2	8, 10
SL4C5	cC0	0686h	650/100	256	N/A	ECC	B	SECC2	8, 10
SL4C4	cC0	0686h	667/133	256	N/A	ECC	B	SECC2	8, 10
SL4C3	cC0	0686h	700/100	256	N/A	ECC	B	SECC2	8, 10
SL4C2	cC0	0686h	733/133	256	N/A	ECC	B	SECC2	8, 10
SL4KD	cC0	0686h	733/133	256	N/A	ECC	B	SECC2	8, 10
SL4FQ	cC0	0686h	733/133	256	N/A	ECC	B	SECC2	8, 10
SL4BZ	cC0	0686h	750/100	256	N/A	ECC	B	SECC2	8, 10
SL4BY	cC0	0686h	800/100	256	N/A	ECC	B	SECC2	8, 10
SL4KF	cC0	0686h	800/100	256	N/A	ECC	B	SECC2	8, 10
SL4BX	cC0	0686h	800EB/133	256	N/A	ECC	B	SECC2	8, 10
SL4G7	cC0	0686h	800EB/133	256	N/A	ECC	B	SECC2	8, 10
SL4KG	cC0	0686h	800EB/133	256	N/A	ECC	B	SECC2	8, 10



PENTIUM® III PROCESSOR SPECIFICATION UPDATE

Pentium® III Processor Identification and Package Information

S-Spec	Core Steppings	CPUID	Speed (MHz) Core/Bus ^{†1}	L2 Size (Kbytes)	Tag RAM/Steppings	ECC/Non-ECC	Processor Substrate Revision	Package and Revision	Notes
SL4BW	cC0	0686h	850/100	256	N/A	ECC	B	SECC2	8, 10
SL4KH	cC0	0686h	850/100	256	N/A	ECC	B	SECC2	8, 10
SL4BV	cC0	0686h	866/133	256	N/A	ECC	B	SECC2	8, 10
SL4KJ	cC0	0686h	866/133	256	N/A	ECC	B	SECC2	8, 10
SL4BT	cC0	0686h	933/133	256	N/A	ECC	B	SECC2	8, 10
SL4KK	cC0	0686h	933/133	256	N/A	ECC	B	SECC2	8, 10
SL4BR	cC0	0686h	1 GHz/100	256	N/A	ECC	C	SECC2	15
SL4KL	cC0	0686h	1 GHz/100	256	N/A	ECC	C	SECC2	8
SL4BS	cC0	0686h	1B GHz/133	256	N/A	ECC	C	SECC2	10,15
SL4HH	cC0	0686h	1.13 GHz/133	256	N/A	ECC	C	SECC2	12,8

[†] Unless otherwise noted, all Pentium III processors in S.E.C.C.2 package have an OLGA package core.

NOTES:

- These parts will only operate at the specified core to bus frequency ratio at which they were manufactured and tested. It is not necessary to configure the core frequency ratios by using the A20M#, IGNEE#, LINT[1]/NMI and LINT[0]/INTR pins during RESET.
- These processors will not shut down automatically upon assertion of THERMTRIP#.
- This is a boxed processor with an attached heatsink.
- Performance-monitoring event counters do not reflect MOVD and MOVQ stores to memory on these processors.
- These parts will not assert THERMTRIP#, nor will they shut down in the event of an over-temperature condition (e.g., Tj = ~135° C).
- Pin AJ3 is removed from these parts.
- This is a boxed processor with an unattached fan heatsink.
- This is a boxed processor with an attached fan heatsink.
- These processors will not be validated in Dual Processor (DP) applications.
- The "E" and "B" designators distinguish between Pentium® III processors with the same core frequency but different system bus frequencies and/or cache implementations.
 B = 133 MHz System Bus
 E = Processors with "Advanced Transfer Cache" (CPUID 068x and greater only if a frequency overlap exists)
 If, for a given core frequency, Pentium III processors are only available with one system bus frequency and one cache implementation, the above designators will not be used (e.g., not all processors with "Advanced Transfer Cache" will have the "E" designation).
- Speeds will be marked as MHz up to but not including 1GHz. Speeds 1GHz and above will have the GHz marking.
- Vcc = 1.80V. Tj = 60°C for this 1.13 GHz processor with CPUID 0686.
- Tj = 80°C, Vcc = 1.70v.
- Vcc = 1.65V.
- Vcc = 1.70V for these cCX core steppings. Tj = 70°C for 1.0 GHz. Tj = 75°C for 933 MHz.
- This SL4WM S-spec part has a VID request of 1.70V, however the processor should be supplied 1.76V at the PGA Vcc



PENTIUM® III PROCESSOR SPECIFICATION UPDATE

- pins. See Pentium® III datasheet for further information.
17. Vcc=1.75V for cD0 Core Stepping (CPUID 068Ah). Tj=77 C for 933MHz and Tj=75 C for 1GHz. Tj=80 C for 866MHz to 700MHz.
 18. This processor is valid for low voltage system bus operation at 1.25V AGTL and normal 1.5V AGTL+ signal levels. This processor is also DP capable at the 1.25V AGTL system bus level. This processor will auto detect differential or single ended clocking.
 19. Vcc=1.75V for cD0 Core Stepping (CPUID 068Ah). Tcase=64 C for 1GHz. Tcase = 67 C for 1.13GHz. This package exists as an FC-PGA2 with Integrated Heat Spreader (IHS).
 20. These parts are intended for server design applications.



SUMMARY OF CHANGES

The following table indicates the Errata, Documentation Changes, Specification Clarifications, or Specification Changes that apply to Pentium III processors. Intel intends to fix some of the errata in a future stepping of the component, and to account for the other outstanding issues through documentation or specification changes as noted. This table uses the following notations:

CODES USED IN SUMMARY TABLE

X:	Erratum, Documentation Change, Specification Clarification, or Specification Change applies to the given processor stepping.
(No mark) or (blank box):	This item is fixed in or does not apply to the given stepping.
Fix:	This erratum is intended to be fixed in a future stepping of the component.
Fixed:	This erratum has been previously fixed.
NoFix:	There are no plans to fix this erratum.
Doc:	Intel intends to update the appropriate documentation in a future revision.
PKG:	This column refers to errata on the Pentium III processor substrate.
AP:	APIC related erratum.
Shaded:	This item is either new or modified from the previous version of the document.

Each Specification Update item is prefixed with a capital letter to distinguish the product. The key below details the letters that are used in Intel's microprocessor Specification Updates:

A = Intel® Pentium® II processor

B = Mobile Intel® Pentium® II processor

C = Intel® Celeron™ processor

D = Intel® Pentium® II Xeon™ processor

E = Intel® Pentium® III processor

G = Intel® Pentium® III Xeon™ processor

H = Mobile Intel® Celeron™ processor at 466MHz, 433MHz, 400MHz, 366MHz, 333MHz, 300MHz, and 266 MHz

K = Mobile Intel® Pentium® III processor

M = Mobile Intel® Celeron™ processor

N = Intel® Pentium® 4 processor

P = Intel® Xeon™ processor

The Specification Updates for the Pentium® processor, Pentium® Pro processor, and other Intel products do not use this convention.

Summary of Errata

NO.	kB0	kC0	cA2	cB0	cC0	cD0	tA1	PKG	Plans	ERRATA
E1	X	X	X	X	X	X	X		NoFix	FP data operand pointer may be incorrectly calculated after FP access which wraps 64-Kbyte boundary in 16-bit code
E2	X	X	X	X	X	X	X		NoFix	Differences exist in debug exception reporting
E3	X	X	X	X	X	X	X		NoFix	FLUSH# servicing delayed while waiting for STARTUP_IPI in 2-way MP systems
E4	X	X	X	X	X	X	X		NoFix	Code fetch matching disabled debug register may cause debug exception
E5	X	X	X	X	X	X	X		NoFix	Double ECC error on read may result in BINIT#
E6	X	X	X	X	X	X	X		NoFix	FP inexact-result exception flag may not be set
E7	X	X	X	X	X	X	X		NoFix	BTM for SMI will contain incorrect FROM EIP
E8	X	X	X	X	X	X	X		NoFix	I/O restart in SMM may fail after simultaneous MCE
E9	X	X	X	X	X	X	X		NoFix	Branch traps do not function if BTMs are also enabled
E10	X	X							Fixed	Checker BIST failure in FRC mode not signaled
E11	X	X							Fixed	BINIT# assertion causes FRCERR assertion in FRC mode
E12	X	X	X	X	X	X	X		NoFix	Machine check exception handler may not always execute successfully
E13	X	X	X	X	X	X	X		NoFix	MCE due to L2 parity error gives L1 MCACOD.LL
E14	X	X	X	X	X	X	X		NoFix	LBERR may be corrupted after some events
E15	X	X	X	X	X	X	X		NoFix	BTMs may be corrupted during simultaneous L1 cache line replacement
E16	X	X	X	X	X	X	X		NoFix	EFLAGS discrepancy on a page fault after a multiprocessor TLB shutdown
E17	X	X	X	X	X	X	X		NoFix	Near CALL to ESP creates unexpected EIP address
E18	X	X	X	X	X	X	X		NoFix	Memory type undefined for nonmemory operations

Summary of Errata

NO.	kB0	kC0	cA2	cB0	cC0	cD0	tA1	PKG	Plans	ERRATA
E19	X	X							Fixed	Infinite snoop stall during L2 initialization of MP systems
E20	X	X	X	X	X	X	X		NoFix	FP data operand pointer may not be zero after power on or Reset
E21	X	X	X	X	X	X	X		NoFix	MOVD following zeroing instruction can cause incorrect result
E22	X	X	X	X	X	X	X		NoFix	Premature execution of a load operation prior to exception handler invocation
E23	X	X	X	X	X	X	X		NoFix	Read portion of RMW instruction may execute twice
E24	X	X	X	X	X	X	X		NoFix	MC2_STATUS MSR has model-specific error code and machine check architecture error code reversed
E25	X	X	X	X	X	X	X		NoFix	Mixed cacheability of lock variables is problematic in MP systems
E26	X	X	X	X	X	X	X		NoFix	MOV with debug register causes debug exception
E27	X	X	X	X	X	X	X		NoFix	Upper four PAT entries not usable with Mode B or Mode C paging
E28	X	X	X	X	X	X	X		NoFix	Data breakpoint exception in a displacement relative near call may corrupt EIP
E29	X	X	X	X	X	X	X		NoFix	RDMSR and WRMSR to invalid MSR may not cause GP fault
E30	X	X	X	X	X	X	X		NoFix	SYSENTER/SYSEXIT instructions can implicitly load null segment selector to SS and CS registers
E31	X	X	X	X	X	X	X		NoFix	PRELOAD followed by EXTEST does not load boundary scan data
E32	X	X							Fixed	Far jump to new TSS with D-bit cleared may cause system hang
E33	X	X	X	X	X	X	X		NoFix	INT 1 instruction handler execution could generate a debug exception
E34	X								Fixed	COMISS/UCOMISS may not update EFLAGS under certain conditions
E35	X								Fixed	Transmission error on cache read
E36	X	X	X	X	X	X	X		NoFix	Potential loss of data coherency during MP data ownership transfer
E37	X	X	X	X	X	X	X		NoFix	Misaligned Locked access to APIC space results in hang



Summary of Errata

NO.	kB0	kC0	cA2	cB0	cC0	cD0	tA1	PKG	Plans	ERRATA
E38	X	X							Fixed	Floating-point exception signal may be deferred
E39	X	X	X	X	X	X	X		NoFix	Memory ordering based synchronization may cause a livelock condition in mp systems
E40	X								Fixed	System bus address parity generator may report false AERR#
E41	X	X	X	X	X	X	X		NoFix	System bus ECC not functional with 2:1 ratio
E42	X	X	X	X	X	X	X		NoFix	Processor may assert DRDY# on a write with no data
E43	X	X	X	X	X	X	X		NoFix	GP# fault on WRMSR to ROB_CR_BKUPTMPDR6
E44	X	X	X	X					Fixed	Machine check exception may occur due to improper line eviction in the IFU
E45	X	X	X						Fixed	Performance counters include Streaming SIMD Extensions L1 prefetch
E46	X	X	X	X	X				Fixed	Snoop request may cause DBSY# hang
E47	X	X	X	X	X	X	X		NoFix	Lower bits of SMRAM SMBASE register cannot be written with an ITP
E48	X	X	X						Fixed	Task Switch May Cause Wrong PTE and PDE Access Bit to be Set
E49	X	X	X	X	X	X	X		NoFix	Unsynchronized Cross-Modifying code operations can cause unexpected instruction execution results
E50			X						Fixed	Processor will erroneously report a BIST failure
E51			X						Fixed	Noise sensitivity issue on processor SMI# pin
E52			X						Fixed	Limitation on cache line ECC detection and correction
E53			X						Fixed	L2_LD and L2_M_LINES_OUTM performance-monitoring counters do not work
E54				X					Fixed	IFU/DCU deadlock may cause system hang
E55			X						Fixed	L2_DBUS_BUSY performance monitoring counter will not count writes



Summary of Errata

NO.	kB0	kC0	cA2	cB0	cC0	cD0	tA1	PKG	Plans	ERRATA
E56	X	X							Fixed	Incorrect sign may occur on X87 result due to indefinite QNaN result from streaming SIMD extensions multiply
E57	X	X	X	X					Fixed	Deadlock may occur due to illegal-instruction/page-miss combination
E58	X	X	X	X					Fixed	MASKMOVQ instruction interaction with string operation may cause deadlock
E59	X	X	X	X	X	X	X		NoFix	MOVD or CVTSD2SS following zeroing instruction can cause incorrect result
E60	X	X	X	X	X	X	X		NoFix	FLUSH# assertion following STPCLK# may prevent CPU clocks from stopping
E61			X						Fixed	Intermittent failure to assert ADS# during processor power-on
E62	X	X	X	X	X	X			Fixed	Floating-point exception condition may be deferred
E63	X								Fixed	THERMTRIP# may not be asserted as specified
E64			X	X					Fixed	Cache line reads may result in eviction of invalid data.
E65	X	X	X	X	X	X	X		NoFix	Snoop probe during FLUSH# could cause L2 to be left in shared state
E66	X	X	X	X					Fixed	Livelock may occur due to IFU line eviction
E67	X	X	X	X					Fixed	Selector for the LTR/LLDT register may get corrupted
E68	X	X	X	X	X	X	X		NoFix	INIT does not clear global entries in the TLB
E69	X	X	X	X	X	X	X		NoFix	VM bit will be cleared on a double fault handler
E70	X	X	X	X	X	X	X		NoFix	Memory aliasing with inconsistent A and D bits may cause processor deadlock
E71	X	X	X	X	X	X	X		NoFix	Use of memory aliasing with inconsistent memory type may cause system hang
E72	X	X	X	X	X	X	X		NoFix	Processor may report invalid TSS fault instead of Double fault during mode C paging
E73	X	X	X	X	X	X	X		NoFix	Machine check exception may occur when interleaving code between



PENTIUM® III PROCESSOR SPECIFICATION UPDATE

Summary of Errata

NO.	kB0	kC0	cA2	cB0	cC0	cD0	tA1	PKG	Plans	ERRATA
										different memory types
E74	X	X	X	X	X	X	X		NoFix	Wrong ESP register values during a fault in VM86 mode
E75	X	X	X	X	X	X	X		NoFix	APIC ICR write may cause interrupt not to be sent when ICR delivery bit pending
E76				X					Fixed	High temperature and low supply voltage operation may result in incorrect processor operation
E77	X	X	X	X	X	X	X		Fix	During Boundary Scan, BCLK not Sampled High When SLP# is Asserted Low
E78	X	X	X	X	X	X	X		NoFix	Incorrect assertion of THERMTRIP# Signal
E79						X			No Fix	Processor might not exit Sleep State properly upon de-assertion of CPUSLP# signal
E80	X	X	X	X	X	X	X ¹		NoFix	The Instruction Fetch Unit (IFU) may fetch instructions based upon stale CR3 data after a write to CR3 register
E1AP	X	X	X	X	X	X	X		NoFix	APIC access to cacheable memory causes SHUTDOWN
E2AP	X	X	X	X	X	X	X		NoFix	2-way MP systems may hang due to catastrophic errors during BSP determination
E3AP	X	X	X	X	X	X	X		NoFix	Write to mask LVT (programmed as EXTINT) will not deassert outstanding interrupt

* Fix will be only on Pentium® III processors with CPUID=068xh and not CPUID=067xh

Summary of Documentation Changes

NO.	kB0	kC0	cA2	cB0	cC0	cD0	tA1	PKG	Plans	DOCUMENTATION CHANGES
E1	X	X	X	X	X	X	X		Doc	STPCLK# pin definition
E2	X	X	X	X	X	X	X		Doc	Invalidating caches and TLBs
E3	X	X	X	X	X	X	X		Doc	Handling of self-modifying and cross-modifying code
E4	X	X	X	X	X	X	X		Doc	Machine check architecture initialization of MCI_STATUS registers
E5	X	X	X	X	X	X	X		Doc	LOCK# signal prefix operands
E6	X	X	X	X	X	X	X		Doc	SMRAM state save map contains documentation errors
E7	X	X	X	X	X	X	X		Doc	System Management Interrupt (SMI) during start-up IPI Clarification
E8	X	X	X	X	X	X	X		Doc	Memory aliasing with different memory types
E9	X	X	X	X	X	X	X		Doc	Runbist will not function when STPCLK# driven low
E10	X	X	X	X	X	X	X		Doc	Memory aliasing with inconsistent A & D bits may cause processor deadlock
E11	X	X	X	X	X	X	X		Doc	An Interrupt may occur while TSS is marked busy
E12	X	X	X	X	X	X	X		Doc	NMI unmasked early when processor is running in V86 mode
E13	X	X	X	X	X	X	X		Doc	P6 reads two bytes for POP SEG instruction
E14	X	X	X	X	X	X	X		Doc	APIC register offsets are aligned on 128 bit boundaries
E15	X	X	X	X	X	X	X		Doc	Single stepping of instructions breaks out of HLT state
E16	X	X	X	X	X	X	X		Doc	Additional signal resumes execution while in a HALT state
E17	X	X	X	X	X	X	X		Doc	PD PTR Loads are always uncacheable
E18	X	X	X	X	X	X	X		Doc	SMI during HALT causes PMC miscount of retired instructions
E19	X	X	X	X	X	X	X		Doc	INIT Message is not sent out through APIC
E20	X	X	X	X	X	X	X		Doc	Machine Check Exception detected when BINIT# drive enabled

Summary of Documentation Changes

NO.	kB0	kC0	cA2	cB0	cC0	cD0	tA1	PKG	Plans	DOCUMENTATION CHANGES
E21	X	X	X	X	X	X	X		Doc	The encoding of "Immediate to register" of "AND" instruction is missing.
E22	X	X	X	X	X	X	X		Doc	The 'reg' field of CMPXCHG8B instruction encoding must be 001
E23	X	X	X	X	X	X	X		Doc	SCAS/SCASB/SCASW/SCASD encoding operand is incorrect.
E24	X	X	X	X	X	X	X		Doc	XCHG encoding operand information is incorrect since there is no w bit for the 2nd operand form, therefore AL is not allowed.

Summary for Specification Clarifications

NO.	kB0	kC0	cA2	cB0	cC0	cD0	tA1	PKG	Plans	SPECIFICATION CLARIFICATIONS
E1	X	X	X	X	X	X	X		Doc	MTRR initialization clarification
E2	X	X	X	X	X	X	X		Doc	Floating-point opcode clarification
E3	X	X	X	X	X	X	X		Doc	Non-AGTL+ output low current clarification

Summary of Specification Changes

NO.	kB0	kC0	cA2	cB0	cC0	cD0	tA1	PKG	Plans	SPECIFICATION CHANGES
E1	X	X	X	X	X	X	X		Doc	FRCERR pin removed from specification
E2	X	X	X	X	X	X	X		Doc	Non-AGTL+ output leakage current change
E3	X	X	X	X	X	X	X		Doc	RESET# pin definition
E4	X	X	X	X	X	X	X		Doc	Non-AGTL+ output low voltage change
E5	X	X	X	X	X	X	X		Doc	SECC2 processor package height change
E6			X	X	X	X	X		Doc	AGTL+ output valid delay change
E7				X	X	X	X		Doc	Pentium® III 256K FC-PGA Vcc transient spec change

ERRATA

E1. FP Data Operand Pointer May Be Incorrectly Calculated After FP Access Which Wraps 64-Kbyte Boundary in 16-Bit Code

Problem: The FP Data Operand Pointer is the effective address of the operand associated with the last non-control floating-point instruction executed by the machine. If an 80-bit floating-point access (load or store) occurs in a 16-bit mode other than protected mode (in which case the access will produce a segment limit violation), the memory access wraps a 64-Kbyte boundary, and the floating-point environment is subsequently saved, the value contained in the FP Data Operand Pointer may be incorrect.

Implication: A 32-bit operating system running 16-bit floating-point code may encounter this erratum, under the following conditions:

- The operating system is using a segment greater than 64 Kbytes in size.
- An application is running in a 16-bit mode other than protected mode.
- An 80-bit floating-point load or store which wraps the 64-Kbyte boundary is executed.
- The operating system performs a floating-point environment store (FSAVE/FNSAVE/FASTENV/FNSTENV) after the above memory access.
- The operating system uses the value contained in the FP Data Operand Pointer.

Wrapping an 80-bit floating-point load around a segment boundary in this way is not a normal programming practice. Intel has not currently identified any software which exhibits this behavior.

Workaround: If the FP Data Operand Pointer is used in an OS which may run 16-bit floating-point code, care must be taken to ensure that no 80-bit floating-point accesses are wrapped around a 64-Kbyte boundary.

Status: For the steppings affected see the *Summary of Changes* at the beginning of this section.

E2. Differences Exist in Debug Exception Reporting

Problem: There exist some differences in the reporting of code and data breakpoint matches between that specified by previous Intel processor specifications and the behavior of the processor, as described below:

Case 1: The first case is for a breakpoint set on a MOVSS or POPSS instruction, when the instruction following it causes a debug register protection fault (DR7.gd is already set, enabling the fault). The processor reports delayed data breakpoint matches from the MOVSS or POPSS instructions by setting the matching DR6.bi bits, along with the debug register protection fault (DR6.bd). If additional breakpoint faults are matched during the call of the debug fault handler, the processor sets the breakpoint match bits (DR6.bi) to reflect the breakpoints matched by both the MOVSS or POPSS breakpoint and the debug fault handler call. The processor only sets DR6.bd in either situation, and does not set any of the DR6.bi bits.

Case 2: In the second breakpoint reporting failure case, if a MOVSS or POPSS instruction with a data breakpoint is followed by a store to memory which:

a) crosses a 4-Kbyte page boundary,

OR

b) causes the page table Access or Dirty (A/D) bits to be modified,

the breakpoint information for the MOVSS or POPSS will be lost. Previous processors retain this information under these boundary conditions.

Case 3: If they occur after a MOVSS or POPSS instruction, the INTn, INTO, and INT3 instructions zero the DR6.bi bits (bits B0 through B3), clearing pending breakpoint information, unlike previous processors.

Case 4: If a data breakpoint and an SMI (System Management Interrupt) occur simultaneously, the SMI will be serviced via a call to the SMM handler, and the pending breakpoint will be lost.

Case 5: When an instruction that accesses a debug register is executed, and a breakpoint is encountered on the instruction, the breakpoint is reported twice.

Case 6: Unlike previous versions of Intel Architecture processors, P6 family processors will not set the Bi bits for a matching disabled breakpoint unless at least one other breakpoint is enabled.

Implication: When debugging or when developing debuggers for a P6 family processor-based system, this behavior should be noted. Normal usage of the MOVSS or POPSS instructions (i.e., following them with a MOV ESP) will not exhibit the behavior of cases 1-3. Debugging in conjunction with SMM will be limited by case 4.

Workaround: Following MOVSS and POPSS instructions with a MOV ESP instruction when using breakpoints will avoid the first three cases of this erratum. No workaround has been identified for cases 4, 5, or 6.

Status: For the steppings affected see the *Summary of Changes* at the beginning of this section.

E3. FLUSH# Servicing Delayed While Waiting for STARTUP_IPI in 2-way MP Systems

Problem: In a 2-way MP system, if an application processor is waiting for a startup inter-processor interrupt (STARTUP_IPI), then it will not service a FLUSH# pin assertion until it has received the STARTUP_IPI.

Implication: After the 2-way MP initialization protocol, only one processor becomes the bootstrap processor (BSP). The other processor becomes a slave application processor (AP). After losing the BSP arbitration, the AP goes into a wait loop, waiting for a STARTUP_IPI.

The BSP can wake up the AP to perform some tasks with a STARTUP_IPI, and then put it back to sleep with an initialization inter-processor interrupt (INIT_IPI, which has the same effect as asserting INIT#), which returns it to a wait loop. The result is a possible loss of cache coherency if the off-line processor is intended to service a FLUSH# assertion at this point. The FLUSH# will be serviced as soon as the processor is awakened by a STARTUP_IPI, before any other instructions are executed. Intel has not encountered any operating systems that are affected by this erratum.

Workaround: Operating system developers should take care to execute a WBINVD instruction before the AP is taken off-line using an INIT_IPI.

Status: For the steppings affected see the *Summary of Changes* at the beginning of this section.

E4. Code Fetch Matching Disabled Debug Register May Cause Debug Exception

Problem: The bits L0-3 and G0-3 enable breakpoints local to a task and global to all tasks, respectively. If one of these bits is set, a breakpoint is enabled, corresponding to the addresses in the debug registers DR0-DR3. If at least one of these breakpoints is enabled, any of these registers are *disabled* (i.e., L_n and G_n are 0), and RW_n for the disabled register is 00 (indicating a breakpoint on instruction execution), normally an instruction fetch will not cause an instruction-breakpoint fault based on a match with the address in the disabled register(s). However, if the address in a disabled register matches the address of a code fetch which also results in a page fault, an instruction-breakpoint fault will occur.

Implication: While debugging software, extraneous instruction-breakpoint faults may be encountered if breakpoint registers are not cleared when they are disabled. Debug software which does not implement a code breakpoint handler will fail, if this occurs. If a handler is present, the fault will be serviced. Mixing data and code may exacerbate this problem by allowing disabled data breakpoint registers to break on an instruction fetch.

Workaround: The debug handler should clear breakpoint registers before they become disabled.

Status: For the steppings affected see the *Summary of Changes* at the beginning of this section.

E5. Double ECC Error on Read May Result in BINIT#

Problem: For this erratum to occur, the following conditions must be met:

- Machine Check Exceptions (MCEs) must be enabled.
- A dataless transaction (such as a write invalidate) must be occurring simultaneously with a transaction which returns data (a normal read).
- The read data must contain a double-bit uncorrectable ECC error.

If these conditions are met, the Pentium III processor will not be able to determine which transaction was erroneous, and instead of generating an MCE, it will generate a BINIT#.

Implication: The bus will be reinitialized in this case. However, since a double-bit uncorrectable ECC error occurred on the read, the MCE handler (which is normally reached on a double-bit uncorrectable ECC error for a read) would most likely cause the same BINIT# event.

Workaround: Though the ability to drive BINIT# can be disabled in the Pentium III processor, which would prevent the effects of this erratum, overall system behavior would not improve, since the error which would normally cause a BINIT# would instead cause the machine to shut down. No other workaround has been identified.

Status: For the steppings affected see the *Summary of Changes* at the beginning of this section.

E6. FP Inexact-Result Exception Flag May Not Be Set

Problem: When the result of a floating-point operation is not exactly representable in the destination format (1/3 in binary form, for example), an inexact-result (precision) exception occurs. When this occurs, the PE bit (bit 5 of the FPU status word) is normally set by the processor. Under certain rare conditions, this bit may not be set when this rounding occurs. However, other actions taken by the processor (invoking the software exception handler if the exception is unmasked) are not affected. This erratum can only occur if the floating-point operation which causes the precision exception is immediately followed by one of the following instructions:

- FST m32real
- FST m64real
- FSTP m32real
- FSTP m64real
- FSTP m80real
- FIST m16int
- FIST m32int
- FISTP m16int
- FISTP m32int
- FISTP m64int

Note that even if this combination of instructions is encountered, there is also a dependency on the internal pipelining and execution state of both instructions in the processor.

Implication: Inexact-result exceptions are commonly masked or ignored by applications, as it happens frequently, and produces a rounded result acceptable to most applications. The PE bit of the FPU status word may not always be set upon receiving an inexact-result exception. Thus, if these exceptions are unmasked, a floating-point error exception handler may not recognize that a precision exception occurred. Note that this is a “sticky” bit, i.e., once set by an inexact-result condition, it remains set until cleared by software.

Workaround: This condition can be avoided by inserting two NOP instructions between the two floating-point instructions.

Status: For the steppings affected see the *Summary of Changes* at the beginning of this section.

E7. BTM for SMI Will Contain Incorrect FROM EIP

Problem: A system management interrupt (SMI) will produce a Branch Trace Message (BTM), if BTMs are enabled. However, the FROM EIP field of the BTM (used to determine the address of the instruction which was being executed when the SMI was serviced) will not have been updated for the SMI, so the field will report the same FROM EIP as the previous BTM.

Implication: A BTM which is issued for an SMI will not contain the correct FROM EIP, limiting the usefulness of BTMs for debugging software in conjunction with System Management Mode (SMM).

Workaround: None identified

Status: For the steppings affected see the *Summary of Changes* at the beginning of this section.

E8. I/O Restart in SMM May Fail After Simultaneous MCE

Problem: If an I/O instruction (IN, INS, REP INS, OUT, OUTS, or REP OUTS) is being executed, and if the data for this instruction becomes corrupted, the Pentium III processor will signal a machine check exception (MCE). If the instruction is directed at a device which is powered down, the processor may also receive an assertion of SMI#. Since MCEs have higher priority, the processor will call the MCE handler, and the SMI# assertion will remain pending. However, upon attempting to execute the first instruction of the MCE handler, the SMI# will be recognized and the processor will attempt to execute the SMM handler. If the SMM handler is completed successfully, it will attempt to restart the I/O instruction, but will not have the correct machine state, due to the call to the MCE handler.

Implication: A simultaneous MCE and SMI# assertion may occur for one of the I/O instructions above. The SMM handler may attempt to restart such an I/O instruction, but will have corrupted state due to the MCE handler call, leading to failure of the restart and shutdown of the processor.

Workaround: If a system implementation must support both SMM and MCEs, the first thing the SMM handler code (when an I/O restart is to be performed) should do is check for a pending MCE. If there is an MCE pending, the SMM handler should immediately exit via an RSM instruction and allow the machine check exception handler to execute. If there is not, the SMM handler may proceed with its normal operation.

Status: For the steppings affected see the *Summary of Changes* at the beginning of this section.

E9. Branch Traps Do Not Function If BTMs Are Also Enabled

Problem: If branch traps or branch trace messages (BTMs) are enabled alone, both function as expected. However, if both are enabled, only the BTMs will function, and the branch traps will be ignored.

Implication: The branch traps and branch trace message debugging features cannot be used together.

Workaround: If branch trap functionality is desired, BTMs must be disabled.

Status: For the steppings affected see the *Summary of Changes* at the beginning of this section.



E10. Checker BIST Failure in FRC Mode Not Signaled

Problem: If a system is running in functional redundancy checking (FRC) mode, and the checker of the master-checker pair encounters a hard failure while running the built-in self test (BIST), the checker will tri-state all outputs without signaling an IERR#.

Implication: Assuming the master passes BIST successfully, it will continue execution unchecked, operating without functional redundancy. However, the necessary pull-up on the FRCERR pin will cause an FRCERR to be signaled. The operation of the master depends on the implementation of FRCERR.

Workaround: For successful detection of BIST failure in the checker of an FRC pair, use the FRCERR signal, instead of IERR#.

Status: For the steppings affected see the *Summary of Changes* at the beginning of this section.

E11. BINIT# Assertion Causes FRCERR Assertion in FRC Mode

Problem: If a pair of Pentium III processors are running in functional redundancy checking (FRC) mode, and a catastrophic error condition causes BINIT# to be asserted, the checker in the master-checker pair will enter shutdown. The next bus transaction from the master will then result in the assertion of FRCERR.

Implication: Bus initialization via an assertion of BINIT# occurs as the result of a catastrophic error condition which precludes the continuing reliable execution of the system. Under normal circumstances, the master-checker pair would remain synchronized in the execution of the BINIT# handler. However, due to this erratum, an FRCERR will be signaled. System behavior then depends on the system specific error recovery mechanisms.

Workaround: None identified

Status: For the steppings affected see the *Summary of Changes* at the beginning of this section.

E12. Machine Check Exception Handler May Not Always Execute Successfully

Problem: An asynchronous machine check exception (MCE), such as a BINIT# event, which occurs during an access that splits a 4-Kbyte page boundary, may leave some internal registers in an indeterminate state. Thus, the MCE handler code may not always run successfully if an asynchronous MCE has occurred previously.

Implication: An MCE may not always result in the successful execution of the MCE handler. However, asynchronous MCEs usually occur upon detection of a catastrophic system condition that would also hang the processor. Leaving MCEs disabled will result in the condition which caused the asynchronous MCE instead causing the processor to enter shutdown. Therefore, leaving MCEs disabled may not improve overall system behavior.

Workaround: No workaround which would guarantee successful MCE handler execution under this condition has been identified.

Status: For the steppings affected see the *Summary of Changes* at the beginning of this section.

E13. MCE Due to L2 Parity Error Gives L1 MCACOD.LL

Problem: If a Cache Reply Parity (CRP) error, Cache Address Parity (CAP) error, or Cache Synchronous Error (CSER) occurs on an access to the Pentium III processor's L2 cache, the resulting Machine Check Architectural Error Code (MCACOD) will be logged with '01' in the LL field. This value indicates an L1 cache error; the value should be '10', indicating an L2 cache error. Note that L2 ECC errors have the correct value of '10' logged.

Implication: An L2 cache access error, other than an ECC error, will be improperly logged as an L1 cache error in MCACOD.LL.

Workaround: None identified

Status: For the steppings affected see the *Summary of Changes* at the beginning of this section.

E14. LBER May Be Corrupted After Some Events

Problem: The last branch record (LBR) and the last branch before exception record (LBER) can be used to determine the source and destination information for previous branches or exceptions. The LBR contains the source and destination addresses for the last branch or exception, and the LBER contains similar information for the last branch taken before the last exception. This information is typically used to determine the location of a branch which leads to execution of code which causes an exception. However, after a catastrophic bus condition which results in an assertion of BINIT# and the re-initialization of the buses, the value in the LBER may be corrupted. Also, after either a CALL which results in a fault or a software interrupt, the LBER and LBR will be updated to the same value, when the LBER should not have been updated.

Implication: The LBER and LBR registers are used only for debugging purposes. When this erratum occurs, the LBER will not contain reliable address information. The value of LBER should be used with caution when debugging branching code; if the values in the LBR and LBER are the same, then the LBER value is incorrect. Also, the value in the LBER should not be relied upon after a BINIT# event.

Workaround: None identified

Status: For the steppings affected see the *Summary of Changes* at the beginning of this section.

E15. BTMs May Be Corrupted During Simultaneous L1 Cache Line Replacement

Problem: When Branch Trace Messages (BTMs) are enabled and such a message is generated, the BTM may be corrupted when issued to the bus by the L1 cache if a new line of data is brought into the L1 data cache simultaneously. Though the new line being stored in the L1 cache is stored correctly, and no corruption occurs in the data, the information in the BTM may be incorrect due to the internal collision of the data line and the BTM.

Implication: Although BTMs may not be entirely reliable due to this erratum, the conditions necessary for this boundary condition to occur have only been exhibited during focused simulation testing. Intel has currently not observed this erratum in a system level validation environment.

Workaround: None identified

Status: For the steppings affected see the *Summary of Changes* at the beginning of this section.

E16. EFLAGS Discrepancy on a Page Fault After a Multiprocessor TLB Shutdown

Problem: This erratum may occur when the Pentium III processor executes one of the following read-modify-write arithmetic instructions and a page fault occurs during the store of the memory operand: ADD, AND, BTC, BTR, BTS, CMPXCHG, DEC, INC, NEG, NOT, OR, ROL/ROR, SAL/SAR/SHL/SHR, SHLD, SHRD, SUB, XOR, and XADD. In this case, the EFLAGS value pushed onto the stack of the page fault handler may reflect the status of the register after the instruction would have completed execution rather than before it. The following conditions are required for the store to generate a page fault and call the operating system page fault handler:

1. The store address entry must be evicted from the DTLB by speculative loads from other instructions that hit the same way of the DTLB before the store has completed. DTLB eviction requires at least three-load operations that have linear address bits 15:12 equal to each other and address bits 31:16 different from each other in close physical proximity to the arithmetic operation.
2. The page table entry for the store address must have its permissions tightened during the very small window of time between the DTLB eviction and execution of the store. Examples of page permission tightening include from Present to Not Present or from Read/Write to Read Only, etc.
3. Another processor, without corresponding synchronization and TLB flush, must cause the permission change.

Implication: This scenario may only occur on a multiprocessor platform running an operating system that performs “lazy” TLB shutdowns. The memory image of the EFLAGS register on the page fault handler’s stack prematurely contains the final arithmetic flag values although the instruction has not yet completed. Intel has not identified any operating systems that inspect the arithmetic portion of the EFLAGS register during a page fault nor observed this erratum in laboratory testing of software applications.

Workaround: No workaround is needed upon normal restart of the instruction, since this erratum is transparent to the faulting code and results in correct instruction behavior. Operating systems may ensure that no processor is currently accessing a page that is scheduled to have its page permissions tightened or have a page fault handler that ignores any incorrect state.

Status: For the steppings affected see the *Summary of Changes* at the beginning of this section.

E17. Near CALL to ESP Creates Unexpected EIP Address

Problem: As documented, the CALL instruction saves procedure linking information in the procedure stack and jumps to the called procedure specified with the destination (target) operand. The target operand specifies the address of the first instruction in the called procedure. This operand can be an immediate value, a general-purpose register, or a memory location. When accessing an absolute address indirectly using the stack pointer (ESP) as a base register, the base value used is the value in the ESP register before the instruction executes. However, when accessing an absolute address directly using ESP as the base register, the base value used is the value of ESP *after* the return value is pushed on the stack, not the value in the ESP register *before* the instruction executed.

Implication: Due to this erratum, the processor may transfer control to an unintended address. Results are unpredictable, depending on the particular application, and can range from no effect to the unexpected termination of the application due to an exception. Intel has observed this erratum only in a focused testing environment. Intel has not observed any commercially available operating system, application, or compiler that makes use of or generates this instruction.

Workaround: If the other seven general-purpose registers are unavailable for use, and it is necessary to do a CALL via the ESP register, first push ESP onto the stack, then perform an *indirect* call using ESP (e.g., CALL [ESP]). The saved version of ESP should be popped off the stack after the call returns.

Status: For the steppings affected see the *Summary of Changes* at the beginning of this section.

E18. Memory Type Undefined for Nonmemory Operations

Problem: The Memory Type field for nonmemory transactions such as I/O and Special Cycles are undefined. Although the Memory Type attribute for nonmemory operations logically should (and usually does) manifest itself as UC, this feature is not designed into the implementation and is therefore inconsistent.

Implication: Bus agents may decode a non-UC memory type for nonmemory bus transactions.

Workaround: Bus agents must consider transaction type to determine the validity of the Memory Type field for a transaction.

Status: For the steppings affected see the *Summary of Changes* at the beginning of this section.

E19. Infinite Snoop Stall During L2 Initialization of MP Systems

Problem: It is possible for snoop traffic generated on the system bus while a processor is executing its L2 cache initialization routine to cause the initializing processor to hang.

Implication: A DP (2-way) system which does not suppress snoop traffic while L2 caches are being initialized may hang during this initialization sequence.

Workaround: The system BIOS can create an execution environment which allows processors to initialize their L2 caches without the system generating any snoop traffic on the bus.

Below is a pseudo-code fragment, designed explicitly for a two-processor system, that uses a serial algorithm to initialize each processor's L2 cache:

```

Suppress_all_I/O_traffic()
K = 0;
while (K <= 1)
{
/* Obtain current value of K. This forces both Temp and K into */
/* the L1 cache. Note that Temp could also be maintained in a */
/* general purpose register. */

Temp = K;
Wait_until_all_processors_are_signed_in_at_barrier()
if ( logical_proc_APIC_id == K ) {
{
wait_10_usecs_delay_loop(); /* this time delay, required */
/* in the worst case, allows */
/* the barrier semaphore to */
/* settle to shared state. */
Initialize L2 cache
K++
}
else
while (Temp == K);
}
}

```

This algorithm prevents bus snoop traffic from the other processors, which would otherwise cause the initializing processor to hang. The algorithm assumes that the L1 cache is enabled (the Temp and K variables must be cached by each processor). Also, the Memory Type Range Register (MTRR) for the data segment must be set to WB (writeback) memory type.

Status: For the steppings affected see the *Summary of Changes* at the beginning of this section.



E20. FP Data Operand Pointer May Not Be Zero After Power On or Reset

Problem: The FP Data Operand Pointer, as specified, should be reset to zero upon power on or Reset by the processor. Due to this erratum, the FP Data Operand Pointer may be nonzero after power on or Reset.

Implication: Software which uses the FP Data Operand Pointer and count on its value being zero after power on or Reset without first executing an FINIT/FNINIT instruction will use an incorrect value, resulting in incorrect behavior of the software.

Workaround: Software should follow the recommendation in Section 8.2 of the *Intel Architecture Software Developer's Manual, Volume 3: System Programming Guide* (Order Number 243192). This recommendation states that if the FPU will be used, software-initialization code should execute an FINIT/FNINIT instruction following a hardware reset. This will correctly clear the FP Data Operand Pointer to zero.

Status: For the steppings affected see the *Summary of Changes* at the beginning of this section.

E21. MOVD Following Zeroing Instruction Can Cause Incorrect Result

Problem: An incorrect result may be calculated after the following circumstances occur:

1. A register has been zeroed with either a SUB reg, reg instruction or an XOR reg, reg instruction,
2. A value is moved with sign extension into the same register's lower 16 bits; or a signed integer multiply is performed to the same register's lower 16 bits,
3. This register is then copied to an MMX™ technology register using the MOVD instruction prior to any other operations on the sign-extended value.

Specifically, the sign may be incorrectly extended into bits 16-31 of the MMX technology register. Only the MMX technology register is affected by this erratum.

The erratum only occurs when the three following steps occur in the order shown. The erratum may occur with up to 40 intervening instructions that do not modify the sign-extended value between steps 2 and 3.

1. XOR EAX, EAX
or SUB EAX, EAX
2. MOVXSX AX, BL
or MOVXSX AX, byte ptr <memory address> or MOVXSX AX, BX
or MOVXSX AX, word ptr <memory address> or IMUL BL (AX implicit, opcode F6 /5)
or IMUL byte ptr <memory address> (AX implicit, opcode F6 /5) or IMUL AX, BX (opcode 0F AF /r)
or IMUL AX, word ptr <memory address> (opcode 0F AF /r) or IMUL AX, BX, 16 (opcode 6B /r ib)
or IMUL AX, word ptr <memory address>, 16 (opcode 6B /r ib) or IMUL AX, 8 (opcode 6B /r ib)
or IMUL AX, BX, 1024 (opcode 69 /r iw)
or IMUL AX, word ptr <memory address>, 1024 (opcode 69 /r iw) or IMUL AX, 1024 (opcode 69 /r iw)
or CBW
3. MOVD MM0, EAX

Note that the values for immediate byte/words are merely representative (i.e., 8, 16, 1024) and that any value in the range for the size may be affected. Also, note that this erratum may occur with "EAX" replaced with any 32-bit general-purpose register, and "AX" with the corresponding 16-bit version of that replacement. "BL" or "BX" can be replaced with any 8-bit or 16-bit general-purpose register. The CBW and IMUL (opcode F6 /5) instructions are specific to the EAX register only.

In the example, EAX is forced to contain 0 by the XOR or SUB instructions. Since the four types of the MOVXSX or IMUL instructions and the CBW instruction modify only bits 15:8 of EAX by sign extending the lower 8 bits of EAX, bits 31:16 of EAX should always contain 0. This implies that when MOVD copies EAX to MM0, bits 31:16 of MM0 should also be 0. Under certain scenarios, bits 31:16 of MM0 are not 0, but are replicas of bit 15 (the 16th bit) of AX. This is noticeable when the value in AX after the MOVXSX, IMUL, or CBW instruction is negative, i.e., bit 15 of AX is a 1.

When AX is positive (bit 15 of AX is a 0), MOVD will always produce the correct answer. If AX is negative (bit 15 of AX is a 1), MOVD may produce the right answer or the wrong answer depending on the point in time when the MOVD instruction is executed in relation to the MOVXSX, IMUL, or CBW instruction.

Implication: The effect of incorrect execution will vary from unnoticeable, due to the code sequence discarding the incorrect bits, to an application failure. If the MMX technology-enabled application in which MOVD is used to manipulate pixels, it is possible for one or more pixels to exhibit the wrong color or position momentarily. It is also possible for a computational application that uses the MOVD instruction in the manner described above to produce incorrect data. Note that this data may cause an unexpected page fault or general protection fault.

Workaround: There are two possible workarounds for this erratum:



1. Rather than using the MOVSX-MOVD, IMUL-MOVD, or CBW-MOVD pairing to handle one variable at a time, use the sign extension capabilities (PSRAW, etc.) within MMX technology for operating on multiple variables. This would result in higher performance as well.
2. Insert another operation that modifies or copies the sign-extended value between the MOVSX/IMUL/CBW instruction and the MOVD instruction as in the example below:
XOR EAX, EAX (or SUB EAX, EAX)
MOVSX AX, BL (or other MOVSX, other IMUL or CBW instruction)
*MOV EAX, EAX
MOVD MM0, EAX

*Note: MOV EAX, EAX is used here as it is fairly generic. Again, EAX can be any 32-bit register.

Status: For the steppings affected see the *Summary of Changes* at the beginning of this section.

E22. Premature Execution of a Load Operation Prior to Exception Handler Invocation

Problem: This erratum can occur with any of the following situations:

1. If an instruction that performs a memory load causes a code segment limit violation,
2. If a waiting floating-point instruction or MMX™ instruction that performs a memory load has a floating-point exception pending, or
3. If an MMX instruction that performs a memory load and has either CR0.EM =1 (Emulation bit set), or a floating-point Top-of-Stack (FP TOS) not equal to 0, or a DNA exception pending.

If any of the above circumstances occur it is possible that the load portion of the instruction will have executed before the exception handler is entered.

Implication: In normal code execution where the target of the load operation is to write back memory there is no impact from the load being prematurely executed, nor from the restart and subsequent re-execution of that instruction by the exception handler. If the target of the load is to uncached memory that has a system side-effect, restarting the instruction may cause unexpected system behavior due to the repetition of the side-effect.

Workaround: Code which performs loads from memory that has side-effects can effectively workaround this behavior by using simple integer-based load instructions when accessing side-effect memory and by ensuring that all code is written such that a code segment limit violation cannot occur as a part of reading from side-effect memory.

Status: For the steppings affected see the *Summary of Changes* at the beginning of this section.

E23. Read Portion of RMW Instruction May Execute Twice

Problem: When the Pentium III processor executes a read-modify-write (RMW) arithmetic instruction, with memory as the destination, it is possible for a page fault to occur during the execution of the store on the memory operand after the read operation has completed but before the write operation completes.

If the memory targeted for the instruction is UC (uncached), memory will observe the occurrence of the initial load before the page fault handler and again if the instruction is restarted.

Implication: This erratum has no effect if the memory targeted for the RMW instruction has no side-effects. If, however, the load targets a memory region that has side-effects, multiple occurrences of the initial load may lead to unpredictable system behavior.

Workaround: Hardware and software developers who write device drivers for custom hardware that may have a side-effect style of design should use simple loads and simple stores to transfer data to and from the device. Then, the memory location will simply be read twice with no additional implications.

Status: For the steppings affected see the *Summary of Changes* at the beginning of this section.

E24. MC2_STATUS MSR Has Model-Specific Error Code and Machine Check Architecture Error Code Reversed

Problem: The *Intel Architecture Software Developer's Manual, Volume 3: System Programming Guide*, documents that for the MC_i_STATUS MSR, bits 15:0 contain the MCA (machine-check architecture) error code field, and bits 31:16 contain the model-specific error code field. However, for the MC2_STATUS MSR, these bits have been reversed. For the MC2_STATUS MSR, bits 15:0 contain the model-specific error code field and bits 31:16 contain the MCA error code field.

Implication: A machine check error may be decoded incorrectly if this erratum on the MC2_STATUS MSR is not taken into account.

Workaround: When decoding the MC2_STATUS MSR, reverse the two error fields.

Status: For the steppings affected see the *Summary of Changes* at the beginning of this section.

E25. Mixed Cacheability of Lock Variables Is Problematic in MP Systems

Problem: This errata only affects multiprocessor systems where a lock variable address is marked cacheable in one processor and uncacheable in any others. The processors which have it marked uncacheable may stall indefinitely when accessing the lock variable. The stall is only encountered if:

- One processor has the lock variable cached, and is attempting to execute a cache lock.
- If the processor which has that address cached has it cached in its L2 only.
- Other processors, meanwhile, issue back to back accesses to that same address on the bus.

Implication: MP systems where all processors either use cache locks or consistent locks to uncacheable space will not encounter this problem. If, however, a lock variable's cacheability varies in different processors, and several processors are all attempting to perform the lock simultaneously, an indefinite stall may be experienced by the processors which have it marked uncacheable in locking the variable (if the conditions above are satisfied). Intel has only encountered this problem in focus testing with artificially generated external events. Intel has not currently identified any commercial software which exhibits this problem.

Workaround: Follow a homogenous model for the memory type range registers (MTRRs), ensuring that all processors have the same cacheability attributes for each region of memory; do not use locks whose memory type is cacheable on one processor, and uncacheable on others. Avoid page table aliasing, which may produce a nonhomogenous memory model.

Status: For the steppings affected see the *Summary of Changes* at the beginning of this section.

E26. MOV With Debug Register Causes Debug Exception

Problem: When in V86 mode, if a MOV instruction is executed on debug registers, a general-protection exception (#GP) should be generated, as documented in the *Intel Architecture Software Developer's Manual, Volume 3: System Programming Guide*, Section 14.2. However, in the case when the general detect enable flag (GD) bit is set, the observed behavior is that a debug exception (#DB) is generated instead.

Implication: With debug-register protection enabled (i.e., the GD bit set), when attempting to execute a MOV on debug registers in V86 mode, a debug exception will be generated instead of the expected general-protection fault.

Workaround: In general, operating systems do not set the GD bit when they are in V86 mode. The GD bit is generally set and used by debuggers. The debug exception handler should check that the exception did not occur in V86 mode before continuing. If the exception did occur in V86 mode, the exception may be directed to the general-protection exception handler.

Status: For the steppings affected see the *Summary of Changes* at the beginning of this section.

E27. Upper Four PAT Entries Not Usable With Mode B or Mode C Paging

Problem: The Page Attribute Table (PAT) contains eight entries, which must all be initialized and considered when setting up memory types for the Pentium III processor. However, in Mode B or Mode C paging, the upper four entries do not function correctly for 4-Kbyte pages. Specifically, bit 7 of page table entries that translate addresses to 4-Kbyte pages should be used as the upper bit of a 3-bit index to determine the PAT entry that specifies the memory type for the page. When Mode B (CR4.PSE = 1) and/or Mode C (CR4.PAE) are enabled, the processor forces this bit to zero when determining the memory type regardless of the value in the page table entry. The upper four entries of the PAT function correctly for 2-Mbyte and 4-Mbyte large pages (specified by bit 12 of the page directory entry for those translations).

Implication: Only the lower four PAT entries are useful for 4-KB translations when Mode B or C paging is used. In Mode A paging (4-Kbyte pages only), all eight entries may be used. All eight entries may be used for large pages in Mode B or C paging.

Workaround: None identified

Status: For the steppings affected see the *Summary of Changes* at the beginning of this section.

E28. Data Breakpoint Exception in a Displacement Relative Near Call May Corrupt EIP

Problem: If a misaligned data breakpoint is programmed to the same cache line as the memory location where the stack push of a near call is performed and any data breakpoints are enabled, the processor will update the stack and ESP appropriately, but may skip the code at the destination of the call. Hence, program execution will continue with the next instruction immediately following the call, instead of the target of the call.

Implication: The failure mechanism for this erratum is that the call would not be taken; therefore, instructions in the called subroutine would not be executed. As a result, any code relying on the execution of the subroutine will behave unpredictably.

Workaround: Whether enabled or not, do not program a misaligned data breakpoint to the same cache line on the stack where the push for the near call is performed.

Status: For the stepping affected see the Summary of Changes at the beginning of this section.

E29. RDMSR or WRMSR to Invalid MSR Address May Not Cause GP Fault

Problem: The RDMSR and WRMSR instructions allow reading or writing of MSRs (Model Specific Registers) based on the index number placed in ECX. The processor should reject access to any reserved or unimplemented MSRs by generating #GP(0). However, there are some invalid MSR addresses for which the processor will not generate #GP(0).

Implication: For RDMSR, undefined values will be read into EDX:EAX. For WRMSR, undefined processor behavior may result.

Workaround: Do not use invalid MSR addresses with RDMSR or WRMSR.

Status: For the steppings affected see the *Summary of Changes* at the beginning of this section.

E30. SYSENTER/SYSEXIT Instructions Can Implicitly Load “Null Segment Selector” to SS and CS Registers

Problem: According to the processor specification, attempting to load a null segment selector into the CS and SS segment registers should generate a General Protection Fault (#GP). Although loading a null segment selector to the other segment registers is allowed, the processor will generate an exception when the segment register holding a null selector is used to access memory.

However, the SYSENTER instruction can implicitly load a null value to the SS segment selector. This can occur if the value in SYSENTER_CS_MSR is between FFF8h and FFFBh when the SYSENTER instruction is executed. This behavior is part of the SYSENTER/SYSEXIT instruction definition; the content of the SYSTEM_CS_MSR is always incremented by 8 before it is loaded into the SS. This operation will set the null bit in the segment selector if a null result is generated, but it does not generate a #GP on the SYSENTER instruction itself. An exception will be generated as expected when the SS register is used to access memory, however.

The SYSEXIT instruction will also exhibit this behavior for both CS and SS when executed with the value in SYSENTER_CS_MSR between FFF0h and FFF3h, or between FFE8h and FFEbH, inclusive.

Implication: These instructions are intended for operating system use. If this erratum occurs (and the OS does not ensure that the processor never has a null segment selector in the SS or CS segment registers), the processor's behavior may become unpredictable, possibly resulting in system failure.

Workaround: Do not initialize the SYSTEM_CS_MSR with the values between FFF8h and FFFBh, FFF0h and FFF3h, or FFE8h and FFEbH before executing SYSENTER or SYSEXIT.

Status: For the steppings affected see the *Summary of Changes* at the beginning of this section.

E31. PRELOAD Followed by EXTEST Does Not Load Boundary Scan Data

Problem: According to the IEEE 1149.1 Standard, the EXTEST instruction would use data “typically loaded onto the latched parallel outputs of boundary-scan shift-register stages using the SAMPLE/PRELOAD instruction prior to the selection of the EXTEST instruction.” As a result of this erratum, this method cannot be used to load the data onto the outputs.

Implication: Using the PRELOAD instruction prior to the EXTEST instruction will not produce expected data after the completion of EXTEST.

Workaround: None identified

Status: For the steppings affected see the *Summary of Changes* at the beginning of this section.

E32. Far Jump to New TSS With D-bit Cleared May Cause System Hang

Problem: A task switch may be performed by executing a far jump through a task gate or to a new Task State Segment (TSS) directly. Normally, when such a jump to a new TSS occurs, the D-bit (which indicates that the page referenced by a Page Table Entry (PTE) has been modified) for the PTE which maps the location of the previous TSS will already be set, and the processor will operate as expected. However, if the D-bit is clear at the time of the jump to the new TSS, the processor will hang.

Implication: If an OS is used which can clear the D-bit for system pages, and which jumps to a new TSS on a task switch, then a condition may occur which results in a system hang. Intel has not identified any commercial software which may encounter this condition; this erratum was discovered in a focused testing environment.

Workaround: Ensure that OS code does not clear the D-bit for system pages (including any pages that contain a task gate or TSS). Use task gates rather than jumping to a new TSS when performing a task switch.

Status: For the steppings affected see the *Summary of Changes* at the beginning of this section.

E33. INT 1 Instruction Handler Execution Could Generate a Debug Exception

Problem: If the processor's general detect enable flag is set and an explicit call is made to the interrupt procedure via the INT 1 instruction, the general detect enable flag should be cleared prior to entering the handler. As a result of this erratum, the flag is not cleared prior to entering the handler. If an access is made to the debug registers while inside of the handler, the state of the general detect enable flag will cause a second debug exception to be taken. The second debug exception clears the general detect enable flag and returns control to the handler which is now able to access the debug registers.

Implication: This erratum will generate an unexpected debug exception upon accessing the debug registers while inside of the INT 1 handler.

Workaround: Ignore the second debug exception that is taken as a result of this erratum.

Status: For the steppings affected see the *Summary of Changes* at the beginning of this section.

E34. COMISS/UCOMISS May Not Update Eflags Under Certain Conditions

Problem: COMISS/UCOMISS instructions compare the least significant pairs of packed single-precision floating-point numbers and set the ZF, PF, and CF bits in the EFLAGS register accordingly (the OF, SF, and AF bits are cleared). Under certain conditions when a memory location is loaded into cache, the EFLAGS may not get set.

Implication: The result of the incorrect status of the EFLAGS may range from no effect to an unexpected application/OS behavior.

Workaround: It is possible for BIOS code to contain a workaround for this erratum.

Status: For the steppings affected see the *Summary of Changes* at the beginning of this section.

E35. Transmission Error on Cache Read

Problem: During reads of the L2 cache, the processor may use certain L2 cache optimizations that may result in a data transmission error.

Implication: Data corruption caused by this erratum will result in unpredictable system behavior.

Workaround: It is possible for BIOS code to contain a workaround for this erratum.

Status: For the steppings affected see the *Summary of Changes* at the beginning of this section.

E36. Potential Loss of Data Coherency During MP Data Ownership Transfer

Problem: In MP systems, processors may be sharing data in different cache lines, referenced as line A and line B in the discussion below. When this erratum occurs (with the following example given for a 2-way MP system with processors noted as 'P0' and 'P1'), P0 contains a shared copy of line B in its L1. P1 has a shared copy of Line A. Each processor must manage the necessary invalidation and snoop cycles before that processor can modify and source the results of any internal writes to the other processor.

There exists a narrow timing window when, if P1 requests a copy of line B it may be supplied by P0 in an Exclusive state which allows P1 to modify the contents of the line with no further external invalidation cycles. In this narrow window P0 may also retire instructions that use the original data present before P1 performed the modification

Implication: Multiprocessor or threaded application synchronization, required for low-level data sharing, that is implemented via operating system provided synchronization constructs are not affected by this erratum. Applications which rely upon the usage of locked semaphores rather than memory ordering are also unaffected. Uniprocessor systems are not affected by this erratum. If the erratum does occur one processor may execute software with the stale data that was present from the previous shared state rather than the data written more recently by another processor.

Workaround: Deterministic barriers beyond which program variables will not be modified can be achieved via the usage of locked semaphore operations. These should effectively prevent the occurrence of this erratum.

Status: For the steppings affected see the *Summary of Changes* at the beginning of this section.

E37. Misaligned Locked Access to APIC Space Results in Hang

Problem: When the processor's APIC space is accessed with a misaligned locked access a machine check exception is expected. However, the processor's machine check architecture is unable to handle the misaligned locked access.

Implication: If this erratum occurs the processor will hang. Typical usage models for the APIC address space do not use locked accesses. This erratum will not affect systems using such a model.

Workaround: Ensure that all accesses to APIC space are aligned.

Status: For the steppings affected see the *Summary of Changes* at the beginning of this section.

E38. Floating-Point Exception Signal May Be Deferred

Problem: A one clock window exists where a pending x87 FP exception that should be signaled on the execution of a CVTIPS2PI, CVTPI2PS, or CVTTIPS2PI instruction may be deferred to the next waiting floating-point instruction or instruction that would change MMX™ register state.

Implication: If this erratum occurs the floating-point exception will not be handled as expected.

Workaround: Applications that follow Intel programming guidelines (empty all x87 registers before executing MMX technology instructions) will not be affected by this erratum.

Status: For the steppings affected see the *Summary of Changes* at the beginning of this section.



E39. Memory Ordering Based Synchronization May Cause a Livelock Condition in MP Systems

Problem: In an MP environment, the following sequence of code (or similar code) in two processors (P0 and P1) may cause them to each enter an infinite loop (livelock condition):

P0		P1
	MOV [xyz], EAX (1)	wait1: MOV EBX, [abc] (2)
	.	CMP EBX, val1 (3)
	.	JNE wait1 (4)
	.	
	MOV [abc], val1 (6)	MOV [abc], val2 (5)
wait0: MOV EBX, [abc] (7)		
	CMP EBX, val2 (8)	
	JNE wait0 (9)	

NOTE

The EAX and EBX can be any general-purpose register. Addresses [abc] and [xyz] can be any location in memory and must be in the same bank of the L1 cache. Variables "val1" and "val2" can be any integer.

The algorithm above involves processors P0 and P1, each of which use loops to keep them synchronized with each other. P1 is looping until instruction (6) in P0 is globally observed. Likewise, P0 will loop until instruction (5) in P1 is globally observed.

The P6 architecture allows for instructions (1) and (7) in P0 to be dispatched to the L1 cache simultaneously. If the two instructions are accessing the same memory bank in the L1 cache, the load (7) will be given higher priority and will complete, blocking instruction (1).

Instructions (8) and (9) may then execute and retire, placing the instruction pointer back to instruction (7). This is due to the condition at the end of the "wait0" loop being false. The livelock scenario can occur if the timing of the wait0 loop execution is such that instruction (7) in P0 is ready for completion every time that instruction (1) tries to complete. Instruction (7) will again have higher priority, preventing the data ([xyz]) in instruction (1) from being written to the L1 cache. This causes instruction (6) in P0 to not complete and the sequence "wait0" to loop infinitely in P0.

A livelock condition also occurs in P1 because instruction (6) in P0 does not complete (blocked by instruction (1) not completing). The problem with this scenario is that P0 should eventually allow for instruction (1) to write its data to the L1 cache. If this occurs, the data in instruction (6) will be written to memory, allowing the conditions in both loops to be true.

Implication: Both processors will be stuck in an infinite loop, leading to a hang condition. Note that if P0 receives any interrupt, the loop timing will be disrupted such that the livelock will be broken. The system timer, a keystroke, or mouse movement can provide an interrupt that will break the livelock.

Workaround: Use a LOCK instruction to force P0 to execute instruction (6) before instruction (7).

Status: For the steppings affected see the *Summary of Changes* at the beginning of this section.

E40. System Bus Address Parity Generator May Report False AERR#

Problem: The processor's address parity error detection circuit may fail to meet its frequency timing specification under certain environmental conditions. At the high end of the temperature specification and/or the low end of the voltage range, the processor may report false address parity errors.

Implication: If the system has AERR# drive enabled (bit [3] of the EBL_CR_POWERON register set to '1') spurious address detection and reporting may occur. In some system configurations, BINIT# may be asserted on the system bus. This may cause some systems to generate a machine check exception and in others may cause a reboot.

Workaround: Disable AERR# drive from the processor. AERR# drive may be disabled by clearing bit [3] in the EBL_CR_POWERON register. In addition, if the chipset allows, AERR# drive should be enabled from the chipset and AERR# observation enabled on the processor. AERR# observation on the processor is enabled by asserting A8# on the active-to-inactive transition of RESET#.

Status: For the processor part numbers affected see the "Pentium® III Processor Identification and Packaging Information" table in the General Information section.

E41. System Bus ECC Not Functional With 2:1 Ratio

Problem: If a processor is underclocked at a core frequency to system bus frequency ratio of 2:1 and system bus ECC is enabled, the system bus ECC detection and correction will negatively affect internal timing dependencies.

Implication: If system bus ECC is enabled, and the processor is underclocked at a 2:1 ratio, the system may behave unpredictably due to these timing dependencies.

Workaround: All bus agents that support system bus ECC must disable it when a 2:1 ratio is used.

Status: For the steppings affected see the *Summary of Changes* at the beginning of this section.

E42. Processor May Assert DRDY# on a Write With No Data

Problem: When a MASKMOVQ instruction is misaligned across a chunk boundary in a way that one chunk has a mask of all 0's, the processor will initiate two partial write transactions with one having all byte enables deasserted. Under these conditions, the expected behavior of the processor would be to perform both write transactions, but to deassert DRDY# during the transaction which has no byte enables asserted. As a result of this erratum, DRDY# is asserted even though no data is being transferred.

Implication: The implications of this erratum depend on the bus agent's ability to handle this erroneous DRDY# assertion. If a bus agent cannot handle a DRDY# assertion in this situation, or attempts to use the invalid data on the bus during this transaction, unpredictable system behavior could result.

Workaround: A system which can accept a DRDY# assertion during a write with no data will not be affected by this erratum. In addition, this erratum will not occur if the MASKMOVQ is aligned.

Status: For the steppings affected see the *Summary of Changes* at the beginning of this section.

E43. GP# Fault on WRMSR to ROB_CR_BKUPTMPDR6

Problem: Writing a '1' to unimplemented bit(s) in the ROB_CR_BKUPTMPDR6 MSR (offset 1E0h) will result in a general protection fault (GP#).

Implication: The normal process used to write an MSR is to read the MSR using RDMSR, modify the bit(s) of interest, and then to write the MSR using WRMSR. Because of this erratum, this process may result in a GP# fault when used to modify the ROB_CR_BKUPTMPDR6 MSR.

Workaround: When writing to ROB_CR_BKUPTMPDR6 all unimplemented bits must be '0.' Implemented bits may be set as '0' or '1' as desired.

Status: For the steppings affected see the *Summary of Changes* at the beginning of this section.

E44. Machine Check Exception May Occur Due to Improper Line Eviction in the IFU

Problem: The Pentium III processor is designed to signal an unrecoverable Machine Check Exception (MCE) as a consistency checking mechanism. Under a complex set of circumstances involving multiple speculative branches and memory accesses there exists a one cycle long window in which the processor may signal a MCE in the Instruction Fetch Unit (IFU) because instructions previously decoded have been evicted from the IFU. The one cycle long window is opened when an opportunistic fetch receives a partial hit on a previously executed but not as yet completed store resident in the store buffer. The resulting partial hit erroneously causes the eviction of a line from the IFU at a time when the processor is expecting the line to still be present. If the MCE for this particular IFU event is disabled, execution will continue normally.

Implication: While this erratum may occur on a system with any number of Pentium III processors, the probability of occurrence increases with the number of processors. If this erratum does occur, a machine check exception will result. Note systems that implement an operating system that does not enable the Machine Check Architecture will be completely unaffected by this erratum (e.g., Windows® 95 and Windows 98).

Workaround: It is possible for BIOS code to contain a workaround for this erratum.

Status: For the steppings affected see the *Summary of Changes* at the beginning of this section.

E45. Performance Counters Include Streaming SIMD Extensions L1 Prefetch

Problem: The processor allows the measurement of the frequency and duration of numerous different internal and bus related events (see *Intel Architecture Software Developer's Manual, Volume 3*, for more details). The Streaming SIMD Extension (SSE) architecture provides a mechanism to pre-load data into the L1 cache, bypassing the L2 cache. The number of these L1 pre-loads measured by the performance monitoring logic will incorrectly be included in the count of "L2_LINES_IN" (24H) events and "L2_LINES_OUT" (26H) events.

Implication: If application software is run which utilizes the SSE L1 prefetch feature, the count of "L2_LINES_IN" (24H) and "L2_LINES_OUT" (26H) will read a value that is greater than the correct value.

Workaround: The correct value of "L2_LINES_IN" and "L2_LINES_OUT" may be calculated by subtracting the value of the "MMX_PRE_MISS" (4BH) from each of these registers.

Status: For the steppings affected see the *Summary of Changes* at the beginning of this section.

E46. Snoop Request May Cause DBSY# Hang

Problem: A small window of time exists in which a snoop request originating from a bus agent to a processor with one or more outstanding memory transactions may cause the processor to assert DBSY# without issuing a corresponding bus transaction, causing the processor to hang (livelock). The exact circumstances are complex, and include the relative timing of internal processor functions with the snoop request from a bus agent.

Implication: This erratum may occur on a system with any number of processors. However, the probability of occurrence increases with the number of processors. If this erratum does occur, the system will hang with DBSY# asserted. At this point, the system requires a hard reset.

Workaround: It is possible for BIOS code to contain a workaround for this erratum.

Status: For the steppings affected see the *Summary of Changes* at the beginning of this section.

E47. Lower Bits of SMRAM SMBASE Register Cannot Be Written With an ITP

Problem: The System Management Base (SMBASE) register (7EF8H) stores the starting address of the System Management RAM (SMRAM). This register is used by the processor when it is in System Management Mode (SMM), and its contents serve as the memory base for code execution and data storage. The 32-bit SMBASE register can normally be programmed to any value. When programmed with an In-Target Probe (ITP), however, any attempt to set the lower 11 bits of SMBASE to anything other than zeros via the WRMSR instruction will cause the attempted write to fail.

Implication: When set via ITP, any attempt to relocate SMRAM space must be made with 2-KB alignment.

Workaround: None identified

Status: For the steppings affected see the *Summary of Changes* at the beginning of this section.

E48. Task Switch Caused by Page Fault May Cause Wrong PTE and PDE Access Bit to Be Set

Problem: If an operating system executes a task switch via a Task State Segment (TSS), and the TSS is wholly or partially located within a clean page (A and D bits clear) and the GDT entry for the new TSS is either misaligned across a cache line boundary or is in a clean page, the accessed and dirty bits for an incorrect page table/directory entry may be set.

Implication: An operating system which uses hardware task switching (or hardware task management) may encounter this erratum. The effect of the erratum depends on the alignment of the TSS and ranges from no anomalous behavior to unexpected errors.

Workaround: The operating system could align all TSSs to be within page boundaries and set the A and D bits for those pages to avoid this erratum. The operating system may alternately use software task management.

Status: For the stepping affected see the *Summary of Changes* at the beginning of this section.

E49. Unsynchronized Cross-Modifying Code Operations Can Cause Unexpected Instruction Execution Results

Problem: The act of one processor, or system bus master, writing data into a currently executing code segment of a second processor with the intent of having the second processor execute that data as code is called cross-modifying code (XMC). XMC that does not force the second processor to execute a synchronizing instruction, prior to execution of the new code, is called unsynchronized XMC.

Software using unsynchronized XMC to modify the instruction byte stream of a processor can see unexpected instruction execution from the processor that is executing the modified code.

Implication: In this case, the phrase "unexpected execution behavior" encompasses the generation of most of the exceptions listed in the *Intel Architecture Software Developer's Manual Volume 3: System Programming Guide*, including a General Protection Fault (GPF). In the event of a GPF the application executing the unsynchronized XMC operation would be terminated by the operating system.

Workaround: In order to avoid this erratum, programmers should use the XMC synchronization algorithm as detailed in the *Intel Architecture Software Developer's Manual Volume 3: System Programming Guide*, Section 7.1.3.

Status: For the steppings affected see the *Summary of Changes* at the beginning of this section.

E50. Processor Will Erroneously Report a BIST Failure

Problem: If the processor performs BIST at power-up, the EAX register is normally cleared (0H) when the processor passes. The processor will erroneously report a non-zero value (signaling a BIST failure) even if BIST passes.

Implication: The processor will incorrectly signal an error after BIST is performed.

Workaround: The system BIOS should ignore the BIST results in the EAX register.

Status: For the steppings affected see the *Summary of Changes* at the beginning of this section.

E51. Noise Sensitivity Issue on Processor SMI# Pin

Problem: Post silicon characterization has demonstrated a greater than expected sensitivity to noise on the processor's SMI# input, which may result in spurious SMI# interrupts.

Implication: BIOS/SMM code that is capable of handling spurious SMI events will report a spurious SMI#, but should not be negatively impacted by this erratum. Systems whose BIOS code cannot handle spurious SMI events may fail, resulting in a system hang or other anomalous behavior.

Spurious SMI# interrupts should be controlled on the system board regardless of BIOS implementation.

Workaround: Possible workarounds that may reduce or eliminate the occurrence of the spurious SMI# interrupts include:

1. Use a lower effective pull-up resistance on the SMI# pin. This resistor must meet the specifications of the component driving the SMI# signal.
2. Externally condition the SMI# signal prior to providing it to the processor's SMI# pin.

These workarounds should be evaluated on a design-by-design basis.

Status: For the steppings affected see the *Summary of Changes* at the beginning of this section.

E52. Limitation On Cache Line ECC Detection and Correction

Problem: ECC can detect and correct up to four single-bit ECC errors per cache line. However, the processor will only detect and correct one single-bit ECC error per cache line. While all ECC errors will be detected, multiple single bit errors will be incorrectly reported as uncorrectable double bit errors, rather than correctable single bit errors.

Implication: The processor may report fewer single bit ECC errors and more double bit ECC errors than previous processors.

Workaround: None identified

Status: For the steppings affected see the *Summary of Changes* at the beginning of this section.

E53. L2_LD and L2_M_LINES_OUTM Performance-Monitoring Counters Do Not Work

Problem: The L2_LD (29H) and L2_M_LINES_OUTM (27H) Performance-Monitoring counters are used to monitor L2 cache line activity. These counters incorrectly count their respective events.

Implication: These counters will report incorrect data.

Workaround: None identified

Status: For the steppings affected see the *Summary of Changes* at the beginning of this section.

E54. IFU/DCU Deadlock May Cause System Hang

Problem: An internal deadlock situation may occur in systems with multiple bus agents, with a failure signature such that a processor either asserts DBSY# without issuing the corresponding data, or fails to respond to a snoop request from another bus agent. Should this erratum occur, the affected processor ceases code execution and the system will hang.

The specific circumstances surrounding the occurrence of this erratum are:

1. A locked operation to the Data Cache Unit (DCU) is in process.
2. A snoop occurs, but cannot complete due to the ongoing locked operation.
3. The presence of the snoop prevents pending Instruction Fetch Unit (IFU) requests from completing.
4. The IFU requests are periodically restarted.

The continued IFU restart attempts create additional DCU snoops, which prevent the in-process locked operation from completing, keeping the DCU locked.

Implication: The system may hang.

Workaround: It is possible for BIOS code to contain a workaround for this erratum.

Status: For the steppings affected see the *Summary of Changes* at the beginning of this section.

E55. L2_DBUS_BUSY Performance Monitoring Counter Will Not Count Writes

Problem: The L2_DBUS_BUSY (22H) performance monitoring counter is intended to count the number of cycles during which the L2 data bus is in use. For some steppings of the processor, the L2_DBUS_BUSY counter will not be incremented during write cycles and therefore will only reflect the number of L2 data bus cycles resulting from cache reads.

Implication: The L2_DBUS_BUSY event counts only L2 read cycles.

Workaround: None identified

Status: For the steppings affected see the *Summary of Changes* at the beginning of this section.

E56. Incorrect Sign May Occur On X87 Result Due To Indefinite QNaN Result From Streaming SIMD Extensions Multiply

Problem: It is possible that a negative sign bit may be incorrectly applied to the result of an X87 floating-point operation if it is closely preceded by a Streaming SIMD Extensions (SSE) multiply operation. In order for this erratum to occur, the Streaming SIMD Extensions multiply operation must result in an Indefinite Quiet Not-a-Number (QNaN). Operations such as multiplying zero by infinity will result in an Indefinite QNaN result.

Implication: If this erratum occurs, the result of an X87 floating-point instruction, which should be positive, will instead be negative.

Workaround: It is possible for BIOS code to contain a workaround for this erratum.

Status: For the steppings affected see the *Summary of Changes* at the beginning of this section.

E57. Deadlock May Occur Due To Illegal-Instruction/Page-Miss Combination

Problem: Intel's 32-bit Instruction Set Architecture (ISA) utilizes most of the available op-code space; however some byte combinations remain undefined and are considered illegal instructions. Intel processors detect the attempted execution of illegal instructions and signal an exception. This exception is handled by operating system and/or application software.

Under a complex set of internal and external conditions involving illegal instructions, a deadlock may occur within the processor. The necessary conditions for the deadlock involve:

1. Execution of the illegal instruction.
2. Two-page table walks occur within a narrow timing window coincident with the illegal instruction.

Implication: The illegal instructions involved in this erratum are unusual and invalid byte combinations that are not useful to application software or operating systems. These combinations are not normally generated in the course of software programming, nor are such sequences known by Intel to be generated in commercially available software and tools. Development tools (compilers, assemblers) do not generate this type of code sequence, and will normally flag such a sequence as an error. If this erratum occurs, the processor deadlock condition will occur and result in a system hang. Code execution cannot continue without a system RESET.

Workaround: None identified

Status: For the steppings affected see the *Summary of Changes* at the beginning of this section.

E58. MASKMOVQ Instruction Interaction with String Operation May Cause Deadlock

Problem: Under the following scenario, combined with a specific alignment of internal events, the processor may enter a deadlock condition:

1. A store operation completes, leaving a write-combining (WC) buffer partially filled.
2. The target of a subsequent MASKMOVQ instruction is split across a cache line.
3. The data in (2) above results in a hit to the data in the WC buffer in (1).

Implication: If this erratum occurs, the processor deadlock condition will occur and result in a system hang. Code execution cannot continue without a system RESET.

Workaround: It is possible for BIOS code to contain a workaround for this erratum.

Status: For the steppings affected see the *Summary of Changes* at the beginning of this section.

E59. MOVD or CVTSI2SS Following Zeroing Instruction Can Cause Incorrect Result

Problem: An incorrect result may be calculated after the following circumstances occur:

1. A register has been zeroed with either a SUB reg, reg instruction, or an XOR reg, reg instruction.
2. A value is moved with sign extension into the same register's lower 16 bits; or a signed integer multiply is performed to the same register's lower 16 bits.
3. The register is then copied to an MMX™ technology register using the MOVD, or converted to single precision floating-point and moved to an MMX technology register using the CVTSI2SS instruction prior to any other operations on the sign-extended value.

Specifically, the sign may be incorrectly extended into bits 16-31 of the MMX technology register. This erratum only affects the MMX technology register.

This erratum only occurs when the following three steps occur in the order shown. This erratum may occur with up to 40 intervening instructions that do not modify the sign-extended value between steps 2 and 3.

1. XOR EAX, EAX
or SUB EAX, EAX
2. MOVSBX AX, BL
or MOVSBX AX, byte ptr <memory address> or MOVSBX AX, BX
or MOVSBX AX, word ptr <memory address> or IMUL BL (AX implicit, opcode F6 /5)
or IMUL byte ptr <memory address> (AX implicit, opcode F6 /5) or IMUL AX, BX (opcode 0F AF /r)
or IMUL AX, word ptr <memory address> (opcode 0F AF /r) or IMUL AX, BX, 16 (opcode 6B /r ib)
or IMUL AX, word ptr <memory address>, 16 (opcode 6B /r ib) or IMUL AX, 8 (opcode 6B /r ib)
or IMUL AX, BX, 1024 (opcode 69 /r iw)
or IMUL AX, word ptr <memory address>, 1024 (opcode 69 /r iw)
or IMUL AX, 1024 (opcode 69 /r iw) or CBW
3. MOVD MM0, EAX or CVTSI2SS MM0, EAX

Note that the values for immediate byte/words are merely representative (i.e., 8, 16, 1024) and that any value in the range for the size is affected. Also, note that this erratum may occur with "EAX" replaced with any 32-bit general-purpose register, and "AX" with the corresponding 16-bit version of that replacement. "BL" or "BX" can be replaced with any 8-bit or 16-bit general-purpose register. The CBW and IMUL (opcode F6 /5) instructions are specific to the EAX register only.

In the above example, EAX is forced to contain 0 by the XOR or SUB instructions. Since the four types of the MOVSBX or IMUL instructions and the CBW instruction only modify bits 15:8 of EAX by sign extending the lower 8 bits of EAX, bits 31:16 of EAX should always contain 0. This implies that when MOVD or CVTSI2SS copies EAX to MM0, bits 31:16 of MM0 should also be 0. In certain scenarios, bits 31:16 of MM0 are not 0, but are replicas of bit 15 (the 16th bit) of AX. This is noticeable when the value in AX after the MOVSBX, IMUL or CBW instruction is negative (i.e., bit 15 of AX is a 1).

When AX is positive (bit 15 of AX is 0), MOVD or CVTSI2SS will produce the correct answer. If AX is negative (bit 15 of AX is 1), MOVD or CVTSI2SS may produce the right answer or the wrong answer, depending on the point in time when the MOVD or CVTSI2SS instruction is executed in relation to the MOVSBX, IMUL or CBW instruction.

Implication: The effect of incorrect execution will vary from unnoticeable, due to the code sequence discarding the incorrect bits, to an application failure.

Workaround: There are two possible workarounds for this erratum:

1. Rather than using the MOVSBX-MOVD/CVTSI2SS, IMUL-MOVD/CVTSI2SS or CBW-MOVD/CVTSI2SS pairing to handle one variable at a time, use the sign extension capabilities (PSRAW, etc.) within MMX technology for operating on multiple variables. This will also result in higher performance.

2. Insert another operation that modifies or copies the sign-extended value between the MOVSB/IMUL/CBW instruction and the MOVD or CVTSS instruction as in the example below:
XOR EAX, EAX (or SUB EAX, EAX)
MOVSB AX, BL (or other MOVSB, other IMUL or CBW instruction)
*MOV EAX, EAX
MOVD MM0, EAX or CVTSS MM0, EAX

*Note: MOV EAX, EAX is used here in a generic sense. Again, EAX can be substituted with any 32-bit register.

Status: For the steppings affected see the *Summary of Changes* at the beginning of this section.

E60. FLUSH# Assertion Following STPCLK# May Prevent CPU Clocks From Stopping

Problem: If FLUSH# is asserted after STPCLK# is asserted, the cache flush operation will not occur until after STPCLK# is de-asserted. Furthermore, the pending flush will prevent the processor from entering the Sleep state, since the flush operation must complete prior to the processor entering the Sleep state.

Implication: Following SLP# assertion, processor power dissipation may be higher than expected. Furthermore, if the source to the processor's input bus clock (BCLK) is removed, normally resulting in a transition to the Deep Sleep state, the processor may shutdown improperly. The ensuing attempt to wake up the processor will result in unpredictable behavior and may cause the system to hang.

Workaround: For systems that use the FLUSH# input signal and Deep Sleep state of the processor, ensure that FLUSH# is not asserted while STPCLK# is asserted.

Status: For the steppings affected see the *Summary of Changes* at the beginning of this section.

E61. Intermittent Failure to Assert ADS# During Processor Power-On

Problem: Under a system specific set of initial parametric conditions, a very small number of Pentium® III processors (CPUID 068xh) may be susceptible to entering an internal test mode during processor power-on. The symptom of this test mode is a failure to assert ADS# during a processor power-on.

Implication: On susceptible platforms, when power is applied to the processor, there is a possibility that the processor will occasionally enter the test mode rather than initiate a system boot sequence.

Workaround: A subsequent processor Power-Off then Power-On cycle should remove the processor from this test mode, allowing normal processor operation to resume. The following workaround also may reduce the occurrence of the failure condition:

SC242-based platform designs in which VTT leads the processor input voltage may reduce the occurrence of the erratum by connecting SC242 pin B20 (RESERVED) to pin B9 (VTT).

PGA370-based platform designs in which VTT leads the processor input voltage can reduce the occurrence of the erratum by connecting pin G37 (RESERVED) to motherboard VTT or short the PGA370 socket pin G37 to AH20 or G35 (both VTT).

Status: For the steppings affected see the *Summary of Changes* at the beginning of this section.

E62. Floating-Point Exception Condition May be Deferred

Problem: A floating-point instruction that causes a pending floating-point exception (ES=1) is normally signaled by the processor on the next waiting FP/MMX™ technology instruction. In the following set of circumstances, the exception may be delayed or the FSW register may contain a wrong value:

1. The excepting floating-point instruction is followed by an instruction that accesses memory across a page (4-Kbyte) boundary or its access results in the update of a page table dirty/access bit.
2. The memory accessing instruction is immediately followed by a waiting floating-point or MMX technology instruction.
3. The waiting floating-point or MMX technology instruction retires during a one-cycle window that coincides with a sequence of internal events related to instruction cache line eviction.

Implication: The floating-point exception will not be signaled until the next waiting floating-point/MMX technology instruction. Alternatively it may be signaled with the wrong TOS and condition code values. This erratum has not been observed in any commercial software applications.

Workaround: None identified

Status: For the stepping affected see the Summary of Changes at the beginning of this section.

E63. THERMTRIP# May Not be Asserted as Specified

Problem: THERMTRIP# is a signal on the Pentium® III processor that is asserted when the core reaches a critical temperature during operation as detailed in the processor specification. The Pentium® III processor may not assert THERMTRIP# until a much higher temperature than the one specified is reached.

Implication: The THERMTRIP# feature is not functional on the Pentium® III processor. Note that this erratum can only occur when the processor is running with a TPLATE temperature over the maximum specification of 75° C.

Workaround: Avoid operation of the Pentium III processor outside of the thermal specifications defined by the processor specifications.

Status: For the steppings affected see the *Summary of Changes* at the beginning of this section.

E64. Cache Line Reads May Result in Eviction of Invalid Data

Problem: A small window of time exists in which internal timing conditions in the processor cache logic may result in the eviction of an L2 cache line marked in the invalid state.

Implication: There are three possible implications of this erratum:

1. The processor may provide incorrect L2 cache line data by evicting an invalid line.
2. A BNR# (Block Next Request) stall may occur on the system bus.
3. Should a snoop request occur to the same cache line in a small window of time the processor may incorrectly assert HITM#. It is then possible for an infinite snoop stall to occur should another processor respond (correctly) to the snoop request with HIT#. In order for this infinite snoop stall to occur, at least three agents must be present, and the probability of occurrence increases with the number of processors. Should 2 or 3 occur, the processor will eventually assert BINIT# (if enabled) with an MCA error code indicating a ROB time-out. At this point, the system requires a hard reset.

Workaround: It is possible for BIOS code to contain a workaround for this erratum.

Status: For the steppings affected see the *Summary of Changes* at the beginning of this section.

E65. Snoop probe during FLUSH# could cause L2 to be left in shared state

Problem: During a L2 FLUSH operation using the FLUSH# pin, it is possible that a read request from a bus agent or other processor to a valid line will leave the line in the Shared state (S) instead of the Invalid state (I) as expected after flush operation. Before the FLUSH operation is completed, another snoop request to invalidate the line from another agent or processor could be ignored, again leaving the line in the Shared state.

Implication: Current desktop and mid range server systems have no mechanism to assert the flush pin and hence are not affected by this erratum. A high-end server system that does not suppress snoop traffic before the assertion of the FLUSH# pin may cause a line to be left in an incorrect cache state.

Workaround: Affected systems (those capable of asserting the FLUSH# pin) should prevent snoop activity on the front side bus until invalidation is completed after asserting FLUSH#, or use a WBINVD instruction instead of asserting the FLUSH# pin in order to flush the cache.

Status: For the steppings affected see the *Summary of Changes* at the beginning of this section.

E66. Livelock May Occur Due to IFU Line Eviction

Problem: Following the conditions outlined for erratum E44, if the instruction that is currently being executed from the evicted line must be restarted by the IFU, and the IFU receives another partial hit on a previously executed (but not as yet completed) store that is resident in the store buffer, then a livelock may occur.

Implication: If this erratum occurs, the processor will hang in a live lock-situation, and the system will require a reset to continue normal operation.

Workaround: None identified

Status: For the steppings affected see the *Summary of Changes* at the beginning of this section.

E67. Selector for the LTR/LLDT Register May Get Corrupted

Problem: The internal selector portion of the respective register (TR, LDTR) may get corrupted, if during a small window of LTR or LLDT system instruction execution, the following sequence of events occur:

1. Speculative write to a segment register that might follow the LTR or LLDT instruction
2. The read segment descriptor of LTR/LLDT operation spans a page (4 Kbytes) boundary; or causes a page fault

Implication: Incorrect selector for LTR, LLDT instruction could be used after a task switch.

Workaround: Software can insert a serializing instruction between the LTR or LLDT instruction and the segment register write.

Status: For the steppings affected see the *Summary of Changes* at the beginning of this section.



E68. INIT Does Not Clear Global Entries in the TLB

Problem: INIT may not flush a TLB entry when:

1. The processor is in protected mode with paging enabled and the page global enable flag is set (PGE bit of CR4 register)
2. G bit for the page table entry is set
3. TLB entry is present in TLB when INIT occurs

Implication: Software may encounter unexpected page fault or incorrect address translation due to a TLB entry erroneously left in TLB after INIT.

Workaround: Write to CR3, CR4 or CR0 registers before writing to memory early in BIOS code to clear all the global entries from TLB.

Status: For the steppings affected see the *Summary of Changes* at the beginning of this section.

E69. VM Bit will be Cleared on a Double Fault Handler

Problem: Following a task switch to a Double Fault Handler that was initiated while the processor was in virtual-8086 (VM86) mode, the VM bit will be incorrectly cleared in EFLAGS.

Implication: When the OS recovers from the double fault handler, the processor will no longer be in VM86 mode.

Workaround: None identified

Status: For the steppings affected see the *Summary of Errata* at the beginning of this section.

E70. Memory Aliasing with Inconsistent A and D Bits may Cause Processor Deadlock

Problem: In the event that software implements memory aliasing by having two Page Directory Entries (PDEs) point to a common Page Table Entry (PTE) and the Accessed and Dirty bits for the two PDEs are allowed to become inconsistent the processor may become deadlocked.

Implication: This erratum has not been observed with commercially available software.

Workaround: Software that needs to implement memory aliasing in this way should manage the consistency of the Accessed and Dirty bits.

Status: For the steppings affected see the *Summary of Changes* at the beginning of this section.

E71. Use of Memory Aliasing with Inconsistent Memory Type May Cause System Hang

Problem: Software that implements memory aliasing by having more than one linear addresses mapped to the same physical page with different cache types may cause the system to hang. This would occur if one of the addresses is non-cacheable used in code segment and the other a cacheable address. If the cacheable address finds its way in instruction cache, and non-cacheable address is fetched in IFU, the processor may invalidate the non-cacheable address from the fetch unit. Any micro-architectural event that causes instruction restart will expect this instruction to still be in fetch unit and lack of it will cause system hang.

Implication: This erratum has not been observed with commercially available software.

Workaround: Although it is possible to have a single physical page mapped by two different linear addresses with different memory types, Intel has strongly discouraged this practice as it may lead to undefined results. Software that needs to implement memory aliasing should manage the memory type consistency.

Status: For the steppings affected see the *Summary of Changes* at the beginning of this section.

E72. Processor may Report Invalid TSS Fault Instead of Double Fault During Mode C Paging

Problem: When an operating system executes a task switch via a Task State Segment (TSS) the CR3 register is always updated from the new task TSS. In the mode C paging, once the CR3 is changed the processor will attempt to load the PDPTRs. If the CR3 from the target task TSS or task switch handler TSS is not valid then the new PDPTR will not be loaded. This will lead to the reporting of invalid TSS fault instead of the expected Double fault.

Implication: Operating systems that access an invalid TSS may get invalid TSS fault instead of a Double fault.

Workaround: Software needs to ensure any accessed TSS is valid.

Status: For the steppings affected see the *Summary of Changes* at the beginning of this section.

E73. Machine Check Exception May Occur When Interleaving Code Between Different Memory Types

Problem: A small window of opportunity exists where code fetches interleaved between different memory types may cause a machine check exception. A complex set of micro-architectural boundary conditions is required to expose this window.

Implication: Interleaved instruction fetches between different memory types may result in a machine check exception. The system may hang if machine check exceptions are disabled. Intel has not observed the occurrence of this erratum while running commercially available applications or operating systems.

Workaround: Software can avoid this erratum by placing a serializing instruction between code fetches between different memory types.

Status: For the steppings affected see the *Summary of Changes* at the beginning of this section.

E74. Wrong ESP Register Values During a Fault in VM86 Mode

Problem: At the beginning of the IRET instruction execution in VM86 mode, the lower 16 bits of the ESP register are saved as the old stack value. When a fault occurs, these 16 bits are moved into the 32-bit ESP, effectively clearing the upper 16 bits of the ESP.

Implication: This erratum has not been observed to cause any problems with commercially available software.

Workaround: None identified

Status: For the steppings affected see the *Summary of Changes* at the beginning of this section.

E75. APIC ICR Write May Cause Interrupt Not to be Sent When ICR Delivery Bit Pending

Problem: If the APIC ICR (Interrupt Control Register) is written with a new interrupt command while the Delivery Status bit from a previous interrupt command is set to '1' (Send Pending), the interrupt message may not be sent out by the processor.

Implication: This erratum will cause an interrupt message not to be sent, potentially resulting in system hang.

Workaround: Software should always poll the Delivery Status bit in the APIC ICR and ensure that it is '0' (Idle) before writing a new value to the ICR.

Status: For the steppings affected see the *Summary of Changes* at the beginning of this section.

E76. High Temperature and Low Supply Voltage Operation May Result in Incorrect Processor Operation

Problem: When operating at the high temperature, low supply voltage corner of the processor specification, if there is a store pending in the processor's fill buffer, and simultaneously a load operation misses the L1 cache but results in a hit to the L2 cache, then it is possible that incorrect data may be returned to satisfy the load operation.

Implication: When this erratum is encountered, unpredictable software behavior may occur. It can be seen from the table of affected steppings that this erratum is constrained to a single stepping and is only possible in processors operating at frequencies of 933MHz and above and is not present in all of those processors. Application of the workaround will prevent occurrence of the erratum in all processors of that stepping.

Workaround: It is possible for BIOS code to contain a workaround for this erratum.

Status: For the steppings affected see the *Summary of Changes* at the beginning of this section.

E77. During Boundary Scan, BCLK not Sampled High When SLP# is Asserted Low

Problem: During boundary scan, BCLK is not sampled high when SLP# is asserted low.

Implication: Boundary scan results may be incorrect when SLP# is asserted low.

Workaround: Do not use boundary scan when SLP# is asserted low.

Status: For the steppings affected see the *Summary of Changes* at the beginning of this section.

E78. Incorrect Assertion of THERMTRIP# Signal

Problem: The internal control register bit responsible for operation of the Thermtrip circuit functionality may power up in a non-initialized state. As a result, THERMTRIP# may be incorrectly asserted during de-assertion of RESET# at nominal operating temperatures. When THERMTRIP# is asserted as a result of this erratum, the processor may shut down internally and stop execution but in few cases continue to execute.

Implication: This issue can lead to intermittent system power-on boot failures. The occurrence and repeatability of failures is system dependent, however all systems and processors are susceptible to failure. In addition, the processor may fail to stop execution during the event of a valid THERMTRIP# assertion resulting in the potential for permanent processor damage.

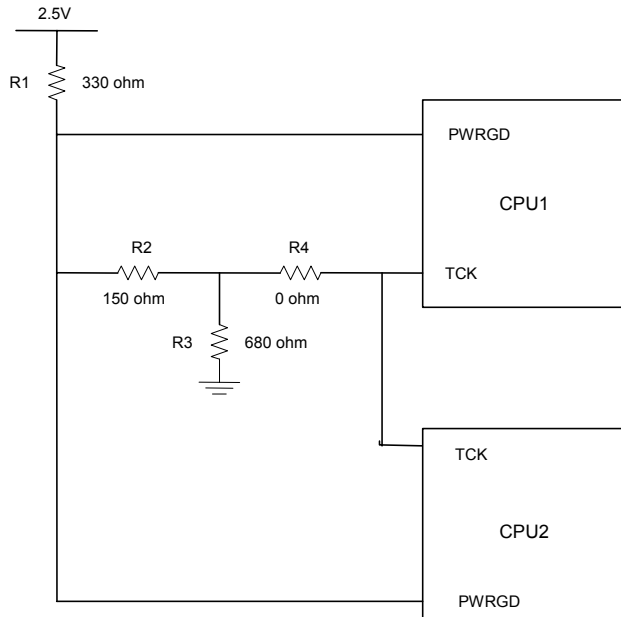
Workaround: To prevent the risk of power-on boot failures or catastrophic thermal failures, a platform workaround is required. The system must provide a rising edge on the TCK signal during the power-on sequence that meets all of the following requirements:

- Rising edge occurs after Vcc_core is valid and stable
- Rising edge occurs before or at the de-assertion of RESET#
- Rising edge occurs after all Vref input signals are at valid voltage levels
- TCK input meets the Vih min and max spec as mentioned in EMTS

Specific workaround implementations may be platform specific. The following examples have been tested as acceptable workaround implementations.

In addition, the example workaround circuits shown do not support production baseboard test methodologies that require the use of the processor JTAG/TAP port. Alternative workaround solutions must be found if such test capability is required.

Pentium® III Processor with 512KB L2 Cache Platforms Workaround



Assumes the inputs to the CPU_PWRGD are open collector signals that are Wire-ANDed together

- The example workaround circuit assumes that the PWRGD inputs into the processors are open collector. Tying the PWRGD inputs together in a Wired-AND fashion allows each processor to receive PWRGD at the same time but at the latter of the 2 separate PWRGD assertions. If separation of the PWRGD inputs to each processor is required, extra circuitry will be required.

Status: For the steppings affected see the *Summary of Changes* at the beginning of this section.

E79. Processor Might not Exit Sleep State Properly Upon De-assertion of CPUSLP# Signal

Problem: If the processor enters a sleep state upon assertion of CPUSLP# signal, and if the core to system bus multiplier is an odd bus fraction, then the processor may not resume from the CPU sleep state upon the de-assertion of CPUSLP# signal.

Implication: This erratum may result in a system hang during a resume from CPU sleep state.

Workaround: It is possible to workaround this in BIOS by not asserting CPUSLP# for power management purposes.

Status: For the steppings affected, see the *Summary of Changes* at the beginning of this section.

E80. The Instruction Fetch Unit (IFU) May Fetch Instructions Based Upon Stale CR3 Data After a Write to CR3 Register

Problem - Under a complex set of conditions, there exists a one clock window following a write to the CR3 register where-in it is possible for the iTLB fill buffer to obtain a stale page translation based on the stale CR3 data. This stale translation will persist until the next write to the CR3 register, the next page fault or execution of a certain class of instructions including RDTSC, CPUID or IRETD with privilege level change.

Implication - The wrong page translation could be used leading to erroneous software behavior.

Workaround - Operating systems that are potentially affected can add a second write to the CR3 register. It is possible for Bios code to contain a workaround for this erratum for tA1 stepping of the processor.

Status - For the steppings affected, see the *Summary of Changes* at the beginning of this section.

E1AP. APIC Access to Cacheable Memory Causes SHUTDOWN

Problem: APIC operations which access memory with any type other than uncacheable (UC) are illegal. If an APIC operation to a memory type other than UC occurs and Machine Check Exceptions (MCEs) are disabled, the processor will enter shutdown after such an access. If MCEs are enabled, an MCE will occur. However, in this circumstance, a second MCE will be signaled. The second MCE signal will cause the Pentium III processor to enter shutdown.

Implication: Recovery from a PIC access to cacheable memory will not be successful. Software that accesses only UC type memory during APIC operations will not encounter this erratum.

Workaround: Ensure that the memory space to which PIC accesses can be made is marked as type UC (uncacheable) in the memory type range registers (MTRRs) to avoid this erratum.

Status: For the steppings affected see the *Summary of Changes* at the beginning of this section.

E2AP. 2-Way MP Systems May Hang Due to Catastrophic Errors During BSP Determination

Problem: In 2-way MP systems, a catastrophic error during the bootstrap processor (BSP) determination process should cause the assertion of IERR#. If the catastrophic error is due to the APIC data bus being stuck at electrical zero, then the system hangs without asserting IERR#.

Implication: 2-way MP systems may hang during boot due to a catastrophic error. This erratum has not been observed to date in a typical commercial system, but was found during focused system testing using a grounded APIC data bus.

Workaround: None identified

Status: For the steppings affected see the *Summary of Changes* at the beginning of this section.



E3AP. Write to Mask LVT (Programmed as EXTINT) Will Not Deassert Outstanding Interrupt

Problem: If the APIC subsystem is configured in Virtual Wire Mode implemented through the local APIC (i.e., the 8259 INTR signal is connected to LINT0 and LVT1's interrupt delivery mode field is programmed as EXTINT), a write to LVT1 intended to mask interrupts will not deassert the internal interrupt source if the external LINT0 signal is already asserted. The interrupt will be erroneously posted to the Pentium III processor despite the attempt to mask it via the LVT.

Implication: Because of the masking attempt, interrupts may be generated when the system software expects no interrupts to be posted.

Workaround: Software can issue a write to the 8259A interrupt mask register to deassert the LINT0 interrupt level, followed by a read to the controller to ensure that the LINT0 signal has been deasserted. Once this is ensured, software may then issue the write to mask LVT entry 1.

Status: For the steppings affected see the *Summary of Changes* at the beginning of this section.

DOCUMENTATION CHANGES

The Documentation Changes listed in this section apply to the following documents:

- *Pentium® III Processor for the SC242 at 450 MHz to 866 MHz and 1.13 GHz* datasheet
- *Pentium® III Processor for the PGA370 Socket up to 1.0 GHz* datasheet
- *P6 Family of Processors Hardware Developer's Manual*
- *Intel Architecture Software Developer's Manual, Volumes 1, 2, and 3*

All Documentation Changes will be incorporated into a future version of the appropriate Pentium III processor documentation.

E1. STPCLK# Pin Definition

The *P6 Family of Processors Hardware Developer's Manual* and the *Pentium® III Processor at 450 MHz, 500 MHz, 533B MHz, 550 MHz, 600/600B MHz* datasheet both have incorrect definitions of the STPCLK# pin in their alphabetical signal listing. These documents incorrectly state:

The processor continues to snoop bus transactions and *service interrupts* while in Stop Grant state. When STPCLK# is deasserted, the processor restarts its internal clock to all units and resumes execution.

They should state:

The processor continues to snoop bus transactions and *may latch interrupts* while in Stop Grant state. When STPCLK# is deasserted, the processor restarts its internal clock to all units, resumes execution, *and services any pending interrupts*.

E2. Invalidating Caches and TLBs

Section 2.6.4 of the *Intel Architecture Software Developer's Manual, Volume 3: System Programming Guide*, incorrectly states:

The INVD (invalidate cache with no writeback) instruction invalidates all data and instruction entries in the internal caches and TLBs and sends a signal to the external caches indicating that they should be invalidated also.

It should state:

The INVD (invalidate cache with no writeback) instruction invalidates all data and instruction entries in the internal caches and sends a signal to the external caches indicating that they should be invalidated also.

E3. Handling of Self-Modifying and Cross-Modifying Code

Section 7.1.3 paragraph 1 of the *Intel Architecture Software Developer's Manual Vol 3: System Programming* incorrectly states:

The act of a processor writing data into a currently executing code segment with the intent of executing that data as code is called **self-modifying code**. Intel Architecture processors exhibit model-specific behavior when executing self-modified code, depending upon how far ahead of the current execution pointer the code has been modified. As processor architectures become more complex and start to speculatively execute code ahead of the retirement point (as in the P6 family processors), the rules regarding which code should execute, pre- or post-modification, become blurred. To write self-modifying code and ensure that it is compliant with current and future Intel Architectures one of the following two coding options **should** be chosen.

It should state:

The act of a processor writing data into a currently executing code segment with the intent of executing that data as code is called **self-modifying code**. Intel Architecture processors exhibit model-specific behavior when executing self-modified code, depending upon how far ahead of the current execution pointer the code has been modified. As processor architectures become more complex and start to speculatively execute code ahead of the retirement point (as in the P6 family processors), the rules regarding which code should execute, pre- or post-modification, become blurred. To write self-modifying code and ensure that it is compliant with current and future Intel Architectures one of the following two coding options **must** be chosen.

Section 7.1.3 paragraph 6 of the *Intel Architecture Software Developer's Manual Vol 3: System Programming* incorrectly states:

The act of one processor writing data into the currently executing code segment of a second processor with the intent of having the second processor execute that data as code is called **cross-modifying code**. As with self-modifying code, Intel Architecture processors exhibit model-specific behavior when executing cross-modifying code, depending upon how far ahead of the executing processors current execution pointer the code has been modified. To write cross-modifying code and insure that it is compliant with current and future Intel Architectures, the following processor synchronization algorithm **should** be implemented.

It should state:

The act of one processor writing data into the currently executing code segment of a second processor with the intent of having the second processor execute that data as code is called **cross-modifying code**. As with self-modifying code, Intel Architecture processors exhibit model-specific behavior when executing cross-modifying code, depending upon how far ahead of the executing processors current execution pointer the code has been modified. To write cross-modifying code and insure that it is compliant with current and future Intel Architectures, the following processor synchronization algorithm **must** be implemented.

E4. Machine Check Architecture Initialization of MCI_STATUS Registers

Section 12.5, the last paragraph of the *Intel Architecture Software Developer's Manual Vol. 3: System Programming Guide* incorrectly states:

The processor can write valid information (such as an ECC error) into the MCI_STATUS registers while it is being powered up. As part of the initialization of the MCE exception handler, software might examine all the MCI_STATUS registers and log the contents of them, then rewrite them all to zeroes. This procedure is not included in the initialization pseudocode in Example 12-1.

It should state:

The processor can write valid information (such as an ECC error) into the MCI_STATUS registers while it is being powered up. As part of the initialization of the MCE exception handler, software might examine all the MCI_STATUS registers and log the contents of them, then rewrite them all to zeroes. Following power cycling, the MCI_STATUS registers are not guaranteed to have valid data until after the registers are initially cleared to all zeroes by software. This procedure is not included in the initialization pseudocode in Example 12-1.

E5. LOCK# Signal Prefix Operands

Page 3-273, the first sentence of the third paragraph of the *Intel Architecture Software Developer's Manual Volume 2: Instruction Set Reference* states:

The LOCK prefix can be prepended only to the following instructions and to those forms of the instructions that use a memory operand: ADD, ADC, AND, ...

It should state:

The LOCK prefix can be prepended only to the following instructions and to those forms of the instructions that use a memory operand as the destination operand only: ADD, ADC, AND, ...

If the LOCK prefix is used with the memory operand as the source operand then an Invalid Opcode (Undefined Opcode), #UD, can occur.

E6. SMRAM State Save Map Contains Documentation Errors

In the *Intel Architecture Software Developer's Manual Volume 3: System Programming Guide*, revision 2 Chapter 12, "System Management Mode (SMM)," Table 12-1 incorrectly documents the SMBASE+Offset for LDT Base on the P6 family of processors.

The storage locations for these parameters are model specific (i.e., they may differ between the Pentium® processor, the Pentium® Pro processor, and other P6 family proliferations). **These entries in the tables above will be changed to Reserved. Hardware and software may not rely on the contents of these Reserved regions.**

E7. Memory Aliasing with Different Memory Types

The 4th paragraph of section 9.13.5 of Intel Architecture Software Developer's Manual Vol. 3: Programming the PAT states:

The PAT allows any memory type to be specified in the page table, and therefore it is possible to have a single physical page mapped to two different linear addresses with different memory types. This practice is strongly discouraged by Intel and should be avoided as it may lead to undefined results.

It should change to:

The PAT allows any memory type to be specified in the page table, and therefore it is possible to have a single physical page mapped to two different linear addresses with different memory types. Intel does not support this practice as it may lead to undefined operations including processor hang.

E8. System Management Interrupt (SMI) During Start-up IPI Clarification

The note on section 12.2 of Intel Architecture Software Developer's Manual Vol. 3: System Management Interrupt (SMI) states:

In the P6 family of processors, when a processor that is designated as the application processor during an MP initialization protocol is waiting for a startup IPI (SIPI), it is in a mode where SMIs are masked.

It should state:

In the P6 family of processors, when a processor that is designated as the application processor during an MP initialization protocol is waiting for a startup IPI (SIPI), it is in a mode where SMIs are masked. However if SMI is received while an application processor is in the wait for SIPI mode it will be pended. The processor will respond on receipt of a SIPI by immediately servicing the pended SMI and will go into SMM before executing from the SIPI vector.

E9. Runbist will not function when STPCLK# driven low

Paragraph 5 of Section 6.3 in the *P6 Family of Processors Hardware Developer's Manual* (Order Number 244001) currently states:

Note that RUNBIST will not function when the processor core clock has been stopped. All other 1149.1-defined instructions operate independently of the processor core clock.

It should state:

Note that RUNBIST will not function when the processor STPCLK# input has been driven low. All other 1149.1-defined instructions will correctly operate regardless of the STPCLK# signal state.

E10. Memory Aliasing with Inconsistent A and D Bits may Cause Processor Deadlock

Add the following note to Chapter 3 and Chapter 9.13.5 of the *Intel Architecture Software Developer's Manual, Volume 3: System Programming Guide*, Revision 2:

The processor allows memory aliasing by having two Page Directory Entries (PDEs) point to a common Page Table Entry (PTE). Software that needs to implement memory aliasing in this way should manage the consistency of the Accessed and Dirty bits. Allowing the Accessed and Dirty bits for the two PDEs to become inconsistent may lead to a processor deadlock.

E11. An Interrupt Could Occur While TSS is Marked Busy

Paragraph 5 of section 6.1.3 in the *Intel Architecture Software Developer's Manual, Volume 3: System Programming Guide*, currently states:

For all Intel Architecture processors, tasks are not recursive. A task cannot call or jump to itself.

It should state:

For all Intel Architecture processors, tasks are not recursive. A task cannot call or jump to itself. Because Intel Architecture tasks are not re-entrant, a task used as an interrupt handler must have interrupts disabled between the time it completes the interrupt and the time it exits with IRET. Otherwise, another interrupt could occur while the interrupt task's TSS is still marked busy, causing a #GP fault.

E12. NMI Unmasked Early When Processor is Running in V86 Mode

Section 5.5.1 in the *Intel Architecture Software Developer's Manual, Volume 3: System Programming Guide*, currently states:

While an NMI interrupt handler is executing, the processor disables additional calls to the NMI handler until the next IRET instruction is executed. This blocking of subsequent NMIs prevents stacking up calls to NMI handler. It is recommended that the NMI interrupt handler be accessed through an interrupt gate to disable maskable hardware interrupts (refer to section 5.6.1, "Masking Maskable Hardware Interrupts").

It should state:

While an NMI interrupt handler is executing, the processor disables additional calls to the NMI handler until the next IRET instruction is executed. This blocking of subsequent NMIs prevents stacking up calls to NMI handler. It is recommended that the NMI interrupt handler be accessed through an interrupt gate to disable maskable hardware interrupts (refer to section 5.6.1, "Masking Maskable Hardware Interrupts"). If the NMI handler is a virtual-8086 task with IOPL less than 3, the IRET from this handler triggers a general-protection exception (#GP) (section 16.2.7). In this case, NMI is unmasked before the #GP handler is invoked.

E13. P6 Reads Two Bytes for POP SEG Instruction

Paragraph 1 and 2 of section 18.24.1 in *Intel Architecture Software Developer's Manual, Volume 3: System Programming Guide*, currently states:

When pushing a segment selector onto the stack, the Intel486(TM) processor writes 2 bytes onto 4-byte stacks and decrements ESP by 4. The P6 family and Pentium® processors write 4 bytes, with the upper 2 bytes being zeros.

When popping a segment selector from the stack, the Intel486(TM) processor reads only 2 bytes. The P6 family and Pentium® processors read 4 bytes and discard the upper 2 bytes. This operation may have an effect if the ESP is close to the stack-segment limit. On the P6 family and Pentium® processors, stack location at ESP plus 4 may be above the stack limit, in which case a stack fault exception (#SS) will be generated. On the Intel486(TM) processor, stack location at ESP plus 2 may be less than the stack limit and no exception is generated.

It should state:

When pushing a segment selector, Intel486(TM) and P6 family processors decrement ESP by the operand size and then write two bytes. If the operand size is 32-bits, the upper two bytes of the write are unmodified. The Intel Pentium® processor decrements ESP by the operand size and determines the size of the write by the operand size. If the operand size is 32-bits, the upper two bytes of the write are zero.

When popping a segment selector, Intel486(TM) and P6 family processors read two bytes and increment ESP by the operand size of the instruction. The Intel Pentium® processor determines the size of the read by the operand size and increments ESP by the operand size.

It is possible to align a 32-bit selector push or pop such that the operation will generate an exception on the Intel Pentium® processor and not on the Intel486(TM) and P6 family processors. This could occur if the third and/or fourth byte of the operation lies beyond the limit of the segment or if the third and/or fourth byte of the operation is located on a not-present or inaccessible page.

E14. APIC Register Offsets are Aligned on 128-bit Boundaries

Paragraph 3 of section 7.5.7 in *Intel Architecture Software Developer's Manual, Volume 3: System Programming Guide*, currently states:

Within the 4KB APIC register area, the register address allocation scheme is shown in Table 7-1. Register offsets are aligned on 128-bit boundaries. All registers must be accessed using 32-bit loads and stores. Wider registers (64-bit or 256-bit) are defined and accessed as independent multiple 32-bit registers. If a LOCK prefix is used with a MOV instruction that accesses the APIC address space, the prefix is ignored; that is a locking operation does not take place.

It should say:

Within the 4KB APIC register area, the register address allocation scheme is shown in Table 7-1. Register offsets are aligned on 128-bit boundaries. All registers must be accessed using loads and stores that are aligned on 128-bit boundaries and manipulate the registers as 32-bit quantities. Wider registers (64-bit or 256-bit) are defined and accessed as independent multiple 32-bit registers. If a LOCK prefix is used with a MOV instruction that accesses the APIC address space, the prefix is ignored; that is a locking operation does not take place.

E15. Single Stepping of Instructions Breaks out of HALT State

Paragraph 1 of section 2.6.5 in Intel Architecture Software Developer's Manual, Volume 3: System Programming Guide, currently states:

The HLT (halt processor) instruction stops the processor until an enabled interrupt (such as NMI or SMI, which are normally enabled), the BINIT# signal, the INIT# signal, or the RESET# signal is received. The processor generates a special bus cycle to indicate that the halt mode has been entered. Hardware may respond to this signal in a number of ways. An indicator light on the front panel may be turned on. An NMI interrupt for recording diagnostic information may be generated. Reset initialization may be invoked. (Note that the BINIT# pin was introduced with the Pentium® Pro processor)

It should say:

The HLT (halt processor) instruction stops the processor until an enabled interrupt (such as NMI, or SMI which are normally enabled), a debug exception, the BINIT# signal, the INIT# signal, or the RESET# signal is received. The processor generates a special bus cycle to indicate that the halt mode has been entered. Hardware may respond to this signal in a number of ways. An indicator light on the front panel may be turned on. An NMI interrupt for recording diagnostic information may be generated. Reset initialization may be invoked. (Note that the BINIT# pin was introduced with the Pentium® Pro processor)

E16. Additional Signal Resumes Execution While in a HALT State

Paragraph 1 of the Description section of page 3-291 in *Intel Architecture Software Developer's Manual, Volume 2: Instruction Set Reference Manual*, currently states:

This instruction stops instruction execution and places the processor in a HALT state. An enabled interrupt, NMI, or a reset will resume execution. If an interrupt (including NMI) is used to resume execution after a HLT instruction, the saved instruction pointer (CS:EIP) points to the instruction following the HLT instruction.

It should say:

This instruction stops instruction execution and places the processor in a HALT state. An enabled interrupt (including NMI and SMI), a debug exception, the BINIT# signal, the INIT# signal, or the RESET# signal will resume execution. If an interrupt (including NMI) is used to resume execution after a HLT instruction, the saved instruction pointer (CS:EIP) points to the instruction following the HLT instruction.

E17. PDPTR Loads are Always Uncacheable

Paragraph 1 of section 3.8.4 in the *Intel Architecture Software Developer's Manual, Volume 3: System Programming Guide*, currently states:

Figure 3-20 shows the format for the page-directory-pointer-table, page-directory, and page-table entries when 4-KByte pages and 36-bit extended physical addresses are being used. Figure 3-21 shows the format for the page-directory-pointer-table and page-directory entries when 2-MByte pages and 36-bit extended physical addresses are being used. The functions of the flags in these entries are the same as described in Section 3.6.4., "Page-Directory and Page-Table Entries". The major differences in these entries are as follows:

- A page-directory-pointer-table entry is added.
- The size of the entries are increased from 32 bits to 64 bits.
- The maximum number of entries in a page directory or page table is 512.
- The base physical address field in each entry is extended to 24 bits.

It should state:

Figure 3-20 shows the format for the page-directory-pointer-table, page-directory, and page-table entries when 4-KByte pages and 36-bit extended physical addresses are being used. Figure 3-21 shows the format for the page-directory-pointer-table and page-directory entries when 2-MByte pages and 36-bit extended physical addresses are being used. The functions of the flags in these entries are the same as described in Section 3.6.4., "Page-Directory and Page-Table Entries". The major differences in these entries are as follows:

- A page-directory-pointer-table entry is added.
- The size of the entries is increased from 32 bits to 64 bits.
- The maximum number of entries in a page directory or page table is 512.
- The base physical address field in each entry is extended to 24 bits.

Note:

Initial processors that implement the PAE address translation mechanism use uncached accesses when loading page-directory-pointer table entries (PDPTRs). This behavior is model-specific and not architectural. Future processors may cache PDPTRs.

E18. SMI During HALT Causes PMC Miscalculation of Retired Instructions

Table A-6 of Appendix A in the *Intel Architecture Software Developer's Manual, Volume 3: System Programming Guide*, currently states:

Table A-6. Events That Can Be Counted with the P6 Family Performance-Monitoring Counters (Contd.)

Unit	Event Num.	Mnemonic Event Name	Unit Mask	Description	Comments
Instruction Decoding and Retirement	C0H	INST_RETIRED	OOH	Number of instructions retired.	A hardware interrupt received during/after the last iteration of the REP STOS flow causes the counter to undercount by 1 instruction.

It should state:

Table A-6. Events That Can Be Counted with the P6 Family Performance-Monitoring Counters (Contd.)

Unit	Event Num.	Mnemonic Event Name	Unit Mask	Description	Comments
Instruction Decoding and Retirement	C0H	INST_RETIRED	OOH	Number of instructions retired.	<p>A hardware interrupt received during/after the last iteration of the REP STOS flow causes the counter to undercount by 1 instruction.</p> <p>An SMI received while executing a HLT instruction will cause the performance counter to not count the RSM instruction and therefore undercount by 1.</p>

E19. INIT Message is Not Sent Out Through APIC

In section 7.6.13 in the Intel Architecture Software Developer's Manual, Volume 3: System Programming Guide, currently states:

101 (INIT Level De-assert)

(The trigger mode must also be set to 1 and level mode to 0.) Sends a synchronization message to all APIC agents to set their arbitration IDs to the values of their APIC IDs. Note that the INIT interrupt is sent to all agents, regardless of the destination field value. However, at least one valid destination processor should be specified. For future compatibility, the software is requested to use a broadcast-to-all ("all-incl-self" shorthand, as described below).

It should state:

101 (INIT Level De-assert)

(The trigger mode must also be set to 1 and level mode to 0.) Sends a synchronization message to all APIC agents to set their arbitration IDs to the values of their APIC IDs. Note that the INIT interrupt is sent to all agents, regardless of the destination field value; however, at least one valid destination processor should be specified. For future compatibility, the software should use the "all excluding self" shorthand instead of designating a destination processor.

E20. Machine Check Exception detected when BINIT# drive enabled

The last paragraph of section 13.7.1 in the *Intel Architecture Software Developer's Manual, Volume 3: System Programming Guide*, currently states:

13.7.1 Machine Check Exception Handler

- The MCIP flag in the IA32_MCG_STATUS register indicates whether a machine-check exception was generated. Before returning from the machine-check exception handler, software should clear this flag so that it can be used reliably by an error logging utility. The MCIP flag also detects recursion. The machine-check architecture does not support recursion. When the processor detects machine-check recursion, it enters the shutdown state.

It should state

13.7.1 Machine Check Exception Handler

- The MCIP flag in the IA32_MCG_STATUS register indicates whether a machine-check exception was generated. Before returning from the machine-check exception handler, software should clear this flag so that it can be used reliably by an error logging utility. The MCIP flag also detects recursion. The machine-check architecture does not support recursion. When the processor detects machine-check recursion, it enters the shutdown state.

Note: For complete operation of the processors machine check capabilities it is essential that the system BIOS enable BINIT# drive and BINIT# observation. This allows the processor to use BINIT# to clear internal and potentially external blocking states and correctly report a wider range of machine check exceptions. For Example, on a Intel® Pentium® III processor that is executing a locked CMPXCHG8B instruction and a machine check exception is seen on the initial data read, but the comparison operation fails, the processor unlocks the bus after completion of the locked sequence by asserting a BINIT# signal. Without BINIT# drive (UP environment) or BINIT# drive and

E24. XCHG encoding operand information is incorrect since there is no w bit for the 2nd operand form, therefore AL is not allowed

Architecture Software Developer's Manual, Volume 2: Instruction Set Reference Appendix B, table B-10 incorrectly documents opcode encoding format of XCHG. It currently states:

XCHG - Exchange Register/Memory with Register	
register1 with register2	1000 011w : 11 reg1 reg2
AL, AX, or EAX with reg	1001 0 reg
memory with reg	1000 011w : mod reg r/m

It should state:

XCHG - Exchange Register/Memory with Register	
register1 with register2	1000 011w : 11 reg1 reg2
AX or EAX with reg	1001 0 reg
memory with reg	1000 011w : mod reg r/m



SPECIFICATION CLARIFICATIONS

The Specification Clarifications listed in this section apply to the following documents:

- Pentium® III Processor for the SC242 at 450 MHz to 1.13 GHz datasheet
- Pentium® III Processor for the PGA370 Socket up to 1.0 GHz datasheet
- P6 Family of Processors Hardware Developer's Manual
- Intel Architecture Software Developer's Manual, Volumes 1, 2, and 3

All Specification Clarifications will be incorporated into a future version of the appropriate Pentium III processor documentation.

E1. MTRR Initialization Clarification

The following sentence should be added to the end of the first paragraph of Section 9.11.5 of the *Intel Architecture Software Developer's Manual, Volume 3: System Programming Guide*: "The MTRRs must be disabled prior to initialization or modification."

E2. Floating-Point Opcode Clarification

Section 3.2 of the *Intel Architecture Software Developer's Manual, Volume 2: Instruction Set Reference*, provides detailed descriptions of each Intel Architecture instruction. For some instructions, the clarification phrase below needs to be either added to their existing "Comments" section or a "Comments" section needs to be created with the clarification phrase. The phrase is as follows:

The (**Instruction** shown in the center column of the table below) instruction is actually a combination of two instructions – the wait instruction followed by (**Instruction** shown in the table). If the (**Instruction** shown in the table) instruction should fault in some way (e.g., page fault), the value of EIP that is passed to the fault handler will be equal to the EIP of the first instruction plus one (i.e., the EIP of the second of the pair of instructions). The FWAIT portion of the combined instruction will have completed execution and will typically not be, nor need to be, re-executed after the fault handler is completed.

The following table lists the affected instructions and the location of the clarification phrase:

Instruction Set Reference Section	Opcode	Instruction	Clarification	Page
FCLEX/FNCLEX-Clear Exceptions	9B DB E2	FCLEX	Add "Comments" section with clarification phrase	3-177
FINIT/FNINIT-Initialize Floating-Point Unit	9B DB E3	FINIT	Add clarification phrase to existing "Comments" section	3-204
FSAVE/FNSAVE-Store FPU State	9B DD /6	FSAVE m94/108byte	Add clarification phrase to existing "Comments" section	3-237
FSTCW/FNSTCW-Store Control Word	9B D9 /7	FSTCW m2byte	Add "Comments" section with clarification phrase	3-250
FSTENV/FNSTENV-Store FPU Environment	9B D9 /6	FSTENV m14/28byte	Add "Comments" section with clarification phrase	3-253
FSTSW/FNSTSW-Store Status Word	9B DD /7	FSTSW m2byte	Add "Comments" section with clarification phrase	3-256
	9B DF E0	FSTSW AX		

E3. Non-AGTL+ Output Low Current Clarification

In Table 10 of the *Pentium® III Processor for the SC242 at 450 MHz to 733 MHz* datasheet, the note in **bold** should be added:

Symbol	Parameter	Min	Max	Unit	Notes
VIL	Input Low Voltage	-0.30	0.5	V	3, 8
		-0.15	0.7	V	3, 9, 10
		-0.30	0.5	V	2, 9; BCLK only
		-0.30	0.7	V	2, 9; PICCLK only
		-0.15	0.7	V	2, 9; PWRGOOD only
VIH	Input High Voltage	1.7	2.625	V	3, 8
		1.7	2.625	V	3, 9, 10
		2.0	2.625	V	2, 9; BCLK, PICCLK, and PWRGOOD only
VOL	Output Low Voltage		0.4	V	3, 4
VOH	Output High Voltage	N/A	2.625	V	All outputs are open-drain
IOL	Output Low Current	14		mA	3, 11
IL	Leakage Current		±100	µA	5, 6, 7

NOTES:

- Unless otherwise noted, all specifications in this table apply to all Intel® Pentium® III processor frequencies.
- These values are specified at the processor core pins.
- These values are specified at the processor edge fingers.
- Parameter measured at 14 mA (for use with TTL inputs).
- Leakage current affects input, output, and I/O signals.
- ($0 \leq V_{IN} \leq 2.5 \text{ V} + 5\%$).
- ($0 \leq V_{OUT} \leq 2.5 \text{ V} + 5\%$).
- This specification applies to the Pentium® III processor with CPUID=067xh.
- This specification applies to the Pentium® III processor with CPUID=068xh.
- Parameters apply to all non-AGTL+ signals except for BCLK, PICCLK, and PWRGOOD.
- Specified as the minimum amount of current that the output buffer must be able to sink. However, VOL_MAX cannot be guaranteed if this specification is exceeded.**

In Table 8 of the *Pentium® III Processor for the PGA370 Socket at 500 MHz and 550 MHz* datasheet, the note in **bold** should be added:

Symbol	Parameter	Min	Max	Unit	Notes
VIL _{1.5}	Input Low Voltage	-0.150	VREF - 0.200	V	9
VIL _{2.5}	Input Low Voltage	-0.58	0.700	V	5, 8
VIH _{1.5}	Input High Voltage	VREF + 0.200	VTT	V	6, 9
VIH _{2.5}	Input High Voltage	2.000	3.18	V	5, 8
VOL	Output Low Voltage		0.400	V	2



Symbol	Parameter	Min	Max	Unit	Notes
VOH	Output High Voltage		VTT	V	7, 9, All outputs are open-drain
IOL	Output Low Current	9		mA	10, 11
ILI	Input Leakage Current		±100	μA	3, 6
ILO	Output Leakage Current		±100	μA	4, 7

NOTES:

1. Unless otherwise noted, all specifications in this table apply to all Intel® Pentium® III processor frequencies.
2. Parameter measured at 9 mA (for use with TTL inputs).
3. ($0 \leq V_{IN} \leq 2.5 \text{ V} + 5\%$).
4. ($0 \leq V_{OUT} \leq 2.5 \text{ V} + 5\%$).
5. For BCLK specifications, refer to Table 17 on page 33.
6. ($0 \leq V_{IN} \leq 1.5 \text{ V} + 5\%$).
7. ($0 \leq V_{OUT} \leq 1.5 \text{ V} + 5\%$).
8. Applies to non-AGTL+ signals BCLK, PICCLK, and PWRGOOD.
9. Applies to non-AGTL+ signals except BCLK, PICCLK, and PWRGOOD.
10. These values are specified at the processor core pins.
11. **Specified as the minimum amount of current that the output buffer must be able to sink. However, VOL_MAX cannot be guaranteed if this specification is exceeded.**

SPECIFICATION CHANGES

The Specification Changes listed in this section apply to the following documents:

- *Pentium® III Processor for the SC242 at 450 MHz to 1.13 GHz* datasheet
- *Pentium® III Processor for the PGA370 Socket up to 1.0 GHz* datasheet
- *P6 Family of Processors Hardware Developer's Manual*
- *Intel Architecture Software Developer's Manual, Volumes 1, 2, and 3*

All Specification Changes will be incorporated into a future version of the appropriate Pentium III processor documentation.

E1. FRCERR Pin Removed from Specification

The Pentium III processor will not use the FRCERR pin. All references to these pins will be removed from the specification. These references currently appear in the *Intel Architecture Software Developer's Manual, Volume 3: System Programming Guide*, Appendix B.

E2. Non-AGTL+ Output Leakage Current Change

The CMOS, TAP, Clock and APIC Signal Group Output Leakage Current specification (I_{LO} in Table 6 of the *Pentium® III Processor at 450 MHz, 500 MHz, 533B MHz, 550 MHz, 600/600B MHz* datasheet) should be changed from $\pm 15 \mu A$ to $\pm 30 \mu A$.

E3. RESET# Pin Definition

The *P6 Family of Processors Hardware Developer's Manual* and the *Pentium® III Processor at 450 MHz, 500 MHz, 533B MHz, 550 MHz, 600/600B MHz* datasheet both have incorrect definitions of the RESET# pin in their alphabetical signal listing. These documents incorrectly state:

RESET# must remain active for one microsecond for a "warm" Reset; for a Power-on Reset, RESET# must stay active for at least one millisecond after V_{CCCORE} and CLK have reached their proper specifications.

They should state:

For a Power-on or "warm" reset, RESET# must stay active for at least one millisecond after V_{CCCORE} and CLK have reached their proper specifications.

E4. Non-AGTL+ Output Low Voltage Change

In Table 10 of the Pentium® III Processor for the SC242 at 450 MHz to 733 MHz datasheet, the specification in **bold** has changed:

Symbol	Parameter	Min	Max	Unit	Notes
VIL	Input Low Voltage	-0.30	0.5	V	3, 8
		-0.15	0.7	V	3, 9, 10
		-0.30	0.5	V	2, 9; BCLK only
		-0.30	0.7	V	2, 9; PICCLK only
		-0.15	0.7	V	2, 9; PWRGOOD only
VIH	Input High Voltage	1.7	2.625	V	3, 8
		1.7	2.625	V	3, 9, 10
		2.0	2.625	V	2, 9; BCLK, PICCLK, and PWRGOOD only
VOL	Output Low Voltage		0.5	V	3, 4
VOH	Output High Voltage	N/A	2.625	V	All outputs are open-drain
IOL	Output Low Current	14		mA	3, 11
IL	Leakage Current		±100	µA	5, 6, 7

NOTES:

1. Unless otherwise noted, all specifications in this table apply to all Intel® Pentium® III processor frequencies.
2. These values are specified at the processor core pins.
3. These values are specified at the processor edge fingers.
4. Parameter measured at 14 mA (for use with TTL inputs).
5. Leakage current affects input, output, and I/O signals.
6. ($0 \leq V_{IN} \leq 2.5\text{ V} + 5\%$).
7. ($0 \leq V_{OUT} \leq 2.5\text{ V} + 5\%$).
8. This specification applies to the Pentium® III processor with CPUID=067xh.
9. This specification applies to the Pentium® III processor with CPUID=068xh.
10. Parameters apply to all non-AGTL+ signals except for BCLK, PICCLK, and PWRGOOD.
11. **Specified as the minimum amount of current that the output buffer must be able to sink. However, VOL_MAX cannot be guaranteed if this specification is exceeded.**

E5. SECC2 Processor Package Height Change

The Pentium® III Processor for the SC242 at 450MHz to 733MHz datasheet provides incorrect OLGA package height dimensions. Figure 35 shows the OLGA package height for CPUID 067xh = 0.94" and for CPUID 068xh = 0.90".

The correct OLGA package height for the Pentium® III Processor – CPUID 067xh is 0.094±0.005".

The correct OLGA package height for the Pentium® III Processor – CPUID 068xh is 0.090±0.005".



E6. AGTL+ Output Valid Delay Change

In Table 8 of the *Pentium® III Processor for the PGA370 Socket at 500E MHz and 550E MHz* datasheet, the specification shown in **bold** has changed:

T# Parameter	Min	Max	Unit	Figure	Notes
T7: AGTL+ Output Valid Delay	0.40	3.255	ns	7	4, 10
T8: AGTL+ Input Setup Time	1.20		ns	8	5, 6, 7, 10
T9: AGTL+ Input Hold Time	1.00		ns	8	8, 10
T10: RESET# Pulse Width	1.00		ms	9	6, 9, 10

NOTES:

1. Unless otherwise noted, all specifications in this table apply to Pentium III processors at all frequencies.
2. These specifications are tested during manufacturing.
3. All AC timings for the AGTL+ signals are referenced to the BCLK rising edge at 1.25V at the processor pin. All AGTL+ signal timings (compatibility signals, etc.) are referenced at 1.00V at the processor pins.
4. Valid delay timings for these signals are specified into 50 Ω to 1.5 V, V_{REF} at 1.0 V $\pm 2\%$ and with 56 Ω on-die R_{TT} .
5. A minimum of 3 clocks must be guaranteed between two active-to-inactive transitions of TRDY#.
6. RESET# can be asserted (active) asynchronously, but must be deasserted synchronously. For 2-way MP systems, RESET# should be synchronous.
7. Specification is for a minimum 0.40 V swing from $V_{REF} - 200$ mV to $V_{REF} + 200$ mV. This assumes an edge rate of 0.3V/ns.
8. Specification is for a maximum 1.0 V swing from $V_{TT} - 1V$ to V_{TT} . This assumes an edge rate of 3V/ns.
9. This should be measured after $V_{CC_{CORE}}$, V_{TT} , $V_{CC_{CMOS}}$, and BCLK become stable.
10. This specification applies to the Pentium III processor running at 100 MHz system bus frequency

E7. Pentium® III -256K FC-PGA Vcc Transient Spec Change

Intel is changing the Vcc core transient spec for FC-PGA processors running at frequencies of 933MHz and above. The spec is changing from -130 mV to -110 mV. SECC2 processors are not impacted by this change since they already meet the -110 mV requirement.