



Pentium[®] II Processor Specification Update

Release Date: January 1999

Order Number: 243337-022

The Pentium[®] II processor may contain design defects or errors known as errata which may cause the product to deviate from published specifications. Current characterized errata are documented in this Specification Update.

Information in this document is provided in connection with Intel products. No license, express or implied, by estoppel or otherwise, to any intellectual property rights is granted by this document. Except as provided in Intel's Terms and Conditions of Sale for such products, Intel assumes no liability whatsoever, and Intel disclaims any express or implied warranty, relating to sale and/or use of Intel products including liability or warranties relating to fitness for a particular purpose, merchantability, or infringement of any patent, copyright or other intellectual property right. Intel products are not intended for use in medical, life saving, or life sustaining applications.

Intel may make changes to specifications and product descriptions at any time, without notice.

Designers must not rely on the absence or characteristics of any features or instructions marked "reserved" or "undefined." Intel reserves these for future definition and shall have no responsibility whatsoever for conflicts or incompatibilities arising from future changes to them.

The Pentium® II processor may contain design defects or errors known as errata which may cause the product to deviate from published specifications. Current characterized errata are available on request.

The Specification Update should be publicly available following the last shipment date for a period of time equal to the specific product's warranty period. Hardcopy Specification Updates will be available for one (1) year following End of Life (EOL). Web access will be available for three (3) years following EOL.

Contact your local Intel sales office or your distributor to obtain the latest specifications and before placing your product order.

Copies of documents which have an ordering number and are referenced in this document, or other Intel literature, may be obtained by calling 1-800-548-4725 or by visiting Intel's website at <http://www.intel.com>

Copyright © Intel Corporation 1999.

- Third-party brands and names are the property of their respective owners.

CONTENTS

REVISION HISTORY	v
PREFACE	vii
Specification Update for Pentium® II Processors.....	1
GENERAL INFORMATION.....	3
ERRATA.....	16
DOCUMENTATION CHANGES	51
SPECIFICATION CLARIFICATIONS	64
SPECIFICATION CHANGES	81



REVISION HISTORY

Date of Revision	Version	Description
May 1997	-001	This document is the first Specification Update for the Pentium® II processor.
June 1997	-002	Added Erratum 25. Update Erratum 13 status in the Summary Table of Changes. Added Documentation Change Table and Documentation Change 1. Added 300-MHz Pentium II processor information.
July 1997	-003	Added Erratum 26. Added Specification Change Table and Specification Changes 1 and 2.
August 1997	-004	Added Erratum 27. Added Document Change 2 and Spec Changes 3, 4, 5, 6, and 7.
September 1997	-005	Updated Erratum 27. Added Errata 28 and 29. Added Document Change 3 and Spec Clarification 1. Added C1 stepping information. Updated Spec Change 6.
October 1997	-006	Updated Errata 6 and 18, and S-spec table.
November 1997	-007	Updated Erratum 22. Added Specification Clarification 2, 3, and 4.
December 1997	-008	Updated and added notes to S-spec table. Updated package information table. Updated Errata 24. Added Errata 30, 31, and 32.
January 1998	-009	Added notes to Pentium II processor markings. Updated Erratum 28. Added Erratum 33. Added Documentation Change 4 and 5. Added Specification Change 5.
January 26, 1998 (Special Edition)	-010	Updated S-spec table. Added dA0 stepping information. Added Errata 34, 35, 36, 37, and 38.
February 1998	-011	Added new processor markings. Corrected Errata 13 and 34 for steppings affected. Corrected typos in summary table for Errata 34, 35, and 36. Added Erratum 39. Added Documentation Change 6.
March 1998	-012	Added new boxed processor markings. Updated Documentation Changes section, Specification Clarifications section, and Specification Changes section. Corrected Erratum 8. Added Errata 40, and 41. Added Documentation Changes 6 and 7. Added Specification Clarification 6. Added Specification Changes 1 and 2.
April 1998	-013	Added new Mobile Pentium II processor markings and Pentium II Mobile Modules markings. Updated Documentation Changes section, Specification Clarifications section, and Specification Changes section. Updated S-spec table. Added new steppings to Summary Table of Changes. Corrected Erratum 1. Added Errata 42, 43 and 44. Added Documentation Change 8. Updated Specification Change 1. Added Specification Change 3.
May 1998	-014	Updated S-spec table. Updated Errata 2 and 42. Added Errata 45 through 51. Corrected Documentation Change 7. Updated Specification Change 2.

Date of Revision	Version	Description
June 1998	-015	Updated S-spec Table. Updated Summary Table of Changes. Updated Erratum 47. Added Errata 52 and 53. Added Documentation Changes 9 through 16. Added Specification Clarifications 7 through 9. Updated Specification Change 1. Added Specification Change 4 and 5.
July 1998	-016	Added Pentium II Processor and Boxed Pentium II Processor 3 Line Markings. Updated Preface, Documentation Changes section, Specification Clarifications section, and Specification Changes section. Updated S-spec Table. Updated Summary Table of Changes. Added Errata 54 and 55. Added Documentation Changes 17 through 21. Added Specification Clarifications 10 through 15. Added Specification Change 6.
August 1998	-017	Moved all references to the Mobile Pentium II processor to the <i>Mobile Pentium® II Processor Specification Update</i> . Updated S-spec Table. Updated Summary Table of Changes. Updated Errata 6 and 38. Added Errata 56 through 59. Updated Specification Clarification 5.
September 1998	-018	Added new Pentium II OverDrive® processor markings. Updated S-spec table. Updated Errata 56 and 57. Added Errata 60 through 62. Added Specification Changes 6 and 7.
October 1998	-019	Implemented new numbering nomenclature. Updated S-spec table. Updated Errata A1 and A48. Added Errata A62, A63 and A64. Added Specification Change A8. Added Specification Clarifications A16 and A17.
November 1998	-020	Updated Specification Change A1, Documentation Change A11, Erratum A44, Specification Change A6 and the Pentium II Processor Identification Information table. Added Erratum A65 and Documentation Change A18.
December 1998	-021	Updated Specification Change A1 and the Pentium II Processor Identification Information table. Added Erratum A66. Updated status for Errata A16 through A29, A31, A35 through A39, A42, A48, A54, A57, and A60. Changed affected steppings for Erratum A32.
January 1999	-022	Updated Specification Change A1 and the Pentium II Processor Identification Information table. Added Errata A67 through A69, and Documentation Change A19 through A21.

PREFACE

This document is an update to the specifications contained the *Pentium® II Processor Developer's Manual* (Order Number 243341), the *Pentium® II Processor at 233 MHz, 266 MHz, 300 MHz, and 333 MHz* datasheet (Order Number 243335), the *Pentium® II Processor at 350 MHz, 400 MHz, and 450 MHz* datasheet (Order Number 243657), and the *Intel Architecture Software Developer's Manual, Volumes 1, 2 and 3* (Order Numbers 243190, 243191, and 243192, respectively). It is intended for hardware system manufacturers and software developers of applications, operating systems, or tools. It contains Specification Changes, S-Specs, Errata, Specification Clarifications, and Documentation Changes.

Nomenclature

Specification Changes are modifications to the current published specifications for the Pentium® II processor. These changes will be incorporated in the next release of the specifications.

S-Specs are exceptions to the published specifications, and apply only to the units assembled under that s-spec.

Specification Clarifications describe a specification in greater detail or further highlight a specification's impact to a complex design situation. These clarifications will be incorporated in the next release of the specifications.

Documentation Changes include typos, errors, or omissions from the current published specifications. These changes will be incorporated in the next release of the specifications.

Errata are design defects or errors. Errata may cause the Pentium II processor's behavior to deviate from published specifications. Hardware and software designed to be used with any given processor must assume that all errata documented for that processor are present on all devices unless otherwise noted.

Identification Information

The Pentium II processor can be identified by the following values:

Family ¹	233-, 266-, 300, 333 ³ -MHz Model 3 ²	266-, 300-, 333-, 350-, 400-, and 450- MHz Model 5 ²
0110	0011	0101

NOTES:

1. The Family corresponds to bits [11:8] of the EDX register after RESET, bits [11:8] of the EAX register after the CPUID instruction is executed with a 1 in the EAX register, and the generation field of the Device ID register accessible through Boundary Scan.
2. The Model corresponds to bits [7:4] of the EDX register after RESET, bits [7:4] of the EAX register after the CPUID instruction is executed with a 1 in the EAX register, and the model field of the Device ID register accessible through Boundary Scan.
3. This is a Pentium® II OverDrive® processor. Please note that although this processor has a CPUID of 163xh, it uses a Pentium II processor CPUID 065xh processor core.

The Pentium II processor's second level (L2) cache size can be determined by the following register contents:

512-Kbyte Unified L2 Cache¹	43h
---	-----

NOTE:

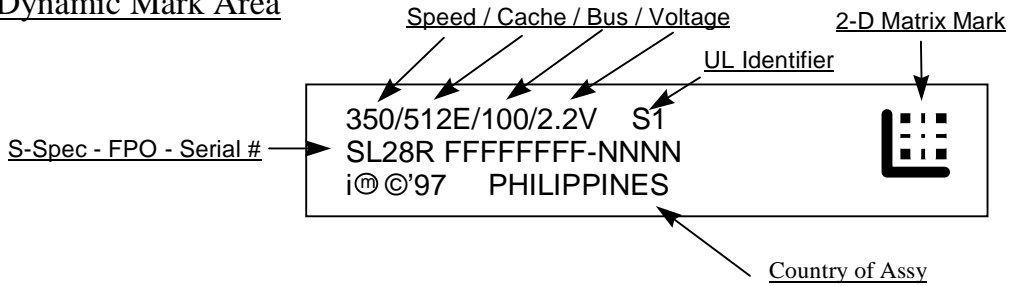
1. For the Pentium® II processor, the unified L2 cache size corresponds to the value in bits [3:0] of the EDX register after the CPUID instruction is executed with a 2 in the EAX register. Other Intel microprocessor models or families may move this information to other bit positions or otherwise reformat the result returned by this instruction; generic code should parse the resulting token stream according to the definition of the CPUID instruction.

Specification Update for Pentium® II Processors

GENERAL INFORMATION

Pentium® II Processor and Boxed Pentium® II Processor 3 Line Markings

Dynamic Mark Area

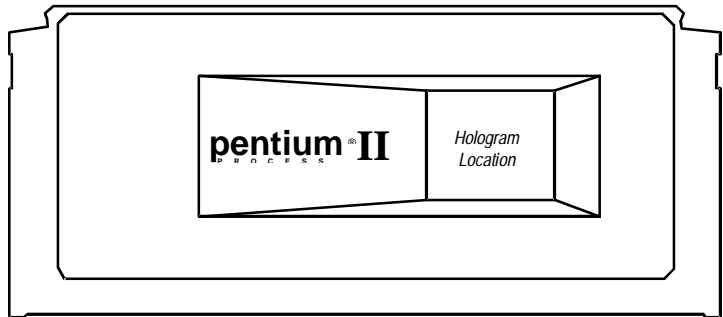
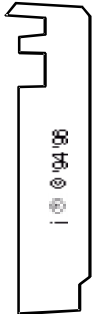
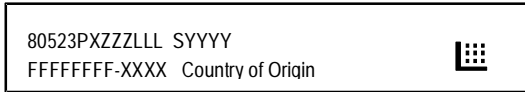


Pentium® II Processor Markings

Dynamic Mark Area



2-D Matrix Mark
 Intel UCC#
 Order Code (Product - speed)
 S Number
 Lot Number (date, factory)



NOTES:

- ZZZ = Speed (MHz).
- SYYYY = S-spec Number.
- LLL = Level 2 Cache Size (in Kilobytes).
- FFFFFFFF = FPO # (Test Lot Traceability #).
- XXXX = Serialization Code.

Boxed Pentium® II Processor Markings

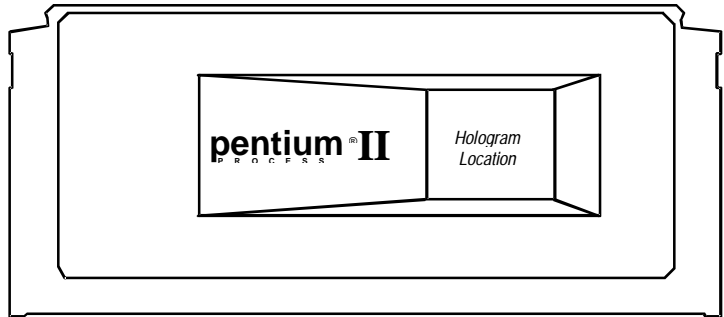
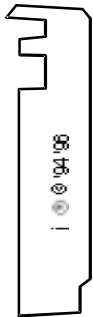
Dynamic Mark Area

C-Step Production Units



2-D Matrix Mark
 Intel UCC#
 Order Code (Product - speed)
 S Number
 Lot Number (date, factory)

dA-Step Production Units

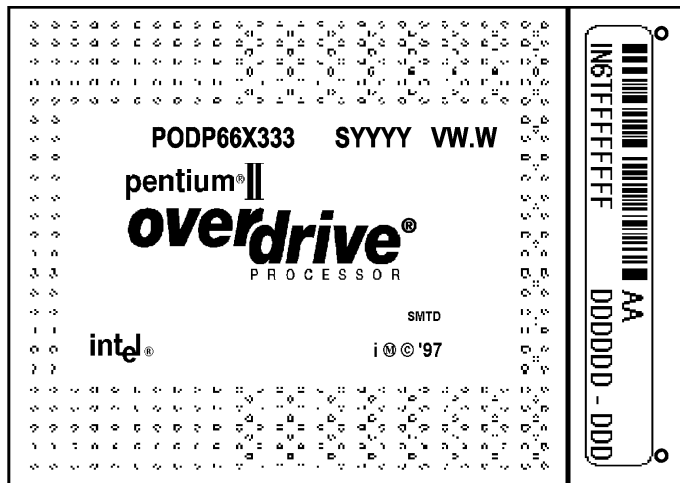


NOTES:

- ZZZ = Speed (MHz).
- LLL = Level 2 Cache Size (in Kilobytes).
- E = ECC Support in Level 2 Cache
- SYYYY = S-spec Number.
- FFFFFFFF = FPO # (Test Lot Traceability #).
- XXXX = Serialization Code.

Pentium® II OverDrive® Processor Line Markings

Bottom View of Pentium® II OverDrive® Processor



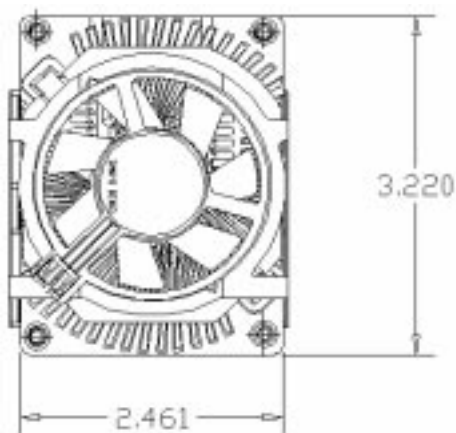
NOTES:

Label Markings

- FFFFFFFF = FPO # (Test Lot Traceability #).
- DDDDDD – DDD= Altered Assembly Number.

Bottom Cover Markings

- PODP66X333 = Product Code.
- SYYYY = S-spec Number.
- VW.W = Version Number.



NOTES:

1. Attached fan heat sink is not end user removable.
2. Fan power is provided through external fan power connector, not through the processor socket.

Summary Table of Changes

The following table indicates the Specification Changes, Errata, Specification Clarifications, or Documentation Changes which apply to the Pentium II processors. Intel intends to fix some of the errata in a future stepping of the component, and to account for the other outstanding issues through documentation or specification changes as noted. This table uses the following notations:

CODES USED IN SUMMARY TABLE

X:	Specification Change, Erratum, Specification Clarification, or Documentation Change applies to the given processor stepping.
Doc:	Intel intends to update the appropriate documentation in a future revision.
Fix:	This erratum is intended to be fixed in a future stepping of the component.
Fixed:	This erratum has been previously fixed.
NoFix:	There are no plans to fix this erratum.
(No mark) or (blank box):	This item is fixed in or does not apply to the given stepping.
AP:	APIC related erratum.
SUB:	This column refers to errata on the Pentium® II processor substrate.

Shaded: This item is either new or modified from the previous version of the document.

Some of Intel's Specification Updates will be undergoing a numbering methodology change to reduce confusion when referring to errata which affect a specific product. Each Specification Update item will be prefixed with a capital letter to distinguish the product it refers to. The key below details the letters which will be used for the current Intel microprocessor Specification Updates:

A = Pentium® II processor

B = Mobile Pentium II processor

C = Intel® Celeron™ processor

D = Pentium II Xeon™ processor

The Specification Updates for the Pentium processor, Pentium Pro processor, and other Intel products will not be implementing such a convention at this time.



Pentium® II Processor Identification Information

S-Spec	Core Stepping	CPUID	Speed (MHz) Core/Bus	L2 Size (Kbytes)	TagRAM/Stepping	ECC/Non-ECC	Processor Substrate Revision	Package and Revision	Notes
SL264	C0	0633h	233/66	512	T6/B0	non-ECC	D	SECC 3.00	1, 2, 13
SL265	C0	0633h	266/66	512	T6/B0	non-ECC	D	SECC 3.00	1, 2, 13
SL268	C0	0633h	233/66	512	T6/B0	ECC	D	SECC 3.00	1, 2, 13
SL269	C0	0633h	266/66	512	T6/B0	ECC	D	SECC 3.00	1, 2, 13
SL28K	C0	0633h	233/66	512	T6/B0	non-ECC	D	SECC 3.00	1, 2, 3, 9, 13
SL28L	C0	0633h	266/66	512	T6/B0	non-ECC	D	SECC 3.00	1, 2, 3, 9, 13
SL28R	C0	0633h	300/66	512	T6/B0	ECC	D	SECC 3.00	1, 2, 13
SL2MZ	C0	0633h	300/66	512	T6/B0	ECC	D	SECC 3.00	1, 2, 3, 13
SL2HA	C1	0634h	300/66	512	T6/B0	ECC	D	SECC 3.00	1, 2, 13
SL2HC	C1	0634h	266/66	512	T6/B0	non-ECC	D	SECC 3.00	1, 2, 13
SL2HD	C1	0634h	233/66	512	T6/B0	non-ECC	D	SECC 3.00	1, 2, 13
SL2HE	C1	0634h	266/66	512	T6/B0	ECC	D	SECC 3.00	1, 2, 13
SL2HF	C1	0634h	233/66	512	T6/B0	ECC	D	SECC 3.00	1, 2, 13
SL2QA	C1	0634h	233/66	512	T6/B0	non-ECC	D	SECC 3.00	1, 2, 3, 9, 13
SL2QB	C1	0634h	266/66	512	T6/B0	non-ECC	D	SECC 3.00	1, 2, 3, 9, 13
SL2QC	C1	0634h	300/66	512	T6/B0	ECC	D	SECC 3.00	1, 2, 3, 13
SL2KA	dA0	0650h	333/66	512	T6P/A3	ECC	B1	SECC 3.00	4, 5, 8, 14
SL2QF	dA0	0650h	333/66	512	T6P/A3	ECC	B1	SECC 3.00	3, 4, 5, 8, 14
SL2K9	dA0	0650h	266/66	512	T6P/A3	ECC	B1	SECC 3.00	4, 5, 8, 14
SL35V	dA1	0651h	300/66	512	T6P-e/A0	ECC	B1	SECC 3.00	3, 4, 5, 7, 8, 15
SL2QH	dA1	0651h	333/66	512	T6P-e/A0	ECC	B1	SECC 3.00	3, 4, 5, 7, 8, 15
SL2S5	dA1	0651h	333/66	512	T6P-e/A0	ECC	B1	SECC 3.00	4, 5, 7, 8, 15
SL2S6	dA1	0651h	350/100	512	T6P-e/A0	ECC	B1	SECC 3.00	4, 6, 7, 8, 15
SL2S7	dA0	0651h	400/100	512	T6P-e/A0	ECC	B1	SECC 3.00	4, 6, 7, 8, 10, 15
SL2SF	dA1	0651h	350/100	512	T6P-e/A0	ECC	B1	SECC 3.00	3, 4, 6, 7, 8, 15
SL2SH	dA1	0651h	400/100	512	T6P-e/A0	ECC	B1	SECC 3.00	3, 4, 6, 7, 8, 10, 15
SL2VY	dA1	0651h	300/66	512	T6P-e/A0	ECC	B1	SECC 3.00	3, 4, 6, 7, 8, 15
SL33D	dB0	0652h	266/66	512	T6P-e/A0	ECC	B1	SECC 3.00	3, 4, 5, 7, 8, 15
SL2YK	dB0	0652h	300/66	512	T6P-e/A0	ECC	B1	SECC 3.00	3, 4, 5, 7, 8, 15
SL2WY	dB0	0652h	333/66	512	T6P-e/A0	ECC	B1	SECC 3.00	3, 4, 5, 7, 8, 15
SL2WZ	dB0	0652h	350/100	512	T6P-e/A0	ECC	B1	SECC 3.00	3, 4, 6, 7, 8, 15
SL2YM	dB0	0652h	400/100	512	T6P-e/A0	ECC	B1	SECC 3.00	3, 4, 6, 7, 8, 10, 15
SL2WB	dB0	0652h	450/100	512	T6P-e/A0	ECC	B1	SECC 3.00	3, 4, 7, 8, 10, 11, 15



Pentium® II Processor Identification Information (Continued)

S-Spec	Core Stepping	CPUID	Speed (MHz) Core/Bus	L2 Size (Kbytes)	TagRAM/Stepping	ECC/Non-ECC	Processor Substrate Revision	Package and Revision	Notes
SL2W7	dB0	0652h	266/66	512	T6P-e/A0	ECC	B1	SECC 2.00	4, 5, 7, 8, 15
SL2W8	dB0	0652h	300/66	512	T6P-e/A0	ECC	B1	SECC 3.00	4, 5, 7, 8, 15
SL2TV	dB0	0652h	333/66	512	T6P-e/A0	ECC	B1	SECC 3.00	4, 5, 7, 8, 15
SL2U3	dB0	0652h	350/100	512	T6P-e/A0	ECC	B1	SECC 3.00	4, 6, 7, 8, 15
SL2U4	dB0	0652h	350/100	512	T6P-e/A0	ECC	B0	SECC 3.00	4, 6, 7, 8, 15
SL2U5	dB0	0652h	400/100	512	T6P-e/A0	ECC	B1	SECC 3.00	4, 6, 7, 8, 10, 15
SL2U6	dB0	0652h	400/100	512	T6P-e/A0	ECC	B0	SECC 3.00	4, 6, 7, 8, 10, 15
SL2U7	dB0	0652h	450/100	512	T6P-e/A0	ECC	B0	SECC 3.00	4, 7, 8, 10, 11, 12, 15
SL356	dB0	0652h	350/100	512	T6P-e/A0	ECC	B1	SECC2 PLGA	1, 7, 8, 10, 15, 16
SL357	dB0	0652h	400/100	512	T6P-e/A0	ECC	B0	SECC2 OLGA	1, 7, 8, 10, 15, 16
SL358	dB0	0652h	450/100	512	T6P-e/A0	ECC	B0	SECC2 OLGA	1, 7, 8, 10, 15, 16, 17
SL37F	dB0	0652h	350/100	512	T6P-e/A0	ECC	B1	SECC2 PLGA	1, 3, 7, 8, 10, 15, 16
SL38M	dB1	0653h	350/100	512	T6P-e/A0	ECC	B1	SECC 3.00	1, 3, 6, 7, 8, 10, 15
SL38N	dB1	0653h	400/100	512	T6P-e/A0	ECC	B1	SECC 3.00	1, 3, 6, 7, 8, 10, 15
SL36U	dB1	0653h	350/100	512	T6P-e/A0	ECC	B1	SECC 3.00	1, 6, 7, 8, 10, 15
SL38Z	dB1	0653h	400/100	512	T6P-e/A0	ECC	B1	SECC 3.00	1, 6, 7, 8, 10, 15

NOTES:

1. V_{CC_CORE} is specified for 2.8 V +100/-70 mV for all Pentium® II processors.
2. T_{PLATE} is specified for 5 °C – 75 °C for these Pentium II processors with S.E.C. cartridge packages except for s-specs SL28R , SL2HA, SL2MZ, and SL2QC which have a T_{PLATE} specification for 5 °C – 72 °C.
3. This is a boxed Pentium II processor with an attached fan heatsink.
4. V_{CC_CORE} is specified for 2.0 V +100/-70 mV for these Pentium II processors.
5. T_{PLATE} is specified for 5 °C – 65 °C for these Pentium II processors.
6. T_{PLATE} is specified for 5 °C – 75 °C with ETP (extended thermal plate) for these Pentium II processors.
7. Cacheable address space supports up to 4 GB for these Pentium II processors.
8. These processors will not shut down automatically on THERMTRIP#.
9. These boxed processors may have packaging which incorrectly indicates ECC support in the L2 cache.
10. These processors are affected by Erratum A57.
11. T_{PLATE} is specified for 5 °C – 70 °C with ETP (extended thermal plate) for these Pentium II processors.
12. This is a boxed Pentium II OverDrive® with an attached fan heatsink.
13. This TagRAM notation is equivalent to part number 82459AB.
14. This TagRAM notation is equivalent to part number 82459AC.
15. This TagRAM notation is equivalent to part number 82459AD.
16. T_{CASE} (MAX) is specified as 80 °C for these Pentium II processors.
17. These processors are affected by Erratum A67.

NO.	C0	C1	dA0	dA1	dB0	TdB0	dB1	SUB	Plans	ERRATA
A1	X	X	X	X	X	X	X		NoFix	FP Data Operand Pointer may be incorrectly calculated after FP access which wraps 64-Kbyte boundary in 16-bit code
A2	X	X	X	X	X	X	X		NoFix	Differences exist in debug exception reporting
A3	X	X	X	X	X	X	X		NoFix	FLUSH# servicing delayed while waiting for STARTUP_IPI in 2-way MP systems
A4	X	X	X	X	X	X	X		NoFix	Code fetch matching disabled debug register may cause debug exception
A5	X	X	X	X	X	X	X		NoFix	Double ECC error on read may result in BINIT#
A6	X	X	X	X	X	X	X		NoFix	FP inexact-result exception flag may not be set
A7	X	X	X	X	X	X	X		NoFix	BTM for SMI will contain incorrect FROM EIP
A8	X	X	X	X	X	X	X		NoFix	I/O restart in SMM may fail after simultaneous MCE
A9	X	X	X	X	X	X	X		NoFix	Branch traps do not function if BTMs are also enabled
A10	X	X	X	X	X	X	X		NoFix	Checker BIST failure in FRC mode not signaled
A11	X	X	X	X	X	X	X		NoFix	BINIT# assertion causes FRCERR assertion in FRC mode
A12	X	X	X	X	X	X	X		NoFix	Machine check exception handler may not always execute successfully
A13	X	X	X	X	X	X	X		NoFix	MCE due to L2 parity error gives L1 MCACOD.LL
A14	X	X	X	X	X	X	X		NoFix	LBERR may be corrupted after some events
A15	X	X	X	X	X	X	X		NoFix	BTMs may be corrupted during simultaneous L1 cache line replacement
A16	X								Fixed	System may hang due to internal protocol violation
A17	X								Fixed	Livelock condition may cause system hang
A18	X	X							Fixed	Mispredicted branch may cause incorrect tag word on MMX™ technology instructions
A19	X	X							Fixed	Thermal sensor/THERMTRIP# does not work
A20	X	X							Fixed	Spurious machine check exception via IFU data parity error

NO.	C0	C1	dA0	dA1	dB0	TdB0	dB1	SUB	Plans	ERRATA
A21	X	X							Fixed	Loss of inclusion in IFU can cause machine check exception
A22	X	X							Fixed	Possible system hang when paging is disabled and reenabled from uncached memory
A23	X	X							Fixed	L2 performance counters miscount L2_RQSTS
A24	X	X							Fixed	Erroneous signaling of user mode protection violation
A25	X								Fixed	Invalid operation not signaled by the FIST instruction on some out of range operands
A26	X	X							Fixed	FLUSH# assertion disables L2 machine check exception reporting
A27	X	X							Fixed	EFLAGS may be incorrect after a multiprocessor TLB shutdown
A28	X	X	X	X					Fixed	Delayed line invalidation issue during 2-way MP data ownership transfer
A29	X	X	X	X					Fixed	Potential early deassertion of LOCK# during split-lock cycles
A30	X	X	X	X	X	X	X		NoFix	A20M# may be inverted after returning from SMM and Reset
A31	X	X	X	X					Fixed	Reporting of floating-point exception may be delayed
A32	X	X	X	X	X	X	X		Fix	EFLAGS discrepancy on a page fault after a multiprocessor TLB shutdown
A33	X	X	X	X	X	X	X		NoFix	Near CALL to ESP creates unexpected EIP address
A34									Fixed	Deep sleep exit transition may cause hang
A35			X	X					Fixed	Built-in self test always gives nonzero result
A36			X	X					Fixed	THERMTRIP# may not be asserted as specified
A37			X						Fixed	Cache state corruption in the presence of page A/D-bit setting and snoop traffic
A38			X						Fixed	Snoop cycle generates spurious machine check exception
A39	X	X	X	X					Fixed	MOVD/MOVQ instruction writes to memory prematurely
A40	X	X	X	X	X	X	X		NoFix	Memory type undefined for nonmemory operations
A41			X	X	X	X	X		NoFix	Infinite snoop stall during L2 initialization of MP systems

NO.	C0	C1	dA0	dA1	dB0	TdB0	dB1	SUB	Plans	ERRATA
A42	X	X	X	X					Fixed	Bus protocol conflict with optimized chipsets
A43	X	X	X	X	X	X	X		NoFix	FP Data Operand Pointer may not be zero after power on or Reset
A44	X	X	X	X	X	X	X		NoFix	MOVD following zeroing instruction can cause incorrect result
A45	X	X	X	X	X	X	X		NoFix	Premature execution of a load operation prior to exception handler invocation
A46	X	X	X	X	X	X	X		NoFix	Read portion of RMW instruction may execute twice
A47	X	X	X	X	X	X	X		Fix	Test pin must be high during power up
A48	X	X	X	X	X	X	X		NoFix	Intervening writeback may occur during locked transaction
A49	X	X	X	X	X	X	X		NoFix	MC2_STATUS MSR has model-specific error code and machine check architecture error code reversed
A50	X	X	X	X	X	X	X		NoFix	Mixed cacheability of lock variables is problematic in MP systems
A51 ¹	X	X	X	X	X	X	X		NoFix	MOV with debug register causes debug exception
A52 ¹			X	X	X	X	X		NoFix	Upper four PAT entries not usable with Mode B or Mode C paging
A53 ¹	X	X	X	X	X	X	X		Fix	UC write may be reordered around a cacheable write
A54 ¹			X	X					Fixed	Incorrect memory type may be used when MTRRs are disabled
A55 ¹	X	X	X	X	X	X	X		Fix	Misprediction in program flow may cause unexpected instruction execution
A56 ¹			X	X	X	X	X		Fix	System bus ECC may report false errors
A57 ¹	X	X	X	X	X	X			Fixed	Full In-Order Queue may cause infinite DBSY# assertion
A58 ¹	X	X	X	X	X	X	X		NoFix	Data breakpoint exception in a displacement relative near call may corrupt EIP
A59 ¹			X	X	X	X	X		NoFix	System bus ECC not functional with 2:1 ratio
A60 ¹	X	X	X	X	X	X	X		NoFix	Fault on REP CMPS/SCAS operation may cause incorrect EIP
A61 ¹	X	X	X	X	X	X	X		NoFix	RDMSR and WRMSR to invalid MSR may not cause GP fault
A62 ¹	X	X	X	X	X	X	X		NoFix	SYSENTER/SYSEXIT instructions can implicitly load "null segment selector" to SS and CS registers

NO.	C0	C1	dA0	dA1	dB0	TdB0	dB1	SUB	Plans	ERRATA
A63 ¹	X	X	X	X	X	X	X		NoFix	PRELOAD followed by EXTEST does not load boundary scan data
A64 ¹	X	X	X	X	X	X	X		NoFix	Far jump to new TSS with D-bit cleared may cause system hang
A65 ¹	X	X	X	X	X	X	X		Fix	Incorrect chunk ordering may prevent execution of the machine check exception handler after BINIT#
A66 ¹	X	X	X	X	X	X	X		NoFix	Resume Flag may not be cleared after debug exception
A67 ¹	X	X	X	X	X	X	X		NoFix	System bus address parity generator may report false AERR#s
A68 ¹	X	X	X	X	X	X	X		NoFix	Misaligned locked access to APIC space results in hang
A69 ¹	X	X	X	X	X	X	X		NoFix	Potential loss of data coherency during MP data ownership transfer
A1AP	X	X	X	X	X	X	X		NoFix	APIC access to cacheable memory causes SHUTDOWN
A2AP	X	X	X	X	X	X	X		NoFix	2-way MP systems may hang due to catastrophic errors during BSP determination
A3AP	X	X	X	X	X	X	X		NoFix	Write to mask LVT (programmed as EXTINT) will not deassert outstanding interrupt

NOTE:

1. This number needs to be incremented by one when attempting to correlate to a previous revision's numbering scheme where the old numbering nomenclature was used. For example, the existing Pentium® II Erratum A51 is equivalent to the previous Pentium II Erratum 52.

NO.	C0	C1	dA0	dA1	dB0	TdB0	dB1	SUB	Plans	DOCUMENTATION CHANGES
A1	X	X	X	X	X	X	X		Doc	Invalid arithmetic operations and masked responses to them relative to FIST/FISTP instruction
A2	X	X	X	X	X	X	X		Doc	FIDIV/FIDIVR m16int description
A3	X	X	X	X	X	X	X		Doc	PUSH does not pad with zeros
A4	X	X	X	X	X	X	X		Doc	DR7, bit 10 is reserved
A5	X	X	X	X	X	X	X		Doc	Additional states that are not automatically saved and restored
A6	X	X	X	X	X				Doc	S.E.C. cartridge mechanical specification corrections
A7	X	X	X	X	X	X	X		Doc	Cache and TLB description correction
A8	X	X	X	X	X	X	X		Doc	SMRAM state save map contains documentation error

NO.	C0	C1	dA0	dA1	dB0	TdB0	dB1	SUB	Plans	DOCUMENTATION CHANGES
A9	X	X	X	X	X	X	X		Doc	OF and DF of the EFLAGS register are mislabeled as system flags
A10	X	X	X	X	X	X	X		Doc	CS:EIP pushed onto stack prior to code segment limit check
A11	X	X	X	X	X	X	X		Doc	Corrections to opcode maps
A12	X	X	X	X	X	X	X		Doc	MP initialization protocol algorithm correction
A13	X	X	X	X	X	X	X		Doc	Interrupt 13-general protection exception (#GP)
A14	X	X	X	X	X	X	X		Doc	Corrections to <i>Intel Architecture Software Developer's Manual, Volume 2: Instruction Set Reference</i>
A15	X	X	X	X	X	X	X		Doc	MCI_ADDR MSR reference section correction
A16	X	X	X	X	X	X	X		Doc	FCOMI/FCOMP/FUCOMI/FUCOMP setting of flags relative to exceptions
A17	X	X	X	X	X	X	X		Doc	MemTypeGet() function example
A18	X	X	X	X	X	X	X		Doc	RSVD flag correction
A19	X	X	X	X	X	X	X		Doc	SMRAM state save map documentation correction
A20	X	X	X	X	X	X	X		Doc	Stop-Grant state correction
A21	X	X	X	X	X	X	X		Doc	Correction to Stop-Grant state definition

NO.	C0	C1	dA0	dA1	dB0	TdB0	dB1	SUB	Plans	SPECIFICATION CLARIFICATIONS
A1	X	X	X	X	X	X	X		Doc	Writes to WC memory
A2	X	X	X	X	X	X	X		Doc	Multiple processor protocol and restrictions
A3	X	X	X	X	X	X	X		Doc	NMI handling while in SMM
A4	X	X	X	X	X	X	X		Doc	Critical sequence of events during a page fault exception
A5	X	X	X	X	X	X	X		Doc	Performance-monitoring counter issues
A6	X	X	X	X	X	X	X		Doc	POP[ESP] with 16-bit stack size
A7	X	X	X	X	X	X	X		Doc	Preventing caching
A8	X	X	X	X	X	X	X		Doc	Paging must be enabled before enabling the page global bit
A9			X	X	X				Doc	PWRGOOD inactive pulse width
A10	X	X	X	X	X	X	X		Doc	Interrupt recognition determines priority
A11	X	X	X	X	X	X	X		Doc	References to 2-Mbyte pages should include 4-Mbyte pages

NO.	C0	C1	dA0	dA1	dB0	TdB0	dB1	SUB	Plans	SPECIFICATION CLARIFICATIONS
A12	X	X	X	X	X	X	X		Doc	Modification of reserved areas in the SMRAM saved state map
A13	X	X	X	X	X	X	X		Doc	TLB flush necessary after PDPE change
A14	X	X	X	X	X	X	X		Doc	Exception handler wrong code bit clarification
A15	X	X	X	X	X	X	X		Doc	Propagation of page table entry changes to multiple processors
A16	X	X	X	X	X	X	X		Doc	Software initialization requirements for FRC mode
A17	X	X	X	X	X	X	X		Doc	Switching to protected mode while in SMM

NO.	C0	C1	dA0	dA1	dB0	TdB0	dB1	SUB	Plans	SPECIFICATION CHANGES
A1	X	X	X	X	X	X	X		Doc	Mixing steppings in DP systems
A2	X	X	X	X	X	X	X		Doc	System bus timings changes
A3	X	X	X	X	X	X	X		Doc	FRCERR pin removed from specification
A4			X	X	X	X	X		Doc	New footnote for PWRGOOD inactive pulse width
A5	X	X	X	X	X	X	X		Doc	PICCLK rise and fall times
A6	X	X	X	X	X	X	X		Doc	System bus AC specifications (clock)
A7	X	X	X	X	X	X	X		Doc	Thermal design specification
A8	X	X	X	X	X	X	X		Doc	WC buffer eviction data ordering

ERRATA

A1. FP Data Operand Pointer May Be Incorrectly Calculated After FP Access Which Wraps 64-Kbyte Boundary in 16-Bit Code

PROBLEM: The FP Data Operand Pointer is the effective address of the operand associated with the last noncontrol floating-point instruction executed by the machine. If an 80-bit floating-point access (load or store) occurs in a 16-bit mode other than protected mode (in which case the access will produce a segment limit violation), the memory access wraps a 64-Kbyte boundary, and the floating-point environment is subsequently saved, the value contained in the FP Data Operand Pointer may be incorrect.

IMPLICATION: A 32-bit operating system running 16-bit floating-point code may encounter this erratum, under the following conditions:

- The operating system is using a segment greater than 64 Kbytes in size.
- An application is running in a 16-bit mode other than protected mode.
- An 80-bit floating-point load or store which wraps the 64-Kbyte boundary is executed.
- The operating system performs a floating-point environment store (FSAVE/FNSAVE/FASTENV/FNSTENV) after the above memory access.
- The operating system uses the value contained in the FP Data Operand Pointer.

Wrapping an 80-bit floating-point load around a segment boundary in this way is not a normal programming practice. Intel has not currently identified any software which exhibits this behavior.

WORKAROUND: If the FP Data Operand Pointer is used in an OS which may run 16-bit floating-point code, care must be taken to ensure that no 80-bit floating-point accesses are wrapped around a 64-Kbyte boundary.

STATUS: For the steppings affected see the Summary Table of Changes at the beginning of this section.

A2. Differences Exist in Debug Exception Reporting

PROBLEM: There exist some differences in the reporting of code and data breakpoint matches between that specified by previous Intel processors' specifications and the behavior of the Pentium II processor, as described below:

CASE 1:

The first case is for a breakpoint set on a MOVSS or POPSS instruction, when the instruction following it causes a debug register protection fault (DR7.gd is already set, enabling the fault). The processor reports delayed data breakpoint matches from the MOVSS or POPSS instructions by setting the matching DR6.bi bits, along with the debug register protection fault (DR6.bd). If additional breakpoint faults are matched during the call of the debug fault handler, the processor sets the breakpoint match bits (DR6.bi) to reflect the breakpoints matched by both the MOVSS or POPSS breakpoint and the debug fault handler call. The Pentium II processor only sets DR6.bd in either situation, and does not set any of the DR6.bi bits.

CASE 2:

In the second breakpoint reporting failure case, if a MOVSS or POPSS instruction with a data breakpoint is followed by a store to memory which crosses a 4-Kbyte page boundary, the breakpoint information for the MOVSS or POPSS will be lost. Previous processors retain this information across such a page split.

CASE 3:

If they occur after a MOVSS or POPSS instruction, the INT n , INTO, and INT3 instructions zero the DR6.Bi bits (bits B0 through B3), clearing pending breakpoint information, unlike previous processors.

CASE 4:

If a data breakpoint and an SMI (System Management Interrupt) occur simultaneously, the SMI will be serviced via a call to the SMM handler, and the pending breakpoint will be lost.

CASE 5:

When an instruction which accesses a debug register is executed, and a breakpoint is encountered on the instruction, the breakpoint is reported twice.

IMPLICATION: When debugging or when developing debuggers for a Pentium II processor-based system, this behavior should be noted. Normal usage of the MOVSS or POPSS instructions (i.e., following them with a MOV ESP) will not exhibit the behavior of cases 1-3. Debugging in conjunction with SMM will be limited by case 4.

WORKAROUND: Following MOVSS and POPSS instructions with a MOV ESP instruction when using breakpoints will avoid the first three cases of this erratum. No workaround has been identified for cases 4 or 5.

STATUS: For the steppings affected see the Summary Table of Changes at the beginning of this section.

A3. *FLUSH# Servicing Delayed While Waiting for STARTUP_IPI in 2-way MP Systems*

PROBLEM: In a 2-way MP system, if an application processor is waiting for a startup inter-processor interrupt (STARTUP_IPI), then it will not service a FLUSH# pin assertion until it has received the STARTUP_IPI.

IMPLICATION: After the 2-way MP initialization protocol, only one processor becomes the bootstrap processor (BSP). The other processor becomes a slave application processor (AP). After losing the BSP arbitration, the AP goes into a wait loop, waiting for a STARTUP_IPI.

The BSP can wake up the AP to perform some tasks with a STARTUP_IPI, and then put it back to sleep with an initialization inter-processor interrupt (INIT_IPI, which has the same effect as asserting INIT#), which returns it to a wait loop. The result is a possible loss of cache coherency if the off-line processor is intended to service a FLUSH# assertion at this point. The FLUSH# will be serviced as soon as the processor is awakened by a STARTUP_IPI, before any other instructions are executed. Intel has not encountered any operating systems that are affected by this erratum.

WORKAROUND: Operating system developers should take care to execute a WBINVD instruction before the AP is taken off-line using an INIT_IPI.

STATUS: For the steppings affected see the Summary Table of Changes at the beginning of this section.

A4. *Code Fetch Matching Disabled Debug Register May Cause Debug Exception*

PROBLEM: The bits L0-3 and G0-3 enable breakpoints local to a task and global to all tasks, respectively. If one of these bits is set, a breakpoint is enabled, corresponding to the addresses in the debug registers DR0-DR3. If at least one of these breakpoints is enabled, any of these registers are *disabled* (i.e., L_n and G_n are 0), and RW_n for the disabled register is 00 (indicating a breakpoint on instruction execution), normally an instruction fetch will not cause an instruction-breakpoint fault based on a match with the address in the disabled register(s). However,

if the address in a disabled register matches the address of a code fetch which also results in a page fault, an instruction-breakpoint fault will occur.

IMPLICATION: While debugging software, extraneous instruction-breakpoint faults may be encountered if breakpoint registers are not cleared when they are disabled. Debug software which does not implement a code breakpoint handler will fail, if this occurs. If a handler is present, the fault will be serviced. Mixing data and code may exacerbate this problem by allowing disabled data breakpoint registers to break on an instruction fetch.

WORKAROUND: The debug handler should clear breakpoint registers before they become disabled.

STATUS: For the steppings affected see the Summary Table of Changes at the beginning of this section.

A5. Double ECC Error on Read May Result in BINIT#

PROBLEM: For this erratum to occur, the following conditions must be met:

- Machine Check Exceptions (MCEs) must be enabled.
- A dataless transaction (such as a write invalidate) must be occurring simultaneously with a transaction which returns data (a normal read).
- The read data must contain a double-bit uncorrectable ECC error.

If these conditions are met, the Pentium II processor will not be able to determine which transaction was erroneous, and instead of generating an MCE, it will generate a BINIT#.

IMPLICATION: The bus will be reinitialized in this case. However, since a double-bit uncorrectable ECC error occurred on the read, the MCE handler (which is normally reached on a double-bit uncorrectable ECC error for a read) would most likely cause the same BINIT# event.

WORKAROUND: Though the ability to drive BINIT# can be disabled in the Pentium II processor, which would prevent the effects of this erratum, overall system behavior would not improve, since the error which would normally cause a BINIT# would instead cause the machine to shut down. No other workaround has been identified.

STATUS: For the steppings affected see the Summary Table of Changes at the beginning of this section.

A6. FP Inexact-Result Exception Flag May Not Be Set

PROBLEM: When the result of a floating-point operation is not exactly representable in the destination format (1/3 in binary form, for example), an inexact-result (precision) exception occurs. When this occurs, the PE bit (bit 5 of the FPU status word) is normally set by the processor. Under certain rare conditions, this bit may not be set when this rounding occurs. However, other actions taken by the processor (invoking the software exception handler if the exception is unmasked) are not affected. This erratum can only occur if the floating-point operation which causes the precision exception is immediately followed by one of the following instructions:

- FST m32real
- FST m64real
- FSTP m32real
- FSTP m64real
- FSTP m80real
- FIST m16int
- FIST m32int

- FISTP m16int
- FISTP m32int
- FISTP m64int

Note that even if this combination of instructions is encountered, there is also a dependency on the internal pipelining and execution state of both instructions in the processor.

IMPLICATION: Inexact-result exceptions are commonly masked or ignored by applications, as it happens frequently, and produces a rounded result acceptable to most applications. The PE bit of the FPU status word may not always be set upon receiving an inexact-result exception. Thus, if these exceptions are unmasked, a floating-point error exception handler may not recognize that a precision exception occurred. Note that this is a “sticky” bit, i.e., once set by an inexact-result condition, it remains set until cleared by software.

WORKAROUND: This condition can be avoided by inserting two NOP instructions between the two floating-point instructions.

STATUS: For the steppings affected see the Summary Table of Changes at the beginning of this section.

A7. BTM for SMI Will Contain Incorrect FROM EIP

PROBLEM: A system management interrupt (SMI) will produce a Branch Trace Message (BTM), if BTMs are enabled. However, the FROM EIP field of the BTM (used to determine the address of the instruction which was being executed when the SMI was serviced) will not have been updated for the SMI, so the field will report the same FROM EIP as the previous BTM.

IMPLICATION: A BTM which is issued for an SMI will not contain the correct FROM EIP, limiting the usefulness of BTMs for debugging software in conjunction with System Management Mode (SMM).

WORKAROUND: None identified at this time.

STATUS: For the steppings affected see the Summary Table of Changes at the beginning of this section.

A8. I/O Restart in SMM May Fail After Simultaneous MCE

PROBLEM: If an I/O instruction (IN, INS, REP INS, OUT, OUTS, or REP OUTS) is being executed, and if the data for this instruction becomes corrupted, the Pentium II processor will signal a machine check exception (MCE). If the instruction is directed at a device which is powered down, the processor may also receive an assertion of SMI#. Since MCEs have higher priority, the processor will call the MCE handler, and the SMI# assertion will remain pending. However, upon attempting to execute the first instruction of the MCE handler, the SMI# will be recognized and the processor will attempt to execute the SMM handler. If the SMM handler is completed successfully, it will attempt to restart the I/O instruction, but will not have the correct machine state, due to the call to the MCE handler.

IMPLICATION: A simultaneous MCE and SMI# assertion may occur for one of the I/O instructions above. The SMM handler may attempt to restart such an I/O instruction, but will have corrupted state due to the MCE handler call, leading to failure of the restart and shutdown of the processor.

WORKAROUND: If a system implementation must support both SMM and MCEs, the first thing the SMM handler code (when an I/O restart is to be performed) should do is check for a pending MCE. If there is an MCE pending, the SMM handler should immediately exit via an RSM instruction and allow the machine check exception handler to execute. If there is not, the SMM handler may proceed with its normal operation.

STATUS: For the steppings affected see the Summary Table of Changes at the beginning of this section.

A9. Branch Traps Do Not Function If BTMs Are Also Enabled

PROBLEM: If branch traps or branch trace messages (BTMs) are enabled alone, both function as expected. However, if both are enabled, only the BTMs will function, and the branch traps will be ignored.

IMPLICATION: The branch traps and branch trace message debugging features cannot be used together.

WORKAROUND: If branch trap functionality is desired, BTMs must be disabled.

STATUS: For the steppings affected see the Summary Table of Changes at the beginning of this section.

A10. Checker BIST Failure in FRC Mode Not Signaled

PROBLEM: If a system is running in functional redundancy checking (FRC) mode, and the checker of the master-checker pair encounters a hard failure while running the built-in self test (BIST), the checker will tri-state all outputs without signaling an IERR#.

IMPLICATION: Assuming the master passes BIST successfully, it will continue execution unchecked, operating without functional redundancy. However, the necessary pull-up on the FRCERR pin will cause an FRCERR to be signaled. The operation of the master depends on the implementation of FRCERR.

WORKAROUND: For successful detection of BIST failure in the checker of an FRC pair, use the FRCERR signal, instead of IERR#.

STATUS: For the steppings affected see the Summary Table of Changes at the beginning of this section.

A11. BINIT# Assertion Causes FRCERR Assertion in FRC Mode

PROBLEM: If a pair of Pentium II processors are running in functional redundancy checking (FRC) mode, and a catastrophic error condition causes BINIT# to be asserted, the checker in the master-checker pair will enter shutdown. The next bus transaction from the master will then result in the assertion of FRCERR.

IMPLICATION: Bus initialization via an assertion of BINIT# occurs as the result of a catastrophic error condition which precludes the continuing reliable execution of the system. Under normal circumstances, the master-checker pair would remain synchronized in the execution of the BINIT# handler. However, due to this erratum, an FRCERR will be signaled. System behavior then depends on the system specific error recovery mechanisms.

WORKAROUND: None identified at this time.

STATUS: For the steppings affected see the Summary Table of Changes at the beginning of this section.

A12. Machine Check Exception Handler May Not Always Execute Successfully

PROBLEM: An asynchronous machine check exception (MCE), such as a BINIT# event, which occurs during an access that splits a 4-Kbyte page boundary may leave some internal registers in an indeterminate state. Thus, MCE handler code may not always run successfully if an asynchronous MCE has occurred previously.

IMPLICATION: An MCE may not always result in the successful execution of the MCE handler. However, asynchronous MCEs usually occur upon detection of a catastrophic system condition that would also hang the processor. Leaving MCEs disabled will result in the condition which caused the asynchronous MCE instead causing the processor to enter shutdown. Therefore, leaving MCEs disabled may not improve overall system behavior.

WORKAROUND: No workaround which would guarantee successful MCE handler execution under this condition has been identified.

STATUS: For the steppings affected see the Summary Table of Changes at the beginning of this section.

A13. MCE Due to L2 Parity Error Gives L1 MCACOD.LL

PROBLEM: If a Cache Reply Parity (CRP) error, Cache Address Parity (CAP) error, or Cache Synchronous Error (CSER) occurs on an access to the Pentium II processor's L2 cache, the resulting Machine Check Architectural Error Code (MCACOD) will be logged with '01' in the LL field. This value indicates an L1 cache error; the value should be '10', indicating an L2 cache error. Note that L2 ECC errors have the correct value of '10' logged.

IMPLICATION: An L2 cache access error, other than an ECC error, will be improperly logged as an L1 cache error in MCACOD.LL.

WORKAROUND: None identified at this time.

STATUS: For the steppings affected see the Summary Table of Changes at the beginning of this section.

A14. LBER May Be Corrupted After Some Events

PROBLEM: The last branch record (LBR) and the last branch before exception record (LBER) can be used to determine the source and destination information for previous branches or exceptions. The LBR contains the source and destination addresses for the last branch or exception, and the LBER contains similar information for the last branch taken before the last exception. This information is typically used to determine the location of a branch which leads to execution of code which causes an exception. However, after a catastrophic bus condition which results in an assertion of BINIT# and the re-initialization of the buses, the value in the LBER may be corrupted. Also, after either a CALL which results in a fault or a software interrupt, the LBER and LBR will be updated to the same value, when the LBER should not have been updated.

IMPLICATION: The LBER and LBR registers are used only for debugging purposes. When this erratum occurs, the LBER will not contain reliable address information. The value of LBER should be used with caution when debugging branching code; if the values in the LBR and LBER are the same, then the LBER value is incorrect. Also, the value in the LBER should not be relied upon after a BINIT# event.

WORKAROUND: None identified at this time.

STATUS: For the steppings affected see the Summary Table of Changes at the beginning of this section.

A15. BTMs May Be Corrupted During Simultaneous L1 Cache Line Replacement

PROBLEM: When Branch Trace Messages (BTMs) are enabled and such a message is generated, the BTM may be corrupted when issued to the bus by the L1 cache if a new line of data is brought into the L1 data cache simultaneously. Though the new line being stored in the L1 cache is stored correctly, and no corruption occurs in the data, the information in the BTM may be incorrect due to the internal collision of the data line and the BTM.

IMPLICATION: Although BTMs may not be entirely reliable due to this erratum, the conditions necessary for this boundary condition to occur have only been exhibited during focused simulation testing. Intel has currently not observed this erratum in a system level validation environment.

WORKAROUND: None identified at this time.

STATUS: For the steppings affected see the Summary Table of Changes at the beginning of this section.

A16. System May Hang Due To Internal Protocol Violation

PROBLEM: Pentium II processor-based systems may hang due to an internal protocol violation. When a snooperable transaction is issued on the bus and the cache line being accessed is in the modified state, the processor must deliver to the system bus an updated copy of the cache line. When the processor attempts to deliver the most up to date copy via an implicit writeback, the data transfer transaction fails and the DBSY# signal remains asserted until the next RESET#. This causes the system to hang indefinitely. In order to encounter this erratum, the following sequence of events must occur:

1. A snooperable transaction (transaction 1) is issued on the system bus. The processor contains in its L1 and/or L2 caches the data for this line in the modified state.
2. Another snooperable transaction (transaction 2) is issued and the processor contains this line only in its L2 cache in the modified state. Both of these transactions can be issued by either the chipset, by the processor (in which case they are of the self-snooper type), by another processor (2-way MP systems), or any combination thereof.
3. A nonsnooperable transaction is then issued (transaction 3) for which address bits A15-A5 are the same as those in transaction 2.
4. Transaction 3 is followed by a snooperable transaction (transaction 4).
5. The completion of the data transfer phase of transaction 1 must line up with the snooper response phase of transaction 3. This data transfer phase of transaction 1 must occur after the ADS# of transaction 4 and line up with the completion of an internal cache transaction.
6. The internal cache transaction must miss the L2 targeting a line for eviction, but the internal cache transaction must be such that it has to be retried.

The result of this sequence of transactions causes the processor bus to lock up after delivering the data for transaction 1, but prior to delivering the data for transaction 2. Since this data is never delivered, DBSY# does not deassert and the system hangs.

IMPLICATION: The Pentium II processor may cause a system to hang if the above listed sequence of events occurs. This sequence is a necessary condition to hit the erratum, but multiple variations of this sequence which also cause this erratum are also possible. The probability of encountering this erratum increases with I/O queue depth greater than 4 and in 2-way MP systems.

WORKAROUND: None identified at this time.

STATUS: For the steppings affected see the Summary Table of Changes at the beginning of this section.

A17. Livelock Condition May Cause System Hang

PROBLEM: A "livelock" situation could occur in 2-way MP Pentium II processor-based systems, when IOQ depth is set to 1, with a failure signature such that a processor arbitrates for the system bus but fails to drive out a transaction when it gains ownership of the bus. The processor then relinquishes bus ownership to another requester, but on re-arbitration performs the same repetitive actions. This course of action continues until RESET# is asserted. The failure signature in 2-way MP systems is such that both processors require execution of an explicit writeback cycle and both processors request the bus for this transaction. However, when the time comes to drive out the writeback transaction, the internal request has been suspended due to an internal blocking condition. After the internal blocking condition has gone away the original writeback request is

reasserted. However, by the time bus ownership has been regained, the blocking condition has recurred, thus suppressing the writeback request before the transaction can be driven out to the system bus.

The writeback which is waiting to go out on the system bus must be issued before the internal blocking condition can be removed. But the writeback can never be issued because of the recurring blocking condition. This causes an “infinite loop” situation to develop, and the processor essentially stops executing code.

IMPLICATION: This erratum was observed to occur when both processors are configured for IOQ depth = 1 in Intel commercial system testing.

WORKAROUND: None identified at this time.

STATUS: For the steppings affected see the Summary Table of Changes at the beginning of this section.

A18. Mispredicted Branch May Cause Incorrect Tag Word on MMX™ Technology Instructions

PROBLEM: After any MMX™ technology instruction is executed, all of the FPU stack registers should be marked valid in the FPU tag word. If one or more of the first three instructions of a mispredicted branch are MMX technology instructions of the form “opcode reg, mem” not including MOVD and MOVQ, the FPU tag word is incorrectly modified. Some of the tag word bits may remain invalid. This tag word will remain incorrect until one of two events occur:

1. Any MMX™ technology instruction is executed four or more instructions after the branch target, or
2. An MMX technology instruction of the following type is executed:
 - Any MMX technology instruction of the form “opcode reg, reg”
 - MOVD
 - MOVQ
 - EMMS

The following are examples of code that will encounter this erratum.

Example 1:

```

EMMS
...
Jcc    target          ; mispredicted as not taken
...
target:
PADDW  mm0, [edi]     ; Is an “reg, mem” format instruction
FSTENV env

```

In this example, the tag word stored in memory by FSTENV will be incorrect.

Example 2:

```

EMMS
...
Jcc    target          ; mispredicted as not taken

```

```

...
target:
    PADDW mm0, [edi]
    FUCOMPP                ; depends on tag word, also violates coding guideline against mixing
                          ; floating-point and MMX™ technology instructions
    FWAIT
  
```

In this example, the FUCOMPP instruction will cause a Numeric Invalid Operation Exception if the FPU stack fault exception is unmasked.

IMPLICATION: When writing code that mixes FP and MMX technology instructions where the target of a branch is an MMX technology instruction with a memory operand, the FPU tag word may be incorrect. Software that expects the FP stack register to be set to valid after an MMX technology instruction and utilizes this information may be affected.

If floating-point instructions are intermixed, the floating-point instructions may raise the floating-point stack exception. If this exception is unmasked, the application will receive an unexpected numeric exception. The result is application dependent. If the floating-point stack exception is masked, the floating-point instruction will compute with a indefinite operand instead of the register contents. In either case the result is application dependent. Applications that follow the Intel MMX Technology Coding Guidelines against intermixing floating-point and MMX technology code are not affected by this erratum.

If the floating-point tag word is saved immediately after an affected MMX technology instruction, an erroneous value will be stored. Program behavior is application dependent. This may also cause debuggers to temporarily display incorrect tag word contents.

WORKAROUND: All of the following must be applied to work around this erratum:

- Follow the Intel MMX™ technology guidelines in the *Intel Architecture Optimization Manual* for writing MMX technology programs. Specifically, do not intermix MMX technology instructions and floating-point instructions on a per instruction basis.
- If it is possible that some of the tag word bits may be invalid prior to a branch, avoid using MMX technology instructions of the form “opcode reg, mem”, except MOVD, MOVQ, within the first three instructions at the target of a branch.
- Use the FSAVE instruction to save all floating-point stack registers if at least one of the registers is valid during a context switch.
- Before a transition from MMX technology code to floating-point code that does not meet the Intel MMX technology guidelines in the *Intel Architecture Optimization Manual*, execute a nonsusceptible MMX technology instruction such as MOVD eax, mm0.
- Floating-point instructions should not depend on MMX technology instructions to set the tag word bits to valid.

STATUS: For the steppings affected see the Summary Table of Changes at the beginning of this section.

A19. Thermal Sensor/THERMTRIP# Does Not Work

PROBLEM: THERMTRIP# is a feature of the Pentium II processor which asserts when the core reaches a certain temperature during operation as specified in the *Pentium® II Processor at 233 MHz, 266 MHz, 300 MHz, and 333 MHz* datasheet. The Pentium II processor may assert THERMTRIP# at a temperature lower or higher than the specified trippoint of 135 °C for T_{JUNCTION}. When THERMTRIP# is asserted, the processor may shut down causing all execution to be halted.

IMPLICATION: When running the Pentium II processor, the Pentium II processor core may reach a temperature causing the processor to assert THERMTRIP# early. Once THERMTRIP# has been asserted, the processor may shut down due to this erratum. All execution after the SHUTDOWN will be halted. This erratum is only exhibited when T_{PLATE} is above the Maximum Specification of 75 °C (see the *Pentium® II Processor at 233 MHz, 266 MHz, 300 MHz, and 333 MHz* datasheet (Order Number 243335) for details on specifications).

WORKAROUND: Avoid operation of the Pentium II processor outside of thermal specifications defined by the *Pentium® II Processor at 233 MHz, 266 MHz, 300 MHz, and 333 MHz* datasheet. Do not monitor the THERMTRIP# pin (pin A15).

STATUS: For the steppings affected see the Summary Table of Changes at the beginning of this section.

A20. Spurious Machine Check Exception Via IFU Data Parity Error

PROBLEM: The Pentium II processor can signal an unrecoverable Machine Check Exception (MCE) in the event that the Instruction Fetch Unit (IFU) detects a mismatch when verifying instruction parity. The execution of code which modifies the current instruction sequence that may already be fetched into the processor can cause an instruction at a given address to appear differently depending on when it was fetched in time relative to its being modified. Thus, a speculatively prefetched instruction may have been modified such that it now differs from the copy of the same instruction resident in the instruction cache. This discrepancy (of one copy located in the speculative prefetch portion, and a different copy in the instruction cache) is sensed by the IFU. When the IFU detects that the instruction stream has been modified, it flushes the pipeline and attempts to restart the instruction stream. In the interim, the IFU recognizes the disparate instructions described above, and signals a data parity error. The data parity error is signaled as an MCE before the instruction stream has had a chance to restart. This MCE will cause an operating system that has enabled MCE to shut down. No incorrect code is executed by the processor in this situation (even if MCE is disabled). Note that this erratum occurs under a specific set of address dependencies and timing events.

IMPLICATION: Executing such a sequence by modifying code without proper synchronization may not always result in predictable program behavior. The processor's signaling of an MCE due to a data parity error in the IFU may then result in an unexpected system halt if the above conditions are met and MCEs are enabled.

WORKAROUND: It is possible for BIOS code to contain a workaround for this erratum.

STATUS: For the steppings affected see the Summary Table of Changes at the beginning of this section.

A21. Loss of Inclusion In IFU Can Cause Machine Check Exception

PROBLEM: The Pentium II processor can signal an unrecoverable Machine Check Exception (MCE) as a consistency checking mechanism in the event that the Instruction Fetch Unit (IFU) detects differences in the consistency of code in instruction streaming buffers against code resident in the instruction cache, i.e., a loss of inclusion. When application code makes an operating system call, the processor transitions execution privilege levels. If the code for the OS call is not already resident in the level 1 cache, then the processor may prefetch code while identifying a cache line(s) for eventual eviction to make space for the new code. Upon return from the OS call, the processor continues execution of application code at the user level. The processor, due to deep speculation and branch prediction, may attempt to execute instructions from the previously prefetched kernel code starting by attempting to replace the victim line with kernel code in a buffer internal to the IFU. The IFU detects that the current application is insufficiently privileged to execute the kernel code and so, suppresses the eviction of the previously selected victim line. Despite having detected this condition, the IFU does replace this victim line with the kernel line. If the processor now attempts to restart execution of the current application code by refetching the original victim line it no longer finds it in the instruction cache. The IFU detects this loss of inclusion, and signals this by generating a MCE. If MCEs are enabled, this event can cause an operating system to shutdown. Note that this erratum occurs under a specific set of address dependencies and timing events.

IMPLICATION: The occurrence of all the conditions above can lead the IFU to signal a loss of inclusion by generating an MCE. If MCEs are enabled in the system, then the operating system may shut down upon noticing the MCE resulting in system failure. If MCEs are disabled, then unpredictable application behavior is theoretically possible, although current validation has shown execution to continue normally.

WORKAROUND: It is possible for BIOS code to contain a workaround for this erratum.

STATUS: For the steppings affected see the Summary Table of Changes at the beginning of this section.

A22. Possible System Hang When Paging Is Disabled and Reenabled from Uncached Memory

PROBLEM: If paging is disabled via the PG bit of CR0 and then later reenabled while executing code from a page marked uncachable by its Page Table Entry (PCD=1) but located in memory mapped as Write Back or Write Through by the processor MTRRs, the processor could internally enter a state resulting in a system hang.

IMPLICATION: Operating systems that enable and disable paging with the above described memory configurations could hang. Intel has not observed this erratum to date in laboratory testing of commercially available operating systems and applications.

WORKAROUND: It is possible for BIOS code to contain a workaround for this erratum.

STATUS: For the steppings affected see the Summary Table of Changes at the beginning of this section.

A23. L2 Performance Counters Miscalculate L2_RQSTS

PROBLEM: L2_RQSTS is a performance counter that counts the number of L2 cache access requests. This counter increments for each incoming L2 cache request. In some cases, an L2 request cannot be serviced by the L2 Cache. This request is then retried at a later time when the request can be serviced by the L2 cache. When this happens, the L2_RQSTS counter counts the initial L2 cache request *and* the retried L2 cache request, thereby counting the same request twice.

IMPLICATION: The L2_RQSTS counter may contain a larger erroneous number of L2 cache requests due to this erratum. This erratum does not affect functionality of the Pentium II processor. This erratum only affects the performance counter specified.

WORKAROUND: None identified at this time.

STATUS: For the steppings affected see the Summary Table of Changes at the beginning of this section.

A24. Erroneous Signaling of User Mode Protection Violation

PROBLEM: If the Pentium II processor attempts to access a page in physical memory marked not present (Present bit clear), a page fault exception (#PF) is generated. Before proceeding, there is a narrow internal timing window where the processor verifies that no other higher priority fault conditions are present. During this time, it is possible for another agent to allocate a new page directory or page table entry (PDE/PTE) corresponding to the same linear address of the original access, writing new values into the PDE/PTE with the Access bit (A-bit) or the Dirty bit (D-bit) cleared. When the original processor completes its checking for other fault conditions, and re-examines the A/D bit of the recently modified PDE/PTE, it finds that it has been cleared. Internal hardware correctly signals this scenario as a condition to which the processor should respond by setting the A/D bit, but erroneously reports it as a generic paging protection violation. Instead of attempting to set the appropriate A/D bit, this event is reported as an Int14 with exception code 0x05, i.e., user mode protection violation.

IMPLICATION: The occurrence of this scenario will result in the erroneous signaling of a user mode protection violation instead of a page fault and may result in application termination depending on operating system behavior in response to a user mode protection violation. Intel has only observed this erratum to date in laboratory testing of multi-processor systems.

WORKAROUND: Operating systems which allocate new PTEs and PDEs should set the Access bit (A-bit) and Dirty bit (D-bit) to workaround this erratum. Alternatively, an operating system's Int14 handler can determine if a protection violation condition truly exists, and if none is found, return without further action.

STATUS: For the steppings affected see the Summary Table of Changes at the beginning of this section.

A25. Invalid Operation Not Signaled by the FIST Instruction on Some Out of Range Operands

PROBLEM: On certain, large, negative, floating-point operands, and only in three of the four possible processor rounding modes, the instructions FIST[P] m16int and FIST[P] m32int do not detect that the operand is so large that it will not fit into the target data size. As a consequence, the expected Invalid Operation exception response for this situation is not correctly provided, nor is the Invalid Operation flag set in the Floating Point status word as specified in the *Intel Architecture Software Developer's Manual, Volume 2: Instruction Set Reference*. Under the failing conditions, noted below, the precision exception (#PE) flag will also be incorrectly set.

The erratum occurs only when all of the following conditions are met:

1. The FIST[P] instruction is either a 16- or 32-bit operation; 64-bit operations are unaffected.
2. Either the 'to nearest', 'to zero' or 'up' rounding modes are being used. The round 'down' mode is unaffected by this erratum.
3. The sign bit of the floating-point operand is negative.
4. The floating-point operand being converted is significantly more negative than can be described by the integer size being targeted.

ACTUAL vs. EXPECTED RESPONSE

A. Actual Response

When the required conditions are encountered, the processor provides the following response:

- Return the MAXNEG value (8000h for FIST16 & 80000000h for FIST32) to memory.
- The IE (Invalid Operation) bit in the Floating Point status word is *not set* to flag the use of an invalid operand.
- The PE (precision error) bit in the Floating Point status word is *set*.
- No exception handler is invoked.
- In the case of a FISTP instruction the Operand will have been popped from the floating-point stack.

B. Expected Response

The expected processor response when the invalid operation exception is *masked* is:

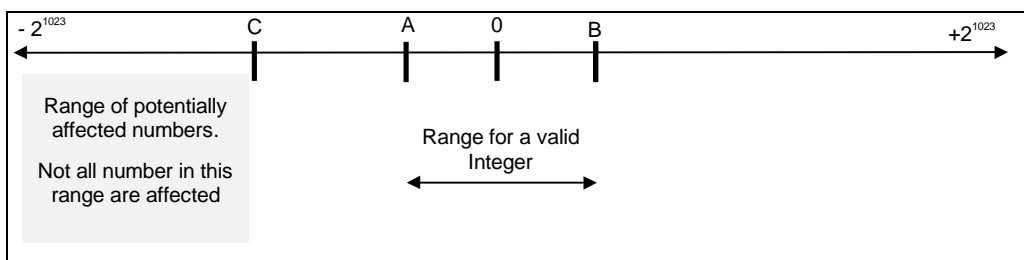
- Return the MAXNEG value (8000h for FIST16 & 80000000h for FIST32) to memory.
- The IE (Invalid Operation) bit in the Floating Point status word is *set* to flag the overflow.
- The PE (precision error) bit in the Floating Point status word is *not set*.

PENTIUM® II PROCESSOR SPECIFICATION UPDATE

The expected processor response when the invalid operation exception is *unmasked* is:

- Do not return a result to memory. Keep the original operand intact on the stack.
- The IE (Invalid Operation) bit in the Floating Point status word is *set* to flag the overflow.
- The PE (precision error) bit in the Floating Point status word is *not set*.
- Vector to the user numeric exception handler.

IMPLICATION: Erroneous operation results when the operand is so large that it will not fit into the target data size. The operands affected by this erratum are significantly outside (by a factor of 3X) the range that can be, correctly, converted to an integer value. The figure below and corresponding table identifies the normal range of integer numbers (between A and B) and the starting point of the operands affected by this erratum. Discrete failing operands will be present in the range between point C and the maximum negative number that can be represented by the processor (-2^{1023} in double precision format). Note 2 below gives a qualitative description of the nature of the discrete failing values. Software that does not rely on the Invalid Operation exception flag being set and signaled by either an exception OR by software polling is not impacted by this erratum.



16-bit Operation	A	B	C
	-32,768.0	+32,767.0	< -98304.0
32-bit Operation	A	B	C
	-2,147,483,648.0	+2,147,483,647.0	< -6,442,450,944.0

WORKAROUND: Any of two software workarounds will avoid occurrence of this erratum:

1. Range checking performed prior to execution of the FIST[P] instruction will prevent the overflow condition from occurring, and may already be implemented as a coding style.
2. Software can use the presence of MAXNEG in the result integer to indicate that an out of range conversion may have occurred.

Note 1: A possible alternative is to use the FIST64 instruction to store the converted operand to memory and access the lower 16 or 32 bits as the required integer. Even though this mechanism will not signal an attempted out of range conversion with a 16 bit or 32 bit target, it is currently in use by many compilers today.

Note 2: The values affected by this erratum are those which contain an exponent value within the affected range, AND a specific bit pattern at a specific offset within the mantissa, AND at least one nonzero bit to the right of the above bit pattern. The offset within the mantissa is a function of the floating-point exponent value. The specific bit pattern is 0x8000 for FIST16 and 0x80000000 for FIST32. This means that for any given exponent within the range, one mantissa value in every 2^{16} possible mantissa values exhibits the erratum for FIST16, and one mantissa value in every 2^{32} possible mantissa values exhibits the erratum for FIST32.

executed. DTLB eviction will require at least three load operations that have linear address bits 15:12 equal to each other and address bits 31:16 different from each other in close physical proximity to the arithmetic operation. If, in the very small window of time between the page eviction and the store execution, the page table entry has had its page permissions tightened (e.g., from Present to Not Present, or from Read/Write to Read Only, etc.) by the operating system, in main memory by another processor (with no corresponding synchronization and subsequent TLB flush), the store will generate a DTLB miss and a call to the OS's page fault handler. The EFLAGS register may have already been updated by the arithmetic portion of the instruction before entry to the page fault handler. If under these circumstances the fault handler elects to restart the instruction, the re-execution may generate an incorrect result. Instructions affected by this erratum are the memory destination forms of ADC, SBB, RCR & RCL (instructions that use a flag, carry, as input to the instruction). It should be noted that the locked version of these instructions is not impacted by this erratum.

IMPLICATION: This scenario can only occur in a multiprocessor system running under an operating system that implements a "lazy" TLB shutdown. Lazy TLB shutdown occurs when one processor makes changes to the page tables in memory, and then signals other processors to remove the page entry from their TLB without a multiprocessor synchronization being performed. To date, Intel has not observed this erratum in any laboratory testing of commercially available software applications.

In a multiprocessor system the arithmetic flags of the EFLAGS register and its memory stack image, may contain incorrect data if the read-modify-write arithmetic instruction encounters a page fault. Page Fault handler software that uses the resulting EFLAGS may see incorrect information. If the original instruction is restarted by the page fault handler, the instruction may produce incorrect results based on the prior modifications of the EFLAGS register.

WORKAROUND: Software may use the locked form of the ADC, SBB, RCR & RCL instructions to avoid this erratum. Operating systems should ensure that no processor is currently accessing a page that is scheduled to have its page permissions tightened, e.g., moved from Present to Not Present or have a page fault handler that can handle any incorrect state. Intel is working with Multiprocessor Operating System vendors to ensure that an OS level workaround is implemented as required.

STATUS: For the steppings affected see the Summary Table of Changes at the beginning of this section.

A28. Delayed Line Invalidation Issue During 2-Way MP Data Ownership Transfer

PROBLEM: In 2-way MP systems, each processor may attempt to modify a different portion of the same cache line, referenced as line 'A' in the discussion below. When this erratum occurs (with the following example given for a 2-way MP system with processors noted as 'P0' and 'P1'), each processor contains a shared copy of line A in both their L1 and L2 caches. Each processor must issue an invalidation cycle before that processor can definitively source the results of its internal write to a portion of line A to the other processors.

There exists a narrow timing window when, if P0 wins the external bus invalidation race and gains ownership rights to line A due to the sequence of bus invalidation traffic, P1 may not have completed the pending invalidation of its own, currently valid and shared copy of line A. During this window, it is possible for a P1 internal opportunistic write to a portion of line A (while awaiting ownership rights) to occur with the original shared copy of line A still resident in P1's L2 cache. Such internal modification is permissible subject to delaying the broadcast of such changes until line ownership has actually been gained. However, the processor must ensure that any internal re-read by P1 of line A returns with data in the order actually written; in this case, this should be the data written by P0. In the case of this erratum, the internal re-read uses the data which was written by P1.

IMPLICATION: Multiprocessor or threaded application synchronization that is implemented via operating system-provided synchronization constructs are not affected by this erratum. Applications which rely upon the usage of locked semaphores rather than memory ordering are also unaffected. Uniprocessor systems are not affected by this erratum. Intel has not identified, to date, any commercially available application or operating system software which is affected by this erratum. If the erratum does occur, the delayed line invalidation that occurs naturally

due to the fact that one processor will necessarily win the invalidation race allows a narrow timing window to exist where one processor may re-read a line that it just wrote internally, but return with the stale data that was present from the previous shared state rather than the data written more recently by another processor.

WORKAROUND: Deterministic barriers beyond which program variables will not be modified can be achieved via the usage of locked semaphore operations, and this scheme has been shown to effectively work around this erratum.

STATUS: For the steppings affected see the Summary Table of Changes at the beginning of this section.

A29. Potential Early Deassertion of LOCK# During Split-Lock Cycles

PROBLEM: During a split-lock cycle there are four bus transactions: 1st ADS# (a partial read), 2nd ADS# (a partial read), 3rd ADS# (a partial write), and the 4th ADS# (a partial write). Due to this erratum, LOCK# may deassert one clock after the 4th ADS# of the split-lock cycle instead of after the 4th RS# assertion corresponding to the 4th ADS# has been sampled. The following sequence of events are required for this erratum to occur:

1. A lock cycle occurs (split or nonsplit).
2. Five more bus transactions (assertion of ADS#) occur.
3. A split-lock cycle occurs and BNR# toggles after the 3rd ADS# (partial write) of the split-lock cycle. This in turn delays the assertion of the 4th ADS# of the split-lock cycle. BNR# toggling at this time could most likely happen when the bus is set for an IOQ depth of 2.

When all of these events occur, LOCK# will be deasserted in the next clock after the 4th ADS# of the split-lock cycle.

IMPLICATION: This may affect chipset logic which monitors the behavior of LOCK# deassertion.

WORKAROUND: None identified at this time.

STATUS: For the steppings affected see the Summary Table of Changes at the beginning of this section.

A30. A20M# May Be Inverted After Returning From SMM and Reset

PROBLEM: This erratum is seen when software causes the following events to occur:

1. The assertion of A20M# in real address mode.
2. After entering the 1-Mbyte address wrap-around mode caused by the assertion of A20M#, there is an assertion of SMI# intended to cause a Reset or remove power to the processor. Once in the SMM handler, software saves the SMM state save map to an area of nonvolatile memory from which it can be restored at some point in the future. Then software asserts RESET# or removes power to the processor.
3. After exiting Reset or completion of power-on, software asserts SMI# again. Once in the SMM handler, it then retrieves the old SMM state save map which was saved in event 2 above and copies it into the current SMM state save map. Software then asserts A20M# and executes the RSM instruction. After exiting the SMM handler, the polarity of A20M# is inverted.

IMPLICATION: If this erratum occurs, A20M# will behave with a polarity opposite from what is expected (i.e., the 1-Mbyte address wrap-around mode is enabled when A20M# is deasserted, and does not occur when A20M# is asserted).

WORKAROUND: Software should save the A20M# signal state in nonvolatile memory before an assertion of RESET# or a power down condition. After coming out of Reset or at power on, SMI# should be asserted again. During the restoration of the old SMM state save map described in event 3 above, the entire map should be restored, except for bit 5 of the byte at offset 7F18h. This bit should retain the value assigned to it when the SMM

state save map was created in event 3. The SMM handler should then restore the original value of the A20M# signal.

STATUS: For the steppings affected see the Summary Table of Changes at the beginning of this section.

A31. Reporting of Floating-Point Exception May Be Delayed

PROBLEM: The Pentium II processor normally reports a floating-point exception for an instruction when the next floating-point or MMX technology instruction is executed. The assertion of FERR# and/or the INT 16 interrupt corresponding to the exception may be delayed until the floating-point or MMX technology instruction *after* the one which is expected to trigger the exception, if the following conditions are met:

1. A floating-point instruction causes an exception.
2. Before another floating-point or MMX™ technology instruction, any one of the following occurs:
 - a. A subsequent data access occurs to a page which has not been marked as accessed, or
 - b. Data is referenced which crosses a page boundary, or
 - c. A possible page-fault condition is detected which, when resolved, completes without faulting.
3. The instruction causing event 2 above is followed by a MOVQ or MOVD store instruction.

IMPLICATION: This erratum only affects software which operates with floating-point exceptions unmasked. Software which requires floating-point exceptions to be visible on the next floating-point or MMX technology instruction, and which uses floating-point calculations on data which is then used for MMX technology instructions, may see a delay in the reporting of a floating-point instruction exception in some cases. Note that mixing floating-point and MMX technology instructions in this way is not recommended.

WORKAROUND: Inserting a WAIT or FWAIT instruction (or reading the floating-point status register) between the floating-point instruction and the MOVQ or MOVD instruction will give the expected results. This is already the recommended practice for software.

STATUS: For the steppings affected see the Summary Table of Changes at the beginning of this section.

A32. EFLAGS Discrepancy on a Page Fault After a Multiprocessor TLB Shutdown

PROBLEM: This erratum may occur when the Pentium II processor executes one of the following read-modify-write arithmetic instructions and a page fault occurs during the store of the memory operand: ADD, AND, BTC, BTR, BTS, CMPXCHG, DEC, INC, NEG, NOT, OR, ROL/ROR, SAL/SAR/SHL/SHR, SHLD, SHRD, SUB, XOR, and XADD. In this case, the EFLAGS value pushed onto the stack of the page fault handler may reflect the status of the register after the instruction would have completed execution rather than before it. The following conditions are required for the store to generate a page fault and call the operating system page fault handler:

1. The store address entry must be evicted from the DTLB by speculative loads from other instructions that hit the same way of the DTLB before the store has completed. DTLB eviction requires at least three load operations that have linear address bits 15:12 equal to each other and address bits 31:16 different from each other in close physical proximity to the arithmetic operation.
2. The page table entry for the store address must have its permissions tightened during the very small window of time between the DTLB eviction and execution of the store. Examples of page permission tightening include from Present to Not Present or from Read/Write to Read Only, etc.
3. Another processor, without corresponding synchronization and TLB flush, must cause the permission change.

IMPLICATION: This scenario may only occur on a multiprocessor platform running an operating system that performs “lazy” TLB shutdowns. The memory image of the EFLAGS register on the page fault handler's stack prematurely contains the final arithmetic flag values although the instruction has not yet completed. Intel has not identified any operating systems that inspect the arithmetic portion of the EFLAGS register during a page fault nor observed this erratum in laboratory testing of software applications.

WORKAROUND: No workaround is needed upon normal restart of the instruction, since this erratum is transparent to the faulting code and results in correct instruction behavior. Operating systems may ensure that no processor is currently accessing a page that is scheduled to have its page permissions tightened or have a page fault handler that ignores any incorrect state.

STATUS: For the steppings affected see the Summary Table of Changes at the beginning of this section.

A33. Near CALL to ESP Creates Unexpected EIP Address

PROBLEM: As documented, the CALL instruction saves procedure linking information in the procedure stack and jumps to the called procedure specified with the destination (target) operand. The target operand specifies the address of the first instruction in the called procedure. This operand can be an immediate value, a general purpose register, or a memory location. When accessing an absolute address indirectly using the stack pointer (ESP) as a base register, the base value used is the value in the ESP register before the instruction executes. However, when accessing an absolute address directly using ESP as the base register, the base value used is the value of ESP *after* the return value is pushed on the stack, not the value in the ESP register *before* the instruction executed.

IMPLICATION: Due to this erratum, the processor may transfer control to an unintended address. Results are unpredictable, depending on the particular application, and can range from no effect to the unexpected termination of the application due to an exception. Intel has observed this erratum only in a focused testing environment. Intel has not observed any commercially available operating system, application, or compiler that makes use of or generates this instruction.

WORKAROUND: If the other seven general purpose registers are unavailable for use, and it is necessary to do a CALL via the ESP register, first push ESP onto the stack, then perform an *indirect* call using ESP (e.g., CALL [ESP]). The saved version of ESP should be popped off the stack after the call returns.

STATUS: For the steppings affected see the Summary Table of Changes at the beginning of this section.

A34. Deep Sleep Exit Transition May Cause Hang

PROBLEM: Under normal operating conditions, when a system enters a power conservation mode, it enters System Management Mode (SMM), puts the processor in the Stop Grant State, followed by Sleep State and then may enter Deep Sleep State. Upon a resume event, the processor exits Deep Sleep but remains in SMM execution space until the SMI handler completes the system resume cycle.

If, prior to entering the Deep Sleep, the system was in SMM space, it is possible for the processor to exit Deep Sleep state and begin making accesses in the ‘normal’ memory space instead of staying in SMM space. The converse is also possible, i.e., if the processor is in ‘normal’ space prior to entering the Deep Sleep state, the processor may exit Deep Sleep and make accesses in SMM space instead.

IMPLICATION: Systems may execute incorrect code after exiting Deep Sleep, due to accesses to incorrect address space. This may produce unpredictable behavior, most likely hanging the system.

WORKAROUND: Avoid entering Deep Sleep. The table below offers the possible state transitions:

#	System State		Processor State		Possible Solutions	
	Name	ACPI Equivalent	Transition	ACPI Equivalent	Description	Suggested Solution
1	Active	S0	Normal to Stop Grant	C0, C1	N/A	None necessary
2	Active	S0	Stop Grant to Sleep to Deep Sleep	C1, C3	Use Stop Grant/Sleep only; do not use Deep Sleep	BIOS can specify the C3 latency time to be >1000 •s in the ACPI FACP table (P_LVL3_LAT, worst case hardware latency for the C3 state).
3	Powered On Suspend	S1, S2	Stop Grant to Deep Sleep	C1, C3	Reset CPU only and flush the cache without resetting the PCI bus, i.e., use POS_CCL state (POS with CPU Context Lost) instead of POS state.	BIOS can prevent the OS from entering the S1 state by NOT defining the S1 object in the ACPI DSDT table. Ensure that the cache is always flushed.

STATUS: For the steppings affected see the Summary Table of Changes at the beginning of this section.

A35. Built-in Self Test Always Gives Nonzero Result

PROBLEM: The Built-in Self Test (BIST) of the Pentium II processor does not give a zero result to indicate a passing test. Regardless of pass or fail status, bit 6 of the BIST result in the EAX register after running BIST is set.

IMPLICATION: Software which relies on a zero result to indicate a passing BIST will indicate BIST failure.

WORKAROUND: Mask bit 6 of the BIST result register when analyzing BIST results.

STATUS: For the steppings affected see the Summary Table of Changes at the beginning of this section.

A36. THERMTRIP# May Not Be Asserted as Specified

PROBLEM: THERMTRIP# is a signal on the Pentium II processor which is asserted when the core reaches a critical temperature during operation as detailed in the processor specification. The Pentium II processor may not assert THERMTRIP# until a much higher temperature than the one specified is reached.

IMPLICATION: The THERMTRIP# feature is not functional on the Pentium II processor. Note that this erratum can only occur when the processor is running with a T_{PLATE} temperature over the maximum specification of 75 °C.

WORKAROUND: Avoid operation of the Pentium II processor outside of the thermal specifications defined by the processor specifications.

STATUS: For the steppings affected see the Summary Table of Changes at the beginning of this section.

A37. Cache State Corruption in the Presence of Page A/D-bit Setting and Snoop Traffic

PROBLEM: If an operating system uses the Page Access and/or Dirty bit feature implemented in the Intel architecture and there is a significant amount of snoop traffic on the bus, while the processor is setting the Access and/or Dirty bit the processor may inappropriately change a single L1 cache line to the modified state.

IMPLICATION: The occurrence of this erratum may result in cache incoherency, which may cause parity errors, data corruption (with no parity error), unexpected application or operating system termination, or system hangs.

WORKAROUND: It is possible for BIOS code to contain a workaround for this erratum.

STATUS: For the steppings affected see the Summary Table of Changes at the beginning of this section.

A38. Snoop Cycle Generates Spurious Machine Check Exception

PROBLEM: The processor may incorrectly generate a Machine Check Exception (MCE) when it processes a snoop access that does not hit the L1 data cache. Due to an internal logic error, this type of snoop cycle may still check data parity on undriven data lines. The processor generates a spurious machine check exception as a result of this unnecessary parity check.

IMPLICATION: A spurious machine check exception may result in an unexpected system halt if Machine Check Exception reporting is enabled in the operating system.

WORKAROUND: It is possible for BIOS code to contain a workaround for this erratum. This workaround would fix the erratum, however, the data parity error will still be reported.

STATUS: For the steppings affected see the Summary Table of Changes at the beginning of this section.

A39. MOVD/MOVQ Instruction Writes to Memory Prematurely

PROBLEM: When an instruction encounters a fault, the faulting instruction should not modify any CPU or system state. However, when the MMX technology store instructions MOVD and MOVQ encounter any of the following events, it is possible for the store to be committed to memory even though it should be canceled:

1. If CR0.EM = 1 (Emulation bit), then the store could happen prior to the triggered invalid opcode exception.
2. If the floating-point Top-of-Stack (FP TOS) is not zero, then the store could happen prior to executing the processor assist routine that sets the FP TOS to zero.
3. If there is an unmasked floating-point exception pending, then the store could happen prior to the triggered unmasked floating-point exception.
4. If CR0.TS = 1 (Task Switched bit), then the store could happen prior to the triggered Device Not Available (DNA) exception.

If the MOVD/MOVQ instruction is restarted after handling any of the above events, then the store will be performed again, overwriting with the expected data. The instruction will not be restarted after event 1. The instruction will definitely be restarted after events 2 and 4. The instruction may or may not be restarted after event 3, depending on the specific exception handler.

IMPLICATION: This erratum causes unpredictable behavior in an application if MOVD/MOVQ instructions are used to manipulate semaphores for multiprocessor synchronization, or if these MMX instructions are used to write to uncacheable memory or memory mapped I/O that has side effects, e.g., graphics devices. This erratum is completely transparent to all applications that do not have these characteristics. When each of the above conditions are analyzed:

1. Setting the CR0.EM bit forces all floating-point/MMX™ instructions to be handled by software emulation. The MOVD/MOVQ instruction, which is an MMX instruction, would be considered an invalid instruction. Operating systems typically terminates the application after getting the expected invalid opcode fault.
2. The FP TOS not equal to 0 case only occurs when the MOVD/MOVQ store is the first MMX instruction in an MMX technology routine and the previous floating-point routine did not clean up the floating-point states properly when it exited. Floating-point routines commonly leave TOS to 0 prior to exiting. For a store to be executed as the first MMX instruction in an MMX technology routine following a floating-point routine, the software would be implementing instruction level intermixing of floating-point and MMX instructions. Intel does not recommend this practice.
3. The unmasked floating-point exception case only occurs if the store is the first MMX technology instruction in an MMX technology routine and the previous floating-point routine exited with an unmasked floating-point exception pending. Again, for a store to be executed as the first MMX instruction in an MMX technology routine following a floating-point routine, the software would be implementing instruction level intermixing of floating-point and MMX instructions. Intel does not recommend this practice.
4. Device Not Available (DNA) exceptions occur naturally when a task switch is made between two tasks that use either floating-point instructions and/or MMX instructions. For this erratum, in the event of the DNA exception, data from the prior task may be temporarily stored to the present task's program state.

WORKAROUND: Do not use MMX instructions to manipulate semaphores for multiprocessor synchronization. Do not use MOVD/MOVQ instructions to write directly to I/O devices if doing so triggers user visible side effects. An OS can prevent old data from being stored to a new task's program state by cleansing the FPU explicitly after every task switch. Follow Intel's recommended programming paradigms in the Intel Architecture Optimization Manual for writing MMX technology programs. Specifically, do not mix floating-point and MMX instructions. When transitioning to new a MMX technology routine, begin with an instruction that does not depend on the prior state of either the MMX technology registers or the floating-point registers, such as a load or PXOR mm0, mm0. Be sure that the FP TOS is clear before using MMX instructions.

STATUS: For the steppings affected see the Summary Table of Changes at the beginning of this section.

A40. Memory Type Undefined for Nonmemory Operations

PROBLEM: The Memory Type field for nonmemory transactions such as I/O and Special Cycles are undefined. Although the Memory Type attribute for nonmemory operations logically should (and usually does) manifest itself as UC, this feature is not designed into the implementation and is therefore inconsistent.

IMPLICATION: Bus agents may decode a non-UC memory type for nonmemory bus transactions.

WORKAROUND: Bus agents must consider transaction type to determine the validity of the Memory Type field for a transaction.

STATUS: For the steppings affected, see the Summary Table of Changes at the beginning of this section.

A41. Infinite Snoop Stall During L2 Initialization of MP Systems

PROBLEM: It is possible for snoop traffic generated on the system bus while a processor is executing its L2 cache initialization routine to cause the initializing processor to hang.

IMPLICATION: A DP (2-way) system which does not suppress snoop traffic while L2 caches are being initialized may hang during this initialization sequence.

WORKAROUND: System BIOS can create an execution environment which allows processors to initialize their L2 caches without the system generating any snoop traffic on the bus.

Below is a pseudo-code fragment, designed explicitly for a 2 processor system, that uses a serial algorithm to initialize each processor's L2 cache:

```
Suppress_all_I/O_traffic()
K = 0;
while (K <= 1)
{
/* Obtain current value of K. This forces both Temp and K into */
/* the L1 cache. Note that Temp could also be maintained in a */
/* general purpose register. */

Temp = K;
Wait_until_all_processors_are_signed_in_at_barrier()
if ( logical_proc_APIC_id == K ) {
{
wait_10_usecs_delay_loop(); /* this time delay, required */
/* in the worst case, allows */
/* the barrier semaphore to */
/* settle to shared state. */
Initialize L2 cache
K++
}
else
while (Temp == K);
}
}
```

This algorithm prevents bus snoop traffic from the other processors, which would otherwise cause the initializing processor to hang. The algorithm assumes that the L1 cache is enabled (the Temp and K variables must be cached by each processor). Also, the Memory Type Range Register (MTRR) for the data segment must be set to WB (writeback) memory type.

STATUS: For the steppings affected see the Summary Table of Changes at the beginning of this section.

A42. Bus Protocol Conflict With Optimized Chipsets

PROBLEM: A “dead” turnaround cycle with no agent driving the address, address parity, request command, or request parity signals must occur between the processor driving these signals and the chipset driving them after asserting BPR#₀. The Pentium II processor does not follow this protocol. Thus, if a system uses a chipset or third party agent which optimizes its arbitration latency (reducing it to 2 clocks when it observes an active (low) ADS# signal and an inactive (high) LOCK# signal on the same clock that BPR#₀ is asserted (driven low)), the Pentium II processor may cause bus contention during an unlocked bus exchange.

IMPLICATION: This violation of the bus exchange protocol when using a reduced arbitration latency may cause a system-level setup timing violation on the address, address parity, request command, or request parity signals on the system bus. This may result in a system hang or assertion of the AERR# signal, causing an attempted corrective action or shutdown of the system, as the system hardware and software dictate. The possibility of failure due to the contention caused by this erratum may be increased due to the processor's internal active pull-up of these signals on the clock after the signals are no longer being driven by the processor.

WORKAROUND: If the chipset and third party agents used with the Pentium II processor do not optimize their arbitration latency as described above, no action is required. For the 66 MHz Pentium II processor, no action is required. If agents that have implemented this optimization, by following the *100 MHz GTL+ Layout Guidelines for the Pentium® II Processor* and *Intel 440BX AGPset* for UP-SET (single-ended termination) and DP with both processors installed, no action is required. The following two cases are additional guidelines for UP-DET (dual-ended termination) and DP-DET with only one processor populated.

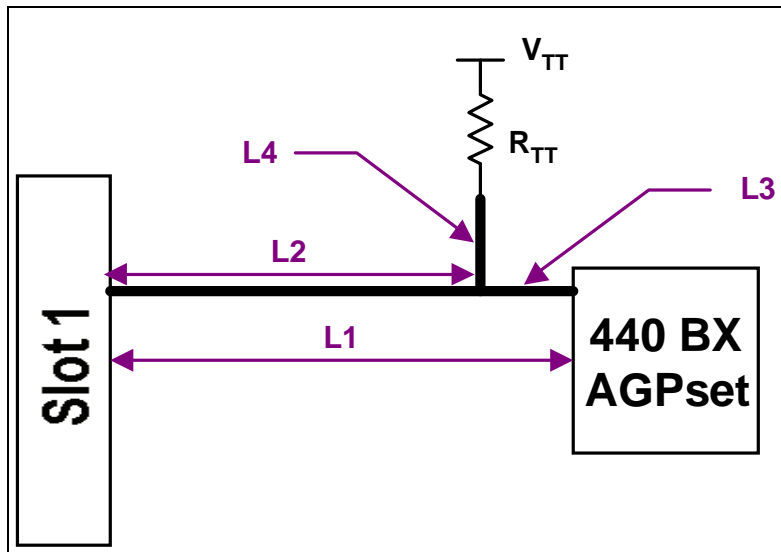


Figure 1. UP Dual Ended Termination (DET)

For UP-DET topologies (see Figure 1), the trace length L1 must be between 1.5" to 4.5" while using a 56Ω termination resistor.

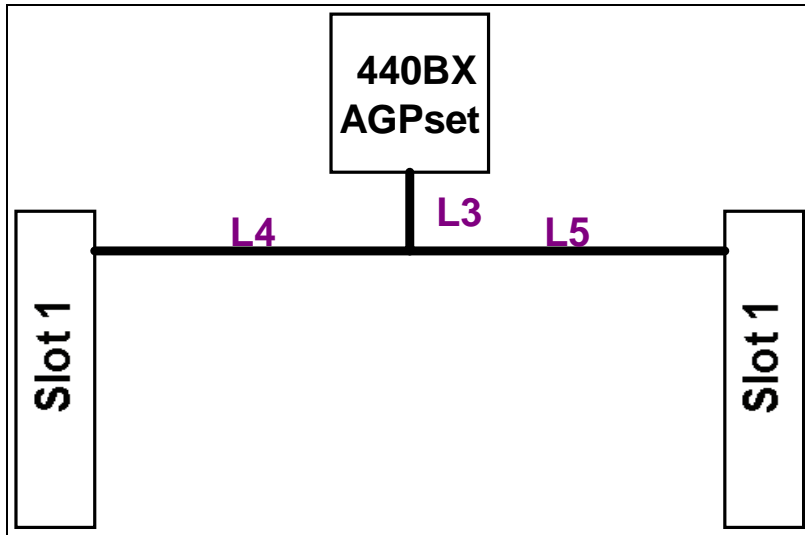


Figure 2. DP Dual Ended Termination (DET)

For DP topologies (see Figure 2) installed with a processor and a termination card, $L4 + L3$ or $L5 + L3$ must be less than or equal to 4.5". Additionally, for DP platforms with one processor installed, the termination card should be placed in the longer leg.

STATUS: For the steppings affected see the Summary Table of Changes at the beginning of this section.

A43. FP Data Operand Pointer May Not Be Zero After Power On or Reset

PROBLEM: The FP Data Operand Pointer, as specified, should be reset to zero upon power on or Reset by the processor. Due to this erratum, the FP Data Operand Pointer may be nonzero after power on or Reset.

IMPLICATION: Software which uses the FP Data Operand Pointer and count on its value being zero after power on or Reset without first executing an FINIT/FNINIT instruction will use an incorrect value, resulting in incorrect behavior of the software.

WORKAROUND: Software should follow the recommendation in Section 8.2 of the *Intel Architecture Software Developer's Manual, Volume 3: System Programming Guide* (Order Number 243192). This recommendation states that if the FPU will be used, software-initialization code should execute an FINIT/FNINIT instruction following a hardware reset. This will correctly clear the FP Data Operand Pointer to zero.

STATUS: For the steppings affected see the Summary Table of Changes at the beginning of this section.

A44. MOVD Following Zeroing Instruction Can Cause Incorrect Result

PROBLEM: An incorrect result may be calculated after the following circumstances occur:

1. A register has been zeroed with either a SUB reg, reg instruction or an XOR reg, reg instruction,

2. A value is moved with sign extension into the same register's lower 16 bits; or a signed integer multiply is performed to the same register's lower 16 bits,
3. This register is then copied to an MMX™ technology register using the MOVD instruction prior to any other operations on the sign-extended value.

Specifically, the sign may be incorrectly extended into bits 16-31 of the MMX technology register. Only the MMX technology register is affected by this erratum.

The erratum only occurs when the 3 following steps occur in the order shown. The erratum may occur with up to 40 intervening instructions that do not modify the sign-extended value between steps 2 and 3.

1. XOR EAX, EAX
or SUB EAX, EAX
2. MOVSX AX, BL
or MOVSX AX, byte ptr <memory address> or MOVSX AX, BX
or MOVSX AX, word ptr <memory address> or IMUL BL (AX implicit, opcode F6 /5)
or IMUL byte ptr <memory address> (AX implicit, opcode F6 /5) or IMUL AX, BX (opcode 0F AF /r)
or IMUL AX, word ptr <memory address> (opcode 0F AF /r) or IMUL AX, BX, 16 (opcode 6B /r ib)
or IMUL AX, word ptr <memory address>, 16 (opcode 6B /r ib) or IMUL AX, 8 (opcode 6B /r ib)
or IMUL AX, BX, 1024 (opcode 69 /r iw)
or IMUL AX, word ptr <memory address>, 1024 (opcode 69 /r iw) or IMUL AX, 1024 (opcode 69 /r iw)
or CBW
3. MOVD MM0, EAX

Note that the values for immediate byte/words are merely representative (i.e., 8, 16, 1024) and that any value in the range for the size may be affected. Also, note that this erratum may occur with "EAX" replaced with any 32-bit general purpose register, and "AX" with the corresponding 16-bit version of that replacement. "BL" or "BX" can be replaced with any 8-bit or 16-bit general purpose register. The CBW and IMUL (opcode F6 /5) instructions are specific to the EAX register only.

In the example, EAX is forced to contain 0 by the XOR or SUB instructions. Since the four types of the MOVSX or IMUL instructions and the CBW instruction modify only bits 15:8 of EAX by sign extending the lower 8 bits of EAX, bits 31:16 of EAX should always contain 0. This implies that when MOVD copies EAX to MM0, bits 31:16 of MM0 should also be 0. Under certain scenarios, bits 31:16 of MM0 are not 0, but are replicas of bit 15 (the 16th bit) of AX. This is noticeable when the value in AX after the MOVSX, IMUL or CBW instruction is negative, i.e., bit 15 of AX is a 1.

When AX is positive (bit 15 of AX is a 0), MOVD will always produce the correct answer. If AX is negative (bit 15 of AX is a 1), MOVD may produce the right answer or the wrong answer depending on the point in time when the MOVD instruction is executed in relation to the MOVSX, IMUL or CBW instruction.

IMPLICATION: The effect of incorrect execution will vary from unnoticeable, due to the code sequence discarding the incorrect bits, to an application failure. If the MMX technology-enabled application in which MOVD is used to manipulate pixels, it is possible for one or more pixels to exhibit the wrong color or position momentarily. It is also possible for a computational application that uses the MOVD instruction in the manner described above to produce incorrect data. Note that this data may cause an unexpected page fault or general protection fault.

WORKAROUND: There are two possible workarounds for this erratum:

1. Rather than using the MOVSX-MOVD, IMUL-MOVD or CBW-MOVD pairing to handle one variable at a time, use the sign extension capabilities (PSRAW, etc.) within MMX™ technology for operating on multiple variables. This would result in higher performance as well.
2. Insert another operation that modifies or copies the sign-extended value between the MOVSX/IMUL/CBW instruction and the MOVD instruction as in the example below:

XOR EAX, EAX (or SUB EAX, EAX)
MOVSX AX, BL (or other MOVSX, other IMUL or CBW instruction)
*MOV EAX, EAX
MOVD MM0, EAX

*Note: MOV EAX, EAX is used here as it is fairly generic. Again, EAX can be any 32-bit register.

STATUS: For the steppings affected see the Summary Table of Changes at the beginning of this section.

A45. Premature Execution of a Load Operation Prior to Exception Handler Invocation

PROBLEM: This erratum can occur with any of the following situations:

1. If an instruction that performs a memory load causes a code segment limit violation,
2. If a waiting floating-point instruction or MMX™ instruction that performs a memory load has a floating-point exception pending, or
3. If an MMX instruction that performs a memory load and has either CR0.EM =1 (Emulation bit set), or a floating-point Top-of-Stack (FP TOS) not equal to 0, or a DNA exception pending.

If any of the above circumstances occur it is possible that the load portion of the instruction will have executed before the exception handler is entered.

IMPLICATION: In normal code execution where the target of the load operation is to write back memory there is no impact from the load being prematurely executed, nor from the restart and subsequent re-execution of that instruction by the exception handler. If the target of the load is to uncached memory that has a system side-effect, restarting the instruction may cause unexpected system behavior due to the repetition of the side-effect.

WORKAROUND: Code which performs loads from memory that has side-effects can effectively workaround this behavior by using simple integer-based load instructions when accessing side-effect memory and by ensuring that all code is written such that a code segment limit violation cannot occur as a part of reading from side-effect memory.

STATUS: For the steppings affected see the Summary Table of Changes at the beginning of this section.

A46. Read Portion of RMW Instruction May Execute Twice

PROBLEM: When the Pentium II processor executes a read-modify-write (RMW) arithmetic instruction, with memory as the destination, it is possible for a page fault to occur during the execution of the store on the memory operand after the read operation has completed but before the write operation completes.

If the memory targeted for the instruction is UC (uncached), memory will observe the occurrence of the initial load before the page fault handler and again if the instruction is restarted.

IMPLICATION: This erratum has no effect if the memory targeted for the RMW instruction has no side-effects. If, however, the load targets a memory region that has side-effects, multiple occurrences of the initial load may lead to unpredictable system behavior.

WORKAROUND: Hardware and software developers who write device drivers for custom hardware that may have a side-effect style of design should use simple loads and simple stores to transfer data to and from the device. Then, the memory location will simply be read twice with no additional implications.

STATUS: For the steppings affected see the Summary Table of Changes at the beginning of this section.

A47. Test Pin Must Be High During Power Up

PROBLEM: The processor uses the PWRGOOD signal to ensure that no voltage sequencing issues arise; no pin assertions should cause the processor to change its behavior until this signal is asserted, when all power supplies and clocks to the processor are valid and stable. However, if the TESTHI signal is at a low voltage level when the core power supply comes up, it will cause the processor to enter an invalid test state.

IMPLICATION: If this erratum occurs, the system may boot normally however, L2 cache may not be initialized.

WORKAROUND: Ensure that the 2.5 V ($V_{CC2.5}$) power supply ramps at or before the 2.0 V (V_{CCCORE}) power plane. If 2.5 V ramps after core, pull up TESTHI to 2.5 V ($V_{CC2.5}$) with a 100K ohm resistor. The internal pull-up will keep the signal from being asserted during power up. For new motherboard designs, it is recommended that TESTHI be pulled up to 2.0 V (V_{CCCORE}) using a 1K-10K ohm resistor.

STATUS: For the steppings affected see the Summary Table of Changes at the beginning of this section.

A48. Intervening Writeback May Occur During Locked Transaction

PROBLEM: During a transaction which has the LOCK# signal asserted (i.e., a locked transaction), there is a potential for an explicit writeback caused by a previous transaction to complete while the bus is locked. The explicit writeback will only be issued by the processor which has locked the bus, and the lock signal will not be deasserted until the locked transaction completes, but the atomicity of a lock may be compromised by this erratum. Note that the explicit writeback is an expected cycle, and no memory ordering violations will occur. This erratum is, however, a violation of the bus lock protocol.

IMPLICATION: A chipset or third-party agent (TPA) which tracks bus transactions in such a way that locked transactions may only consist of a read-write or read-read-write-write locked sequence, with no transactions intervening, may lose synchronization of state due to the intervening explicit writeback. Systems using chipsets or TPAs which can accept the intervening transaction will not be affected.

WORKAROUND: The bus tracking logic of all devices on the system bus should allow for the occurrence of an intervening transaction during a locked transaction.

STATUS: For the steppings affected see the Summary Table of Changes at the beginning of this section.

A49. MC2_STATUS MSR Has Model-Specific Error Code and Machine Check Architecture Error Code Reversed

PROBLEM: The *Intel Architecture Software Developer's Manual, Volume 3: System Programming Guide*, documents that for the MC_i_STATUS MSR, bits 15:0 contain the MCA (machine-check architecture) error code field, and bits 31:16 contain the model-specific error code field. However, for the MC2_STATUS MSR, these bits have been reversed. For the MC2_STATUS MSR, bits 15:0 contain the model-specific error code field and bits 31:16 contain the MCA error code field.

IMPLICATION: A machine check error may be decoded incorrectly if this erratum on the MC2_STATUS MSR is not taken into account.

WORKAROUND: When decoding the MC2_STATUS MSR, reverse the two error fields.

STATUS: For the steppings affected see the Summary Table of Changes at the beginning of this section.

A50. Mixed Cacheability of Lock Variables Is Problematic in MP Systems

PROBLEM: This errata only affects multiprocessor systems where a lock variable address is marked cacheable in one processor and uncacheable in any others. The processors which have it marked uncacheable may stall indefinitely when accessing the lock variable. The stall is only encountered if:

- One processor has the lock variable cached, and is attempting to execute a cache lock.
- If the processor which has that address cached has it cached in its L2 only.
- Other processors, meanwhile, issue back to back accesses to that same address on the bus.

IMPLICATION: MP systems where all processors either use cache locks or consistent locks to uncacheable space will not encounter this problem. If, however, a lock variable's cacheability varies in different processors, and several processors are all attempting to perform the lock simultaneously, an indefinite stall may be experienced by the processors which have it marked uncacheable in locking the variable (if the conditions above are satisfied). Intel has only encountered this problem in focus testing with artificially generated external events. Intel has not currently identified any commercial software which exhibits this problem.

WORKAROUND: Follow a homogenous model for the memory type range registers (MTRRs), ensuring that all processors have the same cacheability attributes for each region of memory; do not use locks whose memory type is cacheable on one processor, and uncacheable on others. Avoid page table aliasing, which may produce a nonhomogenous memory model.

STATUS: For the steppings affected see the Summary Table of Changes at the beginning of this section.

A51. MOV With Debug Register Causes Debug Exception

PROBLEM: When in V86 mode, if a MOV instruction is executed on debug registers, a general-protection exception (#GP) should be generated, as documented in the *Intel Architecture Software Developer's Manual, Volume 3: System Programming Guide*, Section 14.2. However, in the case when the general detect enable flag (GD) bit is set, the observed behavior is that a debug exception (#DB) is generated instead.

IMPLICATION: With debug-register protection enabled (i.e., the GD bit set), when attempting to execute a MOV on debug registers in V86 mode, a debug exception will be generated instead of the expected general-protection fault.

WORKAROUND: In general, operating systems do not set the GD bit when they are in V86 mode. The GD bit is generally set and used by debuggers. The debug exception handler should check that the exception did not occur in V86 mode before continuing. If the exception did occur in V86 mode, the exception may be directed to the general-protection exception handler.

STATUS: For the steppings affected see the Summary Table of Changes at the beginning of this section.

A52. Upper Four PAT Entries Not Usable With Mode B or Mode C Paging

PROBLEM: The Page Attribute Table (PAT) contains eight entries, which must all be initialized and considered when setting up memory types for the Pentium II processor. However, in Mode B or Mode C paging, the upper four entries do not function correctly for 4-Kbyte pages. Specifically, bit seven of page table entries that translate addresses to 4-Kbyte pages should be used as the upper bit of a three-bit index to determine the PAT entry that specifies the memory type for the page. When Mode B (CR4.PSE = 1) and/or Mode C (CR4.PAE) are enabled, the processor forces this bit to zero when determining the memory type regardless of the value in the page table entry. The upper four entries of the PAT function correctly for 2-Mbyte and 4-Mbyte large pages (specified by bit 12 of the page directory entry for those translations).

IMPLICATION: Only the lower four PAT entries are useful for 4 KB translations when Mode B or C paging is used. In Mode A paging (4-Kbyte pages only), all eight entries may be used. All eight entries may be used for large pages in Mode B or C paging.

WORKAROUND: None identified.

STATUS: For the steppings affected see the Summary Table of Changes at the beginning of this section.

A53. UC Write May Be Reordered Around a Cacheable Write

PROBLEM: After a write occurs to a UC (uncacheable) region of memory, there exists a small window of opportunity where a subsequent write transaction targeted for a UC memory region may be reordered in front of a write targeted to a region of cacheable memory. This erratum can only occur during the following sequence of bus transactions:

- A write to memory mapped as UC occurs,
- A write to memory mapped as cacheable (WB or WT) which is present in Shared or Invalid state in the L2 cache occurs, and
- During the bus snoop of the cacheable line, another store to UC memory occurs.

IMPLICATION: If this erratum occurs, the second UC write will be observed on the bus prior to the Bus Invalidate Line (BIL) or Bus Read Invalidate Line (BRIL) transaction for the cacheable write. This presents a small window of opportunity for a fast bus-mastering I/O device which triggers an action based on the second UC write to arbitrate and gain ownership of the bus prior to the completion of the cacheable write, possibly retrieving stale data.

WORKAROUND: It is possible for BIOS code to contain a workaround for this erratum.

STATUS: For the steppings affected see the Summary Table of Changes at the beginning of this section.

A54. Incorrect Memory Type May Be Used When MTRRs Are Disabled

PROBLEM: If the Memory Type Range Registers (MTRRs) are disabled without setting the CR0.CD bit to disable caching, and the Page Attribute Table (PAT) entries are left in their default setting, which includes UC- memory type (PCD = 1, PWT = 0; see the *Addendum—Intel Architecture Software Developer's Manual, Volume 3: System Programming Guide*, for details), data for entries set to UC- will be cached as if the memory type were writeback (WB). Also, if the page tables are set to a memory type other than UC-, then the effective memory type used will be that specified by the page tables and PAT. Any regions of memory normally forced to UC by the MTRRs (such as the VGA video region) may now be incorrectly cached and speculatively accessed.

Even if the CR0.CD bit is correctly set when the MTRRs are disabled and the PAT is left in its default state, then retries and out of order retirement of UC accesses may occur, contrary to the strong ordering expected for these transactions.

IMPLICATION: The occurrence of this erratum may result in the use of incorrect data and unpredictable processor behavior when running with the MTRRs disabled. Interaction between the mouse, cursor, and VGA video display leading to video corruption may occur as a symptom of this erratum as well.

WORKAROUND: Ensure that when the MTRRs are disabled, the CR0.CD bit is set to disable caching. This recommendation is described in *Intel Architecture Software Developer's Manual, Volume 3: System Programming Guide*. If it is necessary to disable the MTRRs, first clear the PAT register before setting the CR0.CD bit, flushing the caches, and disabling the MTRRs to ensure that UC memory type is always returned and strong ordering is maintained.

STATUS: For the steppings affected see the Summary Table of Changes at the beginning of this section.

A55. Misprediction in Program Flow May Cause Unexpected Instruction Execution

PROBLEM: To optimize performance through dynamic execution technology, the P6 architecture has the ability to predict program flow. In the event of a misprediction, the processor will normally clear the incorrect prediction, adjust the EIP to the correct location, and flush out any instructions it may have fetched from the misprediction. In circumstances where a branch misprediction occurs, the correct target of the branch has already been opportunistically fetched into the streaming buffers, and the L2 cycle caused by the evicted cache line is retried by the L2 cache, the processor may fail to flush out the retirement unit before the speculative program flow is committed to a permanent state.

IMPLICATION: The results of this erratum may range from no effect to unpredictable application or OS failure. Manifestations of this failure may result in:

- Unexpected values in EIP,
- Faults or traps (e.g., page faults) on instructions that do not normally cause faults,
- Faults in the middle of instructions, or
- Unexplained values in registers/memory at the correct EIP.

WORKAROUND: It is possible for BIOS code to contain a workaround for this erratum.

STATUS: For the steppings affected see the Summary Table of Changes at the beginning of this section.

A56. System Bus ECC May Report False Errors

PROBLEM: The processor's ECC circuitry may fail to meet its frequency timing specification under certain environmental conditions. At the high end of the temperature specification and/or the low end of the voltage range, the processor may report false ECC errors.

IMPLICATION: If the system has data error checking enabled (bit [1] of the EBL_CR_POWERON register set to "1") and has Machine Check Architecture enabled, spurious double bit error detection can occur causing Machine Check Exceptions (MCE) and spurious single bit errors to occur and be logged. Under some circumstances the processor may assert BINIT#, which in turn, may cause some systems to generate an MCE, and in others cause a reboot.

WORKAROUND: Disable system bus data error checking (set bit [1] of the EBL_CR_POWERON register to "0").

STATUS: For the processor part numbers affected see the "Pentium® II Processor Identification Information" table in the General Information section.

A57. Full In-Order Queue May Cause Infinite DBSY# Assertion

PROBLEM: For this erratum to occur, there must be a high rate of code fetches from the core to its L2 cache, which must hit the L2 cache, AND in parallel an externally generated read transaction that hits a modified line FOLLOWED by 7 consecutive 0 length external transactions in rapid succession FOLLOWED by another external transaction that also hits a modified line.

IMPLICATION: The writeback data is not transferred to memory. No further bus transactions may be issued because the In-Order Queue is full.

WORKAROUND: None Identified.

STATUS: For the steppings affected see the Summary Table of Changes at the beginning of this section.

A58. Data Breakpoint Exception in a Displacement Relative Near Call May Corrupt EIP

PROBLEM: If a data breakpoint is programmed at the memory location where the stack push of a near call is performed, the processor will update the stack and ESP appropriately, but may skip the code at the destination of the call. Hence, program execution will continue with the next instruction immediately following the call, instead of the target of the call.

IMPLICATION: The failure mechanism for this erratum is that the call would not be taken; therefore, instructions in the called subroutine would not be executed. As a result, any code relying on the execution of the subroutine will behave unpredictably.

WORKAROUND: Do not program a data breakpoint exception on the stack where the push for the near call is performed.

STATUS: For the steppings affected see the Summary Table of Changes at the beginning of this section.

A59. System Bus ECC Not Functional With 2:1 Ratio

PROBLEM: If a processor is underclocked at a core frequency to system bus frequency ratio of 2:1 and system bus ECC is enabled, the system bus ECC detection and correction will negatively affect internal timing dependencies.

IMPLICATION: If system bus ECC is enabled, and the processor is underclocked at a 2:1 ratio, the system may behave unpredictably due to these timing dependencies.

WORKAROUND: All bus agents that support system bus ECC must disable it when a 2:1 ratio is used.

STATUS: For the steppings affected see the Summary Table of Changes at the beginning of this section.

A60. Fault on REP CMPS/SCAS Operation May Cause Incorrect EIP

PROBLEM: If either a General Protection Fault, Alignment Check Fault or Machine Check Exception occur during the first iteration of a REP CMPS or a REP SCAS instruction, an incorrect EIP may be pushed onto the stack of the event handler if all the following conditions are true:

- The event occurs on the initial load performed by the instruction(s),
- The condition of the zero flag before the repeat instruction happens to be opposite of the repeat condition (i.e., REP/REPE/REPZ CMPS/SCAS with ZF = 0 or RENE/REPZ CMPS/SCAS with ZF = 1), and
- The faulting micro-op and a particular micro-op of the REP instruction are retired in the retirement unit in a specific sequence.

The EIP will point to the instruction following the REP CMPS/SCAS instead of pointing to the faulting instruction.

IMPLICATION: The result of the incorrect EIP may range from no effect to unexpected application/OS behavior.

WORKAROUND: None identified at this time.

STATUS: For the steppings affected see the Summary Table of Changes at the beginning of this section.

A61. RDMSR or WRMSR To Invalid MSR Address May Not Cause GP Fault

PROBLEM: The RDMSR and WRMSR instructions allow reading or writing of MSRs (Model Specific Registers) based on the index number placed in ECX. The processor should reject access to any reserved or unimplemented MSRs by generating #GP(0). However, there are some invalid MSR addresses for which the processor will not generate #GP(0).

IMPLICATION: For RDMSR, undefined values will be read into EDX:EAX. For WRMSR, undefined processor behavior may result.

WORKAROUND: Do not use invalid MSR addresses with RDMSR or WRMSR.

STATUS: For the steppings affected see the Summary Table of Changes at the beginning of this section.

A62. SYSENTER/SYSEXIT Instructions Can Implicitly Load “Null Segment Selector” to SS and CS Registers

PROBLEM: According to the processor specification, attempting to load a null segment selector into the CS and SS segment registers should generate a General Protection Fault (#GP). Although loading a null segment selector to the other segment registers is allowed, the processor will generate an exception when the segment register holding a null selector is used to access memory.

However, the SYSENTER instruction can implicitly load a null value to the SS segment selector. This can occur if the value in SYSENTER_CS_MSR is between FFF8h and FFFBh when the SYSENTER instruction is executed. This behavior is part of the SYSENTER/SYSEXIT instruction definition; the content of the SYSTEM_CS_MSR is always incremented by 8 before it is loaded into the SS. This operation will set the null bit in the segment selector if a null result is generated, but it does not generate a #GP on the SYSENTER instruction itself. An exception will be generated as expected when the SS register is used to access memory, however.

The SYSEXIT instruction will also exhibit this behavior for both CS and SS when executed with the value in SYSENTER_CS_MSR between FFF0h and FFF3h, or between FFE8h and FFEbh, inclusive.

IMPLICATION: These instructions are intended for operating system use. If this erratum occurs (and the OS does not ensure that the processor never has a null segment selector in the SS or CS segment registers), the processor's behavior may become unpredictable, possibly resulting in system failure.

WORKAROUND: Do not initialize the SYSTEM_CS_MSR with the values between FFF8h and FFFBh, FFF0h and FFF3h, or FFE8h and FFEbh before executing SYSENTER or SYSEXIT.

STATUS: For the steppings affected see the Summary Table of Changes at the beginning of this section.

A63. PRELOAD Followed by EXTEST Does Not Load Boundary Scan Data

PROBLEM: According to the IEEE 1149.1 Standard, the EXTEST instruction would use data “typically loaded onto the latched parallel outputs of boundary-scan shift-register stages using the SAMPLE/PRELOAD instruction prior to the selection of the EXTEST instruction.” As a result of this erratum, this method cannot be used to load the data onto the outputs.

IMPLICATION: Using the PRELOAD instruction prior to the EXTEST instruction will not produce expected data after the completion of EXTEST.

WORKAROUND: None identified at this time.

STATUS: For the steppings affected see the Summary Table of Changes at the beginning of this section.

A64. Far Jump to New TSS With D-bit Cleared May Cause System Hang

PROBLEM: A task switch may be performed by executing a far jump through a task gate or to a new Task State Segment (TSS) directly. Normally, when such a jump to a new TSS occurs, the D-bit (which indicates that the page referenced by a Page Table Entry (PTE) has been modified) for the PTE which maps the location of the previous TSS will already be set, and the processor will operate as expected. However, if the D-bit is clear at the time of the jump to the new TSS, the processor will hang.

IMPLICATION: If an OS is used which can clear the D-bit for system pages, and which jumps to a new TSS on a task switch, then a condition may occur which results in a system hang. Intel has not identified any commercial software which may encounter this condition; this erratum was discovered in a focused testing environment.

WORKAROUND: Ensure that OS code does not clear the D-bit for system pages (including any pages that contain a task gate or TSS). Use task gates rather than jumping to a new TSS when performing a task switch.

STATUS: For the steppings affected see the Summary Table of Changes at the beginning of this section.

A65. Incorrect Chunk Ordering May Prevent Execution of the Machine Check Exception Handler After BINIT#

PROBLEM: If a catastrophic bus error is detected which results in a BINIT# assertion, and the BINIT# assertion is propagated to the processor's L2 cache at the same time that data is being sent to the processor, then the data may become corrupted in the processor's L1 cache.

IMPLICATION: Since BINIT# assertion is due to a catastrophic event on the bus, the corrupted data will not be used. However, it may prevent the processor from executing the Machine Check Exception (MCE) handler, causing the system to hang.

WORKAROUND: None identified at this time.

STATUS: For the steppings affected see the Summary Table of Changes at the beginning of this section.

A66. Resume Flag May Not Be Cleared After Debug Exception

PROBLEM: The Resume Flag (RF) is normally cleared by the processor after executing an instruction which causes a debug exception (#DB). In the process of determining whether the RF needs to be cleared after executing the instruction, the processor uses an internal register containing stale data. The stale data may unpredictably prevent the processor from clearing the RF.

IMPLICATION: If this erratum occurs, further debug exceptions will be disabled.

WORKAROUND: None identified at this time.

STATUS: For the steppings affected see the Summary Table of Changes at the beginning of this section.

A67. System Bus Address Parity Generator May Report False AERR#s

PROBLEM: The processor's address parity error detection circuit may fail to meet its frequency timing specification under certain environmental conditions. At the high end of the temperature specification and/or the low end of the voltage range, the processor may report false address parity errors (AERRs).

IMPLICATION: If the system has AERR# drive enabled (bit [3] of the EBL_CR_POWERON register set to '1') spurious address detection and reporting may occur. In some system configurations BINIT# may be asserted on the system bus. This may cause some systems to generate a machine check exception and in others may cause a reboot.

WORKAROUND: Disable AERR# drive from the processor. AERR# drive may be disabled by clearing bit [3] in the EBL_CR_POWERON register. In addition, if the chipset allows, AERR# drive should be enabled from the chipset and AERR# observation enabled on the processor. AERR# observation on the processor is enabled by asserting A8# on the active-to-inactive transition of RESET#.

STATUS: For the processor part numbers affected see the "Pentium® II Processor Identification and Packaging Information" table at the General Information section.

A68. Misaligned Locked Access to APIC Space Results in Hang

PROBLEM: When the processor's APIC space is accessed with a misaligned locked access a machine check exception is expected. However, the microcode is unable to handle the misaligned locked access.

IMPLICATION: If this erratum occurs the processor will hang. Typical usage models for the APIC address space do not use locked accesses. This erratum will not affect systems using such a model.

WORKAROUND: Ensure that all accesses to APIC space are aligned.

STATUS: For the steppings affected see the Summary Table of Changes at the beginning of this section.

A69. Potential Loss of Data Coherency During MP Data Ownership Transfer

PROBLEM: In MP systems, processors may be sharing data in different cache lines, referenced as line A and line B in the discussion below. When this erratum occurs (with the following example given for a 2-way MP system with processors noted as 'P0' and 'P1'), P0 contains a shared copy of line B in its L1. P1 has a shared copy of Line A. Each processor must manage the necessary invalidation and snoop cycles before that processor can modify and source the results of any internal writes to the other processor.

There exists a narrow timing window when, if P1 requests a copy of line B it may be supplied by P0 in an Exclusive state which allows P1 to modify the contents of the line with no further external invalidation cycles. In this narrow window P0 may also retire instructions that use the original data present before P1 performed the modification.

IMPLICATION: Multiprocessor or threaded application synchronization, required for low level data sharing, that is implemented via operating system provided synchronization constructs are not affected by this erratum. Applications that rely upon the usage of locked semaphores rather than memory ordering are also unaffected. This erratum does not affect uniprocessor systems. The existence of this erratum was discovered during ongoing design reviews but it has not as yet been reproduced in a lab environment. Intel has not identified, to date, any commercially available application or operating system software which is affected by this erratum. If the erratum does occur one processor may execute software with the stale data that was present from the previous shared state rather than the data written more recently by another processor.

WORKAROUND: Deterministic barriers beyond which program variables will not be modified can be achieved via the usage of locked semaphore operations. These should effectively prevent the occurrence of this erratum.

STATUS: For the steppings affected see the Summary Table of Changes at the beginning of this section.

A1AP. APIC Access to Cacheable Memory Causes SHUTDOWN

PROBLEM: APIC operations which access memory with any type other than uncacheable (UC) are illegal. If an APIC operation to a memory type other than UC occurs and Machine Check Exceptions (MCEs) are disabled, the processor will enter shutdown after such an access. If MCEs are enabled, an MCE will occur. However, in this circumstance, a second MCE will be signaled. The second MCE signal will cause the Pentium II processor to enter shutdown.

IMPLICATION: Recovery from a PIC access to cacheable memory will not be successful. Software that accesses only UC type memory during APIC operations will not encounter this erratum.

WORKAROUND: Ensure that the memory space to which PIC accesses can be made is marked as type UC (uncacheable) in the memory type range registers (MTRRs) to avoid this erratum.

STATUS: For the steppings affected see the Summary Table of Changes at the beginning of this section.

A2AP. 2-Way MP Systems May Hang Due to Catastrophic Errors During BSP Determination

PROBLEM: In 2-way MP systems, a catastrophic error during the bootstrap processor (BSP) determination process should cause the assertion of IERR#. If the catastrophic error is due to the APIC data bus being stuck at electrical zero, then the system hangs without asserting IERR#.

IMPLICATION: 2-way MP systems may hang during boot due to a catastrophic error. This erratum has not been observed to date in a typical commercial system, but was found during focused system testing using a grounded APIC data bus.

WORKAROUND: None identified at this time.

STATUS: For the steppings affected see the Summary Table of Changes at the beginning of this section.

A3AP. Write to Mask LVT (Programmed as EXTINT) Will Not Deassert Outstanding Interrupt

PROBLEM: If the APIC subsystem is configured in Virtual Wire Mode implemented through the local APIC (i.e., the 8259 INTR signal is connected to LINT0 and LVT1's interrupt delivery mode field is programmed as EXTINT), a write to LVT1 intended to mask interrupts will not deassert the internal interrupt source if the external LINT0 signal is already asserted. The interrupt will be erroneously posted to the Pentium II processor despite the attempt to mask it via the LVT.

IMPLICATION: Because of the masking attempt, interrupts may be generated when the system software expects no interrupts to be posted.

WORKAROUND: Software can issue a write to the 8259A interrupt mask register to deassert the LINT0 interrupt level, followed by a read to the controller to ensure that the LINT0 signal has been deasserted. Once this is ensured, software may then issue the write to mask LVT entry 1.

STATUS: For the steppings affected see the Summary Table of Changes at the beginning of this section.

DOCUMENTATION CHANGES

The Documentation Changes listed in this section apply to the *Pentium® II Processor at 233 MHz, 266 MHz, 300 MHz, and 333 MHz* datasheet, the *Pentium® II Processor at 350 MHz, 400 MHz, and 450 MHz* datasheet (Order Number 243657), the *Pentium® Pro Family Developer's Manual, Volumes 1, 2, and 3*, and the *Intel Architecture Software Developer's Manual, Volumes 1, 2, and 3*. All Documentation Changes will be incorporated into a future version of the appropriate Pentium II processor documentation.

A1. **Invalid Arithmetic Operations and Masked Responses to Them Relative to FIST/FISTP Instruction**

The *Pentium® Pro Family Developer's Manual, Volume 2: Programmer's Reference Manual*, Table 7-20, and the *Intel Architecture Software Developer's Manual, Volume 1: Basic Architecture*, Table 7-20, show "Invalid Arithmetic Operations and the Masked Responses to Them." The table entry corresponding to the FIST/FISTP condition is missing, and is shown below:

Condition	Masked Response
FIST/FISTP instruction when input operand <> MAXINT for destination operand size.	Return MAXNEG to destination operand.

When FIST/FISTP instruction is executed with input operand <> and the destination operand size is MAXINT, the floating-point zero-divide exception will return MAXNEG to the destination operand as its masked response.

A2. **FIDIV/FIDIVR m16int Description**

The *Pentium® Pro Family Developer's Manual, Volume 2: Programmer's Reference Manual*, pages 11-118 and 11-121, and the *Intel Architecture Software Developer's Manual, Volume 1: Basic Architecture*, pages 3-118 and 3-122, show in the Description column for the FIDIV m16int instruction as "Divide ST(0) by m64int by ST(0) and store the result in ST(0)" and FIDIVR m16int instruction as "Divide m64int by ST(0) and store the result in ST(0)." In both of these cases, m64int should be replaced with m16int.

A3. **PUSH Does Not Pad With Zeros**

The *Pentium® Pro Family Developer's Manual, Volume 2: Programmer's Reference Manual*, page 4-2, and the *Intel Architecture Software Developer's Manual, Volume 1: Basic Architecture*, page 4-3, contain a section regarding stack alignment. The last sentence in the first paragraph of this section, reads "If a 16-bit value is pushed onto a 32-bit wide stack, the value is automatically padded with zeros out to 32-bits." This sentence should be removed. The PUSH instruction does not pad with zeros.

A4. **DR7, Bit 10 is Reserved**

In Figure 10-1 of the *Pentium® Pro Family Developer's Manual, Volume 3: Operating Systems Writer's Manual*, and Figure 14-1 of the *Intel Architecture Software Developer's Manual, Volume 3: System Programming Guide*, bit 10 of DR7 should be "Reserved" instead of "1".

A5. Additional States That Are Not Automatically Saved and Restored

In Section 9.4.1 of the *Pentium® Pro Family Developer's Manual, Volume 3: Operating Systems Writer's Manual*, and in Section 11.4.1 of the *Intel Architecture Software Developer's Manual, Volume 3: System Programming Guide*, the end of section lists the registers that are not automatically saved and restored following an SMI and the RSM instruction, respectively. The last two paragraphs should be as follows:

The following state is not automatically saved and restored following an SMI and the RSM instruction, respectively:

- Debug registers DR0 through DR3.
- The FPU registers.
- The MTRRs.
- Control register CR2.
- The model-specific registers (for the P6 family and Pentium® processors), or test registers TR3 through TR7 (for the Pentium and Intel486™ processors).
- The state of the trap controller.
- The Machine-Check architecture registers.
- The APIC internal interrupt state (ISR, IRR, etc.).
- The Microcode Update state.

If an SMI is used to power down the processor, a power-on reset will be required before returning to SMM, which will reset much of this state back to its default values. So an SMI handler that is going to trigger power down should first read these registers listed above directly, and save them (along with the rest of RAM) to nonvolatile storage. After the power-on reset, the continuation of the SMI handler should restore these values, along with the rest of the system's state. Anytime the SMI handler changes these registers in the processor it must also save and restore them.

NOTE

A small subset of the MSRs (such as the time-stamp counter and performance-monitoring counter) are not arbitrarily writeable and therefore cannot be saved and restored. SMM-based power-down and restoration should only be performed with operating systems that do not use or rely on the values of these registers. Operating system developers should be aware of this fact and ensure that their operating-system assisted power-down and restoration software is immune to unexpected changes in these register values.

A6. S.E.C. Cartridge Mechanical Specification Corrections

In Section 4.3 of *Pentium® II Processor at 233 MHz, 266 MHz, 300 MHz, and 333 MHz* datasheet, the following corrections should be made:

4.3 Thermal Solution Attach Methods

The design of the thermal plate is intended to support two different attach methods — heatsink clips and Rivscrews*. Figure 41 shows the thermal plate and the locations of the attach features. Only one attach method should be used for any thermal solution.

4.3.1 HEATSINK CLIP ATTACH

Figure 23 and Figure 24 illustrate example clip designs to support a low profile and a full height heatsink, respectively. The clips attach the heatsink by engaging with the underside of the thermal plate. The clearance of the thermal plate to the internal processor substrate is a minimum **0.089"** (illustrated in Figure 23 and Figure 24). The clips should be designed such that they will engage within this space, and also not damage the substrate upon insertion or removal. Finally, the clips should be able to retain the heatsink onto the thermal plate through a system level mechanical shock and vibration test. The clips should also apply a high enough force to spread the interface material for the spot size selected.

4.3.2 RIVSCREW* ATTACH

The Rivscrew attach mechanism uses a specialized rivet that is inserted through a hole in the heatsink into the thermal plate. Upon insertion, a threaded fastener is formed that can be removed if necessary. For Rivscrew attachment, the minimum gap between the thermal plate and the processor substrate is **0.125"**. For use of the Advel Rivscrew (part number 1712-3510), the heatsink base thickness must be $0.140 \pm 0.010"$. See Figure 25, Figure 26 and Figure 27 for details of heatsink requirements for use with Rivscrews.

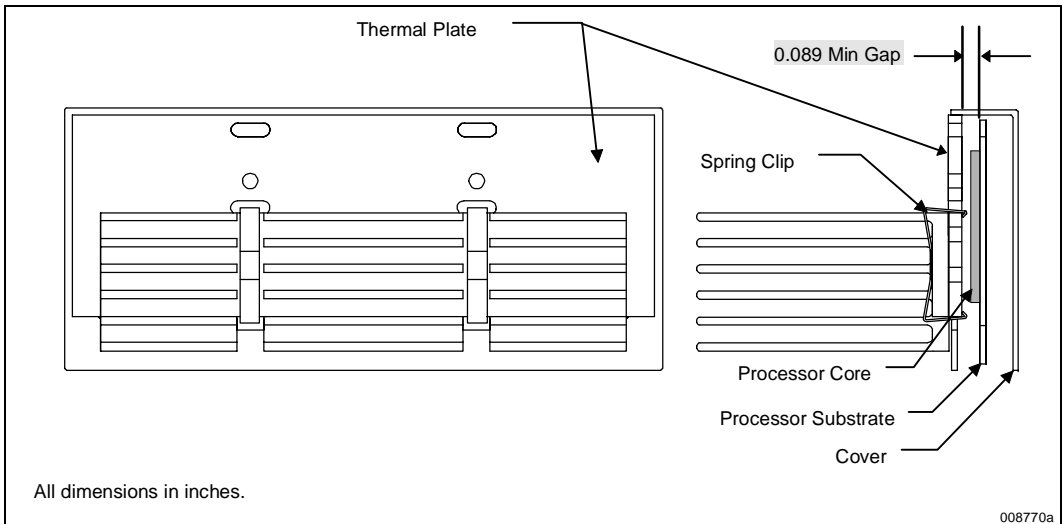


Figure 23. Processor with an Example Low Profile Heatsink Attached Using Spring Clips

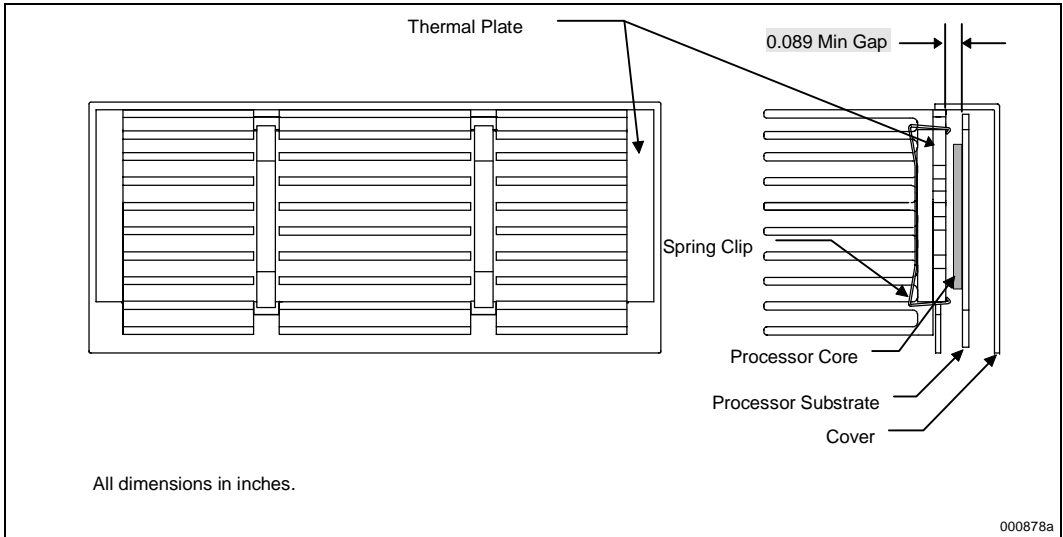


Figure 24. Processor with an Example Full Height Heatsink Attached Using Spring Clips

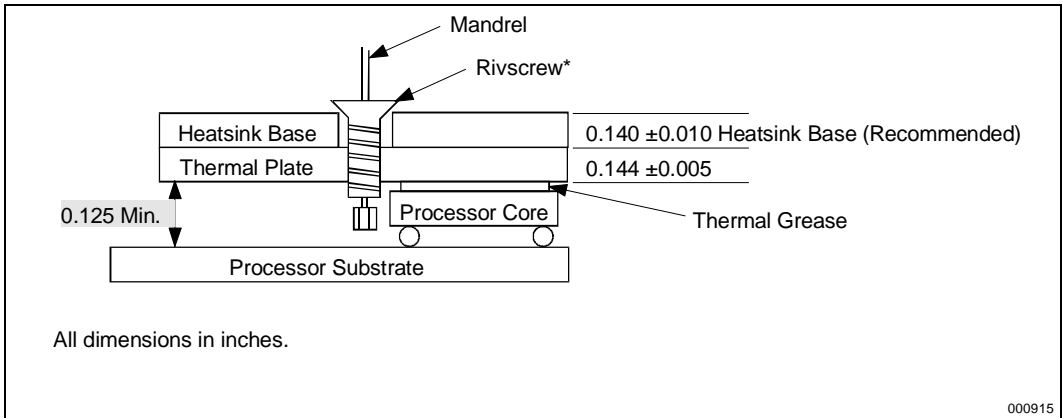


Figure 26. Heatsink Rivscrew* and Thermal Plate Recommendations and Guidelines

A7. Cache and TLB Description Correction

In the *Pentium® Pro Family Developer's Manual, Volume 2: Programmer's Reference Manual*, Table 11-10, and in the *Intel Architecture Software Developer's Manual, Volume 2: Instruction Set Reference*, Table 3-7, the correct description for descriptor value 02H should be as follows:

Descriptor Value	Cache or TLB Description
02H	Instruction TLB: 4-Mbyte Pages, fully associative, 2 entries

Also, the third bullet after the table should be as follows:

- Bytes 1, 2 and 3 of register EAX indicate that the processor contains the following:
 - 01H–A 32-entry instruction TLB (4-way set associative) for mapping 4-Kbyte pages.
 - 02H–A **2**-entry instruction TLB (**fully** associative) for mapping 4-Mbyte pages.
 - 03H–A 64-entry data TLB (4-way set associative) for mapping 4-Kbyte pages.

Finally, for the *Pentium® Pro Family Developer's Manual, Volume 3: Operating Systems Writer's Manual*, Table 11-1, the following corrections should be made:

Cache or Buffer	Characteristics
Instruction TLB (Large Pages)	2 entries, fully associative

For the *Intel Architecture Software Developer's Manual, Volume 3: System Programming Guide*, Table 9-1, the following corrections should be made:

Cache or Buffer	Characteristics
Instruction TLB (Large Pages)	<ul style="list-style-type: none"> - P6 family processors: 2 entries, fully associative. - Pentium® processor: Uses same TLB as used for 4-Kbyte pages. - Intel486™ processor: None (large pages not supported).
Data TLB (Large Pages)	<ul style="list-style-type: none"> - P6 family processors: 8 entries, 4-way set associative. - Pentium processor: 8 entries, 4-way set associative; uses same TLB as used for 4-Kbyte pages in Pentium processors with MMX™ technology. - Intel486 processor: None (large pages not supported).

A8. SMRAM State Save Map Contains Documentation Errors

In the *Pentium® Pro Family Developer's Manual, Volume 3: Operating System Writer's Manual*, Chapter 9, "System Management Mode," Table 9-1 incorrectly documents the SMBASE+Offset for IDT Base and GDT Base for Pentium II processors. In the *Intel Architecture Software Developer's Manual, Volume 3: System Programming Guide*, Chapter 11, "System Management Mode," Table 11-1 incorrectly documents the SMBASE+Offset for IDT Base and GDT Base for Pentium II processors.

The storage locations for these parameters are model specific (i.e., they may differ between the Pentium processor, the Pentium Pro processor, Pentium II processor, and other P6 family proliferations). These entries in the tables above will be changed to Reserved. Hardware and software may not rely on the contents of these Reserved regions.

A9. OF and DF of the EFLAGS Register Are Mislabeled as System Flags

In Table 3-7 of the *Pentium® Pro Family Developer's Manual, Volume 2: Programmer's Reference Manual*, and the *Intel Architecture Software Developer's Manual, Volume 1: Basic Architecture*, the Overflow Flag (OF) and

Direction Flag (DF) are both incorrectly labeled as System Flags. The Overflow Flag should be labeled as a Status Flag and the Direction Flag should be labeled as a Control Flag.

A10. CS:EIP Pushed Onto Stack Prior to Code Segment Limit Check

The *Pentium® Pro Family Developer's Manual, Volume 2: Programmer's Reference Manual*, Section 11.3, and the *Intel Architecture Software Developer's Manual, Volume 2: Instruction Set Reference*, Section 3.4, contain a detailed definition of the CALL instruction. In this definition, all instances where the instruction pointer is checked to ensure it is within the acceptable code segment limit followed by the CS:EIP register being pushed on the stack are in error. CS:EIP is pushed on the stack prior to the check of the instruction pointer. This means that in the case of a GP#(0) being generated due to an out-of-range instruction pointer, these values will be present on the stack.

A11. Corrections to Opcode Maps

In Appendix A, "Opcode Map," in the *Pentium® Pro Family Developer's Manual, Volume 3: Operating System Writer's Manual*, and in Appendix A, "Opcode Map," in the *Intel Architecture Software Developer's Manual, Volume 2: Instruction Set Reference*, are the one and two byte opcode maps. The following tables are intended to replace those tables in their entirety:

Table A-1. One-Byte Opcode Map¹

	0	1	2	3	4	5	6	7
0	ADD						PUSH	POP
	Eb,Gb	Ev,Gv	Gb,Eb	Gv,Ev	AL,Ib	eAX,Iv	ES	ES
1	ADC						PUSH	POP
	Eb,Gb	Ev,Gv	Gb,Eb	Gv,Ev	AL,Ib	eAX,Iv	SS	SS
2	AND							DAA
	Eb,Gb	Ev,Gv	Gb,Eb	Gv,Ev	AL,Ib	eAX,Iv	=ES	
3	XOR							AAA
	Eb,Gb	Ev,Gv	Gb,Eb	Gb,Ev	AL,Ib	eAX,Iv	=SS	
4	INC general register							
	eAX	eCX	eDX	eBX	eSP	eBP	eSI	eDI
5	PUSH general register							
	eAX	eCX	eDX	eBX	eSP	eBP	eSI	eDI
6	PUSHA/ PUSHAD	POPA/ POPAD	BOUND	ARPL			Operand	Address
			Gv,Ma	Ew,Gw	=FS	=GS	Size	Size
7	Short-displacement jump on condition (Jb)							
	JO	JNO	JB/JNAE/JC	JNB/ JAE/JNC	JZ/JE	JNZ/ JNE	JBE/ JNA	JNBE/ JA

Table A-1. One-Byte Opcode Map¹ (Continued)

8	Imm Group 1 ²			Imm Group 1 ²	TEST		XCHG	
	Eb,lb	Ev,lv	Ev,lb	Ev,lb	Eb,Gb	Ev,Gv	Eb,Gb	Ev,Gv
9	NOP	XCHG word or double-word register with eAX						
		eCX	eDX	eBX	eSP	eBP	eSI	eDI
A	MOV				MOVSB	MOVSW	CMP SB	CMP SW
	AL,Ob	eAX,Ov	Ob,AL	Ov,eAX	Xb,Yb	Xv,Yv	Xb,Yb	Xv,Yv
B	MOV immediate byte into byte register							
	AL	CL	DL	BL	AH	CH	DH	BH
C	Shift Group 2 ²		RET near		LES	LDS	MOV	
	Eb,lb	Ev,lb	lw		Gv,Mp	Gv,Mp	Eb,lb	Ev,lv
D	Shift Group 2 ²				AAM	AAD		XLAT/ XLATB
	Eb,1	Ev,1	Eb,CL	Ev,CL				
E	LOOPNE/ LOOPNZ	LOOPE/ LO OPZ	LOOP	JCXZ/ JECXZ	IN	OUT		
	Jb	Jb	Jb	Jb	AL,lb	eAX,lb	lb,AL	lb,eAX
F	LOCK		REPNE	REP/ REPE	HLT	CMC	Unary Group 32	
							Eb	Ev
	8	9	A	B	C	D	E	F
0	OR						PUSH	2-byte
	Eb,Gb	Ev,Gv	Gb,Eb	Gv,Ev	AL,lb	eAX,lv	CS	Escape
1	SBB						PUSH	POP
	Eb,Gb	Ev,Gv	Gb,Eb	Gv,Ev	AL,lb	eAX,lv	DS	DS
2	SUB							DAS
	Eb,Gb	Ev,Gv	Gb,Eb	Gv,Ev	AL,lb	eAX,lv		
3	CMP							AAS
	Eb,Gb	Ev,Gv	Gb,Eb	Gv,Ev	AL,lb	eAX,lv	=DS	
4	DEC General-Purpose Register							
	eAX	eCX	eDX	eBX	eSP	eBP	eSI	eDI
5	POP Into General-Purpose Register							
	eAX	eCX	eDX	eBX	eSP	eBP	eSI	eDI

Table A-1. One-Byte Opcode Map¹ (Continued)

6	PUSH	IMUL	PUSH	IMUL	INSB	INSW/D	OUTSB	OUTSW/D
	Iv	Gv,Ev,Iv	Ib	Gv,Ev,Ib	Yb,DX	Yv,DX	Dx,Xb	DX,Xv
7	Short-Displacement Jump on Condition (Jb)							
	JS	JNS	JP/JPE	JNP/JPO	JL/JNGE	JNL/JGE	JLE/JNG	JNLE/JG
8	MOV					LEA	MOV	POP
	Eb,Gb	Ev,Gv	Gb,Eb	Gv,Ev	Ew,Sw	Gv,M	Sw,Ew	Ev
9	CBW/ CWDE	CWD/ CDQ	CALL	FWAIT	PUSHF/ PUSHFD	POPF/ POPFD	SAHF	LAHF
			Ap		Fv	Fv		
A	TEST		STOS/ STOSB	STOS/STO SW/STOTS D	LODSB	LODSW/LO DSD	SCAS/ SCACSB	SCASW/ SCASD/ SCAS
	AL,Ib	eAX,Iv	Yb,AL	Yv,eAX	AL,Xb	eAX,Xv	AL,Yb	eAX,Yv
B	MOV Immediate Word or Double Into Word or Double Register							
	eAX	eCX	eDX	eBX	eSP	eBP	eSI	eDI
C	ENTER	LEAVE	RET far	RET far	INT 3	INT	INTO	IRET
	Iw, Ib		Iw			Ib		
D	ESC (Escape to Coprocessor Instruction Set)							
E	CALL	JMP			IN		OUT	
	Jv	Jv	Ap	Jb	AL,DX	eAX,DX	DX,AL	DX,eAX
F	CLC	STC	CLI	STI	CLD	STD	Group 4 ²	Group 5 ²

NOTES:

1. All blanks in the opcode map are reserved and should not be used. Do not depend on the operation of these undefined opcodes.
2. Bits 5, 4, and 3 of ModR/M byte used as an opcode extension (see Section A.4).

Table A-2. Two Byte Opcode Map (First byte is 0FH)¹

	0	1	2	3	4	5	6	7
0	Group 6 ²	Group 7 ²	LAR	LSL			CLTS	
			Gv,Ew	Gv,Ew				
1								
2	MOV							
	Rd,Cd	Rd,Cd	Cd,Rd	Dd,Rd				
3	WRMSR	RDTSC	RDMSR	RDPMC				
4	CMOVO	CMOVNO	CMOVB/ CMOVC/ CMOVNAE	CMOVAE/ CMOVNB/ CMOVNC	CMOVE/ CMOVZ	CMOVNE/C MOVNZ	CMOVBE/ CMOVNA	CMOVA/ CMOVN BE
	Gv, Ev	Gv, Ev	Gv, Ev	Gv, Ev	Gv, Ev	Gv, Ev	Gv, Ev	Gv, Ev
5								
6	PUNPCKL BW	PUNPCKL WD	PUNPCKLD Q	PACKSSD W	PCMPGTB	PCMPGTW	PCMPGT D	PACKUS WB
	Pq, Qd	Pq, Qd	Pq, Qd	Pq, Qd	Pq, Qd	Pq, Qd	Pq, Qd	Pq, Qd
7	Group A ²				PCMPEQB	PCMPEQW	PCMPEQ D	EMMS
		PSHIMW ³	PSHIMD ³	PSHIMQ ³	Pq, Qd	Pq, Qd	Pq, Qd	
8	Long-Displacement Jump on Condition (Jv)							
	JO	JNO	JB/JNAE/ JC	JAE/JNB/JN C	JE/JZ	JNE/JNZ	JBE/JNA	JA/JNBE
9	Byte Set on condition (Eb)							
	SETO	SETNO	SETB/ SETC/ SETNA	SETAE/ SETNB/ SETNC	SETE/ SETG/ SETZ	SETNE/ SETNZ	SETBE/ SETNA	SETA/ SETNBE
A	PUSH	POP	CPUID	BT	SHLD	SHLD		
	FS	FS		Ev,Gv	Ev,Gv,Ib	Ev,Gv,CL		
B	CMPXCH G	CMPXCHG	LSS	BTR	LFS	LGS	MOVZX	
	Eb,Gb	Ev,Gv	Mp	Ev,Gv	Mp	Mp	Gv,Eb	Gv,Ew
C	XADD	XADD						Group 9 ²
	Eb,Gb	Ev,Gv						
D		PSRLW	PSRLD	PSRLQ		PMULLW		

Table A-2. Two Byte Opcode Map (First byte is 0FH) ¹ (Continued)

		Pq, Qd	Pq, Qd	Pq, Qd		Pq, Qd		
E		PSRAW	PSRAD			PMULHW		
		Pq, Qd	Pq, Qd			Pq, Qd		
F		PSLLW	PSLLD	PSLLQ		PMADDWD		
		Pq, Qd	Pq, Qd	Pq, Qd		Pq, Qd		
	8	9	A	B	C	D	E	F
0	INVD	WBINVD		UD24				
1								
2								
3								
4	CMOVS	CMOVNS	CMOVP/ CMOVPE	CMOVNP/C MOVPO	CMOVL/ CMOVNGE	CMOVGE/C MOVNL	CMOVLE/ CMOVNG	CMOVG/ CMOVNL E
	Gv, Ev	Gv, Ev	Gv, Ev	Gv, Ev	Gv, Ev	Gv, Ev	Gv, Ev	Gv, Ev
5								
6	PUNPCKH BW	PUNPCKH WD	PUNPCKH DQ	PACKSSD W			MOVD	MOVQ
	Pq,Qd	Pq,Qd	Pq,Qd	Pq,Qd			Pd,Ed	Pq,Qq
7							MOVD	MOVQ
							Ed,Pd	Qq,Pq
8	Long-Displacement Jump on Condition (Jv)							
	JS	JNS	JP/JPE	JNP/JPO	JL/JNGE	JNL/JGE	JLE/JNG	JNLE/JG
	Byte set on condition (Eb)							
9	SETS	SETNS	SETP/ SETPE	SETNP/ SETPO	SETL/ SETNGE	SETNL/ SETGE	SETLE/ SETNG	SETNLE
	Eb	Eb	Eb	Eb	Eb	Eb	Eb	Eb
A	PUSH	POP	RSM	BTS	SHRD	SHRD		IMUL
	GS	GS		Ev,Gv	Ev,Gv,lb	Ev,Gv,CL		Gv,Ev
B		Invalid Opcode ⁴	Group 8 ²	BTC	BSF	BSR	MOVSX	
			Ev,lb	Ev,Gv	Gv,Ev	Gv,Ev	Gv,Eb	Gv,Ew

Table A-2. Two Byte Opcode Map (First byte is 0FH) ¹ (Continued)

C	BSWAP							
	EAX	ECX	EDX	EBX	ESP	EBP	ESI	EDI
D	PSUBUSB	PSUBUSW		PAND	PADDUSB	PADDUSW		PANDN
	Pq,Qq	Pq,Qq		Pq,Qq	Pq,Qq	Pq,Qq		Pq,Qq
E	PSUBSB	PSUBSW		POR	PADDSB	PADDSW		PXOR
	Pq,Qq	Pq,Qq		Pq,Qq	Pq,Qq	Pq,Qq		Pq,Qq
F	PSUBB	PSUBW	PSUBD		PADDB	PADDW	PADDD	
	Pq,Qq	Pq,Qq	Pq,Qq		Pq,Qq	Pq,Qq	Pq,Qq	

NOTES:

1. All blanks in the opcode map are reserved and should not be used. Do not depend on the operation of these undefined opcodes.
2. Bits 5, 4, and 3 of ModR/M byte used as an opcode extension (see Section A.4).
3. These abbreviations are not actual mnemonics. When shifting by immediate shift counts, the PSHIMD mnemonic represents the PSLLD, PSRAD, and PSRLD instructions, PSHIMW represents the PSLLW, PSRAW, and PSRLW instructions, and PSHIMQ represents the PSLLQ and PSRLQ instructions. The instructions that shift by immediate counts are differentiated by the ModR/M bytes (see Section A.4).
4. Use the 0F0B opcode (UD2 instruction) or the 0FB9H opcode when deliberately trying to generate an invalid opcode exception (#UD).

A12. MP Initialization Protocol Algorithm Correction

In Section 7.5.6 of the *Pentium® Pro Family Developer's Manual, Volume 3: Operating System Writer's Manual*, and in Section 7.6.5 of the *Intel Architecture Software Developer's Manual, Volume 3: System Programming Guide*, the algorithm for MP Initialization is defined. It is stated "the APIC hardware observes the BNR# (block next request) and BPRI# (priority agent bus request) pins to guarantee that the initial BIPI is not issued on the APIC bus until the BIST sequence is complete for all processors in the system." This is not correct. Only the observation of BNR# is required for the APIC hardware to proceed.

A13. Interrupt 13-General Protection Exception (#GP)

In Section 5.12 of the *Intel Architecture Software Developer's Manual, Volume 3: System Programming Guide*, and in Section 5.12 of the *Pentium® Pro Family Developer's Manual, Volume 3: Operating System Writer's Manual*, a description of the exception interrupts is provided. In the description section of Interrupt 13-General Protection Exception (#GP), the last bullet applies if the PAE and/or PSE flags are set, rather than just the PAE flag as reported in the documentation.

A14. Corrections to Intel Architecture Software Developer's Manual, Volume 2: Instruction Set Reference

The following typographical errors and other documentation errors will be corrected in the next revision of the *Intel Architecture Software Developer's Manual, Volume 2: Instruction Set Reference*. A list of significant changes is given below. Note that other changes may be made, and not all significant changes may be listed here.

- Page 3-79: The example for the DAA instruction is incorrect, and should read:

```
ADD AL, BL Before: AL=79H BL=35H EFLAGS(0SZAPC)=XXXXXX
```

```

DAA      After:  AL=AEH  BL=35H  EFLAGS(0SZAPC)=110000
         Before: AL=2EH  BL=35H  EFLAGS(0SZAPC)=110000
         After:  AL=04H  BL=35H  EFLAGS(0SZAPC)=X00101
    
```

- Page 3-236: The TASK-RETURN parameters are (* PE=1, VM=0, NT=1 *).
- Page 3-350: The second paragraph of the description should begin “The current **operand**-size attribute...”

A15. MCI_ADDR MSR Reference Section Correction

The first sentence of Section 16.3.2.3 of the *Pentium® Pro Family Developer's Manual, Volume 3: Operating System Writer's Manual*, and Section 12.3.2.3 of the *Intel Architecture Software Developer's Manual, Volume 3: System Programming Guide*, contain a reference to a previous section, but incorrectly identify the referenced section number. The first sentence should read: “The MCI_ADDR MSR contains the address of the code or data memory location that produced the machine-check error if the ADDR_V flag in the MCI_STATUS register is set (see Section 16.3.2.2, “MCI_STATUS MSR”).” For the *Intel Architecture Software Developer's Manual, Volume 3: System Programming Guide*, the referenced section number should be 12.3.2.2, “MCI_STATUS MSR.”

A16. FCOMI/FCOMIP/FUCOMI/FUCOMIP Setting of Flags Relative to Exceptions

Page 11-112 of the *Pentium® Pro Family Developer's Manual, Volume 2: Programmer's Reference Manual*, and page 3-112 of the *Intel Architecture Software Developer's Manual, Volume 2: Instruction Set Reference*, show a table for FCOMI/FCOMIP/FUCOMI/FUCOMIP comparison results, where the last entry in the table “Unordered” has an asterisk (*) beside it referencing a table note that reads: “Note: * Flags not set if unmasked invalid-arithmetic operand (#IA) exception is generated”; however this note should read: “Note: * Flags are set regardless, whether there is an unmasked invalid operand (#IA) exception generated or not.”

A17. MemTypeGet() Function Example

Example 9-2 of Section 9.11.7.1 of the *Intel Architecture Software Developer's Manual, Volume 3: System Programming Guide*, contains pseudocode that uses the MemTypeGet() function.

The line that reads: “IF (BASE + SIZE) wrap 4-Gbyte address space THEN return INVALID.” is incorrect. This line should read: “IF (BASE + SIZE) wrap 64-Gbyte address space THEN return INVALID.”

A18. RSVD Flag Correction

Figure 5-7 of the *Intel Architecture Software Developer's Manual, Volume 3: System Programming Guide*, contains a definition of the RSVD flag. The definition is reversed and should read as follows:

- RSVD 1 The page fault occurred because a 1 was detected in one of the reserved bit positions of a page table entry or directory entry that was marked present.
- 0 The fault was not caused by a reserved bit violation.

A19. SMRAM State Save Map Documentation Correction

In the *Intel Architecture Software Developer's Manual, Volume 3: System Programming Guide*, Chapter 11, “System Management Mode,” Section 11.4.1, a description of the register status is provided. It is stated,

“The following registers are saved (but not readable) and restored upon exiting SMM:

- Control register CR4.”

This sentence should read:

“The following registers are saved (but not readable) and restored upon exiting SMM:

- Control register CR4 (CR4 is set to “0” while in the SMM handler).”

A20. Stop-Grant State Correction

In the *Pentium® II Processor Developer's Manual*, Chapter 7, “Electrical Specifications,” Section 7.2.3, and the *Pentium® II Processor at 233 MHz, 266 MHz, 300 MHz and 333 MHz* datasheet, Section 2.2.3, and in the *Pentium® II Processor at 350 MHz, 400 MHz, and 450 MHz* datasheet (Order Number 243657),

A description of State 3, Stop-Grant State, of the stop clock state machine reads:

- “FLUSH# will be serviced during Stop-Grant state, and the processor will return to the Stop-Grant state.”

This sentence should read:

- “FLUSH# will be not be serviced during Stop-Grant state.”

A21. Correction To Stop-Grant State Definition

In the *Pentium® II Processor at 233 MHz, 266 MHz, 300 MHz and 333 MHz* datasheet, the *Pentium® II Processor at 350 MHz, 400 MHz, and 450 MHz* datasheet Stop-Grant state is defined and a description of BINIT# servicing is provided. The document currently reads:

“BINIT# will be recognized while the processor is in Stop-Grant state. If STPCLK# is still asserted at the completion of the BINIT# handler, the processor will remain in Stop-Grant mode. If the STPCLK# is not asserted at the completion of the BINIT# handler, the processor will return in normal state.”

This is incorrect and should be replaced with:

“BINIT# will not be serviced while the processor is in Stop-Grant state. The event will be latched and can be serviced by software upon exit from Stop-Grant state.”

SPECIFICATION CLARIFICATIONS

The Specification Clarifications listed in this section apply to the *Pentium® II Processor at 233 MHz, 266 MHz, 300 MHz and 333 MHz* datasheet, the *Pentium® II Processor at 350 MHz, 400 MHz, and 450 MHz* datasheet (Order Number 243657), the *Pentium® Pro Family Developer's Manual, Volumes 1, 2, and 3*, and the *Intel Architecture Software Developer's Manual, Volumes 1, 2, and 3*. All Specification Clarifications will be incorporated into a future version of the appropriate Pentium II processor documentation.

A1. *Writes to WC Memory*

Section 11.3 of the *Pentium® Pro Family Developer's Manual, Volume 3: Operating System Writer's Guide*, and Section 9.3 of the *Intel Architecture Software Developer's Manual, Volume 3: System Programming Guide*, identifies that "Writes" to a region of WC memory "may be delayed and combined in the write buffer to reduce memory accesses." This sentence should state that "Writes" to a region of WC memory "may be delayed and combined in the write buffer to reduce memory accesses. The writes may be delayed until the next occurrence of a buffer or processor serialization event, e.g., CUID execution, a read or write to uncached memory, interrupt occurrence, LOCKed instruction execution, etc., if the WC buffer is partially filled."

A2. *Multiple Processors Protocol and Restrictions*

Section 7.5.2 of the *Pentium® Pro Family Developer's Manual, Volume 3: Operating System Writer's Guide*, and Section 7.6.1 of the *Intel Architecture Software Developer's Manual, Volume 3: System Programming Guide*, contain inconsistencies which will be clarified as follows:

7.5.2. Protocol Requirements and Restrictions

The MP protocol imposes the following requirements and restrictions on the system:

- An APIC clock (APICLK) must be provided on all systems based on the P6 family processors (excluding mobile processors and modules).
- All interrupt mechanisms must be disabled for the duration of the MP protocol algorithm including the window of time between the assertion of INIT# or receipt of an INIT IPI by the application processors and the receipt of a STARTUP IPI by the application processors. That is, requests generated by interrupting devices must not be seen by the local APIC unit (on board the processor) until the completion of the algorithm. Failure to disable the interrupt mechanisms may result in processor shutdown.
- The MP protocol should be initiated only after a hardware reset. After completion of the protocol algorithm, a flag is set in the APIC base MSR of the BSP (APIC_BASE.BSP) to indicate that it is the BSP. This flag is cleared for all other processors. If a processor or the system is subject to an INIT sequence (either through the INIT# pin or an INIT IPI), then the MP protocol is not reexecuted. Instead, each processor examines its BSP flag to determine whether the processor should boot or wait for a STARTUP IPI.

A3. *NMI Handling While in SMM*

Section 9.7, "NMI Handling While in SMM," in the *Pentium® Pro Family Developer's Manual, Volume 3: Operating System Writer's Guide*, will be clarified as follows:

9.7. NMI Handling While in SMM

NMI interrupts are blocked upon entry to the SMI handler. If an NMI request occurs during the SMI handler, it is latched and serviced after the processor exits SMM. Only one NMI request will be latched during the SMI

handler. If an NMI request is pending when the processor executes the RSM instruction, the NMI is serviced before the next instruction of the interrupted code sequence.

Although the NMI requests are blocked when the CPU enters SMM, they may be enabled through software by executing an IRET/IRETD instruction. If the SMM handler requires the use of NMI interrupts, it should invoke a dummy interrupt service routine for the purpose of executing an IRET/IRETD instruction. Once an IRET/IRETD instruction is executed, NMI interrupt requests are serviced in the same “real mode” manner in which they are handled outside of SMM.

A4. Critical Sequence of Events During a Page Fault Exception

Section 3.6.4 of the *Pentium® Pro Family Developer's Manual, Volume 3: Operating System Writer's Guide*, and Section 3.6.4 of the *Intel Architecture Software Developer's Manual, Volume 3: System Programming Guide*, will be clarified as follows:

If the processor generates a page-fault exception, the operating system must carry out the following operations in this order:

1. Copy the page from disk storage into physical memory if needed.
2. Load the page address into the page-table or page-directory entry and set its present flag. Other bits, such as the dirty and accessed bits, may also be set at this time.
3. Invalidate the current page table entry in the TLB (see Section 3.7, “Translation Lookaside Buffers (TLBs)” for a discussion of TLBs and how to invalidate them).
4. Return from the page fault handler to restart the interrupted program or task.

A5. Performance-Monitoring Counter Issues

The following table replaces Table B-1 of *Pentium® Pro Family Developer's Manual, Volume 3: Operating Systems Writer's Guide*, and Table A-1 of the *Intel Architecture Software Developer's Manual, Volume 3: System Programming Guide*. The only changes to this new table are enhanced descriptions of the events counted.

Unit	Event Number	Mnemonic Event Name	Unit Mask	Description	Comments
Data Cache Unit (DCU)	43H	DATA_MEM_REFS	00H	<p>All loads from any memory type. All stores to any memory type. Each part of a split is counted separately. The internal logic counts not only external memory loads and stores, but also internal retries.</p> <p>Note: 80-bit floating-point accesses are double counted, since they are decomposed into a 16-bit exponent load and a 64-bit mantissa load. Memory accesses are only counted when they are actually performed. E.g., a load that gets squashed because a previous cache miss is outstanding to the same address, and which finally gets performed, is only counted once.</p> <p>Does not include I/O accesses, or other nonmemory accesses.</p>	
	45H	DCU_LINES_IN	00H	Total lines allocated in the DCU.	
	46H	DCU_M_LINES_IN	00H	Number of M state lines allocated in the DCU.	
	47H	DCU_M_LINES_OUT	00H	Number of M state lines evicted from the DCU. This includes evictions via snoop HITM, intervention or replacement.	
	48H	DCU_MISS_OUT-STANDING	00H	Weighted number of cycles while a DCU miss is outstanding, incremented by the	An access that also misses the L2 is short-changed by 2 cycles. (i.e., if count is N

Unit	Event Number	Mnemonic Event Name	Unit Mask	Description	Comments
				number of outstanding cache misses at any particular time. Cacheable read requests only are considered. Uncacheable requests are excluded. Read-for-ownerships are counted as well as line fills, invalidates, and stores.	cycles, should be N+2 cycles.) Subsequent loads to the same cache line will not result in any additional counts. Count value not precise, but still useful.
Instruction Fetch Unit (IFU)	80H	IFU_IFETCH	00H	Number of instruction fetches, both cacheable and noncacheable. Including UC fetches.	
	81H	IFU_IFETCH_MISSES	00H	Number of instruction fetch misses. All instruction fetches that do not hit the IFU, i.e., that produce memory requests. Includes UC accesses.	
	85H	ITLB_MISS	00H	Number of ITLB misses.	
	86H	IFU_MEM_STALL	00H	Number of cycles instruction fetch is stalled, for any reason. Includes IFU cache misses, ITLB misses, ITLB faults and other minor stalls.	
	87H	ILD_STALL	00H	Number of cycles that the instruction length decoder is stalled.	
L2 Cache ¹	28H	L2_IFETCH	MESI0FH	Number of L2 instruction fetches. This event indicates that a normal instruction fetch was received by the L2. The count includes only L2 cacheable instruction fetches; it does not include UC instruction fetches. It does not include ITLB miss accesses.	

Unit	Event Number	Mnemonic Event Name	Unit Mask	Description	Comments
	29H	L2_LD	MESI 0FH	Number of L2 data loads. This event indicates that a normal, unlocked, load memory access was received by the L2. It includes only L2 cacheable memory accesses; it does not include I/O accesses, other nonmemory accesses, or memory accesses such as UC/WT memory accesses. It does include L2 cacheable TLB miss memory accesses.	
	2AH	L2_ST	MESI 0FH	Number of L2 data stores. This event indicates that a normal, unlocked, store memory access was received by the L2. Specifically, it indicates that the DCU sent a read-for-ownership request to the L2. It also includes Invalid to Modified requests sent by the DCU to the L2. It includes only L2 cacheable store memory accesses; it does not include I/O accesses, other nonmemory accesses, or memory accesses like UC/WT stores. It includes TLB miss memory accesses.	
	24H	L2_LINES_IN	00H	Number of lines allocated in the L2.	
	26H	L2_LINES_OUT	00H	Number of lines removed from the L2 for any reason.	
	25H	L2_M_LINES_INM	00H	Number of modified lines allocated in the	

Unit	Event Number	Mnemonic Event Name	Unit Mask	Description	Comments
				L2.	
	27H	L2_M_LINES_OUTM	00H	Number of modified lines removed from the L2 for any reason.	
	2EH	L2_RQSTS	MESI 0FH	Total number of L2 requests.	
	21H	L2_ADS	00H	Number of L2 address strobes.	
	22H	L2_DBUS_BUSY	00H	Number of cycles during which the L2 cache data bus was busy.	
	23H	L2_DBUS_BUSY_RD	00H	Number of cycles during which the data bus was busy transferring read data from L2 to the processor.	
External Bus Logic (EBL) ²	62H	BUS_DRDY_CLOCKS	00H (Self) 20H (Any)	Number of clocks during which DRDY# is asserted. Essentially, utilization of the external system data bus.	Unit Mask = 00H counts bus clocks when the processor is driving DRDY#. Unit Mask = 20H counts in processor clocks when any agent is driving DRDY#.
	63H	BUS_LOCK_CLOCKS	00H (Self) 20H (Any)	Number of clocks during which LOCK# is asserted on the external system bus.	Always counts in processor clocks.
	60H	BUS_REQ_OUT-STANDING	00H (Self)	Number of bus requests outstanding. This counter is incremented by the number of cacheable read bus requests outstanding in any given cycle.	Counts only DCU full-line cacheable reads, not RFOs, writes, instruction fetches, or anything else. Counts "waiting for bus to complete" (last data chunk received).
	65H	BUS_TRAN_BRD	00H (Self) 20H (Any)	Number of burst read transactions.	
	66H	BUS_TRAN_RFO	00H (Self) 20H (Any)	Number of completed read for ownership transactions.	
	67H	BUS_	00H	Number of completed	

Unit	Event Number	Mnemonic Event Name	Unit Mask	Description	Comments
		TRANS_WB	(Self) 20H (Any)	write back transactions.	
	68H	BUS_TRAN_IFETCH	00H (Self) 20H (Any)	Number of completed instruction fetch transactions.	
	69H	BUS_TRAN_INVALID	00H (Self) 20H (Any)	Number of completed invalidate transactions.	
	6AH	BUS_TRAN_PWR	00H (Self) 20H (Any)	Number of completed partial write transactions.	
	6BH	BUS_TRANS_P	00H (Self) 20H (Any)	Number of completed partial transactions.	
	6CH	BUS_TRANS_IO	00H (Self) 20H (Any)	Number of completed I/O transactions.	
	6DH	BUS_TRAN_DEF	00H (Self) 20H (Any)	Number of completed deferred transactions.	
	6EH	BUS_TRAN_BURST	00H (Self) 20H (Any)	Number of completed burst transactions.	
	70H	BUS_TRAN_ANY	00H (Self) 20H (Any)	Number of all completed bus transactions. Address bus utilization can be calculated knowing the minimum address bus occupancy. Includes special cycles, etc.	
	6FH	BUS_TRAN_MEM	00H (Self) 20H (Any)	Number of completed memory transactions.	
	64H	BUS_DATA_RCV	00H (Self)	Number of bus clock cycles during which this processor is	

Unit	Event Number	Mnemonic Event Name	Unit Mask	Description	Comments
				receiving data.	
	61H	BUS_BNR_D RV	00H (Self)	Number of bus clock cycles during which this processor is driving the BNR# pin.	
	7AH	BUS_HIT_ DRV	00H (Self)	Number of bus clock cycles during which this processor is driving the HIT# pin.	Includes cycles due to snoop stalls. The event counts correctly, but the BPM <i>i</i> pins function as follows based on the setting of the PC bits (bit 19 in the PerfEvtSel0 and PerfEvtSel1 registers). If the core clock to bus clock ratio is 2:1 or 3:1, and a PC bit is set, the BPM <i>i</i> pins will be asserted for a single clock when the counters overflow. If the PC bit is clear, the processor toggles the BPM <i>i</i> pins when the counter overflows. If the clock ratio is not 2:1 or 3:1, the BPM <i>i</i> pins will not function for these performance-monitoring counter events.
	7BH	BUS_HITM_ DRV	00H (Self)	Number of bus clock cycles during which this processor is driving the HITM# pin.	Includes cycles due to snoop stalls. The event counts correctly, but the BPM <i>i</i> pins function as follows based on the setting of the PC bits (bit 19 in the PerfEvtSel0 and PerfEvtSel1 registers). If the core clock to bus clock ratio is 2:1 or 3:1, and a PC bit is set, the BPM <i>i</i> pins will be asserted for a single clock when the counters overflow. If

Unit	Event Number	Mnemonic Event Name	Unit Mask	Description	Comments
					the PC bit is clear, the processor toggles the BPM <i>i</i> pins when the counter overflows. If the clock ratio is not 2:1 or 3:1, the BPM <i>i</i> pins will not function for these performance-monitoring counter events.
	7EH	BUS_ SNOOP_ STALL	00H (Self)	Number of clock cycles during which the bus is snoop stalled.	
Floating Point Unit	C1H	FLOPS	00H	Number of computational floating-point operations retired. Excludes floating-point computational operations that cause traps or assists. Includes floating-point computational operations executed by the assist handler. Includes internal sub-operations of complex floating-point instructions like transcendentals. Excludes floating-point loads and stores.	Counter 0 only
	10H	FP_COMP_O PS_ EXE	00H	Number of computational floating-point operations executed. The number of FADD, FSUB, FCOM, FMULs, integer MULs and IMULs, FDIVs, FPREMs, FSQRTS, integer DIVs and IDIVs. Note not the number of cycles but, the number of operations. This event does not distinguish an FADD used in the middle of a	Counter 0 only

Unit	Event Number	Mnemonic Event Name	Unit Mask	Description	Comments
				transcendental flow from a separate FADD instruction.	
	11H	FP_ASSIST	00H	Number of floating-point exception cases handled by microcode.	Counter 1 only. This event includes counts due to speculative execution.
	12H	MUL	00H	Number of multiplies. Note: includes integer and well FP multiplies and is speculative.	Counter 1 only
	13H	DIV	00H	Number of divides. Note: includes integer and FP multiplies and is speculative.	Counter 1 only
	14H	CYCLES_DIV_BUSY	00H	Number of cycles that the divider is busy, and cannot accept new divides. Note: includes integer and FP divides, FPREM, FPSQRT, etc., and is speculative.	Counter 0 only
Memory Ordering	03H	LD_BLOCKS	00H	Number of store buffer blocks. Includes counts caused by preceding stores whose addresses are unknown, preceding stores whose addresses are known to conflict, but whose data is unknown and preceding stores that conflicts with the load, but which incompletely overlap the load.	
	04H	SB_DRAINS	00H	Number of store buffer drain cycles. Incremented during every cycle the store buffer is draining. Draining is caused by serializing operations like CPUID, synchronizing operations like XCHG, Interrupt	

Unit	Event Number	Mnemonic Event Name	Unit Mask	Description	Comments
				acknowledgment as well as other conditions such as cache flushing.	
	05H	MIS-ALIGN_MEM_REF	00H	Number of misaligned data memory references. Incremented by 1 every cycle during which either the proc load or store pipeline dispatches a misaligned uop. Counting is performed if its the first half or second half, or if it is blocked, squashed or misses. Note in this context misaligned means crossing a 64 bit boundary.	It should be noted that MISALIGN_MEM_REF is only an approximation, to the true number of misaligned memory references. The value returned is roughly proportional to the number of misaligned memory accesses, i.e., the size of the problem.
In-struction De-coding and Retirement	C0H	INST_RETIRE	00H	Number of instructions retired.	A hardware interrupt received during/after the last iteration of the REP STOS flow causes the counter to undercount by 1 instruction.
	C2H	UOPS_RETIRE	00H	Number of UOPs retired.	
	D0H	INST_DECOD-ER	00H	Number of instructions decoded.	
Inter-rupts	C8H	HW_INT_RX	00H	Number of hardware interrupts received.	
	C6H	CYCLES_INT_MASKED	00H	Number of processor cycles for which interrupts are disabled.	
	C7H	CYCLES_INT_PENDING_A ND_MASKED	00H	Number of processor cycles for which interrupts are disabled and interrupts are pending.	
Bran-ches	C4H	BR_INST_RE TIRE	00H	Number of branch instructions retired.	
	C5H	BR_MISS_P RED	00H	Number of mispredicted	

Unit	Event Number	Mnemonic Event Name	Unit Mask	Description	Comments
		RETIRED		branches retired.	
	C9H	BR_TAKEN_RETIRE	00H	Number of taken branches retired.	
	CAH	BR_MISS_PRED_TAKEN_RET	00H	Number of taken mispredictions branches retired.	
	E0H	BR_INST_DECODED	00H	Number of branch instructions decoded.	
	E2H	BTB_MISSES	00H	Number of branches that for which the BTB did not produce a prediction	
	E4H	BR_BOGUS	00H	Number of bogus branches.	
	E6H	BA-CLEAR	00H	Number of time BACLEAR is asserted. This is the number of times that a static branch prediction was made, where the branch decoder decided to make a branch prediction because the BTB did not.	
Stalls	A2H	RESOURCE_STALLS	00H	Incremented by one during every cycle that there is a resource related stall. Includes register renaming buffer entries, memory buffer entries. Does not include stalls due to bus queue full, too many cache misses, etc. In addition to resource related stalls, this event counts some other events. Includes stalls arising during branch misprediction recovery, e.g., if retirement of the mispredicted branch is delayed and stalls arising while store buffer is draining from synchronizing	

Unit	Event Number	Mnemonic Event Name	Unit Mask	Description	Comments
				operations.	
	D2H	PARTIAL_RA T_ STALLS	00H	Number of cycles or events for partial stalls. Note Includes flag partial stalls.	
Segment Register Loads	06H	SEG-MENT_ REG_ LOADS	00H	Number of segment register loads	
Clocks	79H	CPU_CLK_U N-HALTED	00H	Number of cycles during which the processor is not halted.	
MMX™ Unit	B0H	MMX_INSTR_ EXEC	00H	Number of MMX Instructions Executed	Available in Intel® Celeron™, Pentium® II and Pentium II Xeon™ processors only. Does not account for MOVQ and MOVD stores from register to memory.

NOTES:

- Several L2 cache events, where noted, can be further qualified using the Unit Mask (UMSK) field in the PerfEvtSel0 and PerfEvtSel1 registers. The lower 4 bits of the Unit Mask field are used in conjunction with L2 events to indicate the cache state or cache states involved. The Pentium® II processor identifies cache states using the “MESI” protocol and consequently each bit in the Unit Mask field represents one of the four states: UMSK[3] = M (8H) state, UMSK[2] = E (4H) state, UMSK[1] = S (2H) state, and UMSK[0] = I (1H) state. UMSK[3:0] = MESI (FH) should be used to collect data for all states; UMSK = 0H, for the applicable events, will result in nothing being counted.
- All of the external bus logic (EBL) events, except where noted, can be further qualified using the Unit Mask (UMSK) field in the PerfEvtSel0 and PerfEvtSel1 registers. Bit 5 of the UMSK field is used in conjunction with the EBL events to indicate whether the processor should count transactions that are self generated (UMSK[5] = 0) or transactions that result from any processor on the bus (UMSK[5] = 1).

A6. POP[ESP] with 16-bit Stack Size

In the *Pentium® Pro Family Developer’s Manual, Volume 2: Programmer’s Reference Manual*, and the *Intel Architecture Software Developer’s Manual, Volume 2: Instruction Set Reference*, the section regarding “POP—Pop a Value from the Stack,” the following note:

“If the ESP register is used as a base register for addressing a destination operand in memory, the POP instruction computes the effective address of the operand after it increments the ESP register.”

is incomplete, and should read as follows:

“If the ESP register is used as a base register for addressing a destination operand in memory, the POP instruction computes the effective address of the operand after it increments the ESP register. For the case of a 16-bit stack where ESP wraps to 0h as a result of the POP instruction, the resulting location of the memory write is processor family specific.”

In Section 15.12.1 of the *Pentium® Pro Family Developer's Manual, Volume 3: Operating System Writer's Guide*, and Section 17.23.1 of the *Intel Architecture Software Developer's Manual, Volume 3: System Programming Guide*, a new section will be added:

A POP-to-memory instruction, Which Uses the Stack Pointer (ESP) as a Base Register.

For a POP-to-memory instruction that meets the following conditions:

1. The stack segment size is 16-bits,
2. Any 32-bit addressing form with the SIB byte specifying ESP as the base register, and
3. The initial stack pointer is FFFCh(32-bit operand) or FFFEh (16-bit operand) and will wrap around to 0h as a result of the POP operation.

The result of the memory write is processor family specific. For example, in Pentium II and Pentium Pro processors the result of the memory write is to SS:0h plus any scaled index and displacement. In Pentium and i486™ processors, the result of the memory write may be either a stack fault (real mode or protected mode with stack segment size of 64 Kbytes), or write to SS:10000h plus any scaled index and displacement (protected mode and stack segment size exceeds 64 Kbytes).

A7. Preventing Caching

Section 11.5.2 of the *Pentium® Pro Family Developer's Manual, Volume 3: Operating System Writer's Guide*, and Section 9.5.2 of the *Intel Architecture Software Developer's Manual, Volume 3: System Programming Guide*, document the procedure to prevent the L1 and L2 caches from performing all caching operations. However, this procedure differs from that given in Section 11.11.8, "Multiple-Processor Considerations." The correct procedure that should be used is as follows:

1. Enter the no-fill cache mode. (Set the CD flag in control register CR0 to 1 and the NW flag to 0.)
2. Flush all caches using the WBINVD instruction.
3. Disable the MTRRs and set the default memory type to uncached, or set all MTRRs for the uncached memory type (see the discussion of the TYPE field and the E flag in Section 11.11.2.1, "MTRRdefType Register").

The caches must be flushed when the CD flag is cleared to insure system memory coherency. If the caches are not flushed in step 2, cache hits on reads will still occur and data will be read from valid cache lines.

A8. Paging Must Be Enabled Before Enabling the Page Global Enable Bit

In Section 2.5 of the *Intel Architecture Software Developer's Manual, Volume 3: System Programming Guide*, and in Section 2.5 of the *Pentium® Pro Family Developer's Manual, Volume 3: Operating System Writer's Manual*, the following line should be added to the text describing the Page Global Enable bit (PGE).

"In addition, the bit must not be enabled before paging is enabled via CR0.PG. Program correctness may be affected by reversing this sequence and processor performance will be impacted."

A9. PWRGOOD Inactive Pulse Width

Footnote 8 of Table 13 in the *Pentium® II Processor at 233 MHz, 266 MHz, 300 MHz, and 333 MHz* datasheet, should read as follows:

8. When driven inactive or after V_{CCORE} , V_{CCL2} , and BCLK become stable. PWRGOOD must remain below $V_{IL,max}$ from Table 7 until all the voltage planes meet the voltage tolerance specifications in Table 6 and BCLK has met the BCLK AC specifications in Table 10 for at least 10 clock cycles. PWRGOOD must rise glitch-free and monotonically to 2.5 V.

A10. Interrupt Recognition Determines Priority

The interrupt priority documented in Table 5-2 of the *Pentium® Pro Family Developer's Manual, Volume 3: Operating System Writer's Manual*, and Table 5-2 of the *Intel Architecture Software Developer's Manual, Volume 3: System Programming Guide*, reflects the order in which interrupts will be serviced upon simultaneous recognition by the processor (for example, when multiple interrupts are pending at an instruction boundary). These tables do not necessarily reflect the order in which interrupts will be recognized by the processor if received simultaneously at the processor pins.

A11. References to 2-Mbyte Pages Should Include 4-Mbyte Pages

Generically, "large pages" refers to either 2-Mbyte or 4-Mbyte pages. In Section 3.8 of the *Pentium® Pro Family Developer's Manual, Volume 3: Operating System Writer's Manual*, and Section 3.8 of the *Intel Architecture Software Developer's Manual, Volume 3: System Programming Guide*, 2-Mbyte pages are often referenced alone, when the behavior of 4-Mbyte pages is identical; these references should include all large pages.

A12. Modification of Reserved Areas in the SMRAM Saved State Map

If data is incorrectly written to reserved areas of the saved state map, the processor will enter the shutdown state. This can also occur if invalid state information is saved in the SMRAM (such as if illegal combinations of bits are written to CR0 or CR4 before an SMI is serviced). CR4 is not distinctly part of the saved state map, as implied in Section 9.3.1.1 of the *Pentium® Pro Family Developer's Manual, Volume 3: Operating System Writer's Manual*, and Section 11.3.1.1 of the *Intel Architecture Software Developer's Manual, Volume 3: System Programming Guide*.

A13. TLB Flush Necessary After PDPE Change

As described in Section 3.7, "Translation Lookaside Buffers (TLBs)," in the *Pentium® Pro Family Developer's Manual, Volume 3: Operating System Writer's Manual*, and Section 3.7 of the *Intel Architecture Software Developer's Manual, Volume 3: System Programming Guide*, the operating system is required to invalidate the corresponding entry in the TLB after any change to a page-directory or page-table entry. However, if the physical address extension (PAE) feature is enabled to use 36-bit addressing, a new table is added to the paging hierarchy, called the page directory pointer table (as per Section 3.8, "Physical Address Extension"). If an entry is changed in this table (to point to another page directory), the TLBs must then be flushed by writing to CR3.

A14. Exception Handler Error Code Bit Clarification

Section 5.10 of the *Pentium® Pro Family Developer's Manual, Volume 3: Operating System Writer's Manual*, and Section 5.11 of the *Intel Architecture Software Developer's Manual, Volume 3: System Programming Guide*, describe the bit definitions for the error code pushed onto the stack of the exception handler. The explanation of the EXT bit 0 will be changed to read as follows: External event (bit 0). When set, indicates that an event external to the program caused the exception, such as a hardware interrupt.

A15. Propagation of Page Table Entry Changes to Multiple Processors

The *Pentium® Pro Family Developer's Manual, Volume 3: Operating System Writer's Manual*, and the *Intel Architecture Software Developer's Manual, Volume 3: System Programming Guide*, describe techniques for Multiple Processor Management in Chapter 7. The following new section, which addresses TLB management in MP systems, will be inserted for clarity between Sections 7.2 and 7.3.

7.3 Propagation of Page Table Entry Changes to Multiple Processors

In a multiprocessor system, when one processor changes a page table entry or mapping, the changes must also be propagated to all of the other processors. This process is also known as "TLB Shutdown." Propagation may be done by memory based semaphores and/or interprocessor interrupts between processors. One naive but algorithmically correct TLB shutdown sequence for the Intel Architecture is:

1. Begin barrier: Stop all processors. Cause all but one to HALT or stop in a spinloop.
2. Let the active processor change the PTE(s).
3. Let all processors invalidate the PTE(s) modified in their TLBs.
4. End barrier: Resume all processors.

Alternate, performance-optimized, TLB shutdown algorithms may be developed, however, care must be taken by the developers to ensure that:

1. The differing TLB mappings are not actually used on different processors during the update process.

OR

2. The operating system is prepared to deal with the case where processor(s) are using the stale mapping during the update process.

A16. Software Initialization Requirements for FRC Mode

In the *Pentium® Pro Family Developer's Manual, Volume 3: Operating System Writer's Guide*, Section 8.4, and in the *Intel Architecture Software Developer's Manual, Volume 3: System Programming Guide*, Section 8.4, the following paragraph should be added to the end of each of the sections:

"Systems configured to implement FRC mode must write all of the processors' internal MSRs to deterministic values before performing either a read or read-modify-write operation using these registers. The following is a list of MSRs that are not initialized by the processors' reset sequences.

1. All fixed and variable MTRRs,
2. All Machine Check Architecture (MCA) status registers,
3. Microcode Update signature register, and
4. All L2 Cache initialization MSRs."

A17. Switching to Protected Mode While in SMM

Should the System Management Mode (SMM) code developer require a transition to protected mode while in SMM, a change is required to the sequence of events used to switch to protected mode as documented in Section 8.8.1 of the *Intel Architecture Software Developer's Manual, Volume 3: System Programming Guide*.

Items 3 and 4 of this section state:

3. Execute a MOV CR0 instruction that sets the PE flag (and optionally the PG flag) in control register CR0.
4. Immediately following the MOV CR0 instruction, execute a far JMP or far CALL instruction. (This operation is typically a far jump or call to the next instruction in the instruction stream.)

Random failures can occur if other instructions exist between steps 3 and 4, and failures will be readily seen in some situations such as when instructions that reference memory are inserted between steps 3 and 4 above while in System Management Mode.

SPECIFICATION CHANGES

The Specification Changes listed in this section apply to the *Pentium® II Processor at 233 MHz, 266 MHz, 300 MHz, and 333 MHz* datasheet, or the *Pentium® II Processor at 350 MHz, 400 MHz, and 450 MHz* datasheet (Order Number 243657). All Specification Changes will be incorporated into a future version of the appropriate Pentium II processor documentation.

The latest datasheet was published January 1998.

A1. *Mixing Steppings in DP Systems*

Though Intel recommends using identical steppings of processor silicon in dual processor systems whenever possible (as this is the only configuration which receives full validation across all of Intel's testing), Intel supports mixing processor steppings, and does not actively prevent various steppings of the Pentium II processor from working together in DP systems. However, since Intel cannot validate every possible combination of devices, each new processor stepping is fully validated only with the same steppings of other processors and the latest steppings of chipset components.

A requirement for mixed steppings system is that the system designer ensures that the processor with the lowest feature-set, determined by the CPUID Feature Bytes, is the Bootstrap Processor (BSP). In the event of a tie in feature-set, the tie will be resolved by selecting the BSP as the processor with the lowest model/stepping as determined by the CPUID instruction.

The following list and matrix explain the known issues with mixing steppings:

- While Intel has done nothing to prevent different frequency Pentium® II processors within a system from working together, there may be uncharacterized errata which exist in such configurations. Intel does not support these configurations. In mixed stepping systems, both processors must be run at an identical frequency (i.e., the highest frequency acceptable to all components).
- The workarounds for various errata must take all processors into account.
- Errata for all processor steppings present in a system will affect that system, unless worked around.
- Microcode Updates must be properly installed for all processors in the system regardless of stepping.
- FRC mode is not supported using a master and checker pair with different steppings or model numbers.
- Intel DOES NOT recommend mixing ECC and non-ECC processors. However, if mixed, the system BIOS should disable the ECC on the ECC supported processor to ensure consistent behavior of time-dependent software, e.g., timing loops.
- When mixing processors with different cacheable address ranges, the BIOS should ensure the system cacheable range is set to the lowest range supported by all parts, e.g., 512 MB. Addresses above the lowest cacheable range should not be sent to L2, this is accomplished by properly initializing the MTRRs. The requirements for initializing the MTRRs are described in the "Extensions to the Pentium® Pro BIOS Writer's Guide," revision 3.3, Section 2.3.1.
- As documented in the "Extensions to the Pentium® Pro BIOS Writer's Guide," in a mixed stepping environment, the BootStrap Processor (BSP) should be the lowest feature processor. Stepping mixing is permissible only if the BIOS has appropriate code to select the lowest feature BSP processor.

In the following table, "NI" implies that there are currently no known issues associated with mixing these steppings. An "X" implies that these configurations should not be used together in a system and are not supported by Intel. A number indicates a known issue, and refers to the numbered note.

DP Platform Population Matrix for the Pentium® II Processor with 66 MHz System Bus

Pentium® II Processor Stepping	266 MHz C0	300 MHz C0	233 MHz C1	266 MHz C1	300 MHz C1	266 MHz dA0	333 MHz dA0	300 MHz dA1	333 MHz dA1	266 MHz dB0	300 MHz dB0	333 MHz dB0
266-MHz C0	1	X	X	1	X	1	X	X	X	1	X	X
300-MHz C0	X	1	X	X	1	X	X	1	X	X	1	X
233-MHz C1	X	X	NI	X	X	X	X	X	X	X	X	X
266-MHz C1	1	X	X	NI	X	NI	X	X	X	NI	X	X
300-MHz C1	X	1	X	X	NI	X	X	NI	X	X	NI	X
266-MHz dA0	1	X	X	NI	X	NI	X	X	X	NI	X	X
333-MHz dA0	X	X	X	X	X	X	NI	X	NI	X	X	NI
300-MHz dA1	X	1	X	X	NI	X	X	NI	X	X	NI	X
333-MHz dA1	X	X	X	X	X	X	NI	X	NI	X	X	NI
266-MHz dB0	1	X	X	NI	X	NI	X	X	X	NI	X	X
300-MHz dB0	X	1	X	X	NI	X	X	NI	X	X	NI	X
333-MHz dB0	X	X	X	X	X	X	NI	X	NI	X	X	NI

NOTE:

1. Errata A16 and A17, as listed in the *Pentium® II Processor Specification Update*, may be problematic for DP systems which use Pentium® II processor, model 3 C0 stepping. Please see the *Pentium® II Processor Specification Update* for further information.

X = Mixing processors at different frequencies is not supported.

DP Platform Population Matrix for the Pentium® II Processor with 100 MHz System Bus

Pentium® II Processor Stepping	350 MHz dA0	350 MHz dA1	400 MHz dA1	350 MHz dB0	400 MHz dB0	450 MHz dB0	350 MHz dB1	400 MHz dB1
350 MHz dA0	NI	NI	X	NI	X	X	NI	X
350 MHz dA1	NI	NI	X	NI	X	X	NI	X
400 MHz dA1	X	X	NI	X	NI	X	X	NI
350 MHz dB0	NI	NI	X	NI	X	X	NI	X
400 MHz dB0	X	X	NI	X	NI	X	X	NI
450 MHz dB0	X	X	X	X	X	NI	X	X
350 MHz dB1	NI	NI	X	NI	X	X	NI	X
400 MHz dB1	X	X	NI	X	NI	X	X	NI

X = Mixing processors at different frequencies is not supported.

A2. System Bus Timings Changes

In Table 12 and Table 13 of *Pentium® II Processor at 233 MHz, 266 MHz, 300 MHz, and 333 MHz* datasheet, the following changes should be made:

Table 12. GTL+ Signal Groups System Bus AC Specifications^{1, 2}

T#	Parameter	Min	Max	Unit	Figure	Notes
T7:	GTL+ Output Valid Delay	1.07	6.37	ns	8	3
T8:	GTL+ Input Setup Time	1.96		ns	9	4, 5, 6
T9:	GTL+ Input Hold Time	1.53		ns	9	7
T10:	RESET# Pulse Width	1.00		ms	12	8

NOTES:

- Not 100% tested. Specified by design characterization.
- All AC timings for the GTL+ signals are referenced to the BCLK rising edge at 0.70 V at the processor edge fingers. All GTL+ signal timings (address bus, data bus, etc.) are referenced at 1.00 V at the processor edge fingers.
- Valid delay timings for these signals are specified into 50 W to 1.5 V.
- A minimum of 3 clocks must be specified between two active-to-inactive transitions of TRDY#.
- RESET# can be asserted (active) asynchronously, but must be deasserted synchronously.
- Specification is for a minimum 0.40 V swing.
- Specification is for a maximum 1.0 V swing.
- After V_{CCCORE} , V_{CCL2} and BCLK become stable.

Table 13. System Bus AC Specifications (CMOS Signal Group)^{1, 2, 3}

T#	Parameter	Min	Max	Unit	Figure	Notes
T11:	2.5 V Output Valid Delay	1.00	10.5	ns	8	4
T12:	2.5 V Input Setup Time	4.50		ns	9	5, 6
T13:	2.5 V Input Hold Time	1.50		ns	9	5
T14:	2.5 V Input Pulse Width, except PWRGOOD	2		BCLKs	8	Active and Inactive states
T14B:	LINT[1:0] Input Pulse Width	6		BCLKs	8	7
T15:	PWRGOOD Inactive Pulse Width	10		BCLKs	8 13	8

NOTES:

- Not 100% tested. Specified by design characterization.
- All AC timings for the CMOS signals are referenced to the BCLK rising edge at 0.7 V at the processor edge fingers. All CMOS signal timings (address bus, data bus, etc.) are referenced at 1.25 V at the processor edge fingers.
- These signals may be driven asynchronously, but must be driven synchronously in FRC mode.
- Valid delay timings for these signals are specified to 2.5 V +5%. See Table 3 for pull-up resistor values.
- To ensure recognition on a specific clock, the setup and hold times with respect to BCLK must be met.
- INTR and NMI are only valid during APIC disable mode. LINT[1:0]# are only valid during APIC enabled mode.
- This specification only applies when the APIC is enabled and the LINT1 or LINT0 pin is configured as an edge triggered interrupt with fixed delivery, otherwise specification T14 applies.
- When driven inactive or after V_{CCORE} , V_{CCL2} and BCLK become stable.

A3. FRCERR Pin Removed From Specification

The Pentium II processor will not use the FRCERR pin. All references to these pins will be removed from the specification. These references currently appear in the *Intel Architecture Software Developer's Manual, Volume 3: System Programming Guide*, Appendix B. These references also appear in the *Pentium® II Processor Developer's Manual*, Sections 3.2.7, 5.1.14, 7.5, 7.12 and A.1.23. Finally, these references appear in the *Pentium® II Processor at 233 MHz, 266 MHz, 300 MHz, and 333 MHz* datasheet, Sections 2.8, 2.13, and A.1.23.

A4. New Footnote for PWRGOOD Inactive Pulse Width

In Table 13 of the *Pentium® II Processor at 233 MHz, 266 MHz, 300 MHz, and 333 MHz* datasheet, the following addition should be made:

Table 13. System Bus AC Specifications (CMOS Signal Group)^{1, 2, 3}

T#	Parameter	Min	Max	Unit	Figure	Notes
T15:	PWRGOOD Inactive Pulse Width	10		BCLKs	8 13	8, 9

Also, the following footnote should be added:

- If the BCLK signal meets its AC specification within 150 ns of turning on, then the PWRGOOD Inactive Pulse Width specification (T15) is waived and BCLK may start after PWRGOOD is asserted. PWRGOOD must still remain below $V_{IL,max}$ until all the voltage planes meet the voltage tolerance specifications.

A5. PICCLK Rise and Fall Times

In Table 15 of the *Pentium® II Processor at 233 MHz, 266 MHz, 300 MHz, and 333 MHz* datasheet, the following changes should be made:

Table 15. System Bus AC Specifications (APIC Clock and APIC I/O)^{1, 2}

T#	Parameter	Min	Max	Unit	Figure	Notes
T21:	PICCLK Frequency	2.0	33.3	MHz		3
T21B:	FRC Mode BCLK to PICCLK Offset	1.0	5.0	ns	10	3
T22:	PICCLK Period	30.0	500.0	ns	7	
T23:	PICCLK High Time	12.0		ns	7	
T24:	PICCLK Low Time	12.0		ns	7	
T25:	PICCLK Rise Time	0.25	3.0	ns	7	
T26:	PICCLK Fall Time	0.25	3.0	ns	7	
T27:	PICD[1:0] Setup Time	8.5		ns	9	4
T28:	PICD[1:0] Hold Time	3.0		ns	9	4
T29:	PICD[1:0] Valid Delay	3.0	12.0	ns	8	4, 5, 6

A6. System Bus AC Specifications (Clock)

In Table 10 of the *Pentium® II Processor at 233 MHz, 266 MHz, 300 MHz, and 333 MHz* datasheet, the following changes should be made:

Table 10. System Bus AC Specifications (Clock)

T#	Parameter	Min	Nom	Max	Unit	Notes
T3:	BCLK High Time	4.44			ns	@> 2.0 V
T4:	BCLK Low Time	4.44			ns	@< 0.5 V
T5:	BCLK Rise Time	0.84		2.31	ns	(0.5 V–2.0 V)
T6:	BCLK Fall Time	0.84		2.31	ns	(2.0 V–0.5 V)

NOTES:

1. All AC timings for the GTL+ signals are referenced to the BCLK rising edge at **0.50 V** at the processor edge fingers. This reference is to account for trace length and capacitance on the processor substrate, allowing the processor core to receive the signal with a reference at 1.25 V. All GTL+ signal timings (address bus, data bus, etc.) are referenced at 1.00 V at the processor edge fingers.
2. All AC timings for the CMOS signals are referenced to the BCLK rising edge at **0.5 V** at the processor edge fingers. This reference is to account for trace length and capacitance on the processor substrate, allowing the processor core to receive the signal with a reference at 1.25 V. All CMOS signal timings (compatibility signals, etc.) are referenced at 1.25 V at the processor edge fingers.
3. The internal core clock frequency is derived from the Slot 1 processor system bus clock. The system bus clock to core clock ratio is determined during initialization as described in Section 2.5. Table 11 shows the supported ratios for each processor.
4. The BCLK period allows a +0.5 ns tolerance for clock driver variation.
5. The BCLK offset time is the absolute difference needed between the BCLK signal arriving at the Slot 1 processor edge finger at **0.5 V** vs. arriving at the core logic at 1.25 V. The positive offset is needed to account for the delay between the Slot 1 connector and processor core. The positive offset ensures both the processor core and the core logic receive the BCLK edge concurrently.
6. See Section 3.1 for Slot 1 processor system bus clock signal quality specifications.
7. Due to the difficulty of accurately measuring clock jitter in a system, it is recommended that a clock driver be used that is designed to meet the period stability specification into a test load of 10 to 20 pF. This should be measured on the **rising edges of adjacent BCLKs crossing 1.25 V at the processor core pin**. The jitter present must be accounted for as a component of BCLK timing skew between devices.
8. The clock driver's closed loop jitter bandwidth must be set low to allow any PLL-based device to track the jitter created by the clock driver. The -20 dB attenuation point, as measured into a 10 to 20 pF load, should be less than 500 kHz. This specification may be ensured by design characterization and/or measured with a spectrum analyzer.
9. Not 100% tested. Specified by design characterization as a clock driver requirement.

In Table 17 of the *Pentium® II Processor at 233 MHz, 266 MHz, 300 MHz, and 333 MHz* datasheet, the following changes should be made:

Table 17. BCLK Signal Quality Specifications

T#	Parameter	Min	Nom	Max	Unit	Figure	Notes
V1'	BCLK V _{IL}			0.5	V	7	
V2'	BCLK V _{IH}	2.0			V	7	

In Figure 6 of the *Pentium® II Processor at 233 MHz, 266 MHz, 300 MHz, and 333 MHz* datasheet, the following changes should be made:

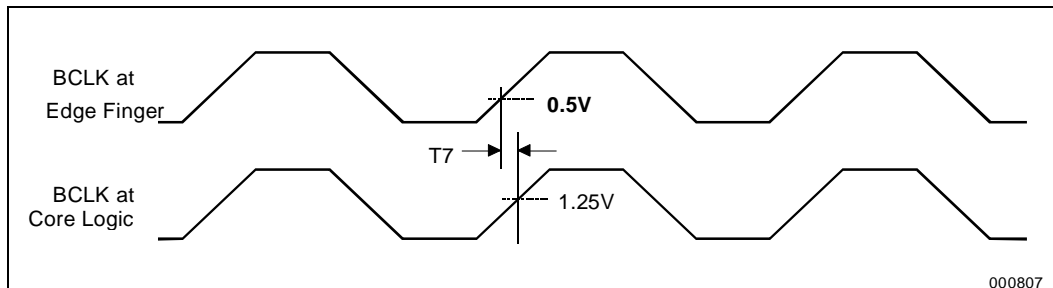


Figure 6. BCLK to Core Logic Offset

In Figure 7 of the *Pentium® II Processor at 233 MHz, 266 MHz, 300 MHz, and 333 MHz* datasheet, the following changes should be made:

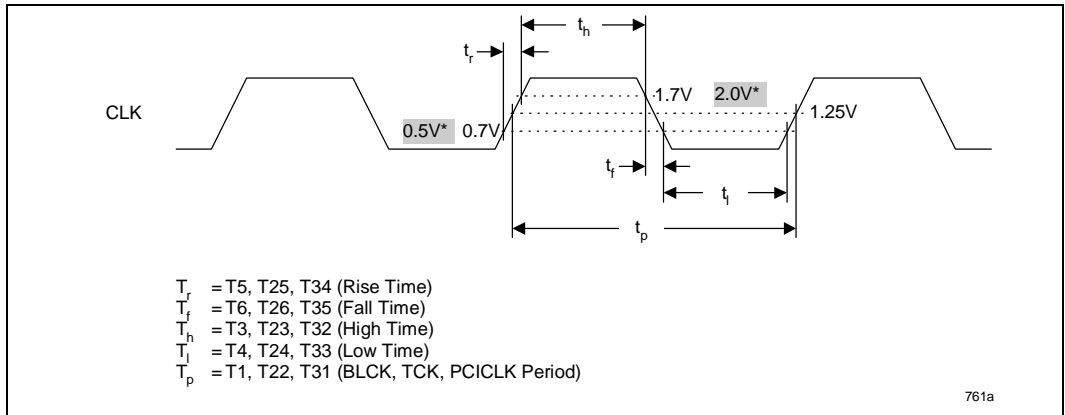


Figure 7. BCLK*, PICCLK, and TCK Generic Clock Waveform

In Tables 9 and 10 of the *Pentium® II Processor at 350 MHz, 400 MHz and 450 MHz* datasheet, the following changes should be made:

Table 9. Pentium® II Processor System Bus AC Specifications (Clock) at the Processor Edge Fingers

T#	Parameter	Min	Nom	Max	Unit	Figure	Notes
	System Bus Frequency			100.00	MHz		All processor core frequencies 4
T1'	BCLK Period	10.0				6	4, 5, 6
T1B'	SC2422 to Core Logic BCLK Offset		0.78		ns	6	Absolute Value 7,8
T2'	BCLK Period Stability						See Table 10
T3'	BCLK High Time	2.1			ns	6	@>2.0 V 6
T4'	BCLK Low Time	1.97			ns	6	@<0.5 V 6
T5'	BCLK Rise Time	0.88		2.37	ns	6	(0.5 V–2.0 V) 6, 9
T6'	BCLK Fall Time	0.88		2.37	ns	6	(2.0 V–0.5 V) 6, 9

Table 10. Pentium® II Processor System Bus AC Specifications (Clock) at Processor Core Pins

T#	Parameter	Min	Nom	Max	Unit	Figure	Notes
	System Bus Frequency			100.00	MHz		All processor core frequencies ⁴
T1:	BCLK Period	10.0				6	4, 5, 6, 11
T2:	BCLK Period Stability			±250	ps	6	6, 8, 9, 11
T3:	BCLK High Time	2.6			ns	6	@>2.0 V ⁶
T4:	BCLK Low Time	2.47			ns	6	@<0.5 V ⁶
T5:	BCLK Rise Time	0.38		1.25	ns	6	(0.5 V–2.0 V) ^{6, 10}
T6:	BCLK Fall Time	0.38		1.25	ns	6	(2.0 V–0.5 V) ^{6, 10}

A7. Thermal Design Specification

In Table 20 of the *Pentium® II Processor at 233 MHz, 266 MHz, 300 MHz, and 333 MHz* datasheet, the following changes should be made:

Table 20. Pentium® II Processor Thermal Design Specification¹

Processor Core Frequency (MHz)	L2 Cache Size (kB)	Max Processor Power ² (W)	Max Thermal Plate Power ³ (W)	Min T _{PLATE} (°C)	Max T _{PLATE} (°C)	Min T _{COVER} (°C)	Max T _{COVER} (°C)
333 ⁵	512	20.6	19.9	5	65	5	75
300 ⁵	512	18.7	18.0	5	65	5	75
300 ⁴	512	43.0	41.4	5	72	5	72
266 ⁵	512	16.8	16.1	5	65	5	75
266 ⁴	512	38.2	37.0	5	75	5	75
233 ⁴	512	34.8	33.6	5	75	5	75

NOTES:

- These values are specified at nominal V_{CC}CORE for the processor core and nominal V_{CC}L2 (3.3 V) for the L2 cache.
- Processor power is 100% of processor core and 100% L2 cache power.
- Thermal plate power is 100% of the processor core power and a percentage of the L2 cache power.
- This specification applies to CPU ID 063x.
- This specification applies to CPU ID 065x.

A8. WC Buffer Eviction Data Ordering

The *Intel Architecture Software Developer's Manual, Volume 3: System Programming Guide*, states in Section 9.3.1 that "a completely full WC [Write Combining] buffer will always be propagated as a single burst transaction with ascending data order." This statement is incorrect and should be changed to "a completely full WC buffer will always be propagated as a single burst transaction using any of the valid chunk orders."