

Sixth-Generation Superscalar Superpipelined Architecture

- Dual 7-stage integer pipelines
- High performance on-chip FPU with 64-bit interface
- Operating frequencies of 80 MHz and above
- 16-KByte write-back cache

Optimum Performance for Windows[®] 95

- Intelligent instruction dispatch
- Out-of-order completion
- Register renaming
- Data forwarding
- Branch prediction
- Speculative execution

X86 Instruction Set Compatible

- Runs Windows 95, Windows NT, DOS, UNIX, Novell, OS/2, Solaris, and others

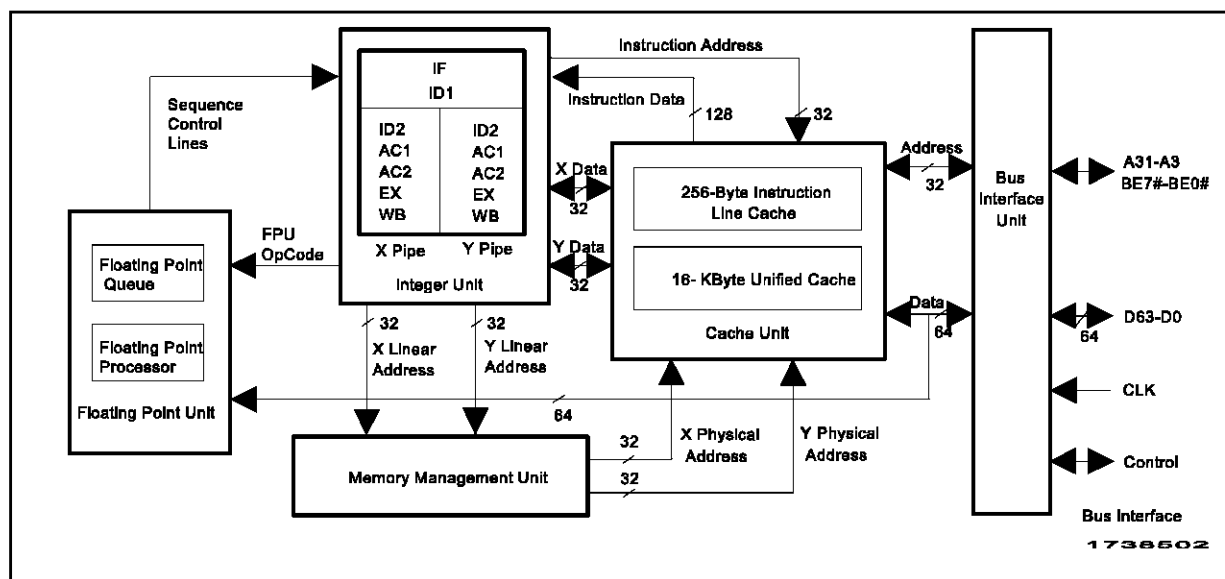
64-Bit Data Bus

- P54C socket compatible for quick time to market.

The ST6x86[™] microprocessor is a superscalar, superpipelined CPU that provides sixth-generation performance for x86 software. Since the ST6x86 CPU is fully compatible with the x86 instruction set, it is capable of executing a wide range of existing operating systems and applications, including Windows 95, DOS, Unix, Windows NT, Novell, OS/2, and Solaris. The ST6x86 CPU achieves top performance levels through the use of two optimized superpipelined integer units and an on-chip floating point unit. The superpipelined architecture reduces timing constraints and allows the ST6x86 CPU to operate at core frequencies

starting at 80 MHz. In addition, the ST6x86 CPU's integer and floating point units are optimized for maximum instruction throughput by using advanced architectural techniques, including register renaming, out-of-order execution, data forwarding, branch prediction, and speculative execution. These design innovations eliminate many data dependencies and resource conflicts that provide optimum performance for Windows 95 software.

BLOCK DIAGRAM



GENERAL INDEX

Chapter	Page
1.0 ARCHITECTURE OVERVIEW	
1.1 Major Functional Blocks	1-1
1.2 Integer Unit	1-2
1.3 Cache Units	1-12
1.4 Memory Management Unit	1-14
1.5 Floating Point Unit	1-15
1.6 Bus Interface Unit	1-15
2.0 PROGRAMMING INTERFACE	
2.1 Processor Initialization	2-1
2.2 Instruction Set Overview	2-3
2.3 Register Sets	2-4
2.4 System Register Set	2-11
2.5 Address Space	2-40
2.6 Memory Addressing Methods	2-41
2.7 Memory Caches	2-52
2.8 Interrupts and Exceptions	2-55
2.9 System Management Mode	2-63
2.10 Shutdown and Halt	2-69
2.11 Protection	2-71
2.12 Virtual 8086 Mode	2-74
2.13 Floating Point Unit Operations	2-75
3.0 ST6x86 BUS INTERFACE	
3.1 Signal Description Table	3-2
3.2 Signal Descriptions	3-6
3.3 Functional Timing	3-24
4.0 ELECTRICAL SPECIFICATIONS	
4.1 Electrical Connections	4-1
4.2 Absolute Maximum Ratings	4-2
4.3 Recommended Operating Conditions	4-3
4.4 DC Characteristics	4-4
4.5 AC Characteristics	4-5
5.0 MECHANICAL SPECIFICATIONS	
5.1 296-Pin SPGA Package	5-1
5.2 Thermal Resistances	5-6
6.0 INSTRUCTION SET	
6.1 Instruction Set Summary	6-1
6.2 General Instruction Fields	6-2
6.3 CPUID Instruction	6-11
6.4 Instruction Set Tables	6-12
6.5 FPU Clock Counts	6-40

LIST OF FIGURES

Figure	Page
Figure 1.1. Integer Unit	1-2
Figure 1.2. Cache Unit Operations	1-13
Figure 1.3. Paging Mechanism within the Memory Management Unit	1-14
Figure 2.1. Application Register Set	2-5
Figure 2.2. General Purpose Registers	2-6
Figure 2.3. Segment Selector in Protected Mode	2-7
Figure 2.4. EFLAGS Register	2-9
Figure 2.5. System Register Set	2-12
Figure 2.6. Control Registers	2-13
Figure 2.7. Descriptor Table Registers	2-15
Figure 2.8. Application and System Segment Descriptors	2-16
Figure 2.9. Gate Descriptor	2-19
Figure 2.10. Task Register	2-20
Figure 2.11. 32-Bit Task State Segment (TSS) Table	2-21
Figure 2.12. 16-Bit Task State Segment (TSS) Table	2-22
Figure 2.13. ST6x86 Configuration Control Register 0 (CCRO)	2-25
Figure 2.14. ST6x86 Configuration Control Register 1 (CCR1)	2-26
Figure 2.15. ST6x86 Configuration Control Register 2 (CCR2)	2-27
Figure 2.16. ST6x86 Configuration Control Register 3 (CCR3)	2-28
Figure 2.17. ST6x86 Configuration Control Register 4 (CCR4)	2-29
Figure 2.18. ST6x86 Configuration Control Register 5 (CCR5)	2-30
Figure 2.19. Address Region Registers (ARR0 - ARR7)	2-31
Figure 2.20. Region Control Registers (RCR0-RCR7)	2-34
Figure 2.21. Device Identification Register 0 (DIR0)	2-36
Figure 2.22. Device Identification Register 1 (DIR1)	2-36
Figure 2.23. Debug Registers	2-37
Figure 2.24. Memory and I/O Address Spaces	2-40
Figure 2.25. Offset Address Calculation	2-42
Figure 2.26. Real Mode Address Calculation	2-43
Figure 2.27. Protected Mode Address Calculation	2-43
Figure 2.28. Selector Mechanism	2-44
Figure 2.29. Paging Mechanisms	2-45
Figure 2.30. Traditional Paging Mechanism	2-46
Figure 2.31. Directory and Page Table Entry (DTE and PTE) Format	2-46
Figure 2.32. TLB Test Registers	2-48
Figure 2.33. Variable-Size Paging Mechanism	2-51
Figure 2.34. Unified Cache	2-53
Figure 2.35. Cache Test Registers	2-54
Figure 2.36. Error Code Format	2-62
Figure 2.37. System Management Memory Address Space	2-63
Figure 2.38. SMI Execution Flow Diagram	2-64
Figure 2.39. SMM Memory Space Header	2-65
Figure 2.40. SMM and Suspend Mode State Diagram	2-70
Figure 2.41. FPU Tag Word Register	2-76
Figure 2.42. FPU Status Register	2-76
Figure 2.43. FPU Mode Control Register	2-77
Figure 3.1. ST6x86 CPU Functional Signal Groupings	3-1
Figure 3.2. RESET Timing	3-24
Figure 3.3. ST6x86 CPU Bus State Diagram	3-26

LIST OF FIGURES

Figure	Page
Figure 3.4. Non-Pipelined Single Transfer Read Cycles	3-29
Figure 3.5. Non-Pipelined Single Transfer Write Cycles	3-30
Figure 3.6. Non-Pipelined Burst Read Cycles	3-32
Figure 3.7. Burst Cycle with Wait States	3-33
Figure 3.8. "1+4" Burst Read Cycle	3-34
Figure 3.9. Non-Pipelined Burst Write Cycles	3-36
Figure 3.10. Pipelined Single Transfer Read Cycles	3-37
Figure 3.11. Pipelined Burst Read Cycles	3-38
Figure 3.12. Read Cycle Followed by Pipelined Write Cycle	3-39
Figure 3.13. Interrupt Acknowledge Cycles	3-40
Figure 3.14. SMIACK# Timing	3-41
Figure 3.15. SMM I/O Trap Timing	3-42
Figure 3.16. Cache Invalidation Using FLUSH#	3-43
Figure 3.17. External Write Buffer Empty (EWBE#) Timing	3-44
Figure 3.18. Requesting Hold from an Idle Bus	3-45
Figure 3.19. Requesting Hold During a Non-Pipelined Bus Cycle	3-46
Figure 3.20. Requesting Hold During a Pipelined Bus Cycle	3-47
Figure 3.21. Back-Off Timing	3-48
Figure 3.22. HOLD Inquiry Cycle that Hits on a Modified Line	3-50
Figure 3.23. BOFF# Inquiry Cycle that Hits on a Modified Line	3-51
Figure 3.24. AHOLD Inquiry Cycle that Hits on a Modified Line	3-52
Figure 3.25. AHOLD Inquiry Cycle During a Line Fill	3-53
Figure 3.26. APCHK# Timing	3-54
Figure 3.27. BHOLD and DHOLD Timing	3-55
Figure 3.28. CPU Upper Byte Read from 32-Bit Bus Using Scatter/Gather	3-56
Figure 3.29. CPU Upper Byte Write to 32-Bit Bus Using Scatter/Gather	3-57
Figure 3.30. Bus Master Read from 64-Bit Memory to 32-Bit Bus	3-58
Figure 3.31. Bus Master Write to 64-Bit Memory from 32-Bit Bus	3-59
Figure 3.32. SUSP# Initiated Suspend Mode	3-60
Figure 3.33. HALT Initiated Suspend Mode	3-61
Figure 3.34. Stopping CLK During Suspend Mode	3-62
Figure 4.1. Drive Level and Measurement Points for Switching Characteristics	4-6
Figure 4.2. CLK Timing and Measurement Points	4-7
Figure 4.3. Output Valid Delay Timing	4-8
Figure 4.4. Output Float Delay Timing	4-9
Figure 4.5. Input Setup and Hold Timing	4-11
Figure 4.6. TCK Timing and Measurement Points	4-12
Figure 4.7. JTAG Test Timings	4-13
Figure 4.8. Test Reset Timing	4-13
Figure 5.1. 296-Pin SPGA Package Pin Assignments	5-1
Figure 5.2. 296-Pin SPGA Package	5-4
Figure 5.3. Typical HeatSink/Fan	5-7
Figure 6.1. Instruction Set Format	6-1

LIST OF TABLES

Table	Page
Table 1.1. Register Renaming with WAR Dependency	1-5
Table 1.2. Register Renaming with WAW Dependency	1-6
Table 1.3. Example of Operand Forwarding	1-8
Table 1.4. Result Forwarding Example	1-9
Table 1.5. Example of Data Bypassing	1-10
Table 2.1. Initialized Register Controls	2-2
Table 2.2. Segment Register Selection Rules	2-8
Table 2.3. EFLAGS Bit Definitions	2-10
Table 2.4. CRO Bit Definitions	2-14
Table 2.5. Effects of Various Combinations of EM, TS, and MP Bits	2-14
Table 2.6. Descriptor Table Registers and Descriptors	2-15
Table 2.7. Segment Descriptor Bit Definitions	2-17
Table 2.8. TYPE Field Definitions with DT = 0	2-17
Table 2.9. TYPE Field Definitions with DT = 1	2-18
Table 2.10. Gate Descriptor Bit Definitions	2-19
Table 2.11. ST6x86 CPU Configuration Registers	2-24
Table 2.12. CCRO Bit Definitions	2-25
Table 2.13. CCR1 Bit Definitions	2-26
Table 2.14. CCR2 Bit Definitions	2-27
Table 2.15. CCR3 Bit Definitions	2-28
Table 2.16. CCR4 Bit Definitions	2-29
Table 2.17. CCR5 Bit Definitions	2-30
Table 2.18. ARR0 - ARR7 Register Index Assignment	2-32
Table 2.19. Bit Definitions for SIZE Field	2-32
Table 2.20. RCR0-RCR7 Bit Definitions	2-34
Table 2.21. DiR0 Bit Definitions	2-36
Table 2.22. DIR 1 Bit Definitions	2-36
Table 2.23. DR6 and DR7 Debug Register Field Definitions	2-38
Table 2.24. Memory Addressing Modules	2-42
Table 2.25. Directory and Page Table Entry (DTE and PTE) Bit Definitions	2-47
Table 2.26. TLB Test Register Bit Definitions	2-49
Table 2.27. TR6 Attribute Bit Pairs	2-50
Table 2.28. TR6 Command Bits	2-50
Table 2.29. Cache Test Register Bit Definitions	2-54
Table 2.30. Interrupt Vector Assignments	2-58
Table 2.31. Interrupt and Exception Priorities	2-60
Table 2.32. Exception Changes in Real Mode	2-61
Table 2.33. Error Code Bit Definitions	2-62
Table 2.34. Requirements for Recognizing SMI# and SMINT	2-64
Table 2.35. SMM Memory Space Header	2-66
Table 2.36. SMM Instruction Set	2-67
Table 2.37. Descriptor Types Used for Control Transfer	2-73
Table 2.38. FPU Status Register Bit Definitions	2-76
Table 2.39. FPU Mode Control Register Bit Definitions	2-77
Table 3.1. ST6x86 CPU Signals Sorted by Signal Name	3-2
Table 3.2. Pins Sampled During RESET	3-6
Table 3.3. Signal States During RESET	3-7
Table 3.4. Byte Enable Signal to Data Bus Byte Correlation	3-8
Table 3.5. Parity Bit to Data Byte Correlation	3-9

LIST OF TABLES

Table	Page
Table 3.6. Bus Cycle Types	3-11
Table 3.7. Effects of WB/WT# on Cache Line State	3-14
Table 3.8. Signal States During Bus Hold	3-16
Table 3.9. Scatter/Gather Cycles	3-19
Table 3.10. Byte Enable Map for Scatter/Gather Cycles	3-20
Table 3.11. Signal States During Suspend Mode	3-22
Table 3.12. ST6x86 CPU Bus States	3-25
Table 3.13. Bus State Transitions	3-27
Table 3.14. "1+4" Burst Address Sequence	3-34
Table 3.15. Linear Burst Address Sequence	3-35
Table 4.1. Pins Connected to Internal Pull-Up and Pull Down Resistors	4-1
Table 4.2. Absolute Maximum Ratings	4-2
Table 4.3. Recommended Operating Conditions	4-3
Table 4.4. DC Characteristics (at Recommended Operating Conditions)	4-4
Table 4.5. Drive Level and Measurement Points for Switching Characteristics	4-6
Table 4.6. Clock Specifications	4-7
Table 4.7. Output Valid Delays	4-8
Table 4.8. Output Float Delays	4-9
Table 4.9. Input Setup Times	4-10
Table 4.10. Input Hold Times	4-10
Table 4.11. JTAG AC Specifications	4-12
Table 5.1. 296-Pin SPGA Package Signal Names Sorted by Pin Number	5-2
Table 5.2. 296-Pin SPGA Package Pin Numbers Sorted by Signal Name	5-3
Table 5.3. 296-Pin SPGA Package Dimensions	5-5
Table 5.4. Required θ_{CA} to Maintain 70°C Case Temperature	5-6
Table 5.5. Heatsink/Fan Dimensions	5-7
Table 6.1. Instruction Fields	6-2
Table 6.2. Instruction Prefix Summary	6-3
Table 6.3. w Field Encoding	6-4
Table 6.4. d Field Encoding	6-4
Table 6.5. s Field Encoding	6-5
Table 6.6. eee Field Encoding	6-5
Table 6.7. mod r/m Field Encoding	6-6
Table 6.8. mod r/m Field Encoding Dependent on w Field	6-7
Table 6.9. reg Field	6-7
Table 6.10. sreg3 Field Encoding	6-8
Table 6.11. sreg2 Field Encoding	6-8
Table 6.12. ss Field Encoding	6-9
Table 6.13. Index Field Encoding	6-9
Table 6.14. mod base Field Encoding	6-10
Table 6.15. CPUID Data Returned When EAX = 0	6-11
Table 6.16. CPUID Data Returned When EAX = 1	6-11
Table 6.17. CPU Clock Count Abbreviations	6-13
Table 6.18. Flag Abbreviations	6-13
Table 6.19. Action of Instruction on Flag	6-13
Table 6.20. ST6x86 CPU Instruction Set Clock Count Summary	6-14
Table 6.21. FPU Clock Count Table Abbreviations	6-40
Table 6.22. 6x86 FPU Instruction Set Summary	6-41

1.0 ARCHITECTURE OVERVIEW

The ST6x86 CPU is a leader in the sixth generation of high performance, x86-compatible microprocessors. Increased performance is accomplished by the use of superscalar and superpipelined design techniques.

The ST6x86 CPU is superscalar in that it contains two separate pipelines that allow multiple instructions to be processed at the same time. The use of advanced processing technology and the increased number of pipeline stages (superpipelining) allow the ST6x86 CPU to achieve clocks rates of 80 MHz and above.

Through the use of unique architectural features, the ST6x86 processor eliminates many data dependences and resource conflicts, resulting in optimal performance for both 16-bit and 32-bit x86 software.

The ST6x86 CPU contains two caches: a 16-KByte dual-ported unified cache and a 256-byte instruction line cache. Since the unified cache can store instructions and data in any ratio, the unified cache offers a higher hit rate than separate data and instruction caches of equal size. An increase in overall cache-to-integer unit bandwidth is achieved by supplementing the unified cache with a small, high-speed, fully associative instruction line cache. The inclusion of the instruction line cache avoids excessive conflicts between code and data accesses in the unified cache.

The on-chip FPU allows floating point instructions to execute in parallel with integer instructions and features a 64-bit data interface. The FPU incorporates a four-deep instruction queue and a four-deep store queue to facilitate parallel execution.

The ST6x86 CPU operates from a 3.52 volt power supply resulting in reasonable power consumption at all frequencies. In addition, the ST6x86 CPU incorporates a low power suspend mode, stop clock capability, and system management mode (SMM) for power sensitive applications.

1.1 Major Functional Blocks

The ST6x86 processor consists of five major functional blocks, as shown in the overall block diagram on the first page of this manual:

- Integer Unit
- Cache Unit
- Memory Management Unit
- Floating Point Unit
- Bus Interface Unit

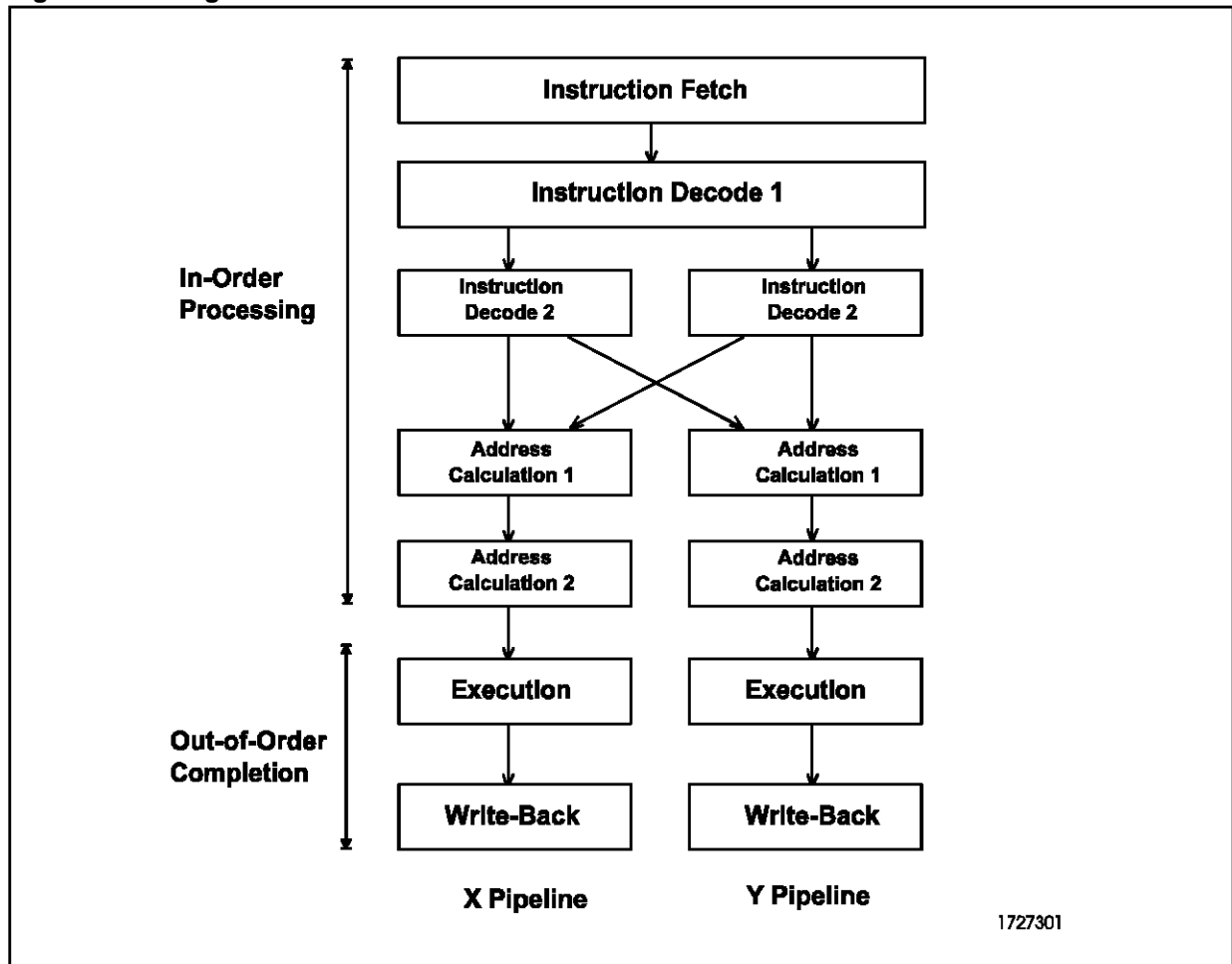
Instructions are executed in the X and Y pipelines within the Integer Unit and also in the Floating Point Unit (FPU). The Cache Unit stores the most recently used data and instructions to allow fast access to the information by the Integer Unit and FPU.

Physical addresses are calculated by the Memory Management Unit and passed to the Cache Unit and the Bus Interface Unit (BIU). The BIU provides the interface between the external system board and the processor's internal execution units.

1.2 Integer Unit

The Integer Unit (Figure 1.1) provides parallel instruction execution using two seven-stage integer pipelines, X and Y. Each of the two pipelines, X and Y, can process several instructions simultaneously.

Figure 1.1. Integer Unit



The Integer Unit consists of the following pipeline stages:

- Instruction Fetch (IF)
- Instruction Decode 1 (ID1)
- Instruction Decode 2 (ID2)
- Address Calculation 1 (AC1)
- Address Calculation 2 (AC2)
- Execute (EX)
- Write-Back (WB)

The instruction decode and address calculation functions are both divided into superpipelined stages.

1.2.1 Pipeline Stages

The **Instruction Fetch** (IF) stage, shared by both the X and Y pipelines, fetches 16 bytes of code from the cache unit in a single clock cycle. Within this section, the code stream is checked for any branch instructions that could affect normal program sequencing.

If an unconditional or conditional branch is detected, branch prediction logic within the IF stage generates a predicted target address for the instruction. The IF stage then begins fetching instructions at the predicted address.

The superpipelined Instruction Decode function contains the ID1 and ID2 stages. ID1, shared by both pipelines, evaluates the code stream provided by the IF stage and determines the number of bytes in each instruction. Up to two instructions per clock are delivered to the ID2 stages, one in each pipeline.

The ID2 stages decode instructions and send the decoded instructions to either the X or Y pipeline for execution. The particular pipeline is chosen, based on which instructions are already in each pipeline and how fast they are expected to flow through the remaining pipeline stages.

The **Address Calculation** function contains two stages, AC1 and AC2. If the instruction refers to a memory operand, the AC1 calculates a linear memory address for the instruction.

The AC2 stage performs any required memory management functions, cache accesses, and register file accesses. If a floating point instruction is detected by AC2, the instruction is sent to the FPU for processing.

The **Execute** (EX) stage executes instructions using the operands provided by the address calculation stage.

The **Write-Back** (WB) stage is the last IU stage. The WB stage stores execution results either to a register file within the IU or to a write buffer in the cache control unit.

1.2.2 Out-of-Order Processing

If an instruction executes faster than the previous instruction in the other pipeline, the instructions may complete out of order. All instructions are processed in order, up to the EX stage. While in the EX and WB stages, instructions may be completed out of order.

If there is a data dependency between two instructions, the necessary hardware interlocks are enforced to ensure correct program execution. Even though instructions may complete out of order, exceptions and writes resulting from the instructions are always issued in program order.

1.2.3 Pipeline Selection

In most cases, instructions are processed in either pipeline and without pairing constraints on the instructions. However, certain instructions are processed only in the X pipeline:

- Branch instructions
- Floating point instructions
- Exclusive instructions

Branch and floating point instructions may be paired with a second instruction in the Y pipeline.

Exclusive Instructions cannot be paired with instructions in the Y pipeline. These instructions typically require multiple memory accesses. Although exclusive instructions may not be paired, hardware from both pipelines is used to accelerate instruction completion. Listed below are the ST6x86 CPU exclusive instruction types:

- Protected mode segment loads
- Special register accesses
(Control, Debug, and Test Registers)
- String instructions
- Multiply and divide
- I/O port accesses
- Push all (PUSHA) and pop all (POPA)
- Intersegment jumps, calls, and returns

1.2.4 Data Dependency Solutions

When two instructions that are executing in parallel require access to the same data or register, one of the following types of data dependencies may occur:

- Read-After-Write (RAW)
- Write-After-Read (WAR)
- Write-After-Write (WAW)

Data dependencies typically force serialized execution of instructions. However, the ST6x86 CPU implements three mechanisms that allow parallel execution of instructions containing data dependencies:

- Register Renaming
- Data Forwarding
- Data Bypassing

The following sections provide detailed examples of these mechanisms.

1.2.4.1 Register Renaming

The ST6x86 CPU contains 32 physical general purpose registers. Each of the 32 registers in the register file can be temporarily assigned as one of the general purpose registers defined by the x86 architecture (EAX, EBX, ECX, EDX, ESI, EDI, EBP, and ESP). For each register write operation a new physical register is selected to allow previous data to be retained temporarily. Register renaming effectively removes all WAW and WAR dependencies. The programmer does not have to consider register renaming; it is completely transparent to both the operating system and application software.

Example #1 - Register Renaming Eliminates Write-After-Read (WAR) Dependency

A WAR dependency exists when the first in a pair of instructions reads a logical register, and the second instruction writes to the same logical register. This type of dependency is illustrated by the pair of instructions shown below:

X PIPE

(1) MOV BX, AX
 BX ← AX

Y PIPE

(2) ADD AX, CX
 AX ← AX + CX

Note: In this and the following examples the original instruction order is shown in parentheses.

In the absence of register renaming, the ADD instruction in the Y pipe would have to be stalled to allow the MOV instruction in the X pipe to read the AX register.

The ST6x86 CPU, however, avoids the Y pipe stall (Table 1.1). As each instruction executes, the results are placed in new physical registers to avoid the possibility of overwriting a logical register value and to allow the two instructions to complete in parallel (or out of order) rather than in sequence.

Table 1.1. Register Renaming with WAR Dependency

Instruction	Physical Register Contents					Action	
	Reg0	Reg1	Reg2	Reg3	Reg4	Pipe	
(Initial)	AX	BX	CX				
MOV BX, AX	AX		CX	BX		X	Reg3 ← Reg0
ADD AX, CX			CX	BX	AX	Y	Reg4 ← Reg0 + Reg2

Note: The representation of the MOV and ADD instructions in the final column of Table 1.1 are completely independent.

Example #2 - Register Renaming Eliminates Write-After-Write (WAW) Dependency

A WAW dependency occurs when two consecutive instructions perform writes to the same logical register. This type of dependency is illustrated by the pair of instructions shown below:

X PIPE

(1) ADD AX, BX
 $AX \leftarrow AX + BX$

Y PIPE

(2) MOV AX, [mem]
 $AX \leftarrow [mem]$

Without register renaming, the MOV instruction in the Y pipe would have to be stalled to guarantee that the ADD instruction in the X pipe would write its results to the AX register first.

The ST6x86 CPU uses register renaming and avoids the Y pipe stall. The contents of the AX and BX registers are placed in physical registers (Table 1.2). As each instruction executes, the results are placed in new physical registers to avoid the possibility of overwriting a logical register value and to allow the two instructions to complete in parallel (or out of order) rather than in sequence.

Table 1.2. Register Renaming with WAW Dependency

Instruction	Physical Register Contents				Action	
	Reg0	Reg1	Reg2	Reg3	Pipe	
(Initial)	AX	BX				
ADD AX, BX		BX	AX		X	$Reg2 \leftarrow Reg0 + Reg1$
MOV AX, [mem]		BX		AX	Y	$Reg3 \leftarrow [mem]$

Note: All subsequent reads of the logical register AX will refer to Reg 3, the result of the MOV instruction.

1.2.4.2 Data Forwarding

Register renaming alone cannot remove RAW dependencies. The ST6x86 CPU uses two types of data forwarding in conjunction with register renaming to eliminate RAW dependencies:

- Operand Forwarding
- Result Forwarding

Operand forwarding takes place when the first in a pair of instructions performs a move from register or memory, and the data that is read by the first instruction is required by the second instruction. The ST6x86 CPU performs the read operation and makes the data read available to both instructions simultaneously.

Result forwarding takes place when the first in a pair of instructions performs an operation (such as an ADD) and the result is required by the second instruction to perform a move to a register or memory. The ST6x86 CPU performs the required operation and stores the results of the operation to the destination of both instructions simultaneously.

Example #3 - Operand Forwarding Eliminates Read-After-Write (RAW) Dependency

A RAW dependency occurs when the first in a pair of instructions performs a write, and the second instruction reads the same register. This type of dependency is illustrated by the pair of instructions shown below in the X and Y pipelines:

X PIPE

(1) MOV AX, [mem]
AX ← [mem]

Y PIPE

(2) ADD BX, AX
BX ← AX + BX

The ST6x86 CPU uses operand forwarding and avoids a Y pipe stall (Table 1.3). Operand forwarding allows simultaneous execution of both instructions by first reading memory and then making the results available to both pipelines in parallel.

Operand forwarding can only occur if the first instruction does not modify its source data. In other words, the instruction is a move type instruction (for example, MOV, POP, LEA). Operand forwarding occurs for both register and memory operands. The size of the first instruction destination and the second instruction source must match.

Table 1.3. Example of Operand Forwarding

Instruction	Physical Register Contents				Action	
	Reg0	Reg1	Reg2	Reg3	Pipe	
(Initial)	AX	BX				
MOV AX, [mem]		BX	AX		X	Reg2 ← [mem]
ADD BX, AX			AX	BX	Y	Reg3 ← [mem] + Reg1

Example #4 - Result Forwarding Eliminates Read-After-Write (RAW) Dependency

In this example, a RAW dependency occurs when the first in a pair of instructions performs a write, and the second instruction reads the same register. This dependency is illustrated by the pair of instructions in the X and Y pipelines, as shown below:

X PIPE

(1) ADD AX, BX
 $AX \leftarrow AX + BX$

Y PIPE

(2) MOV [mem], AX
 $[mem] \leftarrow AX$

The ST6x86 CPU uses result forwarding and avoids a Y pipe stall (Table 1.4). Instead of transferring the contents of the AX register to memory, the result of the previous ADD instruction (Reg0 + Reg1) is written directly to memory, thereby saving a clock cycle.

The second instruction must be a move instruction and the destination of the second instruction may be either a register or memory.

Table 1.4. Result Forwarding Example

Instruction	Physical Register Contents			Action	
	Reg0	Reg1	Reg2	Pipe	
(Initial)	AX	BX			
ADD AX, BX		BX	AX	X	$Reg2 \leftarrow Reg0 + Reg1$
MOV [mem], AX		BX	AX	Y	$[mem] \leftarrow Reg0 + Reg1$

1.2.4.3 Data Bypassing

In addition to register renaming and data forwarding, the ST6x86 CPU implements a third data dependency-resolution technique called data bypassing. Data bypassing reduces the performance penalty of those memory data RAW dependencies that cannot be eliminated by data forwarding.

Data bypassing is implemented when the first in a pair of instructions writes to memory and the second instruction reads the same data from memory. The ST6x86 CPU retains the data from the first instruction and passes it to the second instruction, thereby eliminating a memory read cycle. Data bypassing only occurs for cacheable memory locations.

Example #1- Data Bypassing with Read-After-Write (RAW) Dependency

In this example, a RAW dependency occurs when the first in a pair of instructions performs a write to memory and the second instruction reads the same memory location. This dependency is illustrated by the pair of instructions in the X and Y pipelines as shown below:

X PIPE

(1) ADD [mem], AX
[mem] ← [mem] + AX

Y PIPE

(2) SUB BX, [mem]
BX ← BX - [mem]

The ST6x86 CPU uses data bypassing and stalls the Y pipe for only one clock by eliminating the Y pipe's memory read cycle (Table 1.5). Instead of reading memory in the Y pipe, the result of the previous instruction ([mem] + Reg0) is used to subtract from Reg1, thereby saving a memory access cycle.

Table 1.5. Example of Data Bypassing

Instruction	Physical Register Contents			Action	
	Reg0	Reg1	Reg2	Pipe	
(Initial)	AX	BX			
ADD [mem], AX	AX	BX		X	[mem] ← [mem] + Reg0
SUB BX, [mem]	AX		BX	Y	Reg2 ← Reg1 - {[mem] + Reg0}

1.2.5 Branch Control

Branch instructions occur on average every four to six instructions in x86-compatible programs. When the normal sequential flow of a program changes due to a branch instruction, the pipeline stages may stall while waiting for the CPU to calculate, retrieve, and decode the new instruction stream. The ST6x86 CPU minimizes the performance degradation and latency of branch instructions through the use of branch prediction and speculative execution.

1.2.5.1 Branch Prediction

The ST6x86 CPU uses a 256-entry, 4-way set associative Branch Target Buffer (BTB) to store branch target addresses and branch prediction information. During the fetch stage, the instruction stream is checked for the presence of branch instructions. If an unconditional branch instruction is encountered, the ST6x86 CPU accesses the BTB to check for the branch instruction's target address. If the branch instruction's target address is found in the BTB, the ST6x86 CPU begins fetching at the target address specified by the BTB.

In case of conditional branches, the BTB also provides history information to indicate whether the branch is more likely to be taken or not taken. If the conditional branch instruction is found in the BTB, the ST6x86 CPU begins fetching instructions at the predicted target address. If the conditional branch misses in the BTB, the ST6x86 CPU predicts that the branch will not be taken, and instruction fetching continues with the next sequential instruction. The decision to fetch the taken or not taken target address is based on a four-state branch prediction algorithm.

Once fetched, a conditional branch instruction is first decoded and then dispatched to the X pipeline only. The conditional branch instruction proceeds through the X pipeline and is then resolved in either the EX stage or the WB stage. The conditional branch is resolved in the EX stage, if the instruction responsible for setting the condition codes is completed prior to the execution of the branch. If the instruction that sets the condition codes is executed in parallel with the branch, the conditional branch instruction is resolved in the WB stage.

Correctly predicted branch instructions execute in a single core clock. If resolution of a branch indicates that a misprediction has occurred, the ST6x86 CPU flushes the pipeline and starts fetching from the correct target address. The ST6x86 CPU prefetches both the predicted and the non-predicted path for each conditional branch, thereby eliminating the cache access cycle on a misprediction. If the branch is resolved in the EX stage, the resulting misprediction latency is four cycles. If the branch is resolved in the WB stage, the latency is five cycles.

Since the target address of return (RET) instructions is dynamic rather than static, the ST6x86 CPU caches target addresses for RET instructions in an eight-entry return stack rather than in the BTB. The return address is pushed on the return stack during a CALL instruction and popped during the corresponding RET instruction.

1.2.5.2 Speculative Execution

The ST6x86 CPU is capable of speculative execution following a floating point instruction or predicted branch. Speculative execution allows the pipelines to continuously execute instructions following a branch without stalling the pipelines waiting for branch resolution. The same mechanism is used to execute floating point instructions (see Section 1.5) in parallel with integer instructions.

The ST6x86 CPU is capable of up to four levels of speculation (i.e., combinations of four conditional branches and floating point operations). After generating the fetch address using branch prediction, the CPU checkpoints the machine state (registers, flags, and processor environment), increments the speculation level counter, and begins operating on the predicted instruction stream.

Once the branch instruction is resolved, the CPU decreases the speculation level. For a correctly predicted branch, the status of the checkpointed resources is cleared. For a branch misprediction, the ST6x86 processor generates the correct fetch address and uses the checkpointed values to restore the machine state in a single clock.

In order to maintain compatibility, writes that result from speculatively executed instructions are not permitted to update the cache or external memory until the appropriate branch is resolved. Speculative execution continues until one of the following conditions occurs:

- 1) A branch or floating point operation is decoded and the speculation level is already at four.
- 2) An exception or a fault occurs.
- 3) The write buffers are full.
- 4) An attempt is made to modify a non-checkpointed resource (i.e., segment registers, system flags).

1.3 Cache Units

The ST6x86 CPU employs two caches, the Unified Cache and the Instruction Line Cache (Figure 1.2).

1.3.1 Unified Cache

The 16-KByte unified write-back cache functions as the primary data cache and as the secondary instruction cache. Configured as a four-way set-associative cache, the cache stores up to 16 KBytes of code and data in 512 lines. The cache is dual-ported and allows any two of the following operations to occur in parallel:

- Code fetch
- Data read (X pipe, Y pipeline or FPU)
- Data write (X pipe, Y pipeline or FPU)

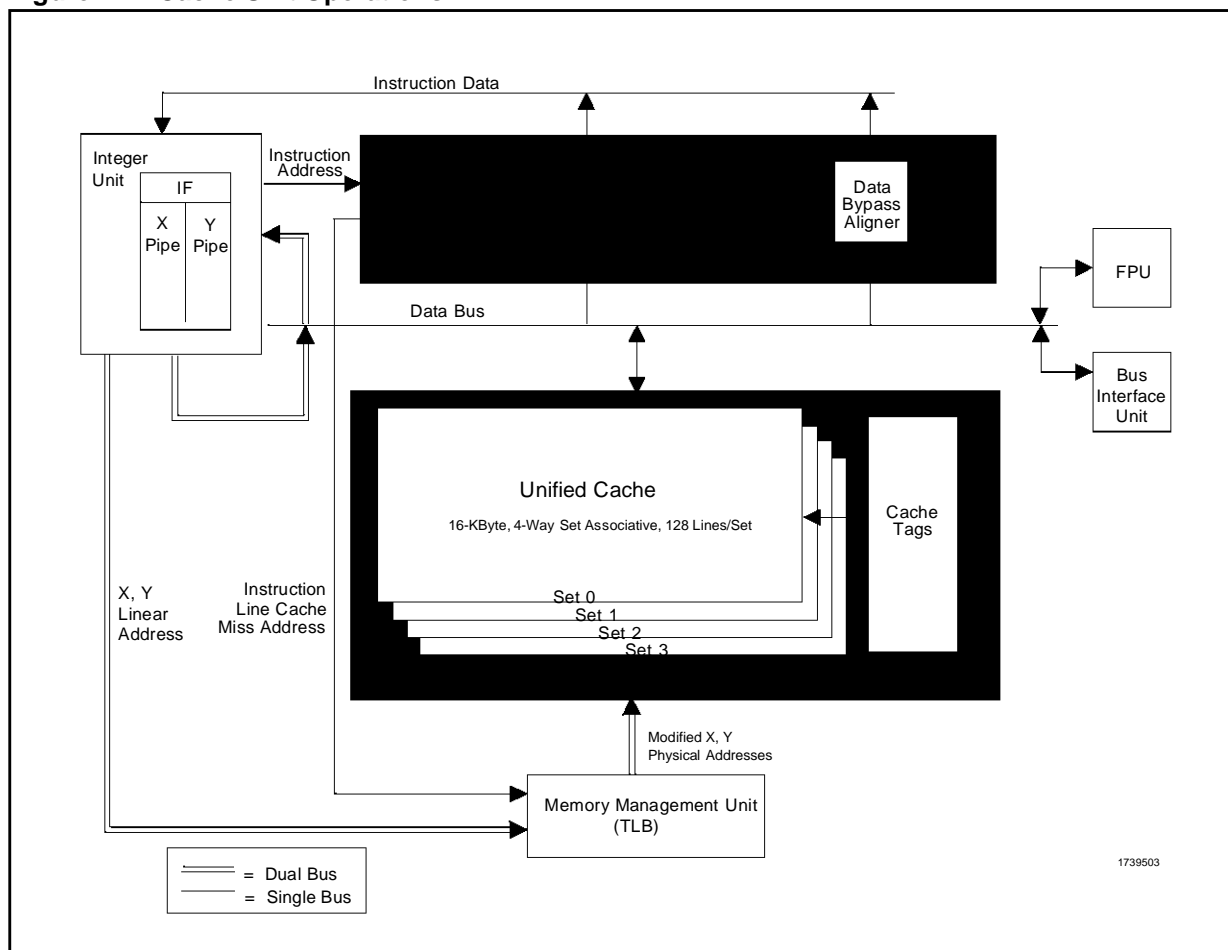
The unified cache uses a pseudo-LRU replacement algorithm and can be configured to allocate new lines on read misses only or on read and write misses. More information concerning the unified cache can be found in 2.7.1 (Page 52).

1.3.2 Instruction Line Cache

The fully associative 256-byte instruction line cache serves as the primary instruction cache. The instruction line cache is filled from the unified cache through the data bus. Fetches from the integer unit that hit in the instruction line cache do not access the unified cache. If an instruction line cache miss occurs, the instruction line data from the unified cache is transferred to the instruction line cache and the integer unit, simultaneously.

The instruction line cache uses a pseudo-LRU replacement algorithm. To ensure proper operation in the case of self-modifying code, any writes to the unified cache are checked against the contents of the instruction line cache. If a hit occurs in the instruction line cache, the appropriate line is invalidated.

Figure 1.2. Cache Unit Operations



1.4 Memory Management Unit

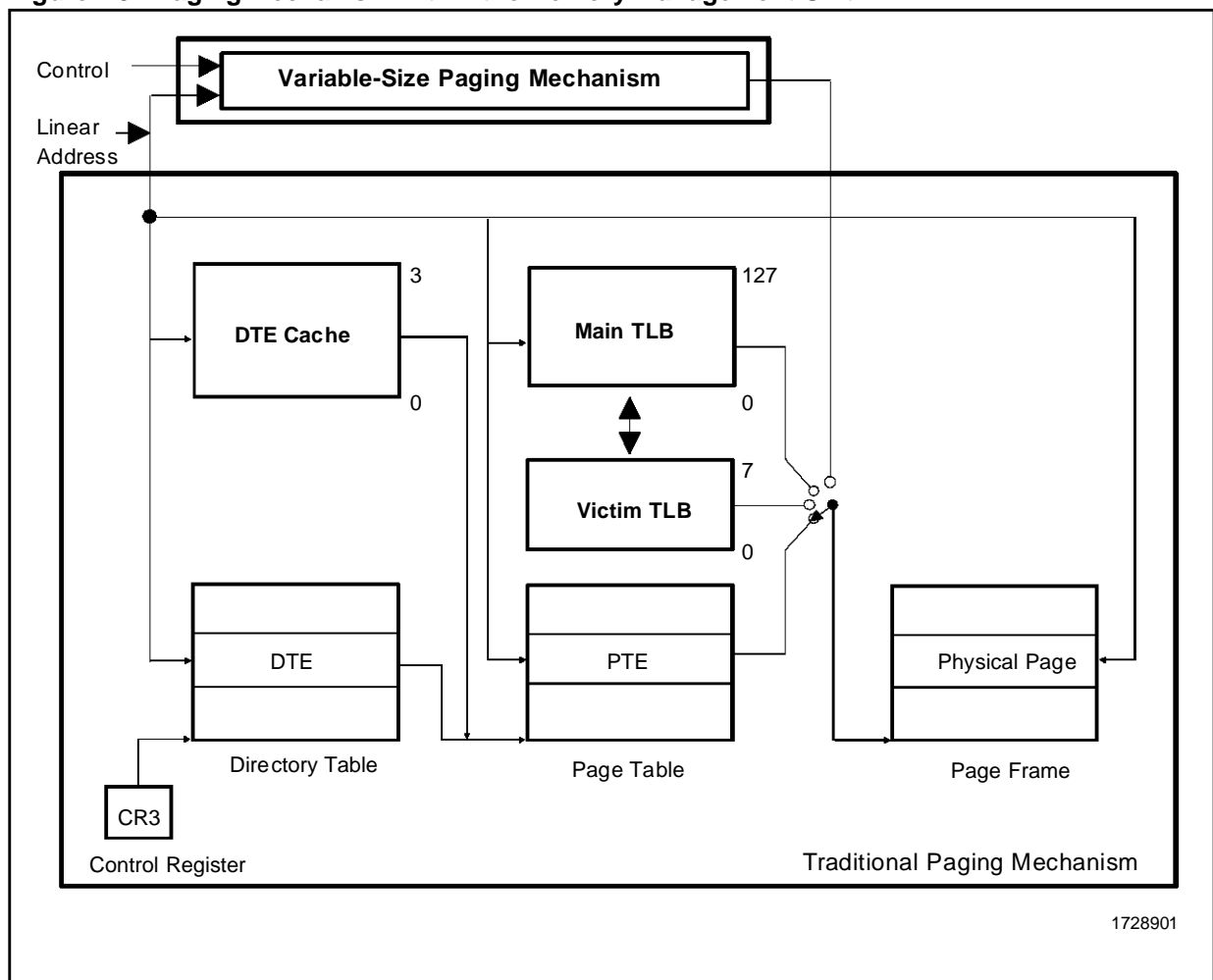
The Memory Management Unit (MMU), shown in Figure 1.3, translates the linear address supplied by the IU into a physical address to be used by the unified cache and the bus interface. Memory management procedures are x86 compatible, adhering to standard paging mechanisms.

The ST6x86 MMU includes two paging mechanisms (Figure 1.3), a traditional paging mechanism, and a ST6x86 variable-size paging mechanism.

1.4.1 Variable-Size Paging Mechanism

The ST6x86 variable-size paging mechanism allows software to map pages between 4 KBytes and 4 GBytes in size. The large contiguous memories provided by this mechanism help avoid TLB (Translation Lookaside Buffer) thrashing [see Section 2.6.4] associated with some operating systems and applications. For example, use of a single large page instead of a series of small 4-KByte pages can greatly improve performance in an application using a large video memory buffer.

Figure 1.3. Paging Mechanism within the Memory Management Unit



1728901

1.4.2 Traditional Paging Mechanism

The traditional paging mechanism has been enhanced on the ST6x86 CPU with the addition of the Directory Table Entry (DTE) cache and the Victim TLB. The main TLB (Translation Lookaside Buffer) is a direct-mapped 128-entry cache for page table entries.

The four-entry fully associative DTE cache stores the most recent DTE accesses. If a Page Table Entry (PTE) miss occurs followed by a DTE hit, only a single memory access to the PTE table is required.

The Victim TLB stores PTEs which have been displaced from the main TLB due to a TLB miss. If a PTE access occurs while the PTE is stored in the victim TLB, the PTE in the victim TLB is swapped with a PTE in the main TLB. This has the effect of selectively increasing TLB associativity. The ST6x86 CPU updates the eight-entry fully associative victim TLB on an oldest entry replacement basis.

1.5 Floating Point Unit

The ST6x86 Floating Point Unit (FPU) interfaces to the integer unit and the cache unit through a 64-bit bus. The ST6x86 FPU is x87 instruction set compatible and adheres to the IEEE-754 standard. Since most applications contain FPU instructions mixed with integer instructions, the ST6x86 FPU achieves high performance by completing integer and FPU operations in parallel.

FPU Parallel Execution

The ST6x86 CPU executes integer instructions in parallel with FPU instructions. Integer instructions may complete out of order with respect to the FPU instructions. The ST6x86 CPU maintains x86 compatibility by signaling exceptions and issuing write cycles in program order.

As previously discussed, FPU instructions are always dispatched to the integer unit's X pipeline. The address calculation stage of the X pipeline checks for memory management exceptions and accesses memory operands used by the FPU. If no exceptions are detected, the ST6x86 CPU checkpoints the state of the CPU and, during AC2, dispatches the floating point instruction to the FPU instruction queue. The ST6x86 CPU can then complete any subsequent integer instructions speculatively and out of order relative to the FPU instruction and relative to any potential FPU exceptions which may occur.

As additional FPU instructions enter the pipeline, the ST6x86 CPU dispatches up to four FPU instructions to the FPU instruction queue. The ST6x86 CPU continues executing speculatively and out of order, relative to the FPU queue, until the ST6x86 CPU encounters one of the conditions that causes speculative execution to halt. As the FPU completes instructions, the speculation level decreases and the checkpointed resources are available for reuse in subsequent operations. The ST6x86 FPU also uses a set of four write buffers to prevent stalls due to speculative writes.

1.6 Bus Interface Unit

The Bus Interface Unit (BIU) provides the signals and timing required by external circuitry. The signal descriptions and bus interface timing information is provided in Chapters 3 and 4 of this manual.

2.0 PROGRAMMING INTERFACE

In this chapter, the internal operations of the ST6x86 CPU are described mainly from an application programmer's point of view. Included in this chapter are descriptions of processor initialization, the register set, memory addressing, various types of interrupts and the shutdown and halt process. An overview of real, virtual 8086, and protected operating modes is also included in this chapter. The FPU operations are described separately at the end of the chapter.

This manual does not—and is not intended to—describe the ST6x86 microprocessor or its operations at the circuit level.

2.1 Processor Initialization

The ST6x86 CPU is initialized when the RESET signal is asserted. The processor is placed in real mode and the registers listed in Table 2.1 are set to their initialized values. RESET invalidates and disables the cache and turns off paging. When RESET is asserted, the ST6x86 CPU terminates all local bus activity and all internal execution. During the entire time that RESET is asserted, the internal pipelines are flushed and no instruction execution or bus activity occurs.

Approximately 150 to 250 external clock cycles after RESET is negated, the processor begins executing instructions at the top of physical memory (address location FFFF FFF0h). Typically, an intersegment JUMP is placed at FFFF FFF0h. This instruction will force the processor to begin execution in the lowest 1 MByte of address space.

Note: The actual time depends on the clock scaling in use. Also an additional 2^{20} clock cycles are needed if self-test is requested

Table 2.1. Initialized Register Controls

REGISTER	REGISTER NAME	INITIALIZED CONTENTS	COMMENTS
EAX	Accumulator	xxxx xxxh	0000 0000h indicates self-test passed.
EBX	Base	xxxx xxxh	
ECX	Count	xxxx xxxh	
EDX	Data	05 + Device ID	Device ID = 31h or 33h (2X clock) Device ID = 35h or 37h (3X clock)
EBP	Base Pointer	xxxx xxxh	
ESI	Source Index	xxxx xxxh	
EDI	Destination Index	xxxx xxxh	
ESP	Stack Pointer	xxxx xxxh	
EFLAGS	Flag Word	0000 0002h	
EIP	Instruction Pointer	0000 FFF0h	
ES	Extra Segment	0000h	Base address set to 0000 0000h. Limit set to FFFFh.
CS	Code Segment	F000h	Base address set to FFFF 0000h. Limit set to FFFFh.
SS	Stack Segment	0000h	Base address set to 0000 0000h. Limit set to FFFFh.
DS	Data Segment	0000h	Base address set to 0000 0000h. Limit set to FFFFh.
FS	Extra Segment	0000h	Base address set to 0000 0000h. Limit set to FFFFh.
GS	Extra Segment	0000h	Base address set to 0000 0000h. Limit set to FFFFh.
IDTR	Interrupt Descriptor Table Register	Base = 0, Limit = 3FFh	
GDTR	Global Descriptor Table Register	xxxx xxxh, xxxh	
LDTR	Local Descriptor Table Register	xxxx xxxh, xxxh	
TR	Task Register	xxxxh	
CR0	Machine Status Word	6000 0010h	
CR2	Control Register 2	xxxx xxxh	
CR3	Control Register 3	xxxx xxxh	
CCR (0-5)	Configuration Control (0-5)	00h	
ARR (0-7)	Address Region Registers (0-7)	00h	
RCR (0-7)	Region Control Registers (0-7)	00h	
DIR0	Device Identification 0	31h or 33h (2X clock) 35h or 37h (3X clock)	
DIR1	Device Identification 1	Step ID + Revision ID	
DR7	Debug Register 7	0000 0400h	

Note: x = Undefined value

2.2 Instruction Set Overview

The ST6x86 CPU instruction set performs nine types of general operations:

- Arithmetic
- Bit Manipulation
- Control Transfer
- Data Transfer
- Floating Point
- High-Level Language Support
- Operating System Support
- Shift/Rotate
- String Manipulation

All ST6x86 CPU instructions operate on as few as zero operands and as many as three operands. An NOP instruction (no operation) is an example of a zero operand instruction. Two operand instructions allow the specification of an explicit source and destination pair as part of the instruction. These two operand instructions can be divided into eight groups according to operand types:

- Register to Register
- Register to Memory
- Memory to Register
- Memory to Memory
- Register to I/O
- I/O to Register
- Immediate Data to Register
- Immediate Data to Memory

An operand can be held in the instruction itself (as in the case of an immediate operand), in one of the processor's registers or I/O ports, or in memory. An immediate operand is prefetched as part of the opcode for the instruction.

Operand lengths of 8, 16, or 32 bits are supported as well as 64- or 80-bit associated with floating point instructions. Operand lengths of 8 or 32 bits are generally used when executing code written for 386- or 486-class (32-bit code) processors. Operand lengths of 8 or 16 bits are generally used when executing existing 8086 or 80286 code (16-bit code). The default length of an operand can be overridden by placing one or more instruction prefixes in front of the opcode. For example, by using prefixes, a 32-bit operand can be used with 16-bit code, or a 16-bit operand can be used with 32-bit code.

Chapter 6 of this manual lists each instruction in the ST6x86 CPU instruction set along with the associated opcodes, execution clock counts, and effects on the FLAGS register.

2.2.1 Lock Prefix

The LOCK prefix may be placed before certain instructions that read, modify, then write back to memory. The prefix asserts the LOCK# signal to indicate to the external hardware that the CPU is in the process of running multiple indivisible memory accesses. The LOCK prefix can be used with the following instructions:

- Bit Test Instructions (BTS, BTR, BTC)
- Exchange Instructions (XADD, XCHG, CMPXCHG)
- One-operand Arithmetic and Logical Instructions (DEC, INC, NEG, NOT)
- Two-operand Arithmetic and Logical Instructions (ADC, ADD, AND, OR, SBB, SUB, XOR).

An invalid opcode exception is generated if the LOCK prefix is used with any other instruction, or with the above instructions when no write operation to memory occurs (i.e., the destination is a register). The LOCK# signal can be negated to allow weak-locking for all of memory or on a regional basis. Refer to the descriptions of the NO-LOCK bit (within CCR1) and the WL bit (within RCRx) later in this chapter.

2.3 Register Sets

From the programmer's point of view there are 58 accessible registers in the ST6x86 CPU. These registers are grouped into two sets. The application register set contains the registers frequently used by application programmers, and the system register set contains the registers typically reserved for use by operating system programmers.

The application register set is made up of general purpose registers, segment registers, a flag register, and an instruction pointer register.

The system register set is made up of the remaining registers which include control registers, system address registers, debug registers, configuration registers, and test registers.

Each of the registers is discussed in detail in the following sections.

2.3.1 Application Register Set

The application register set, Figure 2.1 consists of the registers most often used by the applications programmer. These registers are generally accessible and are not protected from read or write access.

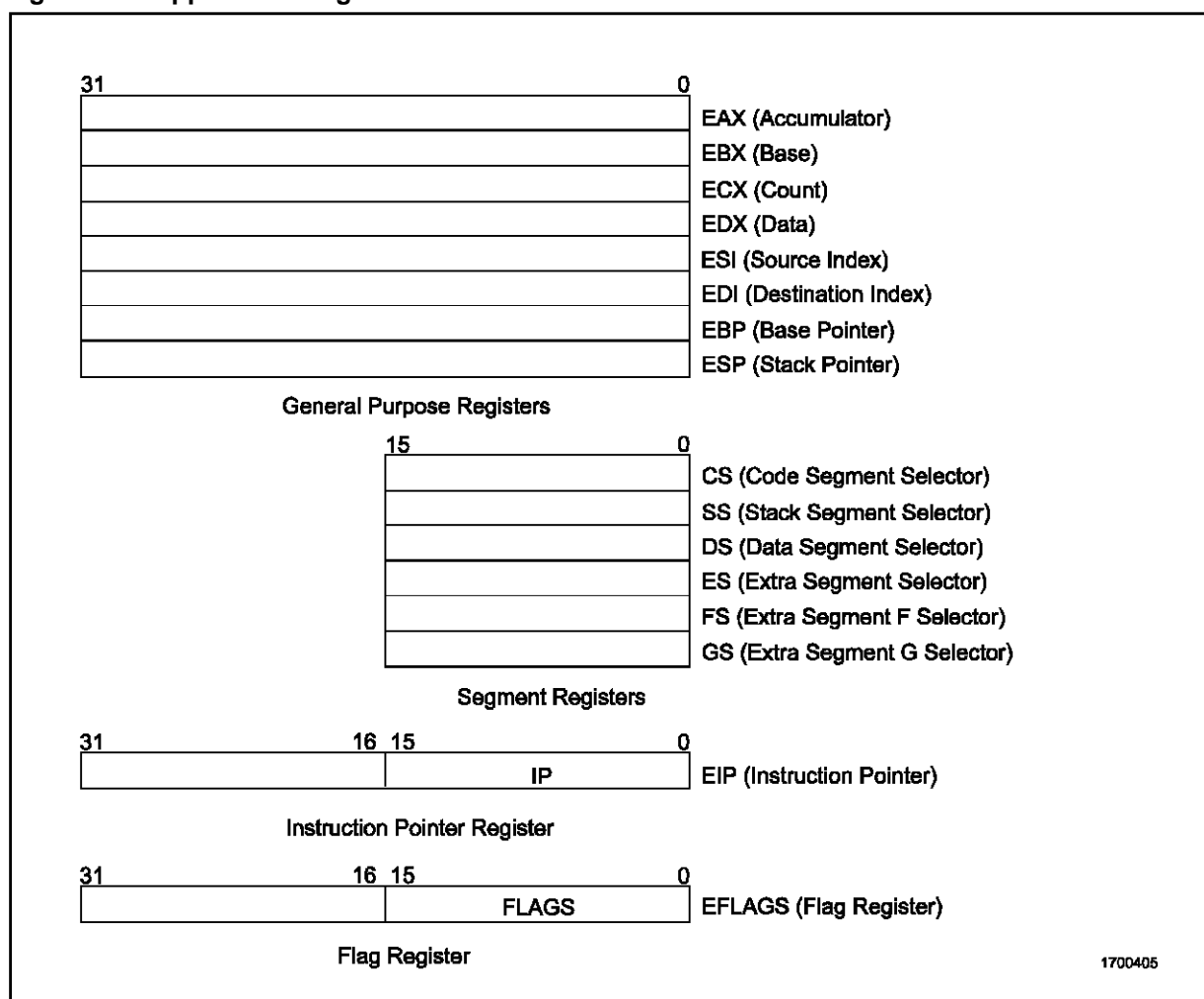
The **General Purpose Register** contents are frequently modified by assembly language instructions and typically contain arithmetic and logical instruction operands.

Segment Registers in real mode contain the base address for each segment. In protected mode the segment registers contain segment selectors. The segment selectors provide indexing for tables (located in memory) that contain the base address and limit for each segment, as well as access control information.

The **Flag Register** contains control bits used to reflect the status of previously executed instructions. This register also contains control bits that affect the operation of some instructions.

The **Instruction Pointer** register points to the next instruction that the processor will execute. This register is automatically incremented by the processor as execution progresses.

Figure 2.1. Application Register Set



2.3.2 General Purpose Registers

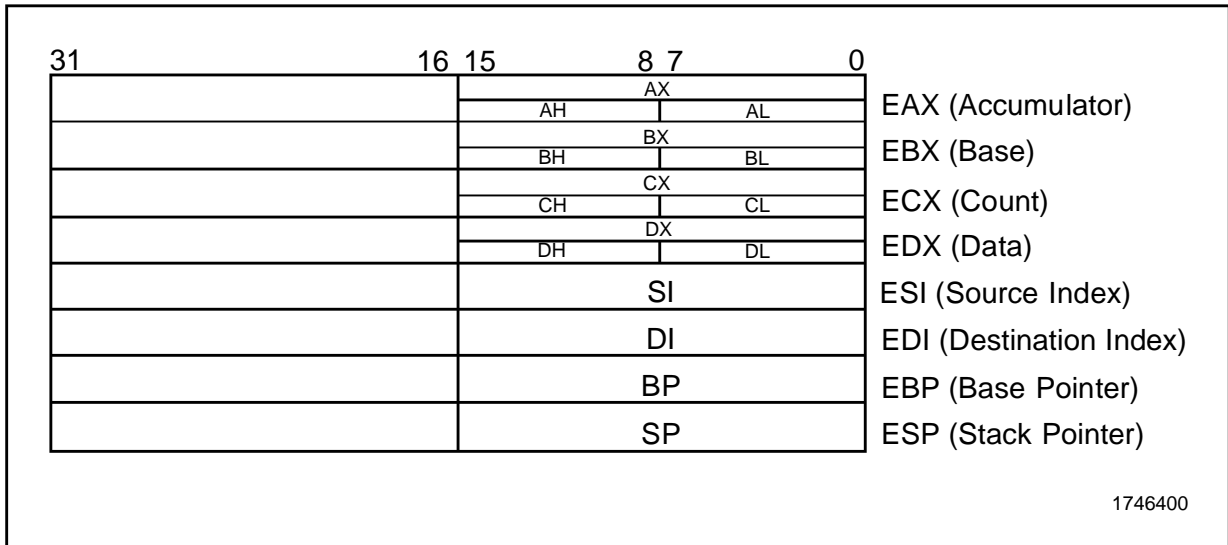
The general purpose registers are divided into four data registers, two pointer registers, and two index registers as shown in (Figure 2.2).

The **Data Registers** are used by the applications programmer to manipulate data structures and to hold the results of logical and arithmetic operations. Different portions of the general data registers can be addressed by using different names.

An "E" prefix identifies the complete 32-bit register. An "X" suffix without the "E" prefix identifies the lower 16 bits of the register.

The lower two bytes of a data register can be addressed with an "H" suffix (identifies the upper byte) or an "L" suffix (identifies the lower byte). The `_L` and `_H` portions of a data registers act as independent registers. For example, if the AH register is written to by an instruction, the AL register bits remain unchanged.

Figure 2.2. General Purpose Registers



The **Pointer and Index Registers** are listed below.

- SI or ESI Source Index
- DI or EDI Destination Index
- SP or ESP Stack Pointer
- BP or EBP Base Pointer

These registers can be addressed as 16- or 32-bit registers, with the "E" prefix indicating 32 bits. The pointer and index registers can be used as general purpose registers, however, some instructions use a fixed assignment of these registers. For example, repeated string operations always use ESI as the source pointer, EDI as the destination pointer, and ECX as the counter. The instructions using fixed registers include multiply and divide, I/O access, string operations, translate, loop, variable shift and rotate, and stack operations.

The ST6x86 CPU processor implements a stack using the ESP register. This stack is accessed during the PUSH and POP instructions, procedure calls, procedure returns, interrupts, exceptions, and interrupt/exception returns.

The microprocessor automatically adjusts the value of the ESP during operation of these instructions. The EBP register may be used to reference data passed on the stack during procedure calls. Local data may also be placed on the stack and referenced relative to BP. This register provides a mechanism to access stack data in high-level languages.

2.3.3 Segment Registers and Selectors

Segmentation provides a means of defining data structures inside the memory space of the micro-processor. There are three basic types of segments: code, data, and stack. Segments are used automatically by the processor to determine the location in memory of code, data, and stack references.

There are six 16-bit segment registers:

CS	Code Segment
DS	Data Segment
ES	Extra Segment
SS	Stack Segment
FS	Additional Data Segment
GS	Additional Data Segment.

In real and virtual 8086 operating modes, a segment register holds a 16-bit segment base. The 16-bit segment is multiplied by 16 and a 16-bit or 32-bit offset is then added to it to create a linear address. The offset size is dependent on the cur-

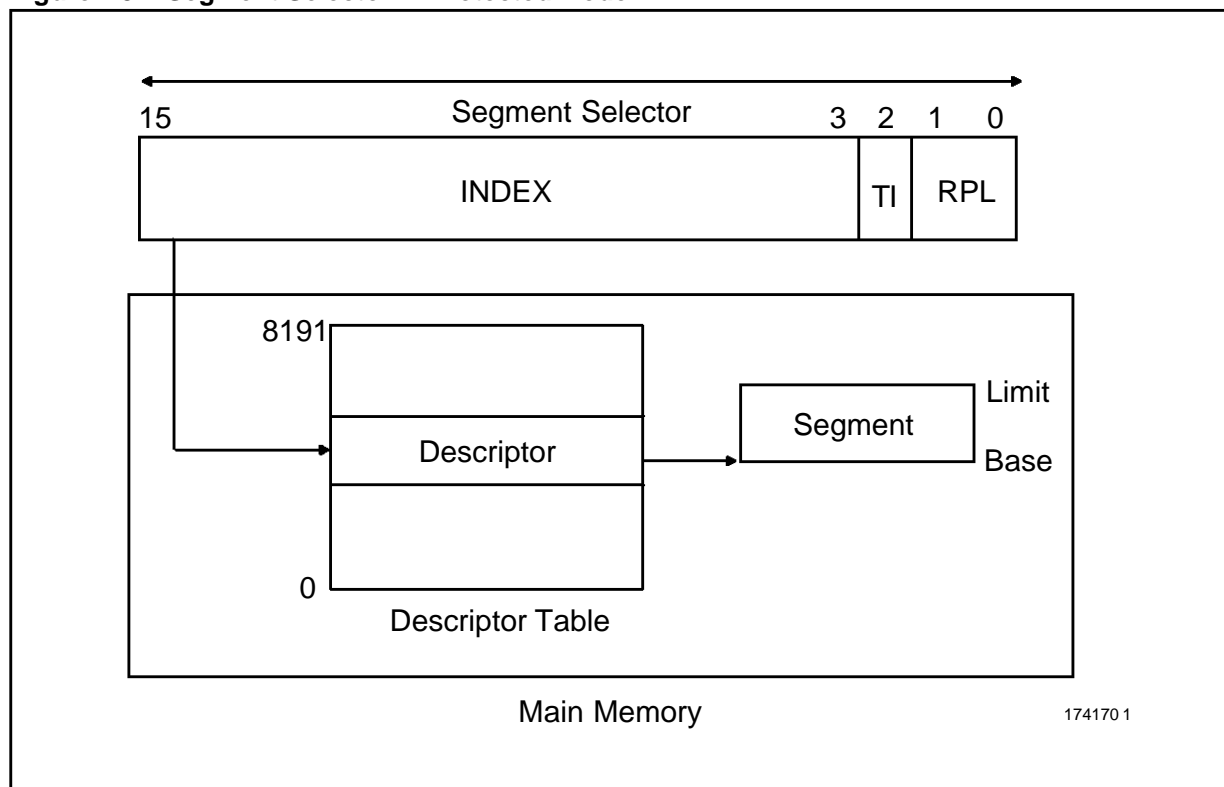
rent address size. In real mode and in virtual 8086 mode with paging disabled, the linear address is also the physical address. In virtual 8086 mode with paging enabled, the linear address is translated to the physical address using the current page tables. Paging is described in Section 2.6.4 (Page 45).

In protected mode a segment register holds a **Segment Selector** containing a 13-bit index, a Table Indicator (TI) bit, and a two-bit Requested Privilege Level (RPL) field as shown in Figure 2.3.

The **Index** points into a descriptor table in memory and selects one of 8192 (2^{13}) segment descriptors contained in the descriptor table.

A segment descriptor is an eight-byte value used to describe a memory segment by defining the segment base, the segment limit, and access control information. To address data within a segment, a 16-bit or 32-bit offset is added to the segment's base address. Once a segment selector has been loaded into a segment register, an instruction needs only to specify the segment register and the offset.

Figure 2.3. Segment Selector in Protected Mode



The **Table Indicator** (TI) bit of the selector defines which descriptor table the index points into. If TI=0, the index references the Global Descriptor Table (GDT). If TI=1, the index references the Local Descriptor Table (LDT). The GDT and LDT are described in more detail in Section Table 2.6. Protected mode addressing is discussed further in Sections 2.6.2 and 2.6.3.

The **Requested Privilege Level** (RPL) field in a segment selector is used to determine the Effective Privilege Level of an instruction (where RPL=0 indicates the most privileged level, and RPL=3 indicates the least privileged level).

If the level requested by RPL is less than the Current Program Level (CPL), the RPL level is accepted and the Effective Privilege Level is changed to the RPL value. If the level requested by RPL is greater than CPL, the CPL overrides the requested RPL and Effective Privilege Level remains unchanged.

When a segment register is loaded with a segment selector, the segment base, segment limit and access rights are loaded from the descriptor table entry into a user-invisible or hidden portion of the segment register (i.e., cached on-chip). The CPU does not access the descriptor table entry again until another segment register load occurs. If the descriptor tables are modified in memory, the segment registers must be reloaded with the new selector values by the software.

The processor automatically selects an implied (default) segment register for memory references. Table 2.2 describes the selection rules. In general, data references use the selector contained in the DS register, stack references use the SS register and instruction fetches use the CS register. While some of these selections may be overridden, instruction fetches, stack operations, and the destination write of string operations cannot be overridden. Special segment override instruction prefixes allow the use of alternate segment registers including the use of the ES, FS, and GS segment registers.

Table 2.2. Segment Register Selection Rules

TYPE OF MEMORY REFERENCE	IMPLIED (DEFAULT) SEGMENT	SEGMENT OVERRIDE PREFIX
Code Fetch	CS	None
Destination of PUSH, PUSHF, INT, CALL, PUSHA instructions	SS	None
Source of POP, POPA, POPF, IRET, RET instructions	SS	None
Destination of STOS, MOVS, REP STOS, REP MOVS instructions	ES	None
Other data references with effective address using base registers of: EAX, EBX, ECX, EDX, ESI, EDI EBP, ESP	DS	CS, ES, FS, GS, SS
	SS	CS, DS, ES, FS, GS

2.3.4 Instruction Pointer Register

The **Instruction Pointer** (EIP) register contains the offset into the current code segment of the next instruction to be executed. The register is normally incremented with each instruction execution unless implicitly modified through an interrupt, exception or an instruction that changes the sequential execution flow (e.g., JMP, CALL).

2.3.5 Flags Register

The **Flags Register**, EFLAGS, contains status information and controls certain operations on the ST6x86 CPU microprocessor. The lower 16 bits of this register are referred to as the FLAGS register that is used when executing 8086 or 80286 code. The flag bits are shown in Figure 2.4 and defined in Table 2.3.

Figure 2.4. EFLAGS Register

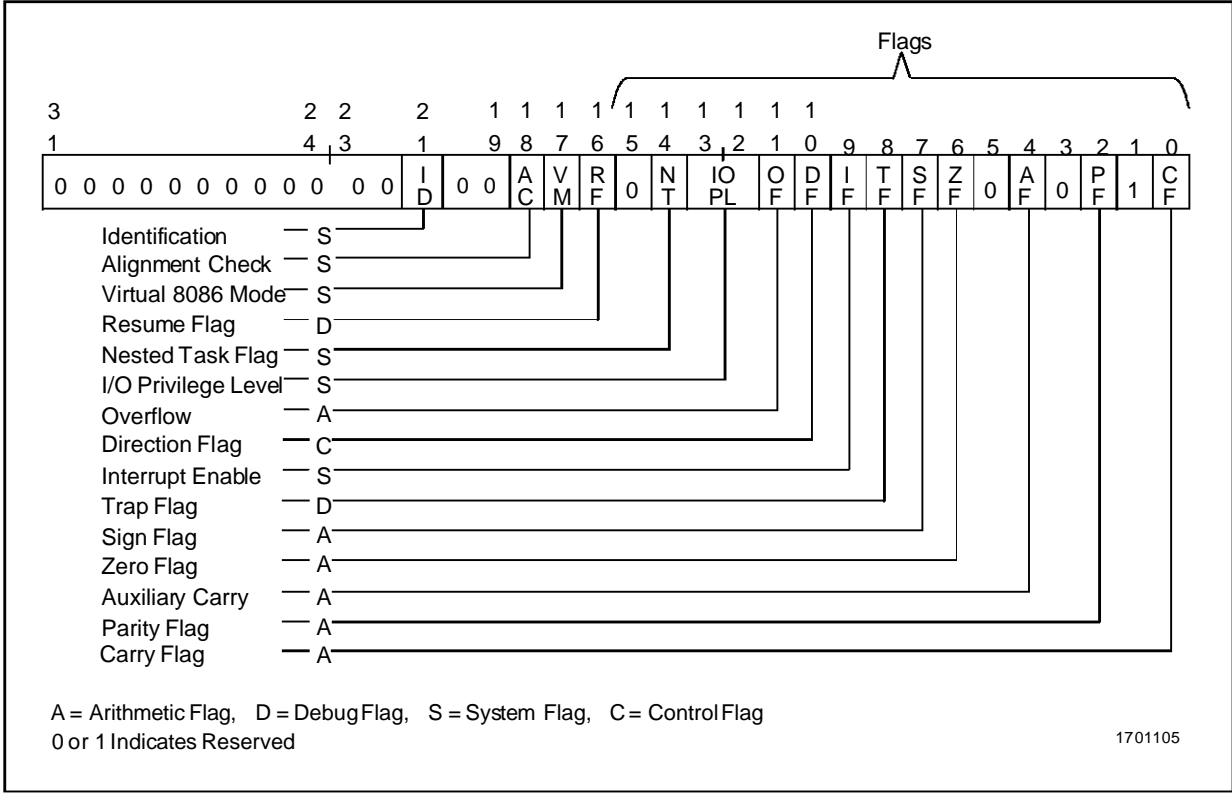


Table 2.3. EFLAGS Bit Definitions

BIT POSITION	NAME	FUNCTION
0	CF	Carry Flag: Set when a carry out of (addition) or borrow into (subtraction) the most significant bit of the result occurs; cleared otherwise.
2	PF	Parity Flag: Set when the low-order 8 bits of the result contain an even number of ones; cleared otherwise.
4	AF	Auxiliary Carry Flag: Set when a carry out of (addition) or borrow into (subtraction) bit position 3 of the result occurs; cleared otherwise.
6	ZF	Zero Flag: Set if result is zero; cleared otherwise.
7	SF	Sign Flag: Set equal to high-order bit of result (0 indicates positive, 1 indicates negative).
8	TF	Trap Enable Flag: Once set, a single-step interrupt occurs after the next instruction completes execution. TF is cleared by the single-step interrupt.
9	IF	Interrupt Enable Flag: When set, maskable interrupts (INTR input pin) are acknowledged and serviced by the CPU.
10	DF	Direction Flag: If DF=0, string instructions auto-increment (default) the appropriate index registers (ESI and/or EDI). If DF=1, string instructions auto-decrement the appropriate index registers.
11	OF	Overflow Flag: Set if the operation resulted in a carry or borrow into the sign bit of the result but did not result in a carry or borrow out of the high-order bit. Also set if the operation resulted in a carry or borrow out of the high-order bit but did not result in a carry or borrow into the sign bit of the result.
12,13	IOPL	I/O Privilege Level: While executing in protected mode, IOPL indicates the maximum current privilege level (CPL) permitted to execute I/O instructions without generating an exception 13 fault or consulting the I/O permission bit map. IOPL also indicates the maximum CPL allowing alteration of the IF bit when new values are popped into the EFLAGS register.
14	NT	Nested Task: While executing in protected mode, NT indicates that the execution of the current task is nested within another task.
16	RF	Resume Flag: Used in conjunction with debug register breakpoints. RF is checked at instruction boundaries before breakpoint exception processing. If set, any debug fault is ignored on the next instruction.
17	VM	Virtual 8086 Mode: If set while in protected mode, the microprocessor switches to virtual 8086 operation handling segment loads as the 8086 does, but generating exception 13 faults on privileged opcodes. The VM bit can be set by the IRET instruction (if current privilege level=0) or by task switches at any privilege level.
18	AC	Alignment Check Enable: In conjunction with the AM flag in CR0, the AC flag determines whether or not misaligned accesses to memory cause a fault. If AC is set, alignment faults are enabled.
21	ID	Identification Bit: The ability to set and clear this bit indicates that the CPUID instruction is supported. The ID can be modified only if the CPUID bit in CCR4 is set.

2.4 System Register Set

The system register set, shown in Figure 2.5, consists of registers not generally used by application programmers. These registers are typically employed by system level programmers who generate operating systems and memory management programs.

The **Control Registers** control certain aspects of the ST6x86 microprocessor such as paging, coprocessor functions, and segment protection. When a paging exception occurs while paging is enabled, some control registers retain the linear address of the access that caused the exception.

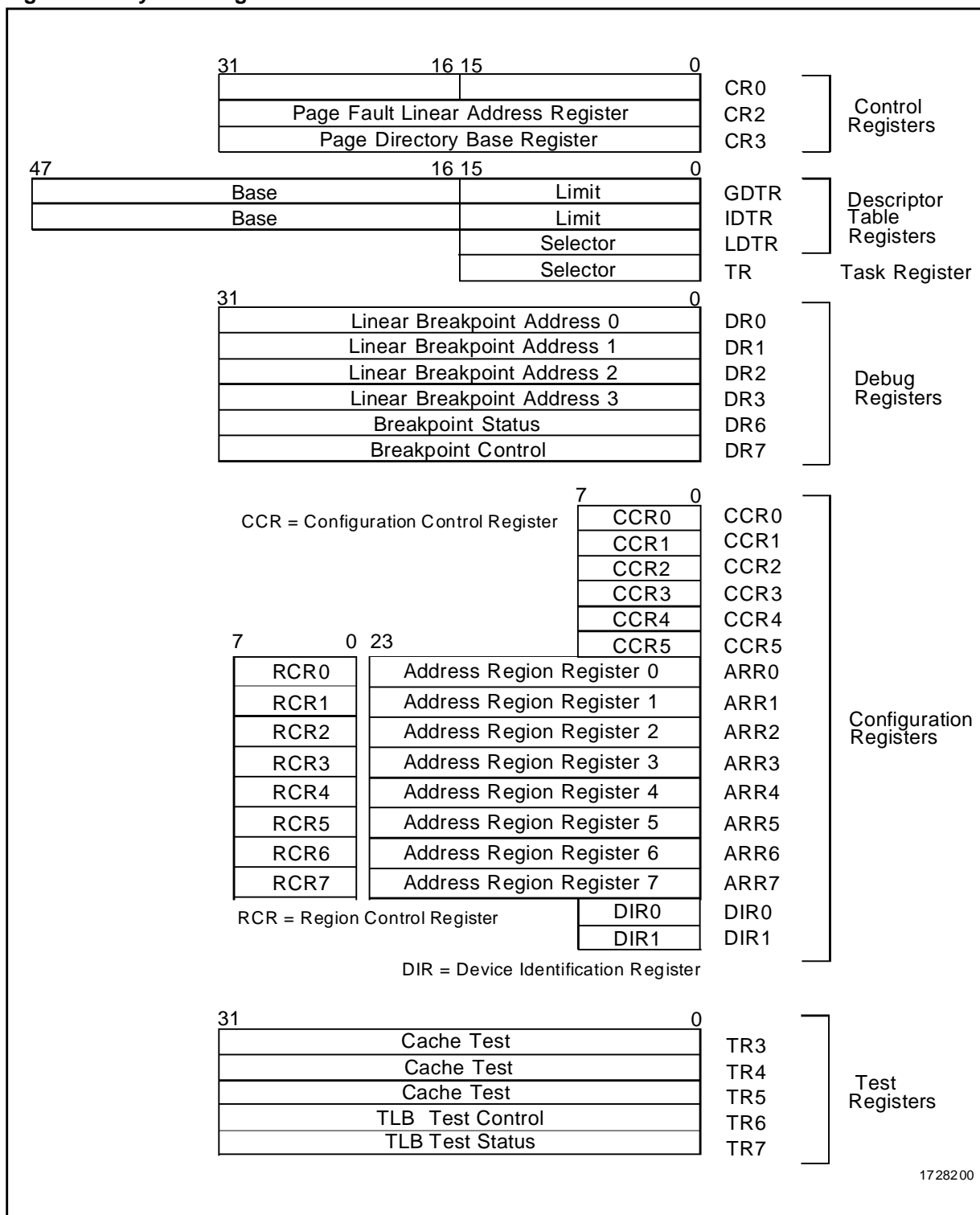
The **Descriptor Table Registers** and the **Task Register** can also be referred to as system address or memory management registers. These registers consist of two 48-bit and two 16-bit registers. These registers specify the location of the data structures that control the segmentation used by the ST6x86 microprocessor. Segmentation is one available method of memory management.

The **Configuration Registers** are used to configure the ST6x86 CPU on-chip cache operation, power management features and System Management Mode. The configuration registers also provide information on the CPU device type and revision.

The **Debug Registers** provide debugging facilities to enable the use of data access breakpoints and code execution breakpoints.

The **Test Registers** provide a mechanism to test the contents of both the on-chip 16 KByte cache and the Translation Lookaside Buffer (TLB). In the following sections, the system register set is described in greater detail.

Figure 2.5. System Register Set



1728200

2.4.1 Control Registers

The Control Registers (CR0, CR2 and CR3), are shown in Figure 2-6. The CR0 register contains system control bits which configure operating modes and indicate the general state of the CPU. The lower 16 bits of CR0 are referred to as the Machine Status Word (MSW). The CR0 bit definitions are described in Table 2.4 and Table 2.5. The reserved bits in CR0 should not be modified.

When paging is enabled and a page fault is generated, the CR2 register retains the 32-bit linear address of the address that caused the fault. When a double page fault occurs, CR2 contains the address for the second fault. Register CR3 contains the 20 most significant bits of the physical

base address of the page directory. The page directory must always be aligned to a 4-KByte page boundary, therefore, the lower 12 bits of CR3 are not required to specify the base address.

CR3 contains the Page Cache Disable (PCD) and Page Write Through (PWT) bits. During bus cycles that are not paged, the state of the PCD bit is reflected on the PCD pin and the PWT bit is driven on the PWT pin. These bus cycles include interrupt acknowledge cycles and all bus cycles, when paging is not enabled. The PCD pin should be used to control caching in an external cache. The PWT pin should be used to control write policy in an external cache.

Figure 2.6. Control Registers

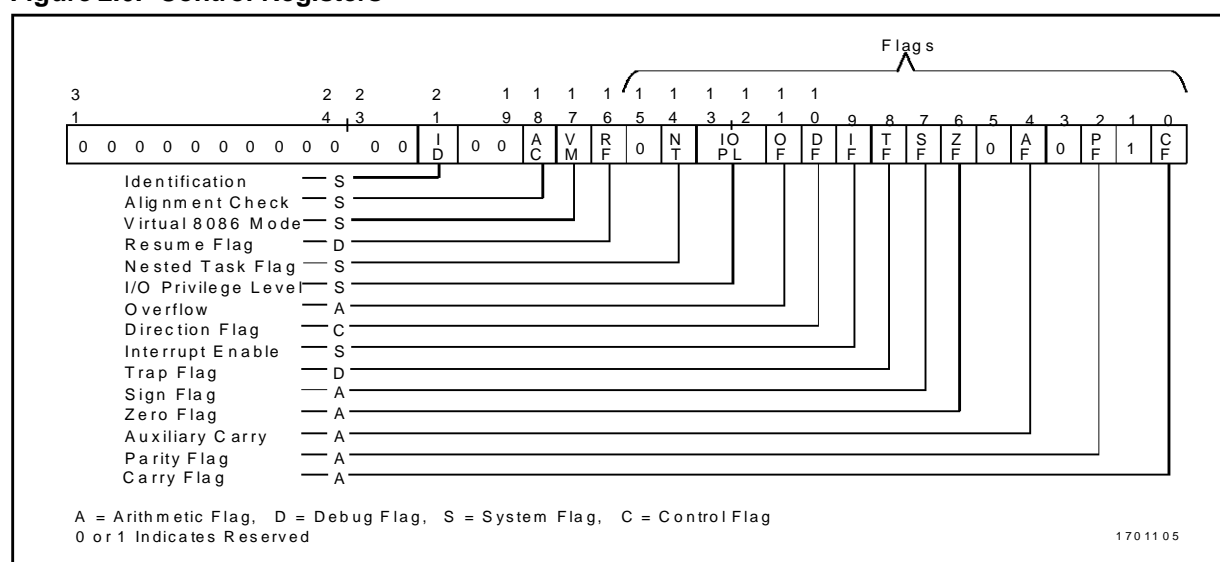


Table 2.4. CRO Bit Definitions

BIT POSITION	NAME	FUNCTION
0	PE	Protected Mode Enable: Enables the segment based protection mechanism. If PE=1, protected mode is enabled. If PE=0, the CPU operates in real mode and addresses are formed as in an 8086-style CPU.
1	MP	Monitor Processor Extension: If MP=1 and TS=1, a WAIT instruction causes Device Not Available (DNA) fault 7. The TS bit is set to 1 on task switches by the CPU. Floating point instructions are not affected by the state of the MP bit. The MP bit should be set to one during normal operations.
2	EM	Emulate Processor Extension: If EM=1, all floating point instructions cause a DNA fault 7.
3	TS	Task Switched: Set whenever a task switch operation is performed. Execution of a floating point instruction with TS=1 causes a DNA fault. If MP=1 and TS=1, a WAIT instruction also causes a DNA fault.
4	1	Reserved: Do not attempt to modify.
5	NE	Numerics Exception. NE=1 to allow FPU exceptions to be handled by interrupt 16. NE=0 if FPU exceptions are to be handled by external interrupts.
16	WP	Write Protect: Protects read-only pages from supervisor write access. WP=0 allows a read-only page to be written from privilege level 0-2. WP=1 forces a fault on a write to a read-only page from any privilege level.
18	AM	Alignment Check Mask: If AM=1, the AC bit in the EFLAGS register is unmasked and allowed to enable alignment check faults. Setting AM=0 prevents AC faults from occurring.
29	NW	Not Write-Back: If NW=1, the on-chip cache operates in write-through mode. In write-through mode, all writes (including cache hits) are issued to the external bus. If NW=0, the on-chip cache operates in write-back mode. In write-back mode, writes are issued to the external bus only for a cache miss, a line replacement of a modified line, or as the result of a cache inquiry cycle.
30	CD	Cache Disable: If CD=1, no further cache line fills occur. However, data already present in the cache continues to be used if the requested address hits in the cache. Writes continue to update the cache and cache invalidations due to inquiry cycles occur normally. The cache must also be invalidated to completely disable any cache activity.
31	PG	Paging Enable Bit: If PG=1 and protected mode is enabled (PE=1), paging is enabled. After changing the state of PG, software must execute an unconditional branch instruction (e.g., JMP, CALL) to have the change take effect.

Table 2.5. Effects of Various Combinations of EM, TS, and MP Bits

CRO BIT			INSTRUCTION TYPE	
EM	TS	MP	WAIT	ESC
0	0	0	Execute	Execute
0	0	1	Execute	Execute
0	1	0	Execute	Fault 7
0	1	1	Fault 7	Fault 7
1	0	0	Execute	Fault 7
1	0	1	Execute	Fault 7
1	1	0	Execute	Fault 7
1	1	1	Fault 7	Fault 7

Table 2.6 Descriptor Table Registers and Descriptors**Descriptor Table Registers**

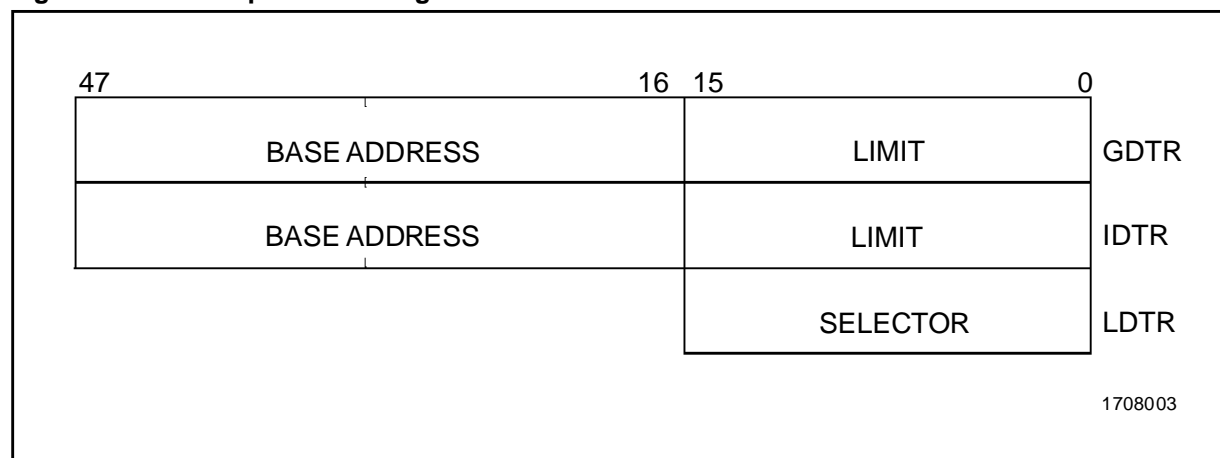
The Global, Interrupt, and Local Descriptor Table Registers (GDTR, IDTR and LDTR), shown in Figure 2.7, are used to specify the location of the data structures that control segmented memory management. The GDTR, IDTR and LDTR are loaded using the LGDT, LIDT and LLDT instructions, respectively. The values of these registers are stored using the corresponding store instructions. The GDTR and IDTR load instructions are privileged instructions when operating in protected mode. The LDTR can only be accessed in protected mode.

The **Global Descriptor Table Register (GDTR)** holds a 32-bit linear base address and 16-bit limit for the Global Descriptor Table (GDT). The GDT is an array of up to 8192 8-byte descriptors. When a segment register is loaded from memory, the TI bit in the segment selector chooses either the GDT or the Local Descriptor Table (LDT) to locate a descriptor. If TI = 0, the index portion of the selector is used to locate the descriptor within the GDT table. The contents of the GDTR are completely

visible to the programmer by using a SGDT instruction. The first descriptor in the GDT (location 0) is not used by the CPU and is referred to as the “null descriptor”. The GDTR is initialized using a LGDT instruction.

The **Interrupt Descriptor Table Register (IDTR)** holds a 32-bit linear base address and 16-bit limit for the Interrupt Descriptor Table (IDT). The IDT is an array of 256 interrupt descriptors, each of which is used to point to an interrupt service routine. Every interrupt that may occur in the system must have an associated entry in the IDT. The contents of the IDTR are completely visible to the programmer by using a SIDT instruction. The IDTR is initialized using the LIDT instruction.

The **Local Descriptor Table Register (LDTR)** holds a 16-bit selector for the Local Descriptor Table (LDT). The LDT is an array of up to 8192 8-byte descriptors. When the LDTR is loaded, the LDTR selector indexes an LDT descriptor that must reside in the Global Descriptor Table (GDT). The base address and limit are loaded automatically and cached from the LDT descriptor within the GDT.

Figure 2.7. Descriptor Table Registers

Subsequent access to entries in the LDT use the hidden LDTR cache to obtain linear addresses. If the LDT descriptor is modified in the GDT, the LDTR must be reloaded to update the hidden portion of the LDTR.

When a segment register is loaded from memory, the TI bit in the segment selector chooses either the GDT or the LDT to locate a segment descriptor. If TI = 1, the index portion of the selector is used to locate a given descriptor within the LDT. Each task in the system may be given its own LDT, managed by the operating system. The LDTs provide a method of isolating a given task's segments from other tasks in the system.

The LDTR can be read or written by the LLDT and SLDT instructions.

Descriptors

There are three types of descriptors:

- Application Segment Descriptors that define code, data and stack segments.
- System Segment Descriptors that define an LDT segment or a Task State Segment (TSS) table described later in this text.
- Gate Descriptors that define task gates, interrupt gates, trap gates and call gates.

Application Segment Descriptors can be located in either the LDT or GDT. System Segment Descriptors can only be located in the GDT. Dependent on the gate type, gate descriptors may be located in either the GDT, LDT or IDT. Figure 2.8 illustrates the descriptor format for both Application Segment Descriptors and System Segment Descriptors. Table 2.7 lists the corresponding bit definitions.

Figure 2.8. Application and System Segment Descriptors

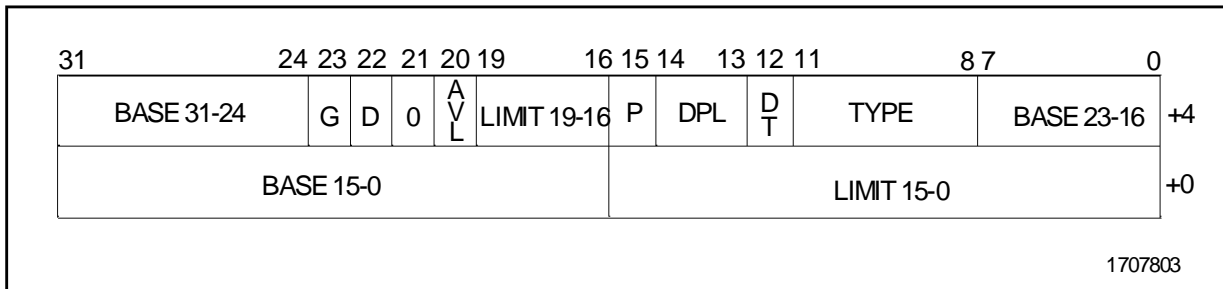


Table 2.7. Segment Descriptor Bit Definitions

BIT POSITION	MEMORY OFFSET	NAME	DESCRIPTION
31-24 7-0 31-16	+4 +4 +0	BASE	Segment base address. 32-bit linear address that points to the beginning of the segment.
19-16 15-0	+4 +0	LIMIT	Segment limit.
23	+4	G	Limit granularity bit: 0 = byte granularity, 1 = 4 KBytes (page) granularity.
22	+4	D	Default length for operands and effective addresses. Valid for code and stack segments only: 0 = 16 bit, 1 = 32-bit.
20	+4	AVL	Segment available.
15	+4	P	Segment present.
14-13	+4	DPL	Descriptor privilege level.
12	+4	DT	Descriptor type: 0 = system, 1 = application.
11-8	+4	TYPE	Segment type. See Tables 2-7 and 2-8.

Table 2.8. TYPE Field Definitions with DT = 0

TYPE (BITS 11-8)	DESCRIPTION
0001	TSS-16 descriptor, task not busy.
0010	LDT descriptor.
0011	TSS-16 descriptor, task busy.
1001	TSS-32 descriptor, task not busy
1011	TSS-32 descriptor, task busy.

Table 2.9. TYPE Field Definitions with DT = 1

TYPE				APPLICATION DESCRIPTOR INFORMATION
E	C/D	R/W	A	
0	0	x	x	data, expand up, limit is upper bound of segment
0	1	x	x	data, expand down, limit is lower bound of segment
1	0	x	x	executable, non-conforming
1	1	x	x	executable, conforming (runs at privilege level of calling procedure)
0	x	0	x	data, non-writable
0	x	1	x	data, writable
1	x	0	x	executable, non-readable
1	x	1	x	executable, readable
x	x	x	0	not-accessed
x	x	x	1	accessed

Gate Descriptors provide protection for executable segments operating at different privilege levels. Figure 2.9 illustrates the format for Gate Descriptors and Table 2.10 lists the corresponding bit definitions.

Task Gate Descriptors are used to switch the CPU's context during a task switch. The selector portion of the task gate descriptor locates a Task State Segment. These descriptors can be located in the GDT, LDT or IDT tables.

Interrupt Gate Descriptors are used to enter a hardware interrupt service routine. Trap Gate Descriptors are used to enter exceptions or software interrupt service routines. Trap Gate and Interrupt Gate Descriptors can only be located in the IDT.

Call Gate Descriptors are used to enter a procedure (subroutine) that executes at the same or a more privileged level. A Call Gate Descriptor primarily defines the procedure entry point and the procedure's privilege level.

Figure 2.9. Gate Descriptor

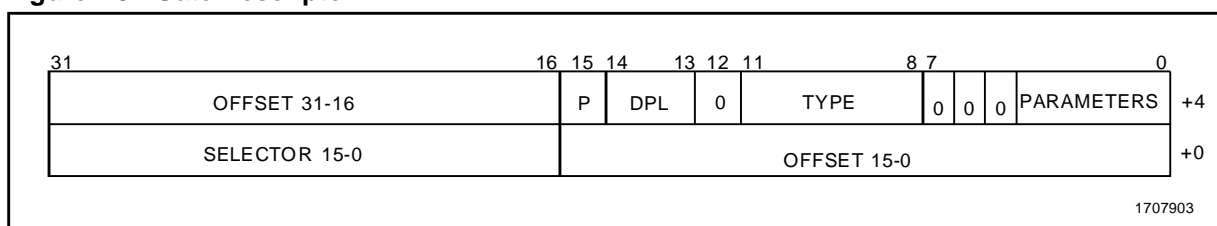


Table 2.10. Gate Descriptor Bit Definitions

BIT POSITION	MEMORY OFFSET	NAME	DESCRIPTION
31-16 15-0	+4 +0	OFFSET	Offset used during a call gate to calculate the branch target.
31-16	+0	SELECTOR	Segment selector used during a call gate to calculate the branch target.
15	+4	P	Segment present.
14-13	+4	DPL	Descriptor privilege level.
11-8	+4	TYPE	Segment type: 0100 = 16-bit call gate 0101 = task gate 0110 = 16-bit interrupt gate 0111 = 16-bit trap gate 1100 = 32-bit call gate 1110 = 32-bit interrupt gate 1111 = 32-bit trap gate.
4-0	+4	PARAMETERS	Number of 32-bit parameters to copy from the caller's stack to the called procedure's stack (valid for calls).

2.4.2 Task Register

The **Task Register** (TR) holds a 16-bit selector for the current Task State Segment (TSS) table as shown in Figure 2.10. The TR is loaded and stored via the LTR and STR instructions, respectively. The TR can only be accessed during protected mode and can only be loaded when the privilege level is 0 (most privileged). When the TR is loaded, the TR selector field indexes a TSS descriptor that must reside in the Global Descriptor Table (GDT). The contents of the selected descriptor are cached on-chip in the hidden portion of the TR.

During task switching, the processor saves the current CPU state in the TSS before starting a new task. The TR points to the current TSS. The TSS can be either a 386/486-style 32-bit TSS Figure 2.11 or a 286-style 16-bit TSS type Figure 2.12. An I/O permission bit map is referenced in the 32-bit TSS by the I/O Map Base Address.

Figure 2.10. Task Register

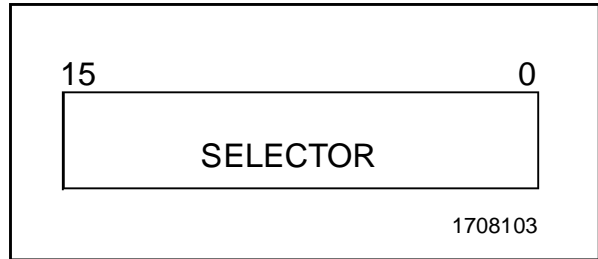


Figure 2.11. 32-Bit Task State Segment (TSS) Table

31	16 15	0	
I/O MAP BASE ADDRESS		0 0 0 0 0 0 0 0 0 0 0 0 0 0 0 0	T +64h
0 0 0 0 0 0 0 0 0 0 0 0 0 0 0 0		SELECTOR FOR TASK'S LDT	+60h
0 0 0 0 0 0 0 0 0 0 0 0 0 0 0 0		GS	+5Ch
0 0 0 0 0 0 0 0 0 0 0 0 0 0 0 0		FS	+58h
0 0 0 0 0 0 0 0 0 0 0 0 0 0 0 0		DS	+54h
0 0 0 0 0 0 0 0 0 0 0 0 0 0 0 0		SS	+50h
0 0 0 0 0 0 0 0 0 0 0 0 0 0 0 0		CS	+4Ch
0 0 0 0 0 0 0 0 0 0 0 0 0 0 0 0		ES	+48h
		EDI	+44h
		ESI	+40h
		EBP	+3Ch
		ESP	+38h
		EBX	+34h
		EDX	+30h
		ECX	+2Ch
		EAX	+28h
		EFLAGS	+24h
		EIP	+20h
		CR3	+1Ch
0 0 0 0 0 0 0 0 0 0 0 0 0 0 0 0		SS for CPL = 2	+18h
		ESP for CPL = 2	+14h
0 0 0 0 0 0 0 0 0 0 0 0 0 0 0 0		SS for CPL = 1	+10h
		ESP for CPL = 1	+Ch
0 0 0 0 0 0 0 0 0 0 0 0 0 0 0 0		SS for CPL = 0	+8h
		ESP for CPL = 0	+4h
0 0 0 0 0 0 0 0 0 0 0 0 0 0 0 0		BACK LINK (OLD TSS SELECTOR)	+0h

0 = RESERVED

1708203

Figure 2.12. 16-Bit Task State Segment (TSS) Table

SELECTOR FOR TASK'S LDT	+2Ah
DS	+28h
SS	+26h
CS	+24h
ES	+22h
DI	+20h
SI	+1Eh
BP	+16h
SP	+1Ah
BX	+18h
DX	+16h
CX	+14h
AX	+12h
FLAGS	+10h
IP	+Eh
SS FOR PRIVILEGE LEVEL 2	+Ch
SP FOR PRIVILEGE LEVEL 2	+Ah
SS FOR PRIVILEGE LEVEL 1	+8h
SP FOR PRIVILEGE LEVEL 1	+6h
SS FOR PRIVILEGE LEVEL 0	+4h
SP FOR PRIVILEGE LEVEL 0	+2h
BACK LINK (OLD TSS SELECTOR)	+0h

1708803

2.4.3 6x86 Configuration Registers

A set of 24 on-chip ST6x86 configuration registers are used to enable features in the ST6x86 CPU. These registers assign non-cached memory areas, set up SMM, provide CPU identification information and control various features such as cache write policy, and bus locking control. There are four groups of registers within the ST6x86 configuration register set:

- 6 Configuration Control Registers (CCR_x)
- 8 Address Region Registers (ARR_x)
- 8 Region Control Registers (RCR_x)
- 2 Device Identification Registers (DIR_x)

Access to the configuration registers is achieved by writing the register index number for the configuration register to I/O port 22h. I/O port 23h is then used for data transfer.

Each I/O port 23h data transfer must be preceded by a valid I/O port 22h register index selection. Otherwise, the current 22h, and the second and later I/O port 23h operations communicate through the I/O port to produce external I/O cycles. All reads from I/O port 22h produce external I/O cycles. Accesses that hit within the on-chip configuration registers do not generate external I/O cycles.

After reset, configuration registers with indexes C0-CFh and FE-FFh are accessible. To prevent potential conflicts with other devices which may use ports 22 and 23h to access their registers, the remaining registers (indexes D0-FDh) are accessible only if the MAPEN(3-0) bits in CCR3 are set to 1h. See Figure 2.16 for more information on the MAPEN(3-0) bit locations.

If MAPEN[3-0] = 1h, any access to indexes in the range 00-FFh will not create external I/O bus cycles. Registers with indexes C0-CFh, FE, FFh are accessible regardless of the state of MAPEN[3-0]. If the register index number is outside the C0-CFh or FE-FFh ranges, and MAPEN[3-0] are set to 0h, external I/O bus cycles occur. Table 2.11 lists the MAPEN[3-0] values required to access each ST6x86 configuration register. All bits in the configuration registers are initialized to zero following reset unless specified otherwise.

Valid register index numbers include C0h to E3h, E8h, E9h, FEh and FFh (if MAPEN[3-0] = 1).

2.4.3.1 Configuration Control Registers

(CCR0 - CCR5) control several functions, including non-cacheable memory, write-back regions, and SMM features. A list of the configuration registers is listed in Table 2.11. The configuration registers are described in greater detail in the following pages.

Table 2.11. ST6x86 CPU Configuration Registers

REGISTER NAME	ACRONYM	REGISTER INDEX	WIDTH (Bits)	MAPEN VALUE NEEDED FOR ACCESS
Configuration Control 0	CCR0	C0h	8	x
Configuration Control 1	CCR1	C1h	8	x
Configuration Control 2	CCR2	C2h	8	x
Configuration Control 3	CCR3	C3h	8	x
Configuration Control 4	CCR4	E8h	8	1
Configuration Control 5	CCR5	E9h	8	1
Address Region 0	ARR0	C4h - C6h	24	x
Address Region 1	ARR1	C7h - C9h	24	x
Address Region 2	ARR2	CAh - CCh	24	x
Address Region 3	ARR3	CDh - CFh	24	x
Address Region 4	ARR4	D0h - D2h	24	1
Address Region 5	ARR5	D3h - D5h	24	1
Address Region 6	ARR6	D6h - D8h	24	1
Address Region 7	ARR7	D9h - DBh	24	1
Region Control 0	RCR0	DCh	8	1
Region Control 1	RCR1	DDh	8	1
Region Control 2	RCR2	DEh	8	1
Region Control 3	RCR3	DFh	8	1
Region Control 4	RCR4	E0h	8	1
Region Control 5	RCR5	E1h	8	1
Region Control 6	RCR6	E2h	8	1
Region Control 7	RCR7	E3h	8	1
Device Identification 0	DIR0	FEh	8	x
Device Identification 1	DIR1	FFh	8	x

Note: x = Don't Care

Figure 2.13. ST6x86 Configuration Control Register 0 (CCRO)

7	6	5	4	3	2	1	0
Reserved	Reserved	Reserved	Reserved	Reserved	Reserved	NC1	Reserved

Table 2.12. CCRO Bit Definitions

BIT POSITION	NAME	DESCRIPTION
1	NC1	No Cache 640 KByte - 1 MByte If = 1: Address region 640 KByte to 1 MByte is non-cacheable. If = 0: Address region 640 KByte to 1 MByte is cacheable.

Note: Bits 0, 2 through 7 are reserved.

Figure 2.14. ST6x86 Configuration Control Register 1 (CCR1)

7	6	5	4	3	2	1	0
SM3	Reserved	Reserved	NO_LOCK	Reserved	SMAC	USE_SMI	Reserved

Table 2.13. CCR1 Bit Definitions

BIT POSITION	NAME	DESCRIPTION
1	USE_SMI	Enable SMM and SMI \overline{ACT} # Pins If = 1: SMI $\overline{}$ and SMI \overline{ACT} # pins are enabled. If = 0: SMI $\overline{}$ pin ignored and SMI \overline{ACT} # pin is driven inactive.
2	SMAC	System Management Memory Access If = 1: Any access to addresses within the SMM address space, access system management memory instead of main memory. SMI $\overline{}$ input is ignored. Used when initializing or testing SMM memory. If = 0: No effect on access.
4	NO_LOCK	Negate LOCK# If = 1: All bus cycles are issued with LOCK# pin negated except page table accesses and interrupt acknowledge cycles. Interrupt acknowledge cycles are executed as locked cycles even though LOCK# is negated. With NO_LOCK set, previously noncacheable locked cycles are executed as unlocked cycles and therefore, may be cached. This results in higher performance. Refer to Region Control Registers for information on eliminating locked CPU bus cycles only in specific address regions.
7	SM3	SMM Address Space Address Region 3 If = 1: Address Region 3 is designated as SMM address space.

Note: Bits 0, 3, 5 and 6 are reserved.

Figure 2.15. ST6x86 Configuration Control Register 2 (CCR2)

7	6	5	4	3	2	1	0
USE_SUSP	Reserved	Reserved	WPR1	SUSP_HLT	LOCK_NW	Reserved	Reserved

Table 2.14. CCR2 Bit Definitions

BIT POSITION	NAME	DESCRIPTION
2	LOCK_NW	Lock NW If = 1: NW bit in CR0 becomes read only and the CPU ignores any writes to the NW bit. If = 0: NW bit in CR0 can be modified.
3	SUSP_HLT	Suspend on Halt If = 1: Execution of the HLT instruction causes the CPU to enter low power suspend mode.
4	WPR1	Write-Protect Region 1 If = 1: Designates any cacheable accesses in 640 KByte to 1 MByte address region are write protected.
7	USE_SUSP	Use Suspend Mode (Enable Suspend Pins) If = 1: SUSP# and SUSPA# pins are enabled. If = 0: SUSP# pin is ignored and SUSPA# pin floats.

Note: Bits 0,1, 5 and 6 are reserved.

Figure 2.16. ST6x86 Configuration Control Register 3 (CCR3)



Table 2.15. CCR3 Bit Definitions

BIT POSITION	NAME	DESCRIPTION
0	SMI_LOCK	<p>SMI Lock</p> <p>If = 1: The following SMM configuration bits can only be modified while in an SMI service routine: CCR1: USE_SMI, SMAC, SM3 CCR3: NMI_EN ARR3: Starting address and block size.</p> <p>Once set, the features locked by SMI_LOCK cannot be unlocked until the RESET pin is asserted.</p>
1	NMI_EN	<p>NMI Enable</p> <p>If = 1: NMI interrupt is recognized while servicing an SMI interrupt.</p> <p>NMI_EN should be set only while in SMM, after the appropriate SMI interrupt service routine has been setup.</p>
2	LINBRST	<p>If = 1: Use linear address sequence during burst cycles.</p> <p>If = 0: Use "1 + 4" address sequence during burst cycles. The "1 + 4" address sequence is compatible with Pentium's burst address sequence.</p>
4-7	MAPEN	<p>MAP Enable</p> <p>If = 1h: All configuration registers are accessible.</p> <p>If = 0h: Only configuration registers with indexes C0-CFh, FEh and FFh are accessible.</p>

Note: Bit 3 is reserved.

Figure 2.17. ST6x86 Configuration Control Register 4 (CCR4)

7	6	5	4	3	2	1	0
CPUID	Reserved	Reserved	DTE_EN	Reserved	IORT		

Table 2.16. CCR4 Bit Definitions

BIT POSITION	NAME	DESCRIPTION
0-2	IORT	I/O Recovery Time Specifies the minimum number of bus clocks between I/O accesses: 0h = 1 clock delay 1h = 2 clock delay 2h = 4 clock delay 3h = 8 clock delay 4h = 16 clock delay 5h = 32 clock delay (default value after RESET) 6h = 64 clock delay 7h = no delay
4	DTE_EN	Enable Directory Table Entry Cache If = 1: the Directory Table Entry cache is enabled.
7	CPUID	Enable CPUID instruction. If = 1: the ID bit in the EFLAGS register can be modified and execution of the CPUID instruction occurs as documented in section 6.3. If = 0: the ID bit in the EFLAGS register can not be modified and execution of the CPUID instruction causes an invalid opcode exception.

Note: Bits 3 and bits 5 and 6 are reserved.

Figure 2.18. ST6x86 Configuration Control Register 5 (CCR5)

7	6	5	4	3	2	1	0
Reserved	Reserved	ARREN	LBR1	Reserved	Reserved	Reserved	WT_ALLOC

Table 2.17. CCR5 Bit Definitions

BIT POSITION	NAME	DESCRIPTION
0	WT_ALLOC	Write-Through Allocate If = 1: New cache lines are allocated for read and write misses. If = 0: New cache lines are allocated only for read misses.
4	LBR1	Local Bus Region 1 If = 1: LBA# pin is asserted for all accesses to the 640 KByte to 1 MByte address region.
5	ARREN	Enable ARR Registers If = 1: Enables all ARR registers. If = 0: Disables the ARR registers. If SM3 is set, ARR3 is enabled regardless of the setting of ARREN.

Note: Bits 1 through 3 and 6 though 7 are reserved.

2.4.3.2 Address Region Registers

The Address Region Registers (ARR0 - ARR7) (Figure 2.19) are used to specify the location and size for the eight address regions.

Attributes for each address region are specified in the Region Control Registers (RCR0-RCR7). ARR7 and RCR7 are used to define system main memory and differ from ARR0-6 and RCR0-6.

With non-cacheable regions defined on-chip, the ST6x86 CPU delivers optimum performance by using advanced techniques to eliminate data dependencies and resource conflicts in its execution pipelines. If KEN# is active for accesses to regions defined as non-cacheable by the RCRs,

the region is not cached. The RCRs take precedence in this case.

A register index, shown in Table 2.18 is used to select one of three bytes in each ARR.

The starting address of the ARR address region, selected by the START ADDRESS field, must be on a block size boundary. For example, a 128 KByte block is allowed to have a starting address of 0 KBytes, 128 KBytes, 256 KBytes, and so on.

The SIZE field bit definition is listed in Table 2.19. If the SIZE field is zero, the address region is of zero size and thus disabled.

Figure 2.19. Address Region Registers (ARR0 - ARR7)

START ADDRESS			SIZE
Memory Address Bits A31-A24	Memory Address Bits A23-A16	Memory Address Bits A15-A12	Size Bits 3-0
7 0	7	0 7	4 3 0

Table 2.18. ARR0 - ARR7 Register Index Assignment

ARR Register	Memory Address (A31 - A24)	Memory Address (A23 - A16)	Memory Address (A15 - A12)	Address Region Size (3 - 0)
ARR0	C4h	C5h	C6h	C6h
ARR1	C7h	C8h	C9h	C9h
ARR2	CAh	CBh	CCh	CCh
ARR3	CDh	CEh	CFh	CFh
ARR4	D0h	D1h	D2h	D2h
ARR5	D3h	D4h	D5h	D5h
ARR6	D6h	D7h	D8h	D8h
ARR7	D9h	DAh	DBh	DBh

Table 2.19. Bit Definitions for SIZE Field

SIZE (3-0)	BLOCK SIZE		SIZE (3-0)	BLOCK SIZE	
	ARR0-6	ARR7		ARR0-6	ARR7
0h	Disabled	Disabled	8h	512 KBytes	32 MBytes
1h	4 KBytes	256 KBytes	9h	1 MBytes	64 MBytes
2h	8 KBytes	512 KBytes	Ah	2 MBytes	128 MBytes
3h	16 KBytes	1 MBytes	Bh	4 MBytes	256 MBytes
4h	32 KBytes	2 MBytes	Ch	8 MBytes	512 MBytes
5h	64 KBytes	4 MBytes	Dh	16 MBytes	1 GBytes
6h	128 KBytes	8 MBytes	Eh	32 MBytes	2 GBytes
7h	256 KBytes	16 MBytes	Fh	4 GBytes	4 GBytes

2.4.3.3 Region Control Registers

The Region Control Registers (RCR0 - RCR7) specify the attributes associated with the ARR_x address regions. The bit definitions for the region control registers are shown in Figure 2.20 and in Table 2.20. Cacheability, weak write ordering, weak locking, write gathering, cache write through policies and control of the LBA# pin can be activated or deactivated using the attribute bits.

If an address is accessed that is not in a memory region defined by the ARR_x registers, the following conditions will apply:

- LBA# pin is asserted
- If the memory address is cached, write-back is enabled if WB/WT# is returned high.
- Writes are not gathered
- Strong locking takes place
- Strong write ordering takes place
- The memory access is cached, if KEN# is returned asserted.

Overlapping Conditions Defined. If two regions specified by ARR_x registers overlap and conflicting attributes are specified, the following attributes take precedence:

- LBA# pin is asserted
- Write-back is disabled
- Writes are not gathered
- Strong locking takes place
- Strong write ordering takes place
- The overlapping regions are non-cacheable.

Figure 2.20. Region Control Registers (RCR0-RCR7)

7	6	5	4	3	2	1	0
Reserved	Reserved	NLB	WT	WG	WL	WWO	RCD / RCE*

*Note: RCD is defined for RCR0-RCR6. RCE is defined for RCR7.

Table 2.20. RCR0-RCR7 Bit Definitions

RCRx	BIT POSITION	NAME	DESCRIPTION
0 - 6	0	RCD	If = 1: Disables caching for address region specified by ARR _x .
7	0	RCE	If = 1: Enables caching for address region ARR ₇ .
0 - 7	1	WWO	If = 1: Weak write ordering for address region specified by ARR _x .
0 - 7	2	WL	If = 1: Weak locking for address region specified by ARR _x .
0 - 7	3	WG	If = 1: Write gathering for address region specified by ARR _x .
0 - 7	4	WT	If = 1: Address region specified by ARR _x is write-through.
0 - 7	5	NLB	If = 1: LBA# pin is not asserted for access to address region specified by ARR _x

Note: Bits 6 and 7 are reserved.

Region Cache Disable (RCD). Setting RCD to a one defines the address region as non-cacheable. Whenever possible, the RCRs should be used to define non-cacheable regions rather than using external address decoding and driving the KEN# pin.

Region Cache Enable (RCE). Setting RCE to a one defines the address region as cacheable. RCE is used to define the system main memory as cacheable memory. It is implied that memory outside the region is non-cacheable.

Weak Write Ordering (WWO). Setting WWO=1 enables weak write ordering for that address region. Enabling WWO allows the ST6x86 CPU to issue writes in its internal cache in an order different than their order in the code stream. External writes always occur in order (strong ordering). Therefore, this should only be enabled for memory regions that are NOT sensitive to this condition. WWO should not be enabled for memory mapped I/O. WWO only applies to memory regions that have been cached and designated as write-back. It also applies to previously cached addresses even if the cache has been disabled (CD=1). Enabling WWO removes the write-ordering restriction and improves performance due to reduced pipeline stalls.

Weak Locking (WL). Setting WL=1 enables weak locking for that address region. With WL enabled, all bus cycles are issued with the LOCK# pin negated except for page table accesses and interrupt acknowledge cycles. Interrupt acknowledge cycles are executed as locked cycles even though LOCK# is negated. With WL=1, previously non-cacheable locked cycles are executed as unlocked cycles and therefore, may be cached, resulting in higher performance. The NO_LOCK bit of CCR1 enables weak locking for the entire address space. The WL bit allows weak locking only for specific address regions. WL is independent of the cacheability of the address region.

Write Gathering (WG). Setting WG=1 enables write gathering for the associated address region. Write gathering allows multiple byte, word, or dword sequential address writes to accumulate in the on-chip write buffer. (As instructions are executed, the results are placed in a series of output buffers. These buffers are gathered into the final output buffer).

When access is made to a non-sequential memory location or when the 8-byte buffer becomes full, the contents of the buffer are written on the external 64-bit data bus. Performance is enhanced by avoiding as many as seven memory write cycles.

WG should not be used on memory regions that are sensitive to write cycle gathering. WG can be enabled for both cacheable and non-cacheable regions.

Write Through (WT). Setting WT=1 defines the address region as write-through instead of write-back, assuming the region is cacheable. Regions where system ROM are loaded (shadowed or not) should be defined as write-through.

LBA# Not Asserted (NLB). Setting NLB=1 prevents the microprocessor from asserting the Local Bus Access (LBA#) output pin for accesses to that address region. The RCR regions may be used to define non-local bus address regions. The LBA# pin could then be asserted for all regions, except those defined by the RCRs. The LBA# signal may be used by the external hardware (e.g., chipsets) as an indication that local bus accesses are occurring.

2.4.3.4 Device Identification Registers

The Device Identification Registers (DIR0, DIR1) contain CPU identification, CPU stepping and CPU revision information. Bit definitions are shown in (Figure 2.21), Table 2.21, Figure 2.22 and Table

2.22 respectively. Data in these registers cannot be changed. These registers can be read by using I/O ports 22 and 23. The register index for DIR0 is FEh and the register index for DIR1 is FFh.

Figure 2.21. Device Identification Register 0 (DIR0)

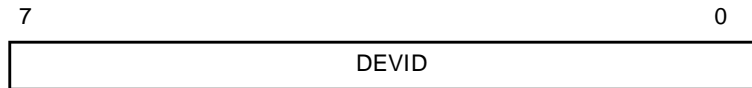


Table 2.21. DIR0 Bit Definitions

BIT POSITION	NAME	DESCRIPTION
7 - 0	DEVID	CPU Device Identification Number (read only).

Figure 2.22. Device Identification Register 1 (DIR1)

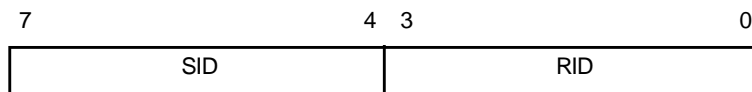


Table 2.22. DIR 1 Bit Definitions

BIT POSITION	NAME	DESCRIPTION
7 - 4	SID	CPU Step Identification Number (read only).
3 - 0	RID	CPU Revision Identification (read only).

2.4.4 Debug Registers

Six debug registers (DR0-DR3, DR6 and DR7), shown in Figure 2.23, support debugging on the ST6x86 CPU. The bit definitions for the debug registers are listed in Table 2.23.

Memory addresses loaded in the debug registers, referred to as "breakpoints", generate a debug exception when a memory access of the specified type occurs to the specified address. A data breakpoint can be specified for a particular kind of memory access such as a read or a write. Code breakpoints can also be set allowing debug exceptions to occur whenever a given code access (execution) occurs.

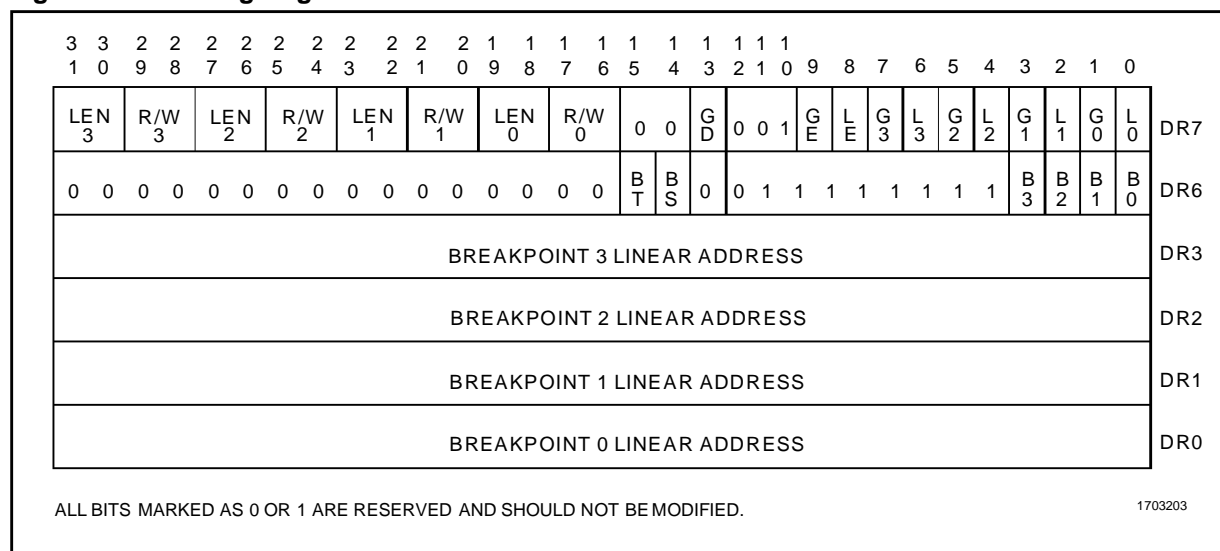
The size of the debug target can be set to 1, 2, or 4 bytes. The debug registers are accessed via MOV instructions which can be executed only at privilege level 0.

The Debug Address Registers (DR0-DR3) each contain the linear address for one of four possible breakpoints. Each breakpoint is further specified by bits in the Debug Control Register (DR7). For each breakpoint address in DR0-DR3, there are corresponding fields L, R/W, and LEN in DR7 that specify the type of memory access associated with the breakpoint.

The R/W field can be used to specify instruction execution as well as data access breakpoints. Instruction execution breakpoints are always taken before execution of the instruction that matches the breakpoint.

The Debug Status Register (DR6) reflects conditions that were in effect at the time the debug exception occurred. The contents of the DR6 register are not automatically cleared by the processor after a debug exception occurs and, therefore, should be cleared by software at the appropriate time.

Figure 2.23. Debug Registers



Code execution breakpoints may also be generated by placing the breakpoint instruction (INT 3) at the location where control is to be regained. Additionally, the single-step feature may be enabled by setting the TF flag in the EFLAGS register. This causes the processor to perform a debug exception after the execution of every instruction.

Table 2.23. DR6 and DR7 Debug Register Field Definitions

REGISTER	FIELD	NUMBER OF BITS	DESCRIPTION
DR6	Bi	1	Bi is set by the processor if the conditions described by DRi, R/Wi, and LENi occurred when the debug exception occurred, even if the breakpoint is not enabled via the Gi or Li bits.
	BT	1	BT is set by the processor before entering the debug handler if a task switch has occurred to a task with the T bit in the TSS set.
	BS	1	BS is set by the processor if the debug exception was triggered by the single-step execution mode (TF flag in EFLAGS set).
DR7	R/Wi	2	Specifies type of break for the linear address in DR0, DR1, DR3, DR4: 00 - Break on instruction execution only 01 - Break on data writes only 10 - Not used 11 - Break on data reads or writes.
	LENi	2	Specifies length of the linear address in DR0, DR1, DR3, DR4: 00 - One byte length 01 - Two byte length 10 - Not used 11 - Four byte length.
	Gi	1	If set to a 1, breakpoint in DRi is globally enabled for all tasks and is not cleared by the processor as the result of a task switch.
	Li	1	If set to a 1, breakpoint in DRi is locally enabled for the current task and is cleared by the processor as the result of a task switch.
	GD	1	Global disable of debug register access. GD bit is cleared whenever a debug exception occurs.

2.4.5 Test Registers

The test registers can be used to test the on-chip unified cache and to test the main TLB. The test registers are also used to enable ST6x86 CPU variable-size paging.

Test registers TR3, TR4, and TR5 are used to test the unified cache. Use of these registers is described with the memory caches later in this chapter in Section 2.7.1.1.

Test registers TR6 and TR7 are used to test the TLB. Use of these test registers is described in Section 2.6.4.2.

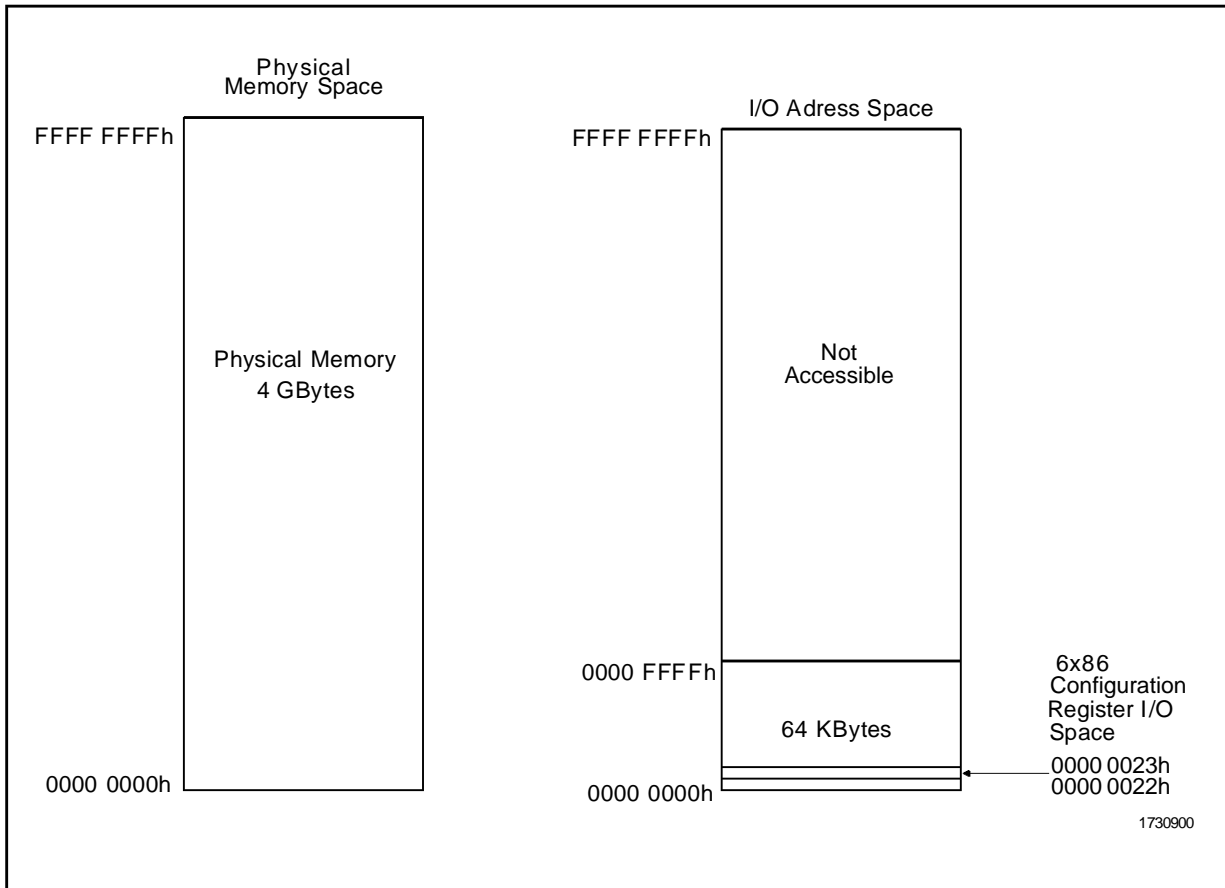
2.5 Address Space

The ST6x86 CPU can directly address 64 KBytes of I/O space and 4 GBytes of physical memory (Fig. 2.24).

Memory Address Space. Access can be made to memory addresses between 0000 0000h and

FFFF FFFFh. This 4 GByte memory space can be accessed using byte, word (16 bits), or doubleword (32 bits) format. Words and doublewords are stored in consecutive memory bytes with the low-order byte located in the lowest address. The physical address of a word or doubleword is the byte address of the low-order byte.

Figure 2.24. Memory and I/O Address Spaces



I/O Address Space

The ST6x86 I/O address space is accessed using IN and OUT instructions to addresses referred to as "ports". The accessible I/O address space size is 64 KBytes and can be accessed through 8-bit, 16-bit or 32-bit ports. The execution of any IN or OUT instruction causes the M/IO# pin to be driven low, thereby selecting the I/O space instead of memory space.

The accessible I/O address space ranges between locations 0000 0000h and 0000 FFFFh (64 KBytes). The I/O locations (ports) 22h and 23h can be used to access the ST6x86 configuration registers.

2.6 Memory Addressing Methods

With the ST6x86 CPU, memory can be addressed using nine different addressing modes (Table 2.24). These addressing modes are used to calculate an offset address often referred to as an effective address. Depending on the operating mode of the CPU, the offset is then combined using memory management mechanisms to create a physical address that actually addresses the physical memory devices.

Memory management mechanisms on the ST6x86 CPU consist of segmentation and paging. Segmentation allows each program to use several independent, protected address spaces. Paging supports a memory subsystem that simulates a large address space using a small amount of RAM and disk storage for physical memory. Either or both of these mechanisms can be used for management of the ST6x86 CPU memory address space.

2.6.1 Offset Mechanism

The offset mechanism computes an offset (effective) address by adding together one or more of three values: a base, an index and a displacement. When present, the base is the value of one of the eight 32-bit general registers. The index if present, like the base, is a value that is in one of the eight 32-bit general purpose registers (not including the ESP register). The index differs from the base in that the index is first multiplied by a scale factor of 1, 2, 4 or 8 before the summation is made. The third component added to the memory address calculation is the displacement. The displacement is a value of up to 32-bits in length supplied as part of the instruction. Figure 2.25 illustrates the calculation of the offset address.

Nine valid combinations of the base, index, scale factor and displacement can be used with the ST6x86 CPU instruction set. These combinations are listed in Table 2.24. The base and index both refer to contents of a register as indicated by [Base] and [Index].

Figure 2.25. Offset Address Calculation

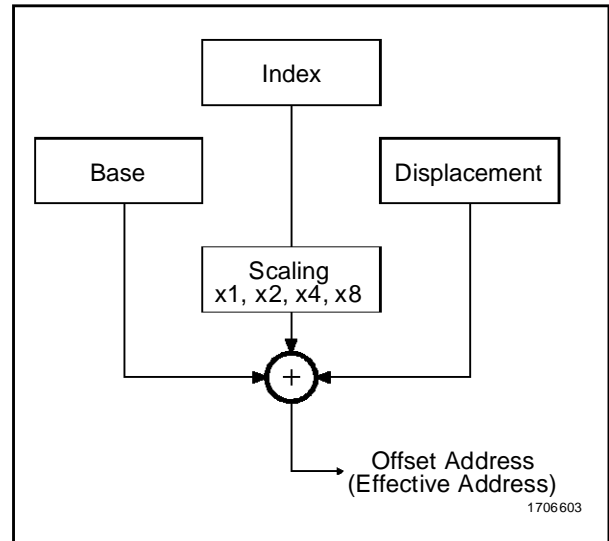


Table 2.24. Memory Addressing Modules

ADDRESSING MODE	BASE	INDEX	SCALE FACTOR (SF)	DISPLACEMENT (DP)	OFFSET ADDRESS (OA) CALCULATION
Direct				x	OA = DP
Register Indirect	x				OA = [BASE]
Based	x			x	OA = [BASE] + DP
Index		x		x	OA = [INDEX] + DP
Scaled Index		x	x	x	OA = ([INDEX] * SF) + DP
Based Index	x	x			OA = [BASE] + [INDEX]
Based Scaled Index	x	x	x		OA = [BASE] + ([INDEX] * SF)
Based Index with Displacement	x	x		x	OA = [BASE] + [INDEX] + DP
Based Scaled Index with Displacement	x	x	x	x	OA = [BASE] + ([INDEX] * SF) + DP

2.6.2 Memory Addressing

Real Mode Memory Addressing

In real mode operation, the ST6x86 CPU only addresses the lowest 1 MByte of memory. To calculate a physical memory address, the 16-bit segment base address located in the selected segment register is multiplied by 16 and then the 16-bit offset address is added. The resulting 20-bit address is then extended. Three hexadecimal zeros are added as upper address bits to create the 32-bit physical address. Figure 2.26 illustrates the real mode address calculation.

The addition of the base address and the offset address may result in a carry. Therefore, the resulting address may actually contain up to 21 significant address bits that can address memory in the first 64 KBytes above 1 MByte.

Protected Mode Memory Addressing

In protected mode, three mechanisms calculate a physical memory address (Figure 2.27).

- **Offset Mechanism** that produces the offset or effective address as in real mode.
- **Selector Mechanism** that produces the base address.
- Optional **Paging Mechanism** that translates a linear address to the physical memory address.

The offset and base address are added together to produce the linear address. If paging is not enabled, the linear address is used as the physical memory address. If paging is enabled, the paging mechanism is used to translate the linear address into the physical address. The offset mechanism is described earlier in this section and applies to both real and protected mode. The selector and paging mechanisms are described in the following paragraphs.

Figure 2.26. Real Mode Address Calculation

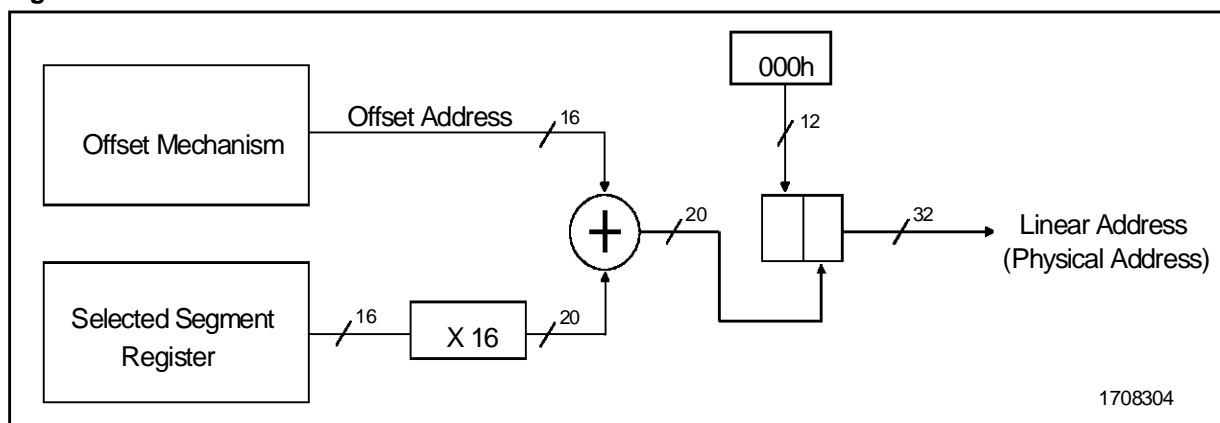
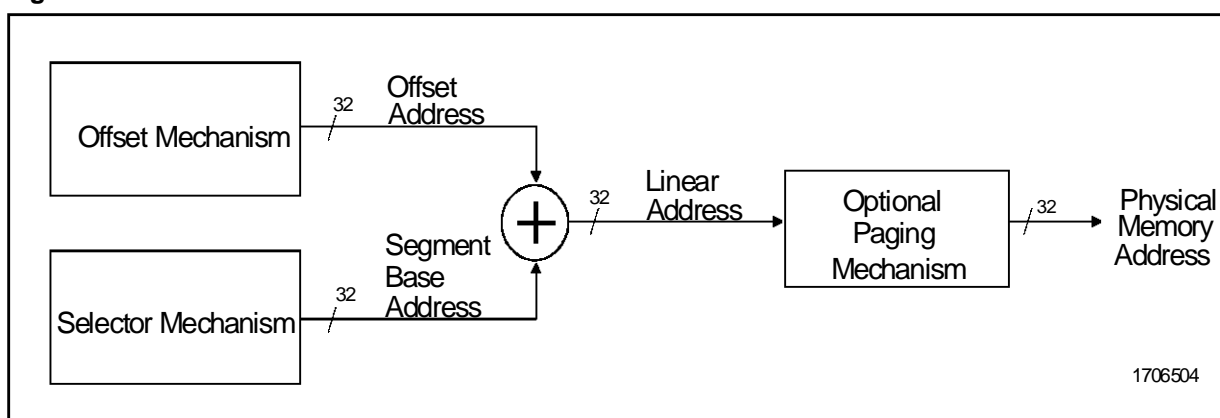


Figure 2.27. Protected Mode Address Calculation



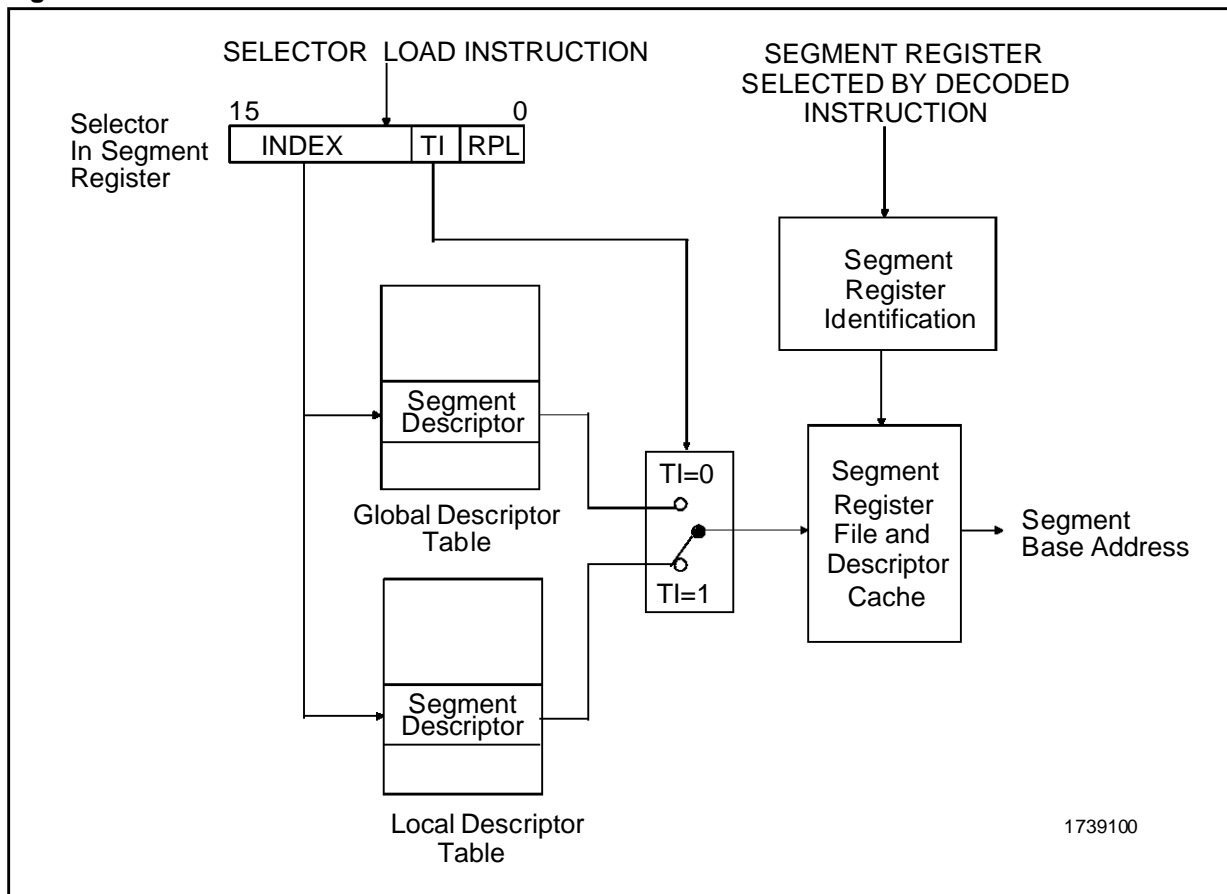
2.6.3 Selector Mechanism

Using segmentation, memory is divided into an arbitrary number of segments, each containing usually much less than the 2^{32} byte (4 GByte) maximum.

The six segment registers (CS, DS, SS, ES, FS and GS) each contain a 16-bit selector that is used when the register is loaded to locate a segment descriptor in either the global descriptor table (GDT) or the local descriptor table (LDT). The segment descriptor defines the base address,

limit, and attributes of the selected segment and is cached on the ST6x86 CPU as a result of loading the selector. The cached descriptor contents are not visible to the programmer. When a memory reference occurs in protected mode, the linear address is generated by adding the segment base address in the hidden portion of the segment register to the offset address. If paging is not enabled, this linear address is used as the physical memory address. Figure 2.28 illustrates the operation of the selector mechanism.

Figure 2.28. Selector Mechanism



2.6.4 Paging Mechanisms

The paging mechanisms (Figure 2.29) translate linear addresses to their corresponding physical addresses. For traditional paging, the page size is always 4 KBytes. If ST6x86 Variable-Size Paging is selected, a page size may be as large as 4 GBytes. Use of larger page sizes allows large memory areas such as video memory to be placed in a single page, eliminating page table thrashing.

Paging is activated when the PG and the PE bits within the CR0 register are set.

2.6.4.1 Traditional Paging Mechanism

The traditional paging mechanism translates the 20 most significant bits of a linear address to a physical address. The linear address is divided into three fields DTI, PTI, PFO (Figure 2.30). These fields respectively select:

- an entry in the directory table,
- an entry in the page table selected by the directory table
- the offset in the physical page selected by the page table

The directory table and all the page tables can be considered as pages as they are 4-KBytes in size and are aligned on 4-KByte boundaries. Each entry in these tables is 32 bits in length. The fields within the entries are detailed in Figure 2.30 and Table 2.25.

A single page directory table can address up to 4 GBytes of virtual memory (1,024 page tables—each table can select 1,024 pages and each page contains 4 KBytes).

Translation Lookaside Buffer (TLB) is made up of three caches Figure 2.30.

- the DTE Cache caches directory table entries
- the Main TLB caches page tables entries
- the Victim TLB stores PTEs that have been evicted from the Main TLB

The DTE cache is a 4-entry fully associative cache, the main TLB is a 128-entry direct mapped cache and the victim TLB is an 8-entry fully associative cache. The DTE cache caches the four most recent DTEs so that future TLB misses only require a single page table read to calculate the physical address. The DTE cache is disabled following RESET and is enabled by setting the DTE_EN bit (CCR4 bit4).

Figure 2.29. Paging Mechanisms

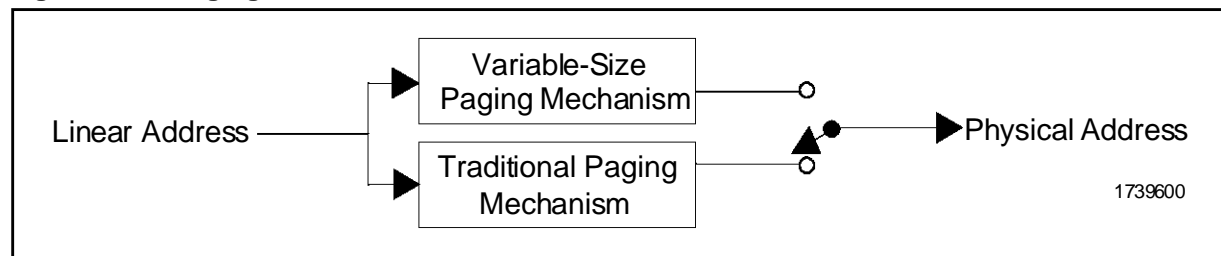


Figure 2.30. Traditional Paging Mechanism

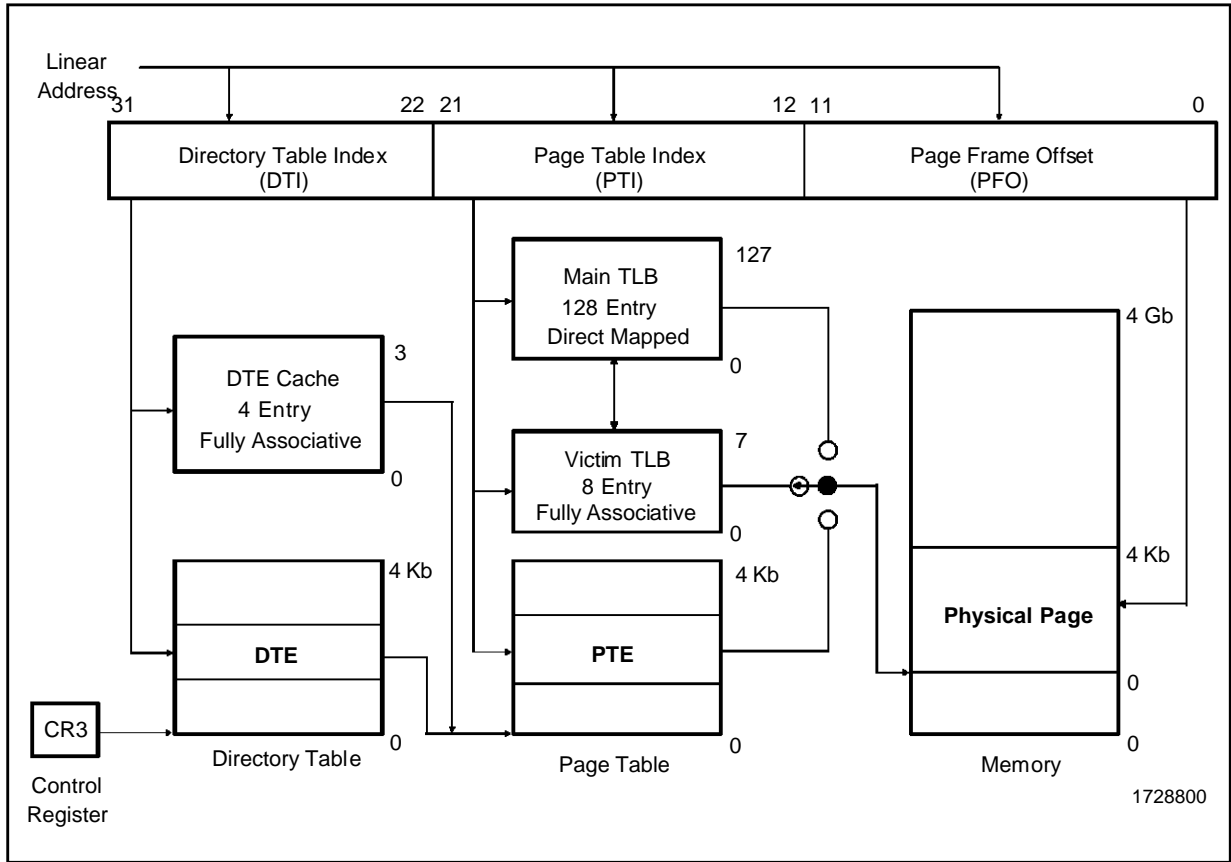


Figure 2.31. Directory and Page Table Entry (DTE and PTE) Format

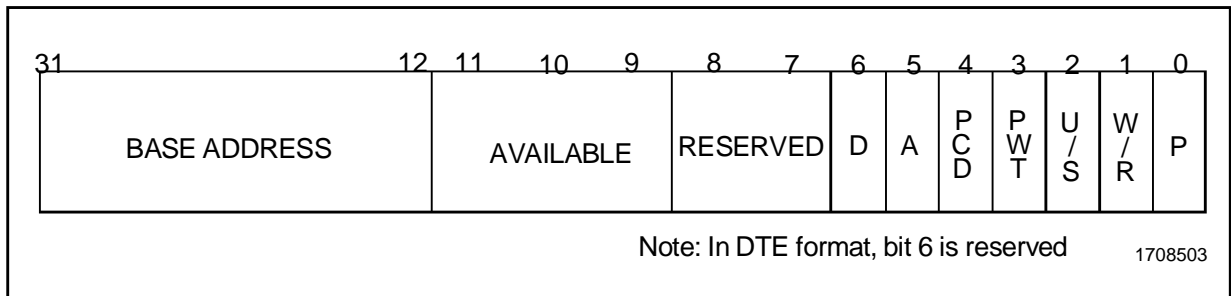


Table 2.25. Directory and Page Table Entry (DTE and PTE) Bit Definitions

BIT POSITION	FIELD NAME	DESCRIPTION
31-12	BASE ADDRESS	Specifies the base address of the page or page table.
11-9	--	Undefined and available to the programmer.
8-7	--	Reserved and not available to the programmer.
6	D	Dirty Bit. If set, indicates that a write access has occurred to the page (PTE only, undefined in DTE).
5	A	Accessed Flag. If set, indicates that a read access or write access has occurred to the page.
4	PCD	Page Caching Disable Flag. If set, indicates that the page is not cacheable in the on-chip cache.
3	PWT	Page Write-Through Flag. If set, indicates that writes to the page or page tables that hit in the on-chip cache must update both the cache and external memory.
2	U/S	User/Supervisor Attribute. If set (user), page is accessible at privilege level 3. If clear (supervisor), page is accessible only when $CPL \leq 2$.
1	W/R	Write/Read Attribute. If set (write), page is writable. If clear (read), page is read only.
0	P	Present Flag. If set, indicates that the page is present in RAM memory, and validates the remaining DTE/PTE bits. If clear, indicates that the page is not present in memory and the remaining DTE/PTE bits can be used by the programmer.

For a TLB hit, the TLB eliminates accesses to external directory and page tables.

The victim TLB increases the apparent associativity of the main TLB and helps eliminate TLB trashing (unproductive TLB management). When an entry in the main TLB is replaced, a copy of the replaced entry is sent to the victim TLB before the entry in the main TLB is overwritten. If the victim TLB receives a hit, its entry is swapped with a main TLB entry.

The TLB must be flushed by the software when entries in the page tables are changed. The TLB is flushed whenever the CR3 register is loaded. A particular page can be flushed from the TLB by using the INVLPG instruction. This instruction also flushes the entire DTE cache.

2.6.4.2 Translation Lookaside Buffer Testing

The TLB can be tested by writing to a main TLB followed by performing a TLB lookup (TLB read) to see if the expected contents are within the TLB. TLB test operations are performed using test register TR6 and TR7 shown in Figure 2.32. Tables 2.26 through 2.28 list the bit definitions for TR6 and TR7.

Main TLB Write. To perform a direct write to a main TLB entry, the TR7 register is configured with the desired physical address as well as the PCD and PWT bits. The BI, HV, HD and HB bits are not used. The TR6 register is then configured with the linear address, D, U, W and V bits. The D, U, and W bits must be complements of the D#, U#, and W# bits during a write. When the TR6 register is configured, the ST6x86 CPU writes the linear and physical address into the main TLB along with the A, D, U, and W bits. The main TLB entry is selected by bits 12 through 18 of the linear address field.

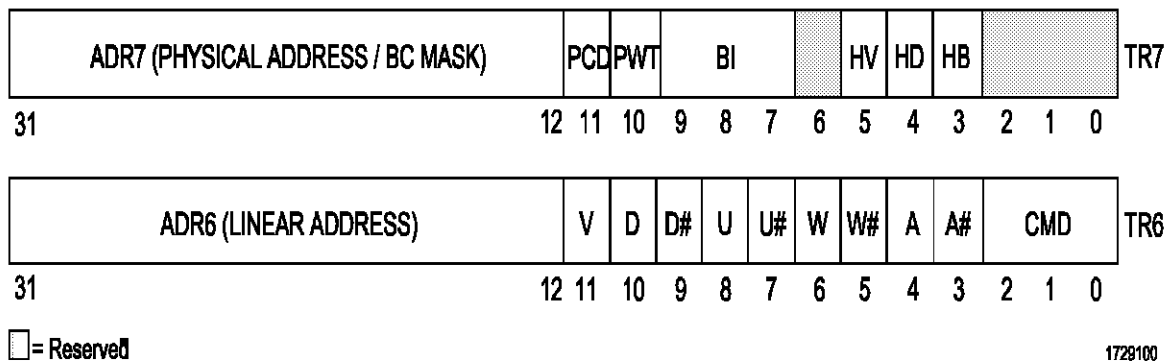
TLB Lookup. During a TLB lookup, the ST6x86 CPU queries the TLB with a given linear address and expected A, W, U and D values. The query returns a corresponding physical address, and the

source of the address. The address source could be from the main TLB, from the victim TLB or from the variable-size paging mechanism.

The TLB lookup involves a single TR6 register write. The CMD bits are set to 0x1. The D, U, W, D#, U# and W# bits are not used during TLB lookups.

After a TLB lookup, the HV, HD and HB bits in TR7 indicate which (if any) PTEs were found with the requested linear address. If a TLB entry was found for a PTE in the victim or variable size-paging cache, the BI bit in the TR7 register will contain the index of the particular entry. If multiple entries respond, only the HV, HD and HB bits are valid and all TR7 fields are undefined.

Figure 2.32. TLB Test Registers



1728100

Table 2.26. TLB Test Register Bit Definitions

REGISTER NAME	NAME	RANGE	DESCRIPTION
TR7	ADR7	31-12	Physical address or variable page size mechanism mask. TLB lookup: data field from the TLB. TLB write: data field written into the TLB.
	PCD	11	Page-level cache disable bit (PCD). Corresponds to the PCD bit of a page table entry.
	PWT	10	Page-level cache write-through bit (PWT). Corresponds to the PWT bit of a page table entry.
	BI	9-7	Cell index for victim TLB and block cache operations.
	HV	5	Victim TLB hit.
	HD	4	Main TLB hit.
	HB	3	Variable-Size Paging Mechanism hit.
TR6	ADR6	31-12	Linear Address. TLB lookup: The TLB is interrogated per this address. If one and only one match occurs in the TLB, the rest of the fields in TR6 and TR7 are updated per the matching TLB entry. TLB write: A TLB entry is allocated to this linear address.
	V	11	PTE Valid. TLB write: If set, indicates that the TLB entry contains valid data. If clear, target entry is invalidated.
	D, D#	10-9	Dirty Attribute Bit and its complement. Refer to Table 2.27.
	U, U#	8-7	User/Supervisor Attribute Bit and its complement. Refer to Table 2.27.
	W, W#	6-5	Write Protect bit and its complement. Refer to Table 2.27.
	A, A#	4-3	Accessed Bit and its complement. Used for block cache entries only. Refer to Table 2.27.
	CMD	2-0	Array Command Select. Determines TLB array command. Refer to Table 2.28.

Table 2.27. TR6 Attribute Bit Pairs

BIT	BIT#	EFFECT ON TLB LOOKUP	EFFECT ON TLB WRITE
0	0	Do not match.	Undefined.
0	1	If bit = 0, match.	Bit is cleared.
1	0	If bit = 1, match.	The bit is set.
1	1	If bit = 0 or 1, match.	Undefined.

Note: "BIT" applies to A, D, U or W fields in TR6; "BIT#" applies to A#, D#, U#, or W# fields in TR6.

Table 2.28. TR6 Command Bits

CMD	Command
0x0	Direct write to main TLB.
0x1	TLB lookup for a linear address in all arrays.
100	Write to variable page size mask only.
110	Write to variable page size linear and physical address fields.
101	Read variable page size mask and linear address.
111	Read variable page size cache physical and linear address.

Note: x = don't care

2.6.5 Variable-Size Paging Mechanism

The Variable-Size Paging Mechanism (VSPM) is an advanced alternative to traditional paging. As shown in Figure 2.33, VSPM allows the creation of pages ranging in size from 4 KBytes to 4 GBytes. The larger page size nearly eliminates page table thrashing associated with using multiple 4-KByte pages.

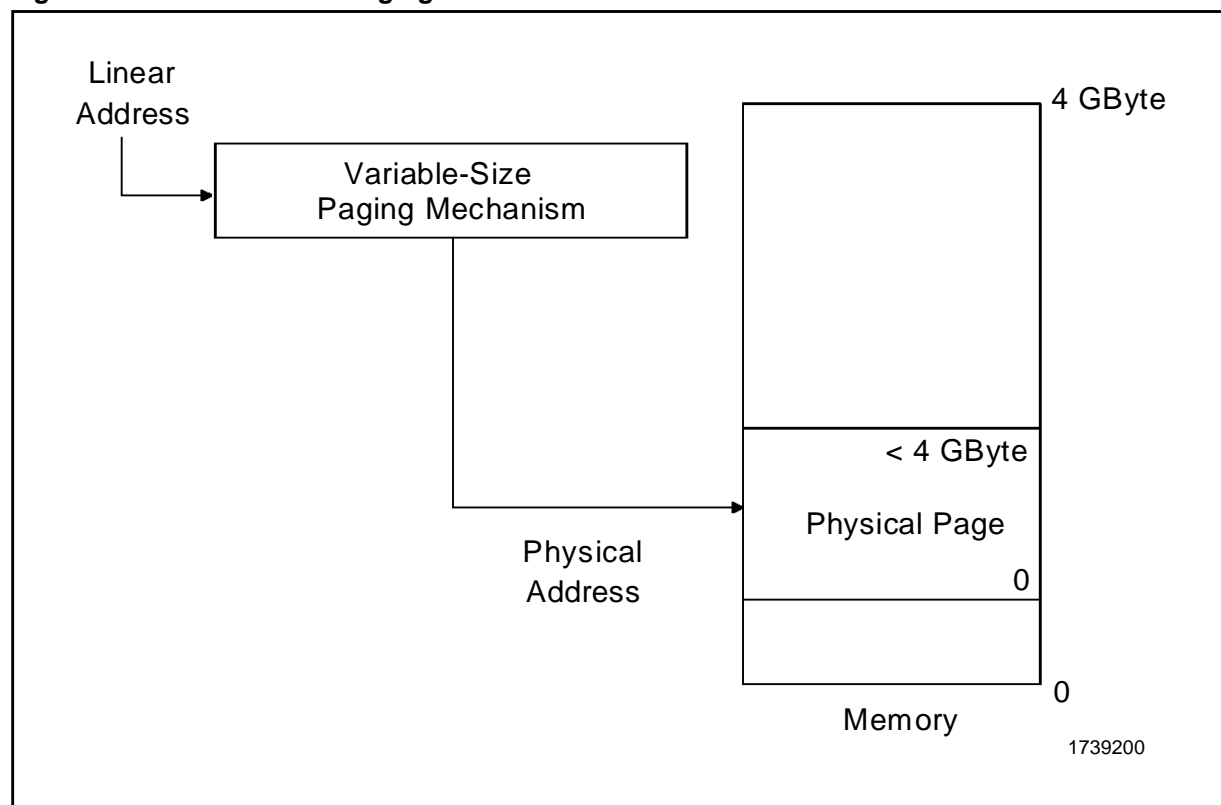
For example, paging 1 MByte of memory requires 256 4-KByte pages using traditional paging. The software not only incurs overhead during setting up the 256 pages, but also incurs additional overhead accessing the page tables each time a page is not found in the on-chip TLB. In contrast, a single 1-MByte page virtually eliminates the overhead.

Configuring Variable-Size Pages. The VSPM is configured using TLB test registers, TR6 and TR7 (These registers are also used to test the TLB). The VSPM configuration is performed in much the same manner as when writing to a line of the TLB (Refer to Section 2.6.4.2.). The major exception to this, is that a mask field is written to the VSPM as part of the VSPM configuration.

The physical address, linear address, valid bit and attribute bits in a main TLB write all have the same meaning as in a main TLB read except for that CMD=110. The BI field is used to select the VSPM cell to be written.

A VSPM mask setup operation is performed when CMD=100 and a test register write is performed. During a VSPM mask setup, the TR7 address field is used as the mask field. The mask field selectively masks linear address bits 31-12 from the VSPM tag compare. This has the effect of allowing the VSPM to map pages greater than 4 KBytes.

Figure 2.33. Variable-Size Paging Mechanism



After a VSPM mask setup, the valid bit, attribute bits, and the linear address are left in undefined states. Therefore, the VSPM mask setup should be performed prior to other VSPM operations.

Unlike the victim and main TLBs, the VSPM operations make use of the accessed bit. During a VSPM mask or physical address write the A and A# fields are written to the VSPM.

VSPM Reads. VSPM reads are performed with the address of the entry to be read in the BI field of the TR7 register and with CMD=111. The entry's and physical address is read into the TR6 and TR7 address fields as well as the valid bit, and attribute bits.

If CMD=101, the linear address, mask, valid bit and attribute bits are read.

2.7 Memory Caches

The ST6x86 CPU contains two memory caches as described in Chapter 1. The Unified Cache acts as the primary data cache, and secondary instruction cache. The Instruction Line Cache is the primary instruction cache and provides a high speed instruction stream for the Integer Unit.

The unified cache is dual-ported allowing simultaneous access to any two unique banks. Two different banks may be accessed at the same time permitting any two of the following operations to occur in parallel:

- Code fetch
- Data read (X pipe, Y pipe or FPU)
- Data write (X pipe, Y pipe or FPU).

2.7.1 Unified Cache MESI States

The unified cache lines are assigned one of four MESI states as determined by MESI bits stored in tag memory. Each 32-byte cache line is divided into two 16-byte sectors. Each sector contains its own MESI bits. The four MESI states are described below:

Modified MESI cache lines are those that have been updated by the CPU, but the corresponding main memory location has not yet been updated by an external write cycle. Modified cache lines are referred to as dirty cache lines.

Exclusive MESI lines are lines that are exclusive to the ST6x86 CPU and are not duplicated within another caching agent's cache within the same system. A write to this cache line may be performed without issuing an external write cycle.

Shared MESI lines may be present in another caching agent's cache within the same system. A write to this cache line forces a corresponding external write cycle.

Invalid MESI lines are cache lines that do not contain any valid data.

2.7.1.1 Unified Cache Testing

The unified cache can be tested through the use of TR3, TR4, and TR5 on-chip test registers. Fields within these test registers identify which area of cache will be selected for testing.

Cache Organization. The unified cache (Figure 2.34) is divided into 32-bytes lines. This cache is divided into four sets. Since a set (as well as the cache) is smaller than main memory, each line in the set corresponds to more than one line in main memory. When a cache line is allocated, bits A31-A12 of the main memory address are stored

in the cache line tag. The remaining address bits are used to identify the specific 32-byte cache line (A11-A5), and the specific 4-byte entry within the cache line (A4-A2).

Test Initiation. A test register operation is initiated by writing to the TR5 register shown in Figure 2.35 using a special MOV instruction. The TR5 CTL field, detailed in Table 2.29, determines the function to be performed. For cache writes, the registers TR4 and TR3 must be initialized before a write is made to TR5. Eight 4-byte accesses are required to access a complete cache line.

Figure 2.34. Unified Cache

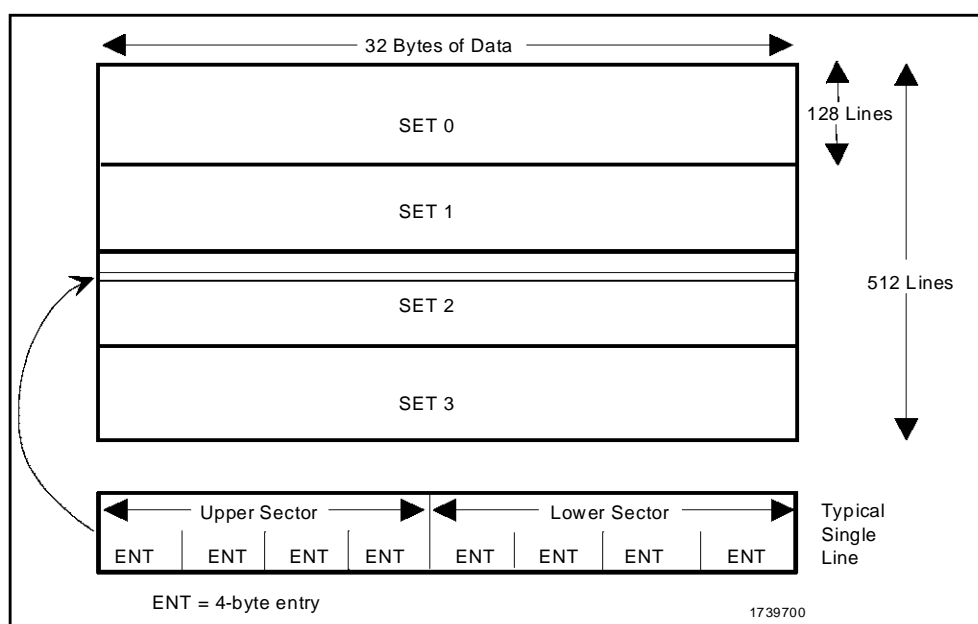


Figure 2.35. Cache Test Registers

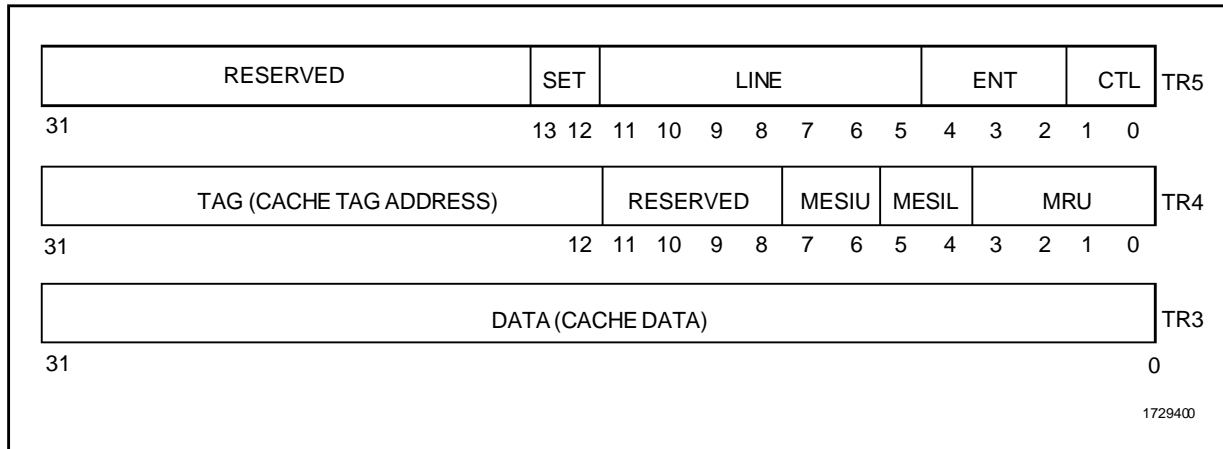


Table 2.29. Cache Test Register Bit Definitions

REGISTER NAME	FIELD NAME	RANGE	DESCRIPTION
TR5	SET	13 - 12	Cache set selection (one of four "sets").
	LINE	11 - 5	Cache line selection (one of 128 lines).
	ENT	4 - 2	Entry selection (one of eight 4-byte entries in a line).
	CTL	1 - 0	Control field If = 00: flush cache without invalidate If = 01: write cache If = 10: read cache If = 11: no cache or test register modification
TR4	TAG	31 - 12	Physical address for selected line
	MESIU	7 - 6	If = 00, Modified Upper Sector MESI bits If = 01, Shared Upper Sector MESI bits If = 10, Exclusive Upper Sector MESI bits If = 11, Invalid Upper Sector MESI bits*
	MESIL	5 - 4	If = 00, Modified Lower Sector MESI bits If = 01, Shared Lower Sector MESI bits If = 10, Exclusive Lower Sector MESI bits If = 11, Invalid Lower Sector MESI bits*
	MRU	3 - 0	Used to determine the Least Recently Used (LRU) line.
TR3	DATA	31 - 0	Data written or read during a cache test.

*Note: All 32 bytes should contain valid data before a line is marked as valid.

Write Operations. During a write, the TR3 DATA (32-bits) and TAG field information is written to the address selected by the SET, LINE, and ENT fields in TR5.

Read Operations. During a read, the cache address selected by the SET, LINE and ENT fields in TR5 are used to read data into the TR3 DATA (32-bits) field. The TAG, MESI and MRU fields in TR4 are updated with the information from the selected line. TR3 holds the selected read data.

Cache Flushing. A cache flush occurs during a TR5 write if the CTL field is set to zero. During flushing, the CPU's cache controller reads through all the lines in the cache. "Modified" lines are redefined as "shared" by setting the shared MESI bit. Clean lines are left in their original state.

2.8 Interrupts and Exceptions

The processing of either an interrupt or an exception changes the normal sequential flow of a program by transferring program control to a selected service routine. Except for SMM interrupts, the location of the selected service routine is determined by one of the interrupt vectors stored in the interrupt descriptor table.

Hardware interrupts are generated by signal sources external to the CPU. All exceptions (including so-called software interrupts) are produced internally by the CPU.

2.8.1 Interrupts

External events can interrupt normal program execution by using one of the three interrupt pins on the ST6x86 CPU.

- Non-maskable Interrupt (NMI pin)
- Maskable Interrupt (INTR pin)
- SMM Interrupt (SMI# pin).

For most interrupts, program transfer to the interrupt routine occurs after the current instruction has been completed. When the execution returns to the original program, it begins immediately following the last completed instruction.

With the exception of string operations, interrupts are acknowledged between instructions. Long string operations have interrupt windows between memory moves that allow interrupts to be acknowledged.

The **NMI interrupt** cannot be masked by software and always uses interrupt vector 2 to locate its service routine. Since the interrupt vector is fixed and is supplied internally, no interrupt acknowledge bus cycles are performed. This interrupt is normally reserved for unusual situations such as parity errors and has priority over INTR interrupts.

Once NMI processing has started, no additional NMIs are processed until an IRET instruction is executed, typically at the end of the NMI service routine. If NMI is re-asserted prior to execution of the IRET instruction, one and only one NMI rising edge is stored and processed after execution of the next IRET.

During the NMI service routine, maskable interrupts may be enabled (unmasked). If an unmasked INTR occurs during the NMI service routine, the INTR is serviced and execution returns to the NMI service routine following the next IRET. If a HALT instruction is executed within the NMI service routine, the ST6x86 CPU restarts execution only in response to RESET, an unmasked INTR or an SMM interrupt. NMI does not restart CPU execution under this condition.

The **INTR interrupt** is unmasked when the Interrupt Enable Flag (IF) in the EFLAGS register is set to 1. When an INTR interrupt occurs, the CPU performs two locked interrupt acknowledge bus cycles. During the second cycle, the CPU reads an 8-bit vector that is supplied by an external interrupt controller. This vector selects one of the 256 possible interrupt handlers which will be executed in response to the interrupt.

The **SMM interrupt** has higher priority than either INTR or NMI. After SMI# is asserted, program execution is passed to an SMI service routine that runs in SMM address space reserved for this purpose. The remainder of this section does not apply to the SMM interrupts. SMM interrupts are described in greater detail later in this chapter.

2.8.2 Exceptions

Exceptions are generated by an interrupt instruction or a program error. Exceptions are classified as traps, faults or aborts depending on the mechanism used to report them and the restartability of the instruction that first caused the exception.

A **Trap Exception** is reported immediately following the instruction that generated the trap exception. Trap exceptions are generated by execution of a software interrupt instruction (INTO, INT 3, INT n, BOUND), by a single-step operation or by a data breakpoint.

Software interrupts can be used to simulate hardware interrupts. For example, an INT n instruction causes the processor to execute the interrupt service routine pointed to by the nth vector in the interrupt table. Execution of the interrupt service routine occurs regardless of the state of the IF flag in the EFLAGS register.

The one byte INT 3, or breakpoint interrupt (vector 3), is a particular case of the INT n instruction. By inserting this one byte instruction in a program, the user can set breakpoints in the code that can be used during debug.

Single-step operation is enabled by setting the TF bit in the EFLAGS register. When TF is set, the CPU generates a debug exception (vector 1) after the execution of every instruction. Data breakpoints also generate a debug exception and are specified by loading the debug registers (DR0-DR7) with the appropriate values.

A **Fault Exception** is reported prior to completion of the instruction that generated the exception. By reporting the fault prior to instruction completion, the CPU is left in a state that allows the instruction to be restarted and the effects of the faulting instruction to be nullified. Fault exceptions include divide-by-zero errors, invalid opcodes, page faults and coprocessor errors. Instruction breakpoints (vector 1) are also handled as faults. After execution of the fault service routine, the instruction pointer points to the instruction that caused the fault.

An **Abort Exception** is a type of fault exception that is severe enough that the CPU cannot restart the program at the faulting instruction. The double fault (vector 8) is the only abort exception that occurs on the ST6x86 CPU.

2.8.3 Interrupt Vectors

When the CPU services an interrupt or exception, the current program's FLAGS, code segment and instruction pointer are pushed onto the stack to allow resumption of execution of the interrupted program. In protected mode, the processor also saves an error code for some exceptions. Program control is then transferred to the interrupt handler (also called the interrupt service routine). Upon execution of an IRET at the end of the service routine, program execution resumes by popping from the stack, the instruction pointer, code segment, and FLAGS.

Interrupt Vector Assignments

Each interrupt (except SMI#) and exception is assigned one of 256 interrupt vector numbers Table 2.30. The first 32 interrupt vector assignments are defined or reserved. INT instructions acting as software interrupts may use any of the interrupt vectors, 0 through 255.

Table 2.30. Interrupt Vector Assignments

INTERRUPT VECTOR	FUNCTION	EXCEPTION TYPE
0	Divide error	FAULT
1	Debug exception	TRAP/FAULT*
2	NMI interrupt	
3	Breakpoint	TRAP
4	Interrupt on overflow	TRAP
5	BOUND range exceeded	FAULT
6	Invalid opcode	FAULT
7	Device not available	FAULT
8	Double fault	ABORT
9	Reserved	
10	Invalid TSS	FAULT
11	Segment not present	FAULT
12	Stack fault	FAULT
13	General protection fault	TRAP/FAULT
14	Page fault	FAULT
15	Reserved	
16	FPU error	FAULT
17	Alignment check exception	FAULT
18-31	Reserved	
32-255	Maskable hardware interrupts	TRAP
0-255	Programmed interrupt	TRAP

*Note: Data breakpoints and single-steps are traps. All other debug exceptions are faults.

In response to a maskable hardware interrupt (INTR), the ST6x86 CPU issues interrupt acknowledge bus cycles used to read the vector number from external hardware. These vectors should be in the range 32 - 255 as vectors 0 - 31 are reserved.

Interrupt Descriptor Table

The interrupt vector number is used by the ST6x86 CPU to locate an entry in the interrupt descriptor table (IDT). In real mode, each IDT entry consists of a four-byte far pointer to the beginning of the corresponding interrupt service routine. In protected mode, each IDT entry is an eight-byte descriptor. The Interrupt Descriptor Table Register (IDTR) specifies the beginning address and limit of the IDT. Following reset, the IDTR contains a base address of 0h with a limit of 3FFh.

The IDT can be located anywhere in physical memory as determined by the IDTR register. The IDT may contain different types of descriptors: interrupt gates, trap gates and task gates. Interrupt gates are used primarily to enter a hardware interrupt handler. Trap gates are generally used to enter an exception handler or software interrupt handler. If an interrupt gate is used, the Interrupt Enable Flag (IF) in the EFLAGS register is cleared before the interrupt handler is entered. Task gates are used to make the transition to a new task.

2.8.4 Interrupt and Exception Priorities

As the ST6x86 CPU executes instructions, it follows a consistent policy for prioritizing exceptions and hardware interrupts. The priorities for competing interrupts and exceptions are listed in Table 2.31. Debug traps for the previous instruction and the next instructions always take precedence. SMM interrupts are the next priority. When NMI and maskable INTR interrupts are both detected at the same instruction boundary, the ST6x86 microprocessor services the NMI interrupt first.

The ST6x86 CPU checks for exceptions in parallel with instruction decoding and execution. Several exceptions can result from a single instruction. However, only one exception is generated upon each attempt to execute the instruction. Each exception service routine should make the appropriate corrections to the instruction and then restart the instruction. In this way, exceptions can be serviced until the instruction executes properly.

The ST6x86 CPU supports instruction restart after all faults, except when an instruction causes a task switch to a task whose task state segment (TSS) is partially not present. A TSS can be partially not present if the TSS is not page aligned and one of the pages where the TSS resides is not currently in memory.

Table 2.31. Interrupt and Exception Priorities

PRIORITY	DESCRIPTION	NOTES
0	Warm Reset	Caused by the assertion of WM_RST.
1	Debug traps and faults from previous instruction.	Includes single-step trap and data breakpoints specified in the debug registers.
2	Debug traps for next instruction.	Includes instruction execution breakpoints specified in the debug registers.
3	Hardware Cache Flush	Caused by the assertion of FLUSH#.
4	SMM hardware interrupt.	SMM interrupts are caused by SMI# asserted and always have highest priority.
5	Non-maskable hardware interrupt.	Caused by NMI asserted.
6	Maskable hardware interrupt.	Caused by INTR asserted and IF = 1.
7	Faults resulting from fetching the next instruction.	Includes segment not present, general protection fault and page fault.
8	Faults resulting from instruction decoding.	Includes illegal opcode, instruction too long, or privilege violation.
9	WAIT instruction and TS = 1 and MP = 1.	Device not available exception generated.
10	ESC instruction and EM = 1 or TS = 1.	Device not available exception generated.
11	Floating point error exception.	Caused by unmasked floating point exception with NE = 1.
12	Segmentation faults (for each memory reference required by the instruction) that prevent transferring the entire memory operand.	Includes segment not present, stack fault, and general protection fault.
13	Page Faults that prevent transferring the entire memory operand.	
14	Alignment check fault.	

2.8.5 Exceptions in Real Mode

Many of the exceptions described in Table 2.31 are not applicable in real mode. Exceptions 10, 11, and 14 do not occur in real mode.

Other exceptions have slightly different meanings in real mode as listed in Table 2.32.

Table 2.32. Exception Changes in Real Mode

VECTOR NUMBER	PROTECTED MODE FUNCTION	REAL MODE FUNCTION
8	Double fault.	Interrupt table limit overrun.
10	Invalid TSS.	x
11	Segment not present.	x
12	Stack fault.	SS segment limit overrun.
13	General protection fault.	CS, DS, ES, FS, GS segment limit overrun.
14	Page fault.	x

Note: x = does not occur

2.8.6 Error Codes

When operating in protected mode, the following exceptions generate a 16-bit error code:

- Double Fault
- Alignment Check
- Page Fault
- Invalid TSS
- Segment Not Present
- Stack Fault
- General Protection Fault

The error code is pushed onto the stack prior to entering the exception handler. The error code format is shown in Figure 2.36 and the error code bit definitions are listed in Table 2.33. Bits 15-3 (selector index) are not meaningful if the error code was generated as the result of a page fault. The error code is always zero for double faults and alignment check exceptions.

Figure 2.36. Error Code Format

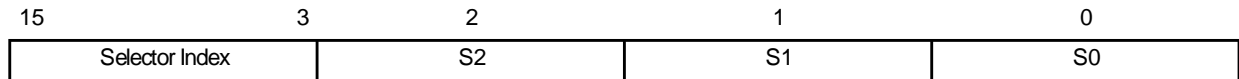


Table 2.33. Error Code Bit Definitions

FAULT TYPE	SELECTOR INDEX (BITS 15-3)	S2 (BIT 2)	S1 (BIT 1)	S0 (BIT 0)
Double Fault or Alignment Check	0	0	0	0
Page Fault	Reserved.	Fault caused by: 0 = not present page 1 = page-level protection violation.	Fault occurred during: 0 = read access 1 = write access.	Fault occurred during: 0 = supervisor access 1 = user access.
IDT Fault	Index of faulty IDT selector.	Reserved.	1	If = 1, exception occurred while trying to invoke exception or hardware interrupt handler.
Segment Fault	Index of faulty selector.	TI bit of faulty selector.	0	If =1, exception occurred while trying to invoke exception or hardware interrupt handler.

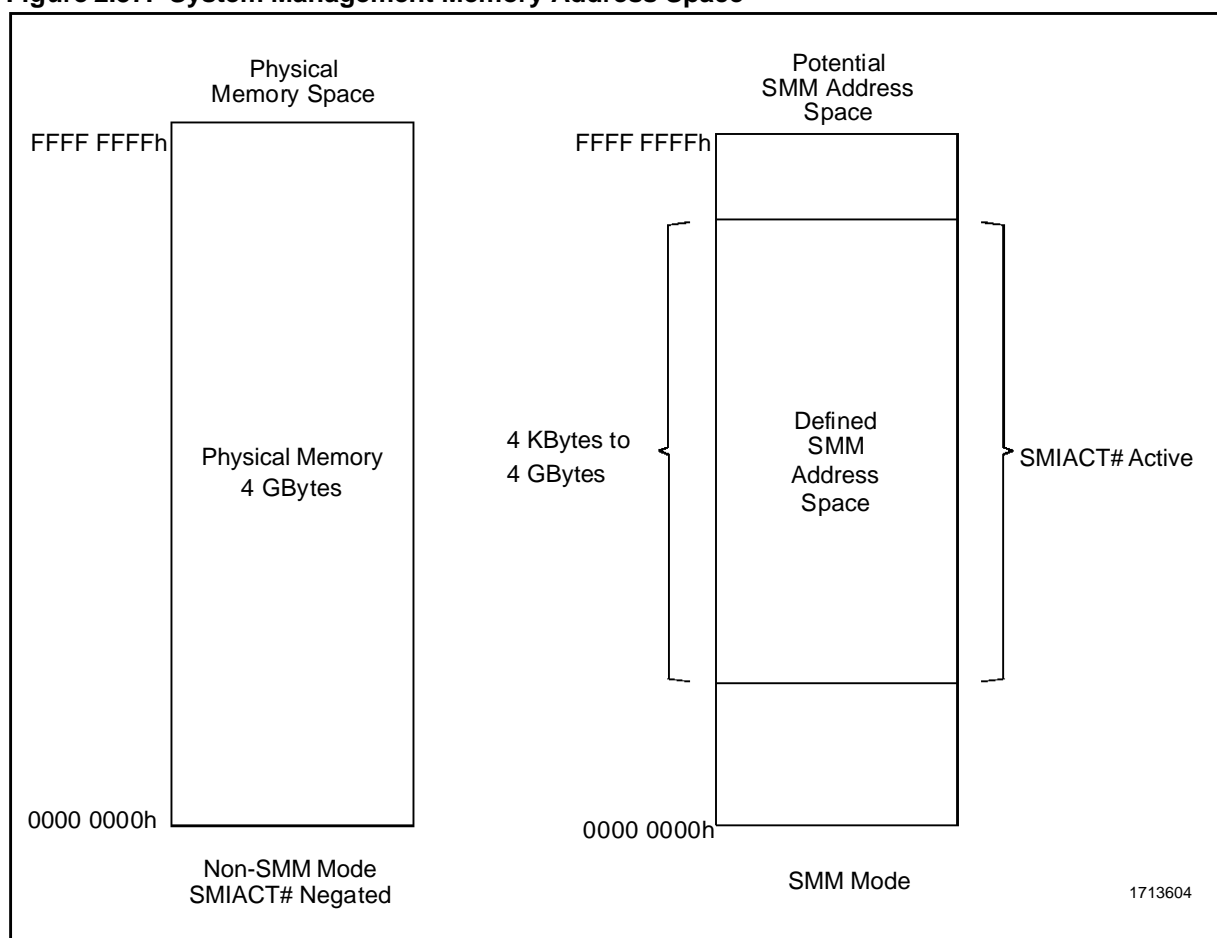
2.9 System Management Mode

System Management Mode (SMM) provides an additional interrupt which can be used for system power management or software transparent emulation of I/O peripherals. SMM is entered using the System Management Interrupt (SMI#) that has a higher priority than any other interrupt, including NMI. An SMI interrupt can also be triggered via software using an SMINT instruction. After an SMI interrupt, portions of the CPU state are auto-

matically saved, SMM is entered, and program execution begins at the base of SMM address space (Figure 2.37). Running in SMM address space, the interrupt routine does not interfere with the operating system or any application program.

Eight SMM instructions have been added to the x86 instruction set that permit software initiated SMM, and saving and restoring of the total CPU state when in SMM mode. Two SMM pins, SMI# and SMIACT#, support SMM functions.

Figure 2.37. System Management Memory Address Space



2.9.1 SMM Operation

SMM operation is summarized in Figure 2.38. Entering SMM requires the assertion of the SMI# pin for at least two CLK periods or execution of the SMINT instruction. For the SMI# or SMINT instruction to be recognized, the following configuration register bits must be set as shown in Figure 2.38. The configuration registers are discussed in detail earlier in this chapter.

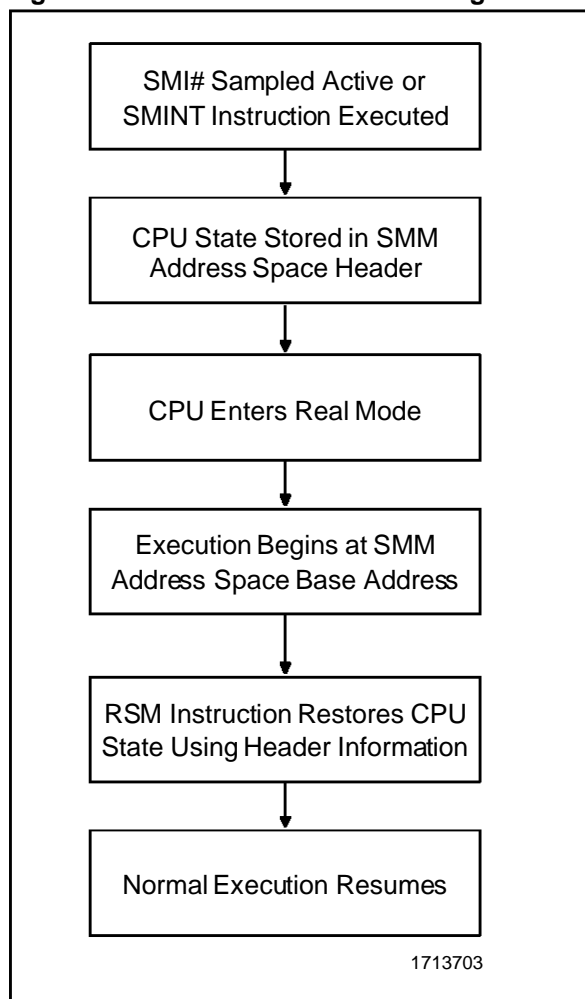
Table 2.34. Requirements for Recognizing SMI# and SMINT

REGISTER (Bit)		SMI#	SMINT
SMI	CCR1 (1)	1	1
SMAC	CCR1 (2)	0	1
ARR3	SIZE (3-0)	>0	>0
SM3	CCR1 (7)	1	1

After recognizing SMI# or SMINT and prior to executing the SMI service routine, some of the CPU state information is changed. Prior to modification, this information is automatically saved in the SMM memory space header located at the top of SMM memory space. After the header is saved, the CPU enters real mode and begins executing the SMI service routine starting at the SMM memory base address.

The SMI service routine is user definable and may contain system or power management software. If the power management software forces the CPU to power down, or the SMI service routine modifies more than what is automatically saved, the complete CPU state information can be saved.

Figure 2.38. SMI Execution Flow Diagram

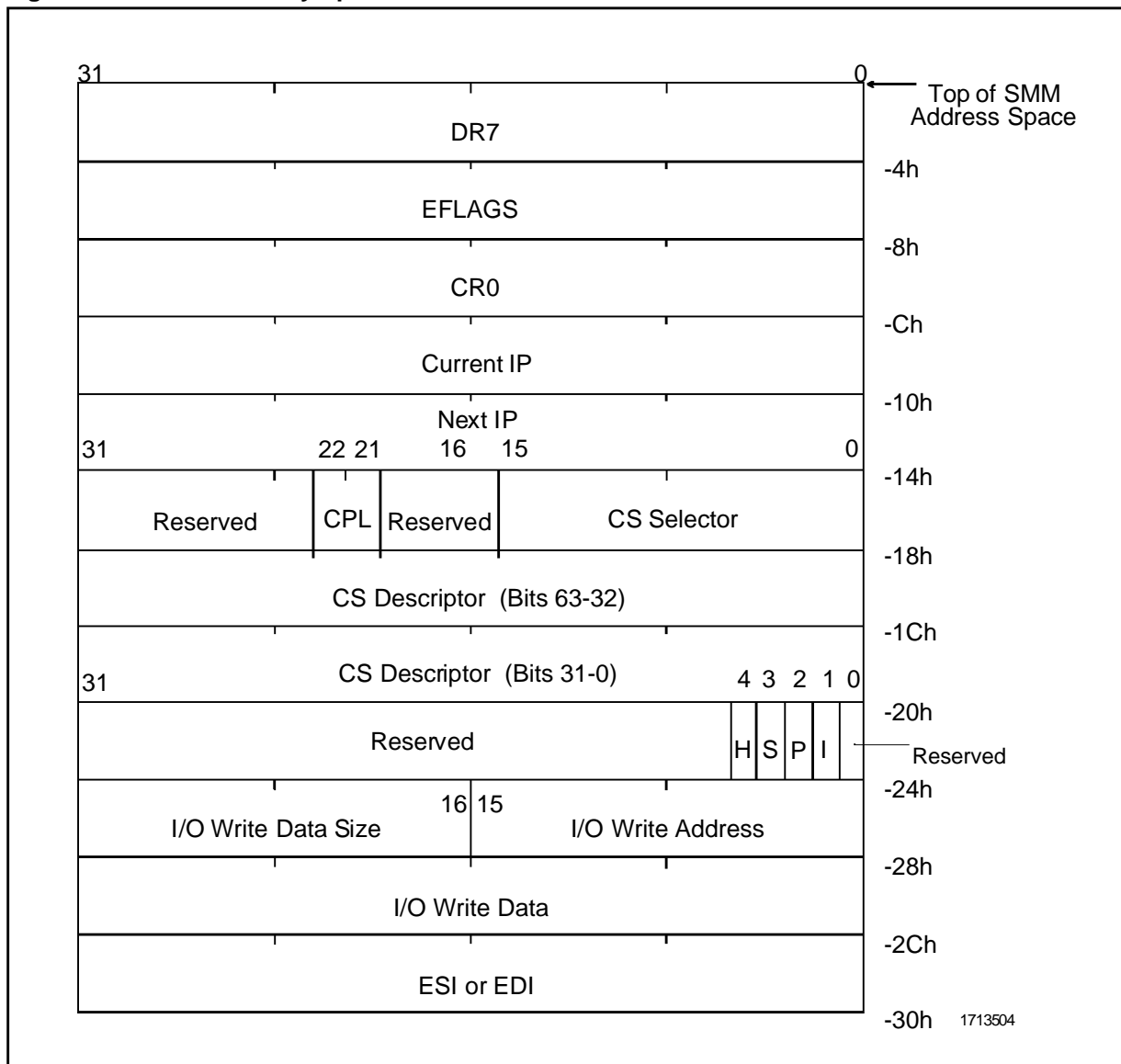


2.9.2 SMM Memory Space Header

With every SMI interrupt or SMINT instruction, certain CPU state information is automatically saved in the SMM memory space header located at the top of SMM address space as shown Figure 2.39 and Table 2.35.

The header contains CPU state information that is modified when servicing an SMI interrupt. Included in this information are two pointers. The Current IP points to the instruction that was executing when the SMI was detected.

Figure 2.39. SMM Memory Space Header



The Next IP points to the instruction that will be executed after exiting SMM. Also saved are the contents of debug register 7 (DR7), the extended flags register (EFLAGS), and control register 0 (CR0). If SMM has been entered due to an I/O trap for a REP INSx or REP OUTSx instruction, the Current IP and Next IP fields contain the same addresses and the I and P field contain valid information.

If entry into SMM was caused by an I/O trap it is useful for the programmer to know the port address, data size and data value associated with that I/O operation. This information is also saved in the header and is only valid for an I/O write operation. The I/O write information is not restored within the CPU when executing a RSM instruction.

Table 2.35. SMM Memory Space Header

NAME	DESCRIPTION	SIZE
DR7	The contents of Debug Register 7.	4 Bytes
EFLAGS	The contents of Extended Flags Register.	4 Bytes
CR0	The contents of Control Register 0.	4 Bytes
Current IP	The address of the instruction executed prior to servicing SMI interrupt.	4 Bytes
Next IP	The address of the next instruction that will be executed after exiting SMM mode.	4 Bytes
CS Selector	Code segment register selector for the current code segment.	2 Bytes
CPL	Current privilege level for current code segment.	2 Bits
CS Descriptor	Code segment register descriptor for the current code segment.	8 Bytes
H	If set indicates the processor was in a halt or shutdown prior to servicing the SMM interrupt.	1 Bit
S	Software SMM Entry Indicator. S = 1, if current SMM is the result of an SMINT instruction. S = 0, if current SMM is not the result of an SMINT instruction.	1 Bit
P	REP INSx/OUTSx Indicator. P = 1 if current instruction has a REP prefix. P = 0 if current instruction does not have a REP prefix.	1 Bit
I	IN, INSx, OUT, or OUTSx Indicator. I = 1 if current instruction performed is an I/O WRITE. I = 0 if current instruction performed is an I/O READ.	1 Bit
I/O Write Data Size	Indicates size of data for the trapped I/O write. 01h = byte 03h = word 0Fh = dword	2 Bytes
I/O Write Address	Processor port used for the trapped I/O write.	2 Bytes
I/O Write Data	Data associated with the trapped I/O write.	4 Bytes
ESI or EDI	Restored ESI or EDI value. Used when it is necessary to repeat a REP OUTSx or REP INSx instruction when one of the I/O cycles caused an SMI# trap.	4 Bytes

Note: INSx = INS, INSB, INSW or INSD instruction.

Note: OUTSx = OUTS, OUTSB, OUTSW and OUTSD instruction.

2.9.3 SMM Instructions

The ST6x86 CPU automatically saves the minimal amount of CPU state information when entering SMM which allows fast SMI service routine entry and exit. After entering the SMI service routine, the MOV, SVDC, SVLDT and SVTS instructions can be used to save the complete CPU state information. If the SMI service routine modifies more than what is automatically saved or forces the CPU to power down, the complete CPU state information must be saved. Since the CPU is a static device, its internal state is retained when the input clock is stopped. Therefore, an entire CPU state save is not necessary prior to stopping the input clock.

The new SMM instructions, listed in Table 2.36, can only be executed if:

- 1) SMI# = 0
- 2) SM3 = 1
- 3) ARR3 SIZE > 0
- 4) Current Privilege Level = 0
- 5) SMAC bit is set or the CPU is in an SMI service routine.

If the above conditions are not met and an attempt is made to execute an SVDC, RSDC, SVLDT, RSLDT, SVTS, RSTS, SMINT or RSM instruction, an invalid opcode exception is generated. These instructions can be executed outside of defined SMM space provided the above conditions are met.

The SMINT instruction may be used as a software controlled mechanism to enter SMM.

Table 2.36. SMM Instruction Set

INSTRUCTION	OPCODE	FORMAT	DESCRIPTION
SVDC	0F 78 [mod sreg3 r/m]	SVDC mem80, sreg3	<i>Save Segment Register and Descriptor</i> Saves reg (DS, ES, FS, GS, or SS) to mem80.
RSDC	0F 79 [mod sreg3 r/m]	RSDC sreg3, mem80	<i>Restore Segment Register and Descriptor</i> Restores reg (DS, ES, FS, GS, or SS) from mem80. Use RSM to restore CS. Note: Processing "RSDC CS, Mem80" will produce an exception.
SVLDT	0F 7A [mod 000 r/m]	SVLDT mem80	<i>Save LDTR and Descriptor</i> Saves Local Descriptor Table (LDTR) to mem80.
RSLDT	0F 7B [mod 000 r/m]	RSLDT mem80	<i>Restore LDTR and Descriptor</i> Restores Local Descriptor Table (LDTR) from mem80.
SVTS	0F 7C [mod 000 r/m]	SVTS mem80	<i>Save TSR and Descriptor</i> Saves Task State Register (TSR) to mem80.
RSTS	0F 7D [mod 000 r/m]	RSTS mem80	<i>Restore TSR and Descriptor</i> Restores Task State Register (TSR) from mem80.
SMINT	0F 7E	SMINT	Software SMM Entry CPU enters SMM mode. CPU state information is saved in SMM memory space header and execution begins at SMM base address.
RSM	0F AA	RSM	<i>Resume Normal Mode</i> Exits SMM mode. The CPU state is restored using the SMM memory space header and execution resumes at interrupted point.

Note: mem80 = 80-bit memory location

All of the SMM instructions (except RSM and SMINT) save or restore 80 bits of data, allowing the saved values to include the hidden portion of the register contents.

2.9.4 SMM Memory Space

SMM memory space is defined by setting the SM3 bit and specifying the base address and size of the SMM memory space in the ARR3 register. The base address must be a multiple of the SMM memory space size. For example, a 32 KByte SMM memory space must be located at a 32 KByte address boundary. The memory space size can range from 4 KBytes to 4 GBytes.

SMM memory space accesses are always non-cacheable. SMM accesses ignore the state of the A20M# input pin and drive the A20 address bit to the unmasked value.

SMM memory space can be accessed while in normal mode by setting the SMAC bit in the CCR1 register. This feature may be used to initialize the SMM memory space.

2.9.5 SMI Service Routine Execution

Upon entry into SMM, after the SMM header has been saved, the CR0, EFLAGS, and DR7 registers are set to their reset values. The Code Segment (CS) register is loaded with the base, as defined by the ARR3 register, and a limit of 4 GBytes. The SMI service routine then begins execution at the SMM base address in real mode.

The programmer must save the value of any registers that may be changed by the SMI service routine. For data accesses immediately after entering the SMI service routine, the programmer must use CS as a segment override. I/O port access is possible during the routine but care must be taken to save registers modified by the I/O instructions. Before using a segment register, the register and the register's descriptor cache contents should be saved using the SVDC instruction. While executing in the SMM space, execution flow can transfer to normal memory locations.

Hardware interrupts, (INTRs and NMIs), may be serviced during a SMI service routine. If interrupts are to be serviced while executing in the SMM memory space, the SMM memory space must be within the 0 to 1 MByte address range to guarantee proper return to the SMI service routine after handling the interrupt.

INTRs are automatically disabled when entering SMM since the IF flag is set to its reset value. Once in SMM, the INTR can be enabled by setting the IF flag. NMI is also automatically disabled when entering SMM. Once in SMM, NMI can be enabled by setting NMI_EN in CCR3. If NMI is not enabled, the CPU latches one NMI event and services the interrupt after NMI has been enabled or after exiting SMM through the RSM instruction.

Within the SMI service routine, protected mode may be entered and exited as required, and real or protected mode device drivers may be called.

To exit the SMI service routine, a Resume (RSM) instruction, rather than an IRET, is executed. The RSM instruction causes the ST6x86 processor to restore the CPU state using the SMM header information and resume execution at the interrupted point. If the full CPU state was saved by the programmer, the stored values should be reloaded prior to executing the RSM instruction using the MOV, RSDC, RSLDT and RSTS instructions.

CPU States Related to SMM and Suspend Mode

The state diagram shown in Figure 2.40 illustrates the various CPU states associated with SMM and suspend mode. While in the SMI service routine, the ST6x86 CPU can enter suspend mode either by (1) executing a halt (HLT) instruction or (2) by asserting the SUSP# input.

During SMM operations and while in SUSP# initiated suspend mode, an occurrence of SMI#, NMI, or INTR is latched. (In order for INTR to be latched, the IF flag must be set.) The INTR or NMI is serviced after exiting suspend mode.

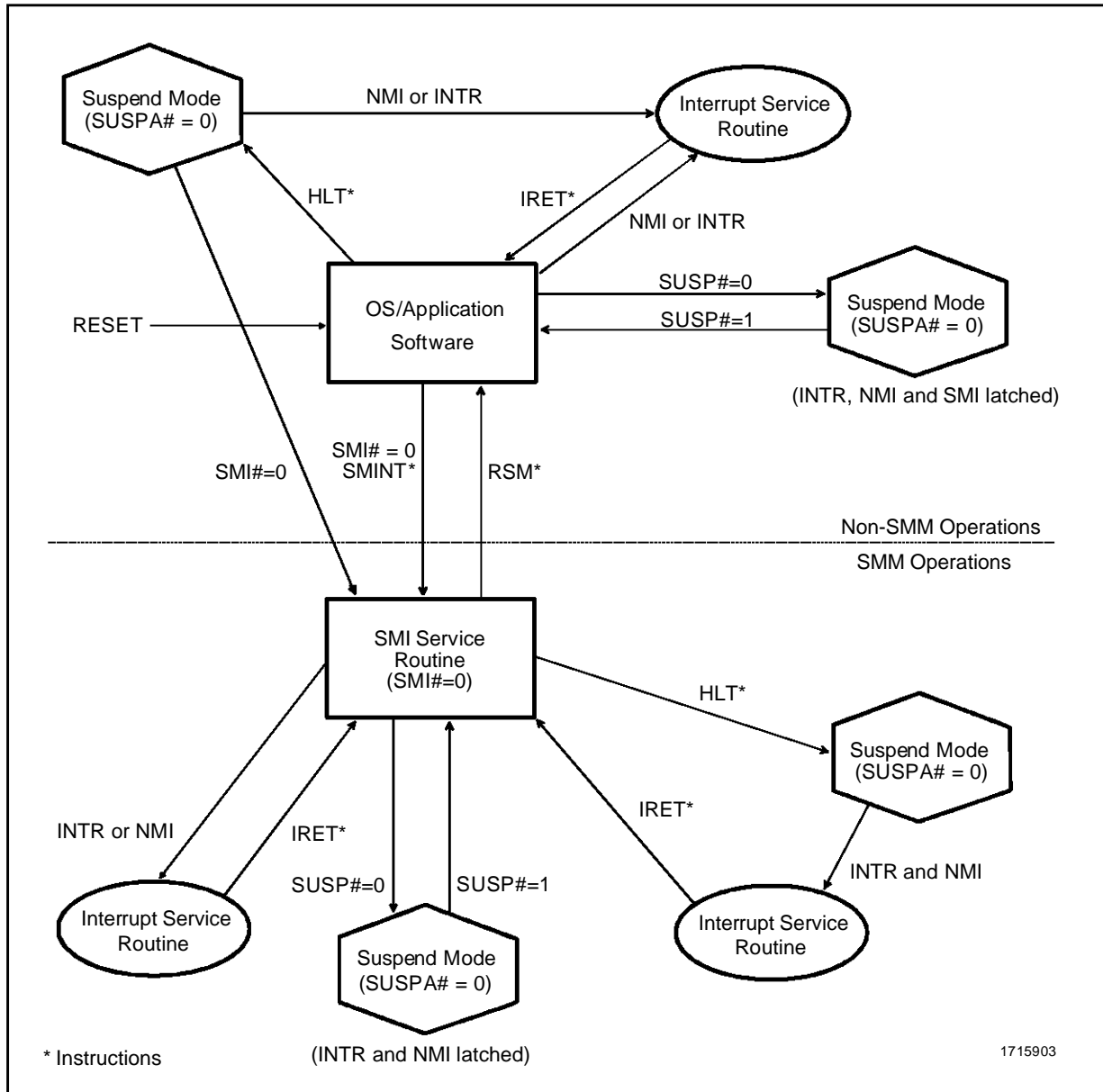
If suspend mode is entered via a HLT instruction from the operating system or application software, the reception of an SMI# interrupt causes the CPU to exit suspend mode and enter SMM.

2.10 Shutdown and Halt

The **Halt Instruction (HLT)** stops program execution and prevents the processor from using the local bus until restarted. The ST6x86 CPU then issues a special Stop Grant bus cycle and enters a low-power suspend mode if the SUSP_HLT bit in CCR2 is set. SMI, NMI, INTR with interrupts enabled (IF bit in EFLAGS=1), WM_RST or RESET forces the CPU out of the halt state. If interrupted, the saved code segment and instruction pointer specify the instruction following the HLT.

Shutdown occurs when a severe error is detected that prevents further processing. An NMI input can bring the processor out of shutdown if the IDT limit is large enough to contain the NMI interrupt vector and the stack has enough room to contain the vector and flag information. Otherwise, shutdown can only be exited by a processor reset.

Figure 2.40. SMM and Suspend Mode State Diagram



2.11 Protection

Segment protection and page protection are safeguards built into the ST6x86 CPU protected mode architecture which deny unauthorized or incorrect access to selected memory addresses. These safeguards allow multitasking programs to be isolated from each other and from the operating system. Page protection is discussed earlier in this chapter. This section concentrates on segment protection.

Selectors and descriptors are the key elements in the segment protection mechanism. The segment base address, size, and privilege level are established by a segment descriptor. Privilege levels control the use of privileged instructions, I/O instructions and access to segments and segment descriptors. Selectors are used to locate segment descriptors.

Segment accesses are divided into two basic types, those involving code segments (e.g., control transfers) and those involving data accesses. The ability of a task to access a segment depends on the:

- segment type
- instruction requesting access
- type of descriptor used to define the segment
- associated privilege levels (described below).

Data stored in a segment can be accessed only by code executing at the same or a more privileged level. A code segment or procedure can only be called by a task executing at the same or a less privileged level.

2.11.1 Privilege Levels

The values for privilege levels range between 0 and 3. Level 0 is the highest privilege level (most privileged), and level 3 is the lowest privilege level (least privileged). The privilege level in real mode is effectively 0.

The **Descriptor Privilege Level (DPL)** is the privilege level defined for a segment in the segment descriptor. The DPL field specifies the minimum privilege level needed to access the memory segment pointed to by the descriptor.

The **Current Privilege Level (CPL)** is defined as the current task's privilege level. The CPL of an executing task is stored in the hidden portion of the code segment register and essentially is the DPL for the current code segment.

The **Requested Privilege Level (RPL)** specifies a selector's privilege level and is used to distinguish between the privilege level of a routine actually accessing memory (the CPL), and the privilege level of the original requestor (the RPL) of the memory access. The lesser of the RPL and CPL is called the effective privilege level (EPL). Therefore, if $RPL = 0$ in a segment selector, the effective privilege level is always determined by the CPL. If $RPL = 3$, the effective privilege level is always 3 regardless of the CPL.

For a memory access to succeed, the effective privilege level (EPL) must be at least as privileged as the descriptor privilege level ($EPL \leq DPL$). If the EPL is less privileged than the DPL ($EPL > DPL$), a general protection fault is generated. For example, if a segment has a $DPL = 2$, an instruction accessing the segment only succeeds if executed with an $EPL \leq 2$.

2.11.2 I/O Privilege Levels

The I/O Privilege Level (IOPL) allows the operating system executing at CPL=0 to define the least privileged level at which IOPL-sensitive instructions can unconditionally be used. The IOPL-sensitive instructions include CLI, IN, OUT, INS, OUTS, REP INS, REP OUTS, and STI. Modification of the IF bit in the EFLAGS register is also sensitive to the I/O privilege level. The IOPL is stored in the EFLAGS register.

An I/O permission bit map is available as defined by the 32-bit Task State Segment (TSS). Since each task can have its own TSS, access to individual processor I/O ports can be granted through separate I/O permission bit maps.

If $CPL \leq IOPL$, IOPL-sensitive operations can be performed. If $CPL > IOPL$, a general protection fault is generated if the current task is associated with a 16-bit TSS. If the current task is associated with a 32-bit TSS and $CPL > IOPL$, the CPU consults the I/O permission bitmap in the TSS to determine on a port-by-port basis whether or not I/O instructions (IN, OUT, INS, OUTS, REP INS, REP OUTS) are permitted, and the remaining IOPL-sensitive operations generate a general protection fault.

2.11.3 Privilege Level Transfers

A task's CPL can be changed only through inter-segment control transfers using gates or task switches to a code segment with a different privilege level. Control transfers result from exception and interrupt servicing and from execution of the CALL, JMP, INT, IRET and RET instructions.

There are five types of control transfers that are summarized in Table 2.37. Control transfers can be made only when the operation causing the control transfer references the correct descriptor type. Any violation of these descriptor usage rules causes a general protection fault.

Any control transfer that changes the CPL within a task results in a change of stack. The initial values for the stack segment (SS) and stack pointer (ESP) for privilege levels 0, 1, and 2 are stored in the TSS. During a CALL control transfer, the SS and ESP are loaded with the new stack pointer and the previous stack pointer is saved on the new stack. When returning to the original privilege level, the RET or IRET instruction restores the less-privileged stack.

Table 2.37. Descriptor Types Used for Control Transfer

TYPE OF CONTROL TRANSFER	OPERATION TYPES	DESCRIPTOR REFERENCED	DESCRIPTOR TABLE
Intersegment within the same privilege level.	JMP, CALL, RET, IRET*	Code Segment	GDT or LDT
Intersegment to the same or a more privileged level. Interrupt within task (could change CPL level).	CALL	Gate Call	GDT or LDT
	Interrupt Instruction, Exception, External Interrupt	Trap or Interrupt Gate	IDT
Intersegment to a less privileged level (changes task CPL).	RET, IRET*	Code Segment	GDT or LDT
Task Switch via TSS	CALL, JMP	Task State Segment	GDT
Task Switch via Task Gate	CALL, JMP	Task Gate	GDT or LDT
	IRET**, Interrupt Instruction, Exception, External Interrupt	Task Gate	IDT

* NT (Nested Task bit in EFLAGS) = 0

** NT (Nested Task bit in EFLAGS) = 1

Gates

Gate descriptors provide protection for privilege transfers among executable segments. Gates are used to transition to routines of the same or a more privileged level. Call gates, interrupt gates and trap gates are used for privilege transfers within a task. Task gates are used to transfer between tasks.

Gates conform to the standard rules of privilege. In other words, gates can be accessed by a task if the effective privilege level (EPL) is the same or more privileged than the gate descriptor's privilege level (DPL).

2.11.4 Initialization and Transition to Protected Mode

The ST6x86 microprocessor switches to real mode immediately after RESET. While operating in real mode, the system tables and registers should be initialized. The GDTR and IDTR must point to a valid GDT and IDT, respectively. The GDT must contain descriptors which describe the initial code and data segments.

The processor can be placed in protected mode by setting the PE bit in the CR0 register. After enabling protected mode, the CS register should be loaded and the instruction decode queue should be flushed by executing an intersegment JMP. Finally, all data segment registers should be initialized with appropriate selector values.

2.12 Virtual 8086 Mode

Both real mode and virtual 8086 (V86) mode are supported by the ST6x86 CPU allowing execution of 8086 application programs and 8086 operating systems. V86 mode allows the execution of 8086-type applications, yet still permits use of the ST6x86 CPU paging mechanism. V86 tasks run at privilege level 3. When loaded, all segment limits are set to FFFFh (64K) as in real mode.

2.12.1 V86 Memory Addressing

While in V86 mode, segment registers are used in an identical fashion to real mode. The contents of the segment register are multiplied by 16 and added to the offset to form the segment base linear address. The ST6x86 CPU permits the operating system to select which programs use the V86 address mechanism and which programs use protected mode addressing for each task.

The ST6x86 CPU also permits the use of paging when operating in V86 mode. Using paging, the 1-MByte address space of the V86 task can be mapped to anywhere in the 4-GByte linear address space of the ST6x86 CPU.

The paging hardware allows multiple V86 tasks to run concurrently, and provides protection and operating system isolation. The paging hardware must be enabled to run multiple V86 tasks or to relocate the address space of a V86 task to physical address space greater than 1 MByte.

2.12.2 V86 Protection

All V86 tasks operate with the least amount of privilege (level 3) and are subject to all of the ST6x86 CPU protected mode protection checks. As a result, any attempt to execute a privileged instruction within a V86 task results in a general protection fault.

In V86 mode, a slightly different set of instructions are sensitive to the I/O privilege level (IOPL) than in protected mode. These instructions are: CLI, INT n, IRET, POPF, PUSHF, and STI. The INT3, INTO and BOUND variations of the INT instruction are not IOPL sensitive.

2.12.3 V86 Interrupt Handling

To fully support the emulation of an 8086-type machine, interrupts in V86 mode are handled as follows. When an interrupt or exception is serviced in V86 mode, program execution transfers to the interrupt service routine at privilege level 0 (i.e., transition from V86 to protected mode occurs) and the VM bit in the EFLAGS register is cleared. The protected mode interrupt service routine then determines if the interrupt came from a protected mode or V86 application by examining the VM bit in the EFLAGS image stored on the stack. The interrupt service routine may then choose to allow the 8086 operating system to handle the interrupt or may emulate the function of the interrupt handler. Following completion of the interrupt service routine, an IRET instruction restores the EFLAGS register (restores VM=1) and segment selectors and control returns to the interrupted V86 task.

2.12.4 Entering and Leaving V86 Mode

V86 mode is entered from protected mode by either executing an IRET instruction at CPL = 0 or by task switching. If an IRET is used, the stack must contain an EFLAGS image with VM = 1. If a task switch is used, the TSS must contain an EFLAGS image containing a 1 in the VM bit position. The POPF instruction cannot be used to enter V86 mode since the state of the VM bit is not affected. V86 mode can only be exited as the result of an interrupt or exception. The transition out must use a 32-bit trap or interrupt gate which must point to a non-conforming privilege level 0 segment (DPL = 0), or a 32-bit TSS. These restrictions are required to permit the trap handler to IRET back to the V86 program.

2.13 Floating Point Unit Operations

The ST6x86 CPU includes an on-chip FPU that provides the user access to a complete set of floating point instructions (see Chapter 6). Information is passed to and from the FPU using eight data registers accessed in a stack-like manner, a control register, and a status register. The ST6x86 CPU also provides a data register tag word which improves context switching and performance by maintaining empty/non-empty status for each of the eight data registers. In addition, registers in the CPU contain pointers to (a) the memory location containing the current instruction word and (b) the memory location containing the operand associated with the current instruction word (if any).

FPU Tag Word Register. The ST6x86 CPU maintains a tag word register ((Figure 2.41)) comprised of two bits for each physical data register. Tag Word fields assume one of four values depending on the contents of their associated data registers, Valid (00), Zero (01), Special (10), and Empty (11). Note: Denormal, Infinity, QNaN, SNaN and unsupported formats are tagged as "Special". Tag values are maintained transparently by the ST6x86 CPU and are only available to the programmer indirectly through the FSTENV and FSAVE instructions.

FPU Control and Status Registers. The FPU circuitry communicates information about its status and the results of operations to the programmer via the status register. The FPU status register is comprised of bit fields that reflect exception status, operation execution status, register status, operand class, and comparison results. The FPU status register bit definitions are shown in Figure 2.42 and Table 2.38.

The FPU Mode Control Register (MCR) is used by the CPU to specify the operating mode of the FPU. The MCR contains bit fields which specify the rounding mode to be used, the precision by which to calculate results, and the exception conditions which should be reported to the CPU via traps. The user controls precision, rounding, and exception reporting by setting or clearing appropriate bits in the MCR. The FPU mode control register bit definitions are shown in Figure 2.43 and Table 2.39.

Figure 2.41. FPU Tag Word Register

15	14	13	12	11	10	9	8	7	6	5	4	3	2	1	0
Tag(7)		Tag(6)		Tag(5)		Tag(4)		Tag(3)		Tag(2)		Tag(1)		Tag(0)	

Figure 2.42. FPU Status Register

15			12	11			8	7			4	3				0
B	C3	S	S	S	C2	C1	C0	ES	SF	P	U	O	Z	D	I	

Table 2.38. FPU Status Register Bit Definitions

BIT POSITION	NAME	DESCRIPTION
15	B	Copy of the ES bit. (ES is bit 7 in this table.)
14, 10 - 8	C3 - C0	Condition code bits.
13 - 11	SSS	Top of stack register number which points to the current TOS.
7	ES	Error indicator. Set to 1 if an unmasked exception is detected.
6	SF	Stack Fault or invalid register operation bit.
5	P	Precision error exception bit.
4	U	Underflow error exception bit.
3	O	Overflow error exception bit.
2	Z	Divide by zero exception bit.
1	D	Denormalized operand error exception bit.
0	I	Invalid operation exception bit.

Figure 2.43. FPU Mode Control Register

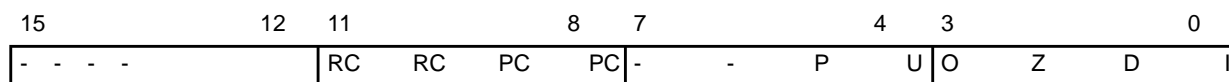


Table 2.39. FPU Mode Control Register Bit Definitions

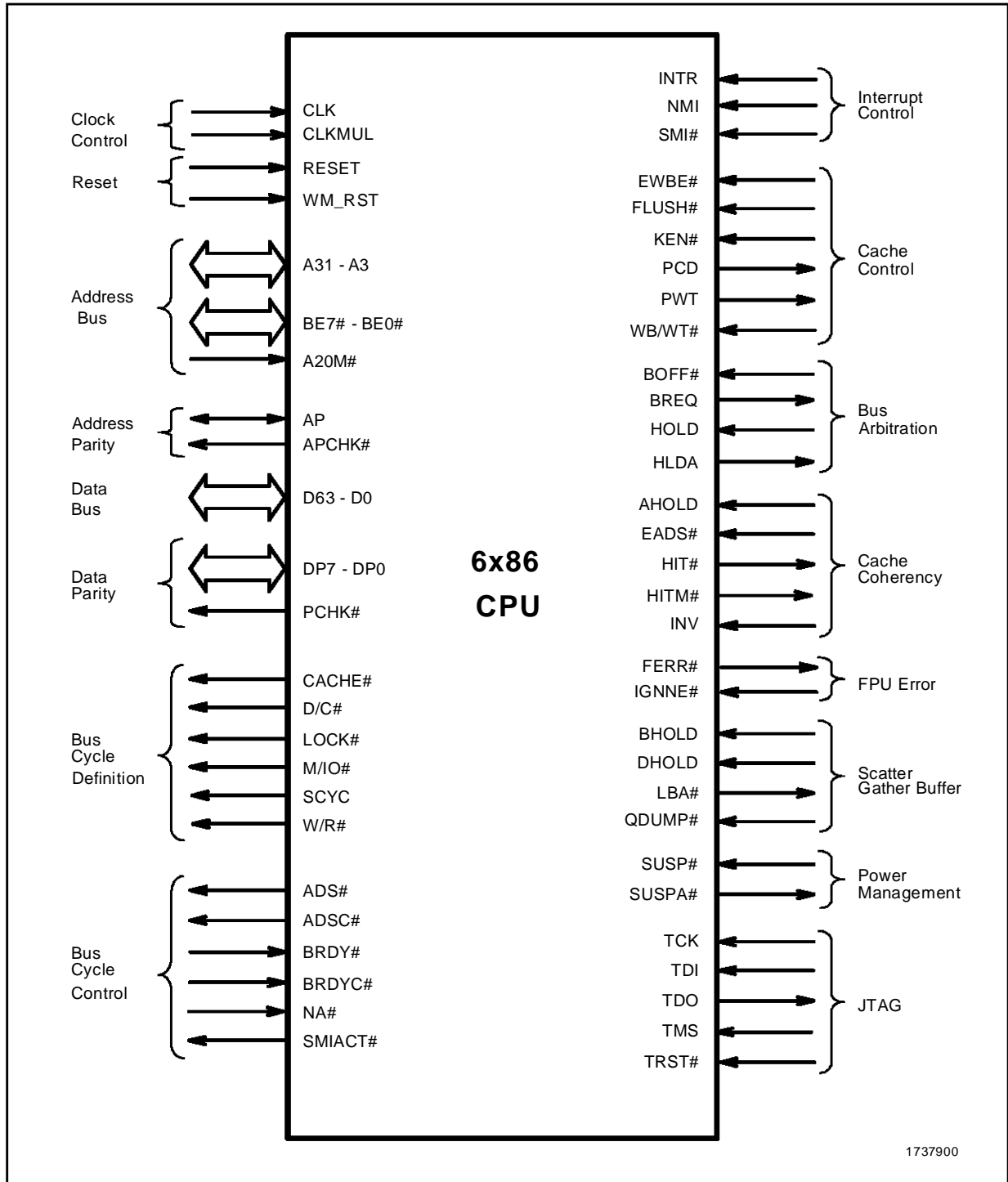
BIT POSITION	NAME	DESCRIPTION
11 - 10	RC	Rounding Control bits: 00 Round to nearest or even 01 Round towards minus infinity 10 Round towards plus infinity 11 Truncate
9 - 8	PC	Precision Control bits: 00 24-bit mantissa 01 Reserved 10 53-bit mantissa 11 64-bit mantissa
5	P	Precision error exception bit mask.
4	U	Underflow error exception bit mask.
3	O	Overflow error exception bit mask.
2	Z	Divide by zero exception bit mask.
1	D	Denormalized operand error exception bit mask.
0	I	Invalid operation exception bit mask.

3.0 ST6x86 BUS INTERFACE

The signals used in the ST6x86 CPU bus interface are described in this chapter. Figure 3.1 shows the

signal directions and the major signal groupings. A description of each signal and their reference to the text are provided in Table 3.1.

Figure 3.1. ST6x86 CPU Functional Signal Groupings



3.1 Signal Description Table

The Signal Summary Table (3.1) describes the signals in their active state unless otherwise mentioned. Signals containing slashes (/) have logic

levels defined as "1/0." For example the signal W/R#, is defined as write when W/R#=1, and as read when W/R#=0. Signals ending with a "#" character are active low.

Table 3.1. ST6x86 CPU Signals Sorted by Signal Name

Signal Name	Description	I/O	Reference
A20M#	A20 Mask causes the CPU to mask (force to 0) the A20 address bit when driving the external address bus or performing an internal cache access. A20M# is provided to emulate the 1 MByte address wrap-around that occurs on the 8086. Snoop addressing is not effected.	Input	Page 3-8
A31-A3	The Address Bus , in conjunction with the Byte Enable signals (BE7#-BE0#), provides addresses for physical memory and external I/O devices. During cache inquiry cycles, A31-A5 are used as inputs to perform cache line invalidations.	3-state I/O	Page 3-8
ADS#	Address Strobe begins a memory/I/O cycle and indicates the address bus (A31-A3, BE7#-BE0#) and bus cycle definition signals (CACHE#, D/C#, LOCK#, M/I/O#, PCD, PWT, SCYC, W/R#) are valid.	Output	Page 3-12
ADSC#	Cache Address Strobe performs the same function as ADS#.	Output	Page 3-12
AHOLD	Address Hold allows another bus master access to the ST6x86 CPU address bus for a cache inquiry cycle. In response to the assertion of AHOLD, the CPU floats AP and A31-A3 in the following clock cycle.	Input	Page 3-17
AP	Address Parity is the even parity output signal for address lines A31-A5 (A4 and A3 are excluded). During cache inquiry cycles, AP is the even-parity input to the CPU, and is sampled with EADS# to produce correct parity check status on the APCHK# output.	3-state I/O	Page 3-9
APCHK#	Address Parity Check Status is asserted during a cache inquiry cycle if an address bus parity error has been detected. APCHK# is valid two clocks after EADS# is sampled active. APCHK# will remain asserted for one clock cycle if a parity error is detected.	Output	Page 3-9
BE7#-BE0#	The Byte Enables , in conjunction with the address lines, determine the active data bytes transferred during a memory or I/O bus cycle.	3-state I/O	Page 3-8
BHOLD	Byte Enable Hold forces the byte enables (BE7#-BE0#) to float during the next clock cycle. The ST6x86 CPU continues to generate additional bus cycles while BHOLD is asserted. While BHOLD is asserted, the byte enables are driven by an external source and select which data bytes are accessed through the scatter/gather buffer. BHOLD is ignored if the scatter/gather interface is disabled.	Input	Page 3-19
BOFF#	Back-Off forces the ST6x86 CPU to abort the current bus cycle and relinquish control of the CPU local bus during the next clock cycle. The ST6x86 CPU enters the bus hold state and remains in this state until BOFF# is negated.	Input	Page 3-15
BRDY#	Burst Ready indicates that the current transfer within a burst cycle, or the current single transfer cycle, can be terminated. The ST6x86 CPU samples BRDY# in the second and subsequent clocks of a bus cycle. BRDY# is active during address hold states.	Input	Page 3-12
BRDYC#	Cache Burst Ready performs the same function as BRDY# and is logically ORed with BRDY# within the ST6x86 CPU.	Input	Page 3-12
BREQ	Bus Request is asserted by the ST6x86 CPU when an internal bus cycle is pending. The ST6x86 CPU always asserts BREQ, along with ADS#, during the first clock of a bus cycle. If a bus cycle is pending, BREQ is asserted during the bus hold and address hold states. If no additional bus cycles are pending, BREQ is negated prior to termination of the current cycle.	Output	Page 3-15

Table 3.1. ST6x86 CPU Signals Sorted by Signal Name (Continued)

Signal Name	Description	I/O	Reference
CACHE#	Cacheability Status indicates that a read bus cycle is a potentially cacheable cycle; or that a write bus cycle is a cache line write-back or line replacement burst cycle. If CACHE# is asserted for a read cycle and KEN# is asserted by the system, the read cycle becomes a cache line fill burst cycle.	Output	Page 3-10
CLK	Clock provides the fundamental timing for the ST6x86 CPU. The frequency of the ST6x86 CPU input clock determines the operating frequency of the CPU's bus. External timing is defined referenced to the rising edge of CLK.	Input	Page 3-6
CLKMUL	The Clock Multiplier input is sampled during RESET to determine the ST6x86 CPU core operating frequency. If CLKMUL=0 or is left unconnected, the core frequency is 2x the frequency of the CLK input. If CLKMUL=1, the core frequency is 3x the frequency of CLK.	Input	Page 3-6
D63-D0	Data Bus signals are three-state, bi-directional signals which provide the data path between the ST6x86 CPU and external memory and I/O devices. The data bus is only driven while a write cycle is active (state=T2). The data bus is floated when DHOLD is asserted.	3-state I/O	Page 3-9
D/C#	Data/Control Status . If high, indicates that the current bus cycle is an I/O or memory data access cycle. If low, indicates a code fetch or special bus cycle such as a halt, prefetch, or interrupt acknowledge bus cycle. D/C# is driven valid in the same clock as ADS# is asserted.	Output	Page 3-10
DHOLD	Data Bus Hold forces the ST6x86 CPU to float the data bus (D63-D0) and the data parity lines (DP7-DP0) in the next clock. While DHOLD is asserted, only the data and data parity buses are disabled. The current bus cycle remains active and is completed in the normal fashion in response to BRDY#. The ST6x86 CPU generates additional bus cycles while DHOLD is asserted. DHOLD is ignored if the scatter/gather interface is disabled.	Input	Page 3-20
DP7-DP0	Data Parity signals provide parity for the data bus, one data parity bit per data byte. Even parity is driven on DP7-DP0 for all data write cycles. DP7-DP0 are read by the ST6x86 CPU during read cycles to check for even parity. The data parity bus is only driven while a write cycle is active (state=T2).	3-state I/O	Page 3-9
EADS#	External Address Strobe indicates that a valid cache inquiry address is being driven on the ST6x86 CPU address bus (A31-A5) and AP. The state of INV at the time EADS# is sampled active determines the final state of the cache line. A cache inquiry cycle using EADS# may be run while the ST6x86 CPU is in the address hold or bus hold state.	Input	Page 3-17
EWBE#	External Write Buffer Empty indicates that there are no pending write cycles in the external system. EWBE# is sampled only during I/O and memory write cycles. If EWBE# is negated, the ST6x86 CPU delays all subsequent writes to on-chip cache lines in the "exclusive" or "modified" state until EWBE# is asserted.	Input	Page 3-13
FERR#	FPU Error Status indicates an unmasked floating point error has occurred. FERR# is asserted during execution of the FPU instruction that caused the error. FERR# does not float during bus hold states.	Output	Page 3-18
FLUSH#	Cache Flush forces the ST6x86 CPU to flush the cache. External interrupts and additional FLUSH# assertions are ignored during the flush. Cache inquiry cycles are permitted during the flush.	Input	Page 3-13
HIT#	Cache Hit indicates that the current cache inquiry address has been found in the cache (modified, exclusive or shared states). HIT# is valid two clocks after EADS# is sampled active, and remains valid until the next cache inquiry cycle.	Output	Page 3-17
HITM#	Cache Hit Modified Data indicates that the current cache inquiry address has been found in the cache and dirty data exists in the cache line (modified state). The ST6x86 CPU does not accept additional cache inquiry cycles while HITM# is asserted. HITM# is valid two clocks after EADS#.	Output	Page 3-17

Table 3.1. ST6x86 CPU Signals Sorted by Signal Name (Continued)

Signal Name	Description	I/O	Reference
HLDA	Hold Acknowledge indicates that the ST6x86 CPU has responded to the HOLD input and relinquished control of the local bus. The ST6x86 CPU continues to operate during bus hold as long as the on-chip cache can satisfy bus requests.	Output	Page 3-15
HOLD	Hold Request indicates that another bus master has requested control of the CPU's local bus.	Input	Page 3-15
IGNNE#	Ignore Numeric Error forces the ST6x86 CPU to ignore any pending unmasked FPU errors and allows continued execution of floating point instructions.	Input	Page 3-18
INTR	Maskable Interrupt forces the processor to suspend execution of the current instruction stream and begin execution of an interrupt service routine. The INTR input can be masked (ignored) through the IF bit in the Flags Register.	Input	Page 3-12
INV	Invalidate Request is sampled with EADS# to determine the final state of the cache line in the case of a cache inquiry hit. An asserted INV directs the processor to change the state of the cache line to "invalid". A negated INV directs the processor to change the state of the cache line to "shared."	Input	Page 3-17
KEN#	Cache Enable allows the data being returned during the current cycle to be placed in the CPU's cache. When the ST6x86 CPU is performing a cacheable code fetch or memory data read cycle (CACHE# asserted), and KEN# is sampled asserted, the cycle is transformed into a 32-byte cache line fill. KEN# is sampled with the first asserted BRDY# or NA# for the cycle.	Input	Page 3-14
LBA#	Local Bus Access indicates that the current bus cycle is for an address within the local bus address region. If LBA# is asserted during a CPU write cycle with BE3#-BE0# negated, the ST6x86 CPU automatically maps the upper DWORD of data to the lower DWORD of the data bus. LBA# floats if scatter/gather pins are disabled.	Output	Page 3-20
LOCK#	Lock Status indicates that other system bus masters are denied access to the local bus. The ST6x86 CPU does not enter the bus hold state in response to HOLD while LOCK# is asserted.	Output	Page 3-10
M/IO#	Memory/IO Status. If high, indicates that the current bus cycle is a memory cycle (read or write). If low, indicates that the current bus cycle is an I/O cycle (read or write, interrupt acknowledge, or special cycle).	Output	Page 3-10
NA#	Next Address requests the next pending bus cycle address and cycle definition information. If either the current or next bus cycle is a locked cycle, a line replacement, a write-back cycle, or if there is no pending bus cycle, the ST6x86 CPU does not start a pipelined bus cycle regardless of the state of NA#.	Input	Page 3-12
NMI	Non-Maskable Interrupt Request forces the processor to suspend execution of the current instruction stream and begin execution of an NMI interrupt service routine.	Input	Page 3-13
PCD	Page Cache Disable reflects the state of the PCD page attribute bit in the page table entry or the directory table entry. If paging is disabled, or for cycles that are not paged, the PCD pin is driven low. PCD is masked by the cache disable (CD) bit in CR0, and floats during bus hold states.	Output	Page 3-14
PCHK#	Data Parity Check indicates that a data bus parity error has occurred during a read operation. PCHK# is only valid during the second clock immediately after read data is returned to the ST6x86 CPU (BRDY# asserted) and is inactive otherwise. Parity errors signaled by a logic low on PCHK# have no effect on processor execution.	Output	Page 3-9
PWT	Page Write Through reflects the state of the PWT page attribute bit in the page table entry or the directory table entry. PWT pin is negated during cycles that are not paged, or if paging is disabled. PWT takes priority over WB/WT#.	Output	Page 3-14

Table 3.1. ST6x86 CPU Signals Sorted by Signal Name (Continued)

Signal Name	Description	I/O	Reference
QDUMP#	Q Buffer Dump is used to dump the contents of the scatter/gather buffer onto the data bus. The data bytes specified by the byte enables (BE7#-BE0#) are driven onto the data bus during the clock after QDUMP# is sampled asserted. QDUMP# is ignored if the scatter/gather pins are disabled.	Input	Page 3-20
RESET	Reset suspends all operations in progress and places the ST6x86 CPU into a reset state. Reset forces the CPU to begin executing in a known state. All data in the on-chip caches is invalidated.	Input	Page 3-6
SCYC	Split Locked Cycle indicates that the current bus cycle is part of a misaligned locked transfer. SCYC is defined for locked cycles only. A misaligned transfer is defined as any transfer that crosses an 8-byte boundary.	Output	Page 3-10
SMI#	SMM Interrupt forces the processor to save the CPU state to the top of SMM memory and to begin execution of the SMI service routine at the beginning of the defined SMM memory space. An SMI is a higher-priority interrupt than an NMI.	Input	Page 3-13
SMIACT#	SMM Interrupt Active indicates that the processor is operating in System Management Mode. SMIACT# does not float during bus hold states.	Output	Page 3-12
SUSP#	Suspend Request requests that the CPU enter suspend mode. SUSP# is ignored following RESET and is enabled by setting the SUSP bit in CCR2.	Input	Page 3-21
SUSPA#	Suspend Acknowledge indicates that the ST6x86 CPU has entered low-power suspend mode. SUSPA# floats following RESET and is enabled by setting the SUSP bit in CCR2.	Output	Page 3-21
TCK	Test Clock (JTAG) is the clock input used by the ST6x86 CPU's boundary scan (JTAG) test logic.	Input	Page 3-23
TDI	Test Data In (JTAG) is the serial data input used by the ST6x86 CPU's boundary scan (JTAG) test logic.	Input	Page 3-23
TDO	Test Data Out (JTAG) is the serial data output used by the ST6x86 CPU's boundary scan (JTAG) test logic.	Output	Page 3-23
TMS	Test Mode Select (JTAG) is the control input used by the ST6x86 CPU's boundary scan (JTAG) test logic.	Input	Page 3-23
TRST#	Test Mode Reset (JTAG) initializes the ST6x86 CPU's boundary scan (JTAG) test logic.	Input	Page 3-23
WB/WT#	Write-Back/Write-Through is sampled during cache line fills to define the cache line write policy. If high, the cache line write policy is write-back. If low, the cache line write policy is write-through. (PWT forces write-through policy when PWT=1.)	Input	Page 3-14
WM_RST	Warm Reset forces the ST6x86 CPU to complete the current instruction and then places the ST6x86 CPU in a known state. Once WM_RST is sampled active by the CPU, the reset sequence begins on the next instruction boundary. WM_RST does not change the state of the configuration registers, the on-chip cache, the write buffers and the FPU registers. WM_RST is sampled during reset.	Input	Page 3-8
W/R#	Write/Read Status. If high, indicates that the current memory, or I/O bus cycle is a write cycle. If low, indicates that the current bus cycle is a read cycle.	Output	Page 3-10

3.2 Signal Descriptions

The following paragraphs provide additional information about the ST6x86 CPU signals. For ease of this discussion, the signals are divided into 16 functional groups as illustrated in Figure 3.1.

3.2.1 Clock Control

The **Clock Input (CLK)** signal, supplied by the system, is the timing reference used by the ST6x86 CPU bus interface. All external timing parameters are defined with respect to the CLK rising edge. The CLK signal enters the ST6x86 CPU where it is doubled or tripled to produce the ST6x86 CPU internal clock signal. During power on, the CLK signal must be running even if CLK does not meet AC specifications.

The **Clock Multiplier (CLKMUL)** input is sampled during RESET to determine the CPU's core operating frequency. If CLKMUL=0, the core frequency is 2x the frequency of the CLK input. If CLKMUL=1, the core frequency is 3x the frequency of the CLK input. The CLKMUL input is connected to an internal pull-down resistor. Therefore, if CLKMUL is left unconnected, the core frequency defaults to 2x the input CLK. CLKMUL should be connected to Vss, to Vcc through a pull-up, or left unconnected. CLKMUL should not be connected to a switching signal.

3.2.2 Reset Control

The ST6x86 CPU output signals are initialized to their reset states during the CPU reset sequence, as shown in Table 3.3. The signal states given in Table 3.3 assume that HOLD, AHOLD, and BOFF# are negated.

Asserting **RESET** suspends all operations in progress and places the ST6x86 CPU in a reset state. RESET is an asynchronous signal but must meet specified setup and hold times to guarantee recognition at a particular clock edge.

On system power-up, RESET must be held asserted for at least 1 msec after Vcc and CLK have reached specified DC and AC limits. This delay allows the CPU's clock circuit to stabilize and guarantees proper completion of the reset sequence.

During normal operation, RESET must be asserted for at least 15 CLK periods in order to guarantee the proper reset sequence is executed. When RESET negates (on its falling edge), the pins listed in Table 3.2 determine if certain ST6x86 CPU functions are enabled.

Table 3.2. Pins Sampled During RESET

SIGNAL NAME	DESCRIPTION
FLUSH#	If = 0, three-state test mode enabled.
QDUMP#	If = 0, scatter/gather interface enabled.
WM_RST	If = 1, built-in self test initiated.

Table 3.3. Signal States During RESET

SIGNAL LINE	STATE	SIGNAL LINE	STATE
A20M#	Ignored	INTR	Ignored
A31-A3	Undefined until first ADS#	INV	Ignored
ADS#	1	KEN#	Ignored
ADSC#	1	LBA#	1
AHOLD	Recognized	LOCK#	1
AP	Undefined until first ADS#	M/IO#	Undefined until first ADS#
APCHK#	1	NA#	Ignored
BE7#-BE0#	Undefined until first ADS#	NMI	Ignored
BHOLD	Ignored	PCD	Undefined until first ADS#
BOFF#	Recognized	PCHK#	1
BRDY#	Ignored	PWT	Undefined until first ADS#
BRDYC#	Ignored	QDUMP#	Enables scatter/gather interface pins
BREQ	0	RESET	1
CACHE#	Undefined until first ADS#	SCYC	Undefined until first ADS#
D(63-0)	Float	SMI#	Ignored
D/C#	Undefined until first ADS#	SMIACT#	1
DHOLD	Ignored	SUSP#	Ignored
DP(7-0)	Float	SUSPA#	Float
EADS#	Ignored	TCK	Recognized
EWBE#	Ignored	TDI	Recognized
FERR#	1	TDO	Responds to TCK, TDI, TMS, TRST#
FLUSH#	Initiates three-state test mode	TMS	Recognized
HIT#	1	TRST#	Recognized
HITM#	1	W/R#	Undefined until first ADS#
HLDA	Responds to HOLD	WB/WT#	Ignored
HOLD	Recognized	WM_RST	Initiates self-test
IGNNE#	Ignored		

Warm Reset (WM_RST) allows the ST6x86 CPU to complete the current instruction and then places the ST6x86 CPU in a known state. WM_RST is an asynchronous signal, but must meet specified setup and hold times in order to guarantee recognition at a particular CLK edge. Once WM_RST is sampled active by the CPU, the reset sequence begins on the next instruction boundary.

WM_RST differs from RESET in that the contents of the on-chip cache, the write buffers, the configuration registers and the floating point registers contents remain unchanged.

Following completion of the internal reset sequence, normal processor execution begins even if WM_RST remains asserted. If RESET and WM_RST are asserted simultaneously, WM_RST is ignored and RESET takes priority. If WM_RST is asserted at the falling edge of RESET, built-in self test (BIST) is initiated.

3.2.3 Address Bus

The **Address Bus (A31-A3)** lines provide the physical memory and external I/O device addresses. A31-A5 are bi-directional signals used by the ST6x86 CPU to drive addresses to both memory devices and I/O devices. During cache inquiry cycles the ST6x86 CPU receives addresses from the system using signals A31-A5.

Using signals A31-A3, the ST6x86 CPU can address a 4-GByte memory address space. Using signals A15-A3, the ST6x86 CPU can address a 64-KByte I/O space through the processor's I/O ports. During I/O accesses, signals A31-A16 are driven low. A31-A3 float during bus hold and address hold states.

The **Byte Enable (BE7#-BE0#)** lines are bi-directional signals that define the valid data bytes within the 64-bit data bus. The correlation between the enable signals and data bytes is shown in Table 3.4.

Table 3.4. Byte Enable Signal to Data Bus Byte Correlation

BYTE ENABLE	CORRESPONDING DATA BYTE
BE7#	D63-D56
BE6#	D55-D48
BE5#	D47-D40
BE4#	D39-D32
BE3#	D31-D24
BE2#	D23-D16
BE1#	D15-D8
BE0#	D7-D0

During a cache line fill, (burst read or "1+4" burst read) the ST6x86 CPU expects data to be returned as if all data bytes are enabled, regardless of the state of the byte enables. BE7#-BE0# float during bus hold and byte enable hold states.

Address Bit 20 Mask (A20M#) is an active low input which causes the ST6x86 CPU to mask (force low) physical address bit 20 when driving the external address bus or when performing an internal cache access. Asserting A20M# emulates the 1 MByte address wrap-around that occurs on the 8086. The A20 signal is never masked during write-back cycles, inquiry cycles, system management address space accesses or when paging is enabled, regardless of the state of the A20M# input.

3.2.4 Address Parity

Address Parity (AP) is a bi-directional signal which provides the parity associated with address lines A31-A5. (A4 and A3 are not included in the parity determination.) During ST6x86 CPU generated bus cycles, while the address bus lines are driven, AP becomes an output supplying even address parity. During cache inquiry cycles, AP becomes an input and is sampled by EADS#. During cache inquiry cycles, even-parity must be placed on the AP line to guarantee an accurate result on the APCHK# (Address Parity Check Status) pin.

Address Parity Check Status (APCHK#) is driven active by the CPU when an address bus parity error has been detected for a cache inquiry cycle. APCHK# is asserted two clocks after EADS# is sampled asserted, and remains valid for one clock only. Address parity errors signaled by APCHK# have no effect on processor execution.

3.2.5 Data Bus

Data Bus (D63-D0) lines carry three-state, bi-directional signals between the ST6x86 CPU and the system (i.e., external memory and I/O devices). The data bus transfers data to the ST6x86 CPU during memory read, I/O read, and interrupt acknowledge cycles. Data is transferred from the ST6x86 CPU during memory and I/O write cycles.

Data setup and hold times must be met for correct read cycle operation. The data bus is driven only while a write cycle is active.

3.2.6 Data Parity

The Data Parity Bus (DP7-DP0) provides and receives parity data for each of the eight data bus bytes (Table 3.5). The ST6x86 CPU generates even parity on the bus during write cycles and accepts even parity from the system during read cycles. DP7-DP0 is driven only while a write cycle is active.

Table 3.5. Parity Bit to Data Byte Correlation

PARITY BIT	DATA BYTE
DP7	D63-D56
DP6	D55-D48
DP5	D47-D40
DP4	D39-D32
DP3	D31-D24
DP2	D23-D16
DP1	D15-D8
DP0	D7-D0

Parity Check (PCHK#) is asserted when a data bus parity error is detected. Parity is checked during code, memory and I/O reads, and the second interrupt acknowledge cycle. Parity is not checked during the first interrupt acknowledge cycle.

Parity is checked for only the active data bytes as determined by the active byte enable signals except during a cache line fill (burst read or "1+4" burst read). During a cache line fill, the ST6x86 CPU assumes all data bytes are valid and parity is checked for all data bytes regardless of the state of the byte enables.

PCHK# is valid only during the second clock immediately after read data is returned to the ST6x86 CPU (BRDY# asserted). At other times PCHK# is not active. Parity errors signaled by the assertion of PCHK# have no effect on processor execution.

3.2.7 Bus Cycle Definition

Each bus cycle is assigned a bus cycle type. The bus cycle types are defined by six three-state outputs: CACHE#, D/C#, LOCK#, M/I/O#, SCYC, and W/R# as listed in Table 3.6.

These bus cycle definition signals are driven valid while ADS# is active. D/C#, M/I/O#, W/R#, SCYC and CACHE# remain valid until the clock following the earliest of two signals: NA# asserted, or the last BRDY# for the cycle.

LOCK# continues asserted until after BRDY# is returned for the last locked bus cycle. The bus cycle definition signals float during bus hold states.

Cache Cycle Indicator (CACHE#) is an output that indicates that the current bus cycle is a potentially cacheable cycle (for a read), or indicates that the current bus cycle is a cache line write-back or line replacement burst cycle (for a write). If CACHE# is asserted for a read cycle and the KEN# input is returned active by the system, the read cycle becomes a cache line fill burst cycle.

Data/Control (D/C#) distinguishes between data and control operations. When high, this signal indicates that the current bus cycle is a data transfer to or from memory or I/O. When low, D/C# indicates that the current bus cycle involves a control function such as a halt, interrupt acknowledge or code fetch.

Bus Lock (LOCK#) is an active low output which, when asserted, indicates that other system bus masters are denied access to control of the CPU bus. The LOCK# signal may be explicitly activated during bus operations by including the LOCK prefix on certain instructions. LOCK# is also asserted during descriptor updates, page table accesses, interrupt acknowledge sequences and when executing the XCHG instruction. However, if the NO_LOCK bit in CCR1 is set, LOCK# is asserted only during page table accesses and interrupt acknowledge sequences. The ST6x86 CPU does not enter the bus hold state in response to HOLD while the LOCK# output is active.

Memory/I/O (M/I/O#) distinguishes between memory and I/O operations. When high, this signal indicates that the current bus cycle is a memory read or memory write. When low, M/I/O# indicates that the current bus cycle is an I/O read, I/O write, interrupt acknowledge cycle or special bus cycle.

Split Cycle (SCYC) is an active high output that indicates that the current bus cycle is part of a misaligned locked transfer. SCYC is defined for locked cycles only. A misaligned transfer is defined as any transfer that crosses an 8-byte boundary.

Write/Read (W/R#) distinguishes between write and read operations. When high, this signal indicates that the current bus cycle is a memory write, I/O write or a special bus cycle. When low, this signal indicates that the current cycle is a memory read, I/O read or interrupt acknowledge cycle.

Table 3.6. Bus Cycle Types

BUS CYCLE TYPE	M/IO#	D/C#	W/R#	CACHE#	LOCK#
Interrupt Acknowledge	0	0	0	1	0
Does not occur.	0	0	0	X	1
Does not occur.	0	0	1	X	0
Special Cycles:					
If BE(7-0)# = FEh: Shutdown					
If BE(7-0)# = FDh: Flush (INVD, WBINVD)					
If A4 = 0 and BE(7-0)# = FBh: Halt (HLT)	0	0	1	1	1
If BE(7-0)# = F7h: Write-Back (WBINVD)					
If BE(7-0)# = EFh: Flush Acknowledge (FLUSH#)					
If A4 = 1 and BE(7-0)# = FBh: Stop Grant (SUSP#)					
Does not occur.	0	1	X	X	0
I/O Data Read	0	1	0	1	1
I/O Data Write	0	1	1	1	1
Does not occur.	1	0	X	X	0
Cacheable Memory Code Read (Burst Cycle if KEN# Returned Active)	1	0	0	0	1
Non-cacheable Memory Code Read	1	0	0	1	1
Does not occur.	1	0	1	X	1
Locked Memory Data Read	1	1	0	1	0
Cacheable Memory Data Read (Burst Cycle if KEN# Returned Active)	1	1	0	0	1
Non-cacheable Memory Data Read	1	1	0	1	1
Locked Memory Write	1	1	1	1	0
Burst Memory Write (Writeback or Line Replacement)	1	1	1	0	1*
Single Transfer Memory Write	1	1	1	1	1

Note: X = Don't Care

*Note: LOCK# continues to be asserted during a write-back cycle that occurs following an aborted (BOFF# asserted) locked bus cycle.

3.2.8 Bus Cycle Control

The bus cycle control signals (ADS#, ADSC#, BRDY#, BRDYC#, NA#, and SMIACT#) indicate the beginning of a bus cycle and allow system hardware to control bus cycle termination timing and address pipelining.

Address Strobe (ADS#) is an active low output which indicates that the CPU has driven a valid address and bus cycle definition on the appropriate output pins. ADS# floats during bus hold states.

Cache Address Strobe (ADSC#) performs the same function as ADS#. ADSC# is used to interface directly to a secondary cache controller.

Burst Ready (BRDY#) is an active low input that is driven by the system to indicate that the current transfer within a burst cycle or the current single transfer bus cycle can be terminated. The CPU samples BRDY# in the second and subsequent clocks of a cycle. BRDY# is active during address hold states.

Cache Burst Ready (BRDYC#) performs the same function as BRDY# and is logically ORed with BRDY internally by the CPU. BRDYC# is used to interface directly to a secondary cache controller.

Next Address (NA#) is an active low input that is driven by the system to request the next pending bus cycle address and cycle definition information even though all data transfers for the current bus cycle are not complete. This new bus cycle is referred to as a "pipelined" cycle. If either the current or next bus cycle is a locked cycle, a line replacement, a write-back cycle or there is no pending bus cycle, the ST6x86 CPU does not start a pipelined bus cycle regardless of the state of the NA# input.

System Management Mode Active (SMIACT#)

is an active low output which indicates that the CPU is operating in System Management Mode. SMIACT# is asserted in response to the assertion of SMI# or due to execution of the SMINT instruction. SMIACT# is also asserted during accesses to defined SMM memory if the SMAC bit in CCR1 is set. This bit allows access to SMM memory while not in SMM mode and is typically used for initialization purposes.

While servicing an SMI# interrupt or SMINT instruction, SMIACT# remains asserted until a RSM instruction is executed. The RSM instruction causes the ST6x86 CPU to exit SMM mode and negate the SMIACT# output. If a cache inquiry cycle occurs while SMIACT# is active, any resulting write-back cycle is issued with SMIACT# asserted. This occurs even though the write-back cycle is intended for normal memory rather than SMM memory.

During RESET, the USE_SMI bit in CCR1 is cleared. While USE_SMI is zero, SMIACT# is always negated. SMIACT# does not float during bus hold states.

3.2.9 Interrupt Control

The interrupt control signals (INTR, NMI, SMI#) allow the execution of the current instruction stream to be interrupted and suspended.

Maskable Interrupt Request (INTR) is an active high level-sensitive input which causes the processor to suspend execution of the current instruction stream and begin execution of an interrupt service routine. The INTR input can be masked (ignored) through the IF bit in the Flags Register.

When not masked, the ST6x86 CPU responds to the INTR input by performing two locked interrupt acknowledge bus cycles. During the second interrupt acknowledge cycle, the ST6x86 CPU reads an 8-bit value, the interrupt vector, from the data bus. The 8-bit interrupt vector indicates the interrupt level that caused generation of the INTR and is used by the CPU to determine the beginning address of the interrupt service routine. To assure recognition of the INTR request, INTR must remain active until the start of the first interrupt acknowledge cycle.

Non-Maskable Interrupt Request (NMI) is a rising-edge sensitive input which causes the processor to suspend execution of the current instruction stream and begin execution of an NMI interrupt service routine. The NMI interrupt cannot be masked by the IF bit in the Flags Register. Asserting NMI causes an interrupt which internally supplies interrupt vector 2h to the CPU core. Therefore, external interrupt acknowledge cycles are not issued.

Once NMI processing has started, no additional NMIs are processed until an IRET instruction is executed, typically at the end of the NMI service routine. If NMI is re-asserted prior to execution of the IRET, one and only one NMI rising edge is stored and then processed after execution of the next IRET.

System Management Interrupt Request (SMI#) is an interrupt input with higher priority than the NMI input. SMI# is a falling edge sensitive input and is sampled on every rising edge of the processor input clock. Asserting SMI# forces the processor to save the CPU state to the top of SMM memory and to begin execution of the SMI service routine at the beginning of the defined SMM memory space. After the processor internally acknowledges the SMI# interrupt, the SMIACK# output is driven low for the duration of the interrupt service routine.

Once SMI# servicing has started, no additional SMI# interrupts are processed until a RSM instruction is executed. If SMI# is re-asserted prior to execution of a RSM instruction, one and only one SMI# falling edge is stored and then processed after execution of the next RSM. SMI# is ignored following reset and recognition is enabled by setting the USE_SMI bit in CCR1.

3.2.10 Cache Control

The cache control signals (EWBE#, FLUSH#, KEN#, PCD, PWT, WB/WT#) are used to indicate cache status and control caching activity.

External Write Buffer Empty (EWBE#) is an active low input driven by the system to indicate when there are no pending write cycles in the external system. The ST6x86 CPU samples EWBE# during write cycles (I/O and memory) only. If EWBE# is not asserted, the processor delays all subsequent writes to on-chip cache lines in the "exclusive" or "modified" state until EWBE# is asserted. Regardless of the state of EWBE#, all writes to the on-chip cache are delayed until any previously issued external write cycle is complete. This ensures that external write cycles occur in program order and is referred to as "strong write ordering". To enhance performance, "weak write ordering" may be allowed for specific address regions using the Address Region Registers (ARRs) and Region Control Registers (RCRs).

Cache Flush (FLUSH#) is a falling-edge sensitive input that forces the processor to write-back all dirty data in the cache and then invalidate the entire cache contents. FLUSH# need only be asserted for a single clock but must meet specified setup and hold times to guarantee recognition at a particular clock edge.

Once FLUSH# is sampled active, the ST6x86 CPU begins the cache flush sequence after completion of the current instruction. External interrupts and additional FLUSH# requests are ignored while the cache flush is in progress. However, cache inquiry cycles are permitted during the flush sequence. The ST6x86 CPU issues a flush acknowledge special cycle to indicate completion of the flush sequence. If the processor is in a halt or shutdown state, FLUSH# is recognized and the ST6x86 CPU returns to the halt or shutdown state following completion of the flush sequence. If FLUSH# is active at the falling edge of RESET, the processor enters three state test mode.

Cache Enable (KEN#) is an active low input which indicates that the data being returned during the current cycle is cacheable. When the ST6x86 CPU is performing a cacheable code fetch or memory data read cycle and KEN# is sampled asserted, the cycle is transformed into a cache line fill (4 transfer burst cycle) or a "1+4" cache line fill. KEN# is sampled with the first asserted BRDY# or NA# for the cycle. I/O accesses, locked reads, system management memory accesses and interrupt acknowledge cycles are never cached.

Page Cache Disable (PCD) is an active high output that reflects the state of the PCD page attribute bit in the page table entry or the directory table entry. If paging is disabled or for cycles that are not paged, the PCD pin is driven low. PCD is masked by the cache disable (CD) bit in CR0 (driven high if CD=1) and floats during bus hold states.

Page Write Through (PWT) is an active high output that reflects the state of the PWT page attribute bit in the page table entry or the directory table entry. If paging is disabled or for cycles that are not paged, the PWT pin is driven low. If PWT is asserted, PWT takes priority over the WB/WT# input. If PWT is asserted for either reads or writes, the cache line is saved in, or remains in, the shared (write-through) state. PWT floats during bus hold states.

The Write-Back/Write-Through (WB/WT#) input allows the system to define the write policy of the on-chip cache on a line-by-line basis. If WB/WT# is sampled high during a line fill cycle and PWT is low, the line is defined as write-back and is stored in the exclusive state. If WB/WT# is sampled high during a write to a write-through cache line (shared state) and PWT is low, the line is transitioned to write-back (exclusive state). If WB/WT# is sampled low or PWT is high, the line is defined as write-through and is stored in (line fill), or remains in (write), the shared state. Table 3.7 lists the effects of WB/WT# on the state of the cache line for various bus cycles.

Table 3.7. Effects of WB/WT# on Cache Line State

BUS CYCLE TYPE	PWT	WB/WT#	WRITE POLICY	MESI STATE
Line Fill	0	0	Write-through	Shared
Line Fill	0	1	Write-back	Exclusive
Line Fill	1	x	Write-through	Shared
Memory Write (Note)	0	0	Write-through	Shared
Memory Write (Note)	0	1	Write-back	Exclusive
Memory Write (Note)	1	x	Write-through	Shared

Note: Only applies to memory writes to addresses that are currently valid in the cache.

3.2.11 Bus Arbitration

The bus arbitration signals (BOFF#, BREQ, HOLD, and HLDA) allow the ST6x86 CPU to relinquish control of its local bus when requested by another bus master device. Once the processor has released its bus, the bus master device can then drive the local bus signals.

Back-Off (BOFF#) is an active low input that forces the ST6x86 CPU to abort the current bus cycle and relinquish control of the CPU's local bus in the next clock. The ST6x86 CPU responds to BOFF# by entering the bus hold state as listed in Table 3.8. The ST6x86 CPU remains in bus hold until BOFF# is negated. Once BOFF# is negated, the ST6x86 CPU restarts any aborted bus cycle in its entirety. Any data returned to the ST6x86 CPU while BOFF# is asserted is ignored. If BOFF# is asserted in the same clock that ADS# is asserted, the ST6x86 CPU may float ADS# while in the active low state.

Bus Request (BREQ) is an active high output asserted by the ST6x86 CPU whenever a bus cycle is pending internally. The ST6x86 CPU always asserts BREQ in the first clock of a bus cycle with ADS# as well as during bus hold and address hold states if a bus cycle is pending. If no additional bus cycles are pending, BREQ is negated prior to termination of the current cycle.

Bus Hold Request (HOLD) is an active high input used to indicate that another bus master requests control of the CPU's local bus. After recognizing the HOLD request and completing the current bus cycle or sequence of locked bus cycles, the ST6x86 CPU responds by floating the local bus and asserting the hold acknowledge (HLDA) output. The bus remains granted to the requesting bus master until HOLD is negated. Once HOLD is sampled negated, the ST6x86 CPU simultaneously drives the local bus and negates HLDA.

Hold Acknowledge (HLDA) is an active high output used to indicate that the ST6x86 CPU has responded to the HOLD input and has relinquished control of its local bus. Table 3.8 lists the state of all the ST6x86 CPU signals during a bus hold state. The ST6x86 CPU continues to operate during bus hold states as long as the on-chip cache can satisfy bus requests. HLDA is asserted until HOLD is negated. Once HOLD is sampled negated, the ST6x86 CPU simultaneously drives the local bus and negates HLDA.

Table 3.8. Signal States During Bus Hold

SIGNAL LINE	STATE	SIGNAL LINE	STATE
A20M#	Recognized internally	INTR	Recognized internally
A31-A3	Float	INV	Recognized
ADS#	Float	KEN#	Ignored
ADSC#	Float	LBA#	Float
AHOLD	Ignored	LOCK#	Float
AP	Float	M/IO#	Float
APCHK#	Driven	NA#	Ignored
BE7#-BE0#	Float	NMI	Recognized internally
BHOLD	Ignored	PCD	Float
BOFF#	Recognized	PCHK#	Driven
BRDY#	Ignored	PWT	Float
BRDYC#	Ignored	QDUMP#	Recognized
BREQ	Driven	RESET	Recognized
CACHE#	Float	SCYC	Float
D/C#	Float	SMI#	Recognized
D63-D0	Float	SMIACT#	Driven
DHOLD	Ignored	SUSP#	Recognized
DP7-DP0	Float	SUSPA#	Driven
EADS#	Recognized	TCK	Recognized
EWBE#	Recognized internally	TDI	Recognized
FERR#	Driven	TDO	Responds to TCK, TDI, TMS, TRST#
FLUSH#	Recognized	TMS	Recognized
HIT#	Driven	TRST#	Recognized
HITM#	Driven	W/R#	Float
HLDA	Responds to HOLD	WB/WT#	Ignored
HOLD	Recognized	WM_RST	Recognized
IGNNE#	Recognized internally		

3.2.12 Cache Coherency

The cache coherency signals (AHOLD, EADS#, HIT#, HITM#, and INV) are used to initiate and monitor cache inquiry cycles. These signals are intended to be used to ensure cache coherency in a uni-processor environment only. Contact Cyrix for additional specifications on maintaining coherency in a multi-processor environment.

Address Hold Request (AHOLD) is an active high input which forces the ST6x86 CPU to float A31-A3 and AP in the next clock cycle. While AHOLD is asserted, only the address bus is disabled. The current bus cycle remains active and can be completed in the normal fashion. The ST6x86 CPU does not generate additional bus cycles while AHOLD is asserted except write-back cycles in response to a cache inquiry cycle.

External Address Strobe (EADS#) is an active low input used to indicate to the ST6x86 CPU that a valid cache inquiry address is being driven on the ST6x86 CPU address bus (A31-A5) and AP. The ST6x86 CPU checks the on-chip cache for this address. If the address is present in the cache the HIT# signal is asserted. If the data associated with the inquiry address is "dirty" (modified state), the HITM# signal is also asserted. If dirty data exists, a write-back cycle is issued to update external memory with the dirty data. Additional cache inquiry cycles are ignored while HITM# is asserted.

The state of the INV pin at the time EADS# is sampled active determines the final state of the cache line. If INV is sampled high, the final state of the cache line is "invalid". If INV is sampled low, the final state of the cache line is "shared." A cache inquiry cycle using EADS# may be run while the ST6x86 CPU is in either an address hold or bus hold state. The inquiry address must be driven by an external device.

Hit on Cache Line (HIT#) is an active low output used to indicate that the current cache inquiry address has been found in the cache (modified, exclusive or shared states). HIT# is valid two clocks after EADS# is sampled active, and remains valid until the next cache inquiry cycle.

Hit on Modified Data (HITM#) is an active low output used to indicate that the current cache inquiry address has been found in the cache and dirty data exists in the cache line (modified state). If HITM# is asserted, a write-back cycle is issued to update external memory. HITM# is valid two clocks after EADS# is sampled active, and remains asserted until two clocks after the last BRDY# of the write-back cycle is sampled active. The ST6x86 CPU does not accept additional cache inquiry cycles while HITM# is asserted.

Invalidate Request (INV) is an active high input used to determine the final state of the cache line in the case of a cache inquiry hit. INV is sampled with EADS#. A logic one on INV directs the processor to change the state of the cache line to "invalid". A logic zero on INV directs the processor to change the state of the cache line to "shared."

3.2.13 FPU Error Interface

The FPU interface signals FERR# and IGNNE# are used to control error reporting for the on-chip floating point unit. These signals are typically used for a PC-compatible system implementation. For other applications, FPU errors are reported to the ST6x86 CPU core through an internal interface.

Floating Point Error Status (FERR#) is an active low output asserted by the ST6x86 CPU when an unmasked floating point error occurs. FERR# is asserted during execution of the FPU instruction that caused the error. FERR# does not float during bus hold states.

Ignore Numeric Error (IGNNE#) is an active low input which forces the ST6x86 CPU to ignore any pending unmasked FPU errors and allows continued execution of floating point instructions. When IGNNE# is not asserted and an unmasked FPU error is pending, the ST6x86 CPU only executes the following floating point instructions: FNCLEX, FNINIT, FNSAVE, FNSTCW, FNSTENV, and FNSTSW#. IGNNE# is ignored when the NE bit in CR0 is set to a 1.

3.2.14 Scatter/Gather Buffer Interface

The scatter/gather buffer interface signals (BHOLD, DHOLD, LBA#, QDUMP#), in conjunction with the byte enables (BE7#-BE0#) and address hold (AHOLD), can be used by the system hardware to transfer data to/from a 32-bit peripheral interface bus. A 64-bit buffer resides in the ST6x86 CPU to assist the system in these transfers. This buffer provides scatter/gather capability during four different types of transfers as listed in Table 3.9.

Table 3.9. Scatter/Gather Cycles

CYCLE TYPE	BHOLD USED	DHOLD USED	QDUMP# USED	DATA BUS TIMING
CPU Write to 32-Bit Bus	x	--	--	Data driven 1 clock after byte enables asserted.
CPU Read from 32-Bit Bus	x	--	--	Data sampled 1 clock after byte enables asserted.
32-Bit Bus Master Write to Memory *				
(1) Scatter/gather buffer load from 32-bit bus master.	x	x	--	Data sampled 1 clock after byte enables asserted.
(2) Scatter/gather buffer write to memory.	x	--	x	Data driven 1 clock after QDUMP# asserted.
32-Bit Bus Master Read from Memory *				
(1) Scatter/gather buffer load from memory.	x	x	--	Data sampled 1 clock after byte enables asserted.
(2) Scatter/gather buffer write to 32-bit bus master.	x	--	x	Data driven 1 clock after QDUMP# asserted.

*Note: Bus master transfers using the scatter/gather buffer must be initiated while the CPU bus is in a bus hold state or an idle state. These cycles cannot occur during CPU initiated bus cycles.

Byte Enable Hold (BHOLD) is an active high input that causes the ST6x86 CPU to float the byte enable outputs (BE7#-BE0#) in the next clock. While BHOLD is asserted, only the byte enables are disabled. The current bus cycle remains active and can be completed in the normal fashion. The ST6x86 CPU continues to generate additional bus cycles while BHOLD is asserted, so BHOLD should only be asserted while AHOLD is asserted.

BHOLD is asserted by the external system during scatter/gather buffer cycles. While BHOLD is asserted, the byte enables are driven by an external source and indicate which bytes of the data bus should be loaded into/written out of the scatter/gather buffer. The ST6x86 CPU samples the byte enables at each rising clock edge while BHOLD is asserted. Table 3.10 lists the byte enable mappings for the scatter/gather cycles.

Table 3.10. Byte Enable Map for Scatter/Gather Cycles

CYCLE TYPE	BE7-BE0#	SOURCE	DESTINATION
CPU Read from 32-Bit Bus	FF	CPU Data Bus	Scatter/Gather Buffer
	Fx	No Transfer	No Transfer
	x F	31-0	31-0
	xx	31-0	63-32
CPU Write to 32-Bit Bus*	FF	63-0	63-0
	Fx	Scatter/Gather Buffer	CPU Data Bus
	x F	No Transfer	No Transfer
	xx	31-0	31-0
Scatter/Gather Buffer Load for 32-Bit Bus Master	FF	63-32	31-0
	Fx	31-0	31-0
	x F	63-0	63-0
	xx	63-0	63-0
Scatter/Gather Buffer Dump using QDUMP#	FF	CPU Data Bus	Scatter/Gather Buffer
	Fx	No Transfer	No Transfer
	x F	31-0	31-0
	xx	63-32	31-0
		63-0	63-0

*Note: If LBA# is active during a CPU write cycle with BE3-BE0# inactive, the ST6x86 CPU automatically maps the upper dword of data (D63-D32) to the lower dword of the data bus (D31-D0).

Data Bus Hold (DHOLD) is an active high input that forces the ST6x86 CPU to float the data bus lines (D63-D0) and the data parity lines (DP7-DP0) in the next clock. While DHOLD is asserted, only the data and data parity buses are disabled. The current bus cycle remains active and is completed in the normal fashion in response to BRDY#. The ST6x86 CPU generates additional bus cycles while DHOLD is asserted. To avoid writing invalid data, during a write cycle, DHOLD and BRDY# should not be asserted at the same time,

The external system asserts DHOLD during scatter/gather buffer load cycles when the ST6x86 CPU is not the bus master. While DHOLD is asserted, the data bus is driven by an external source and the information is loaded into the scatter/gather buffer based on the state of the byte enables (BHOLD asserted). The data bus is sampled one clock after the clock edge at which an active byte enable is sampled.

Local Bus Access (LBA#) is an active low output asserted by the ST6x86 CPU for any I/O bus cycle or for any bus access that resides within a "local bus" address region as specified by the on-chip configuration registers. LBA# is asserted during the clock that ADS# is asserted and remains asserted for only one clock. LBA# is used to indicate a cycle intended to address a device using the 32-bit peripheral bus. If LBA# is active during a CPU write cycle with BE(3-0)# inactive, the ST6x86 CPU automatically maps the upper dword of data to the lower dword of the data bus.

Q Buffer Dump (QDUMP#) is an active low input asserted by the external system to dump the contents of the scatter/gather buffer to the data bus. The data bytes specified by the asserted byte enables are driven onto the data bus during the clock after QDUMP# is sampled asserted. QDUMP# must be asserted at the falling edge of RESET to enable the scatter/gather interface pins.

3.2.15 Power Management Interface

The two power management signals (SUSP#, SUSPA#) allow the ST6x86 CPU to enter and exit suspend mode. The ST6x86 CPU also enters suspend mode as the result of executing a HALT instruction if the HALT bit is set in CCR2. Suspend mode circuitry forces the ST6x86 CPU to consume minimal power while maintaining the entire internal CPU state.

Suspend Request (SUSP#) is an active low input which requests that the ST6x86 CPU enter suspend mode. After recognition of an active SUSP# input, the ST6x86 CPU completes execution of the current instruction, any pending decoded instructions and associated bus cycles, issues a stop grant bus cycle, and then asserts the SUSPA# output. SUSP# is ignored following RESET and is enabled by setting the SUSP bit in CCR2.

The **Suspend Acknowledge (SUSPA#)** output indicates that the ST6x86 CPU has entered low-power suspend mode as the result of either assertion of SUSP# or execution of a HALT instruction. SUSPA# remains asserted until SUSP# is negated, or until an interrupt is serviced if suspend mode was entered via the HALT instruction. If SUSP# is asserted and then negated prior to SUSPA# assertion, SUSPA# may toggle state after SUSP# negates.

The ST6x86 CPU accepts cache flush requests and cache inquiry cycles while SUSPA# is asserted. If FLUSH# is asserted, the CPU exits the low power state and services the flush request. After completion of all required write-back cycles, the CPU returns to the low power state. SUSPA# negates during the write-back cycles. Before issuing the write-back cycle, the CPU may execute several code fetches.

If AHOLD, BOFF# or HOLD is asserted while SUSPA# is asserted, the CPU exits the low power state in preparation for a cache inquiry cycle. After completion of any required write-back cycles resulting from the cache inquiry, the CPU returns to the low power state only if HOLD, BOFF# and AHOLD are negated. SUSPA# negates during the write-back cycle.

Table 3.11 lists the ST6x86 CPU signal states for suspend mode when initiated by either SUSP# or the HALT instruction. SUSPA# is disabled (three-state) following RESET and is enabled by setting the SUSP bit in CCR2.

Table 3.11. Signal States During Suspend Mode

SIGNAL LINE	SUSP# INITIATED/ HALT INITIATED	SIGNAL LINE	SUSP# INITIATED/ HALT INITIATED
A20M#	Ignored	INTR	Latched/Recognized
A31-A3	Driven	INV	Recognized
ADS#	1	KEN#	Ignored
ADSC#	1	LBA#	1
AHOLD	Recognized	LOCK#	1
AP	Driven	M/IO#	Driven
APCHK#	1	NA#	Ignored
BE7#-BE0#	Driven	NMI	Latched/Recognized
BHOLD	Ignored	PCD	Driven
BOFF#	Recognized	PCHK#	1
BRDY#	Ignored	PWT	Driven
BRDYC#	Ignored	QDUMP#	Ignored
BREQ	0	RESET	Recognized
CACHE#	Driven	SCYC	Driven
D/C#	Driven	SMI#	Latched/Recognized
D63-D0	Float	SMIACT#	1
DHOLD	Ignored	SUSP#	0 / Recognized
DP7-DP0	Float	SUSPA#	0
EADS#	Recognized	TCK	Recognized
EWBE#	Ignored	TDI	Recognized
FERR#	1	TDO	Responds to TCK, TDI, TMS, TRST#
FLUSH#	Recognized	TMS	Recognized
HIT#	Driven	TRST#	Recognized
HITM#	1	W/R#	Driven
HLDA	Driven in response to HOLD	WB/WT#	Ignored
HOLD	Recognized	WM_RST	Latched/Recognized
IGNNE#	Ignored		

3.2.16 JTAG Interface

The ST6x86 CPU can be tested using JTAG Interface (IEEE Std. 1149.1) boundary scan test logic. The ST6x86 CPU pin state can be set according to serial data supplied to the chip. The ST6x86 CPU pin state can also be recorded and supplied as serial data.

Test Clock (TCK) is the clock input used by the ST6x86 CPU boundary scan (JTAG) test logic. The rising edge of TCK is used to clock control and data information into the ST6x86 CPU using the TMS and TDI pins. The falling edge of TCK is used to clock data information out of the ST6x86 CPU using the TDO pin.

Test Data Input (TDI) is the serial data input used by the ST6x86 CPU boundary scan (JTAG) test logic. TDI is sampled on the rising edge of TCK.

Test Data Output (TDO) is the serial data output used by the ST6x86 CPU boundary scan (JTAG) test logic. TDO is output on the falling edge of TCK.

Test Mode Select (TMS) is the control input used by the ST6x86 CPU boundary scan (JTAG) test logic. TMS is sampled on the rising edge of TCK.

Test Reset (TRST#) is an active low input used to initialize the ST6x86 CPU boundary scan (JTAG) test logic.

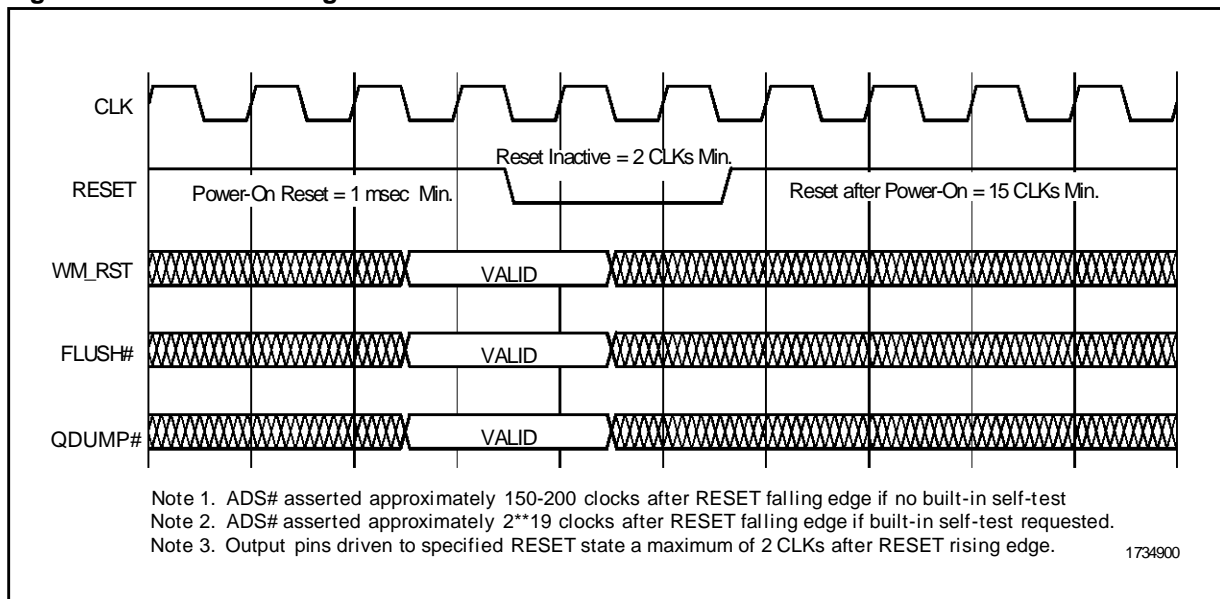
3.3 Functional Timing

3.3.1 Reset Timing

Figure 3.2 illustrates the required RESET timing for both a power-on reset and a reset that occurs during operation.

The WM_RST, FLUSH# and QDUMP# inputs are sampled at the falling edge of RESET to determine if the ST6x86 CPU should enter built-in self-test, enable tri-state test mode or enable the scatter-gather interface pins, respectively. WM_RST, FLUSH# and QDUMP# must be valid at least two clocks prior to the RESET falling edge.

Figure 3.2. RESET Timing



3.3.2 Bus State Definition

The ST6x86 CPU bus controller supports non-pipelined and pipelined operation as well as single transfer and burst bus cycles. During each

CLK period, the bus controller exists in one of six states as listed in Table 3.12. Each of these bus states and its associated state transitions is illustrated in (Figure 3.3) and listed in Table 3.13.

Table 3.12. ST6x86 CPU Bus States

STATE	NAME	DESCRIPTION
Ti	Idle Clock	During Ti, no bus cycles are in progress. BOFF# and RESET force the bus to the idle state. The bus is always in the idle state while HLDA is active.
T1	First Bus Cycle Clock	During the first clock of a non-pipelined bus cycle, the bus enters the T1 state. ADS# is asserted during T1 along with valid address and bus cycle definition information.
T2	Second and Subsequent Bus Cycle Clock	During the second clock of a non-pipelined bus cycle, the bus enters the T2 state. The bus remains in the T2 state for subsequent clocks of the bus cycle as long as a pipelined cycle is not initiated. During T2, valid data is driven during write cycles and data is sampled during reads. BRDY# is also sampled during T2. The bus also enters the T2 state to complete bus cycles that were initiated as pipelined cycles but complete as the only outstanding bus cycle.
T12	First Pipelined Bus Cycle Clock	During the first clock of a pipelined cycle, the bus enters the T12 state. During T12, data is being transferred and BRDY# is sampled for the current cycle at the same time that ADS# is asserted and address/bus cycle definition information is driven for the next (pipelined) cycle.
T2P	Second and Subsequent Pipelined Bus Cycle Clock	During the second and subsequent clocks of a pipelined bus cycle where two cycles are outstanding, the bus enters the T2P state. During T2P, data is being transferred and BRDY# is sampled for the current cycle. However, valid address and bus cycle definition information continues to be driven for the next pipelined cycle.
Td	Dead Clock	The bus enters the Td state if a pipelined cycle was initiated that requires one idle clock to turn around the direction of the data bus. Td is required for a read followed immediately by a pipelined write, and for a write followed immediately by a pipelined read.

Figure 3.3. ST6x86 CPU Bus State Diagram

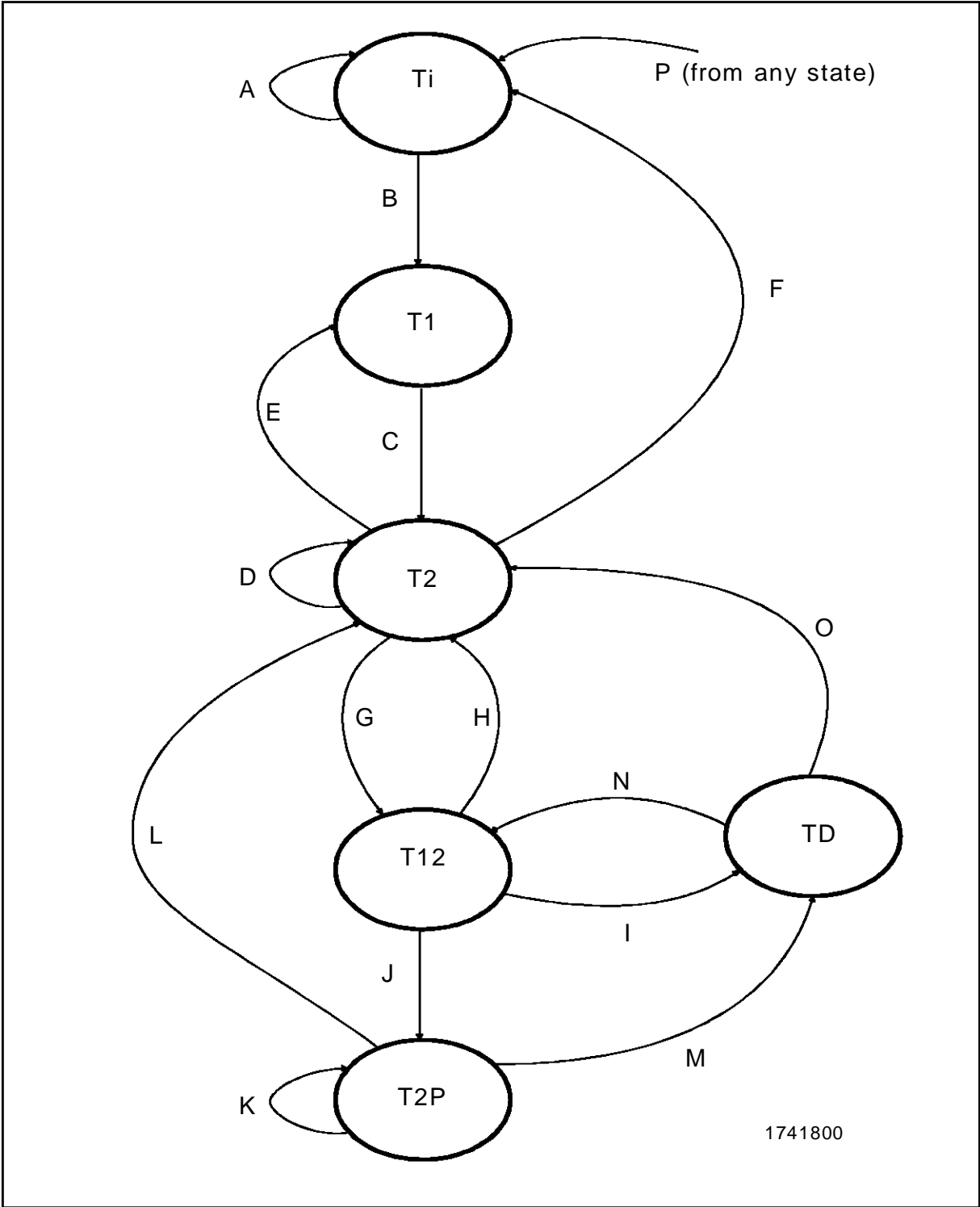


Table 3.13. Bus State Transitions

TRANSITION	CURRENT STATE	NEXT STATE	EQUATION
A	Ti	Ti	No Bus Cycle Pending.
B	Ti	T1	New or Aborted Bus Cycle Pending.
C	T1	T2	Always.
D	T2	T2	Not Last BRDY# and No New Bus Cycle Pending, or Not Last BRDY# and New Bus Cycle Pending and NA# Negated.
E	T2	T1	Last BRDY# and New Bus Cycle Pending and HITM# Negated.
F	T2	Ti	Last BRDY# and No New Bus Cycle Pending, or Last BRDY# and HITM# Asserted.
G	T2	T12	Not Last BRDY# and New Bus Cycle Pending and NA# Sampled Asserted.
H	T12	T2	Last BRDY# and No Dead Clock Required.
I	T12	Td	Last BRDY# and Dead Clock Required.
J	T12	T2P	Not Last BRDY#.
K	T2P	T2P	Not Last BRDY#.
L	T2P	T2	Last BRDY# and No Dead Clock Required.
M	T2P	Td	Last BRDY# and Dead Clock Required.
N	Td	T12	New Bus Cycle Pending and NA# Sampled Asserted.
O	Td	T2	No New Bus Cycle Pending, or New Bus Cycle Pending and NA# Negated.
P	Any State	Ti	RESET Asserted, or BOFF# Asserted.

3.3.3 Non-pipelined Bus Cycles

Non-pipelined bus operation may be used for all bus cycle types. The term “non-pipelined” refers to a mode of operation where the CPU allows only one outstanding bus cycle. In other words, the current bus cycle must complete before a second bus cycle is allowed to start.

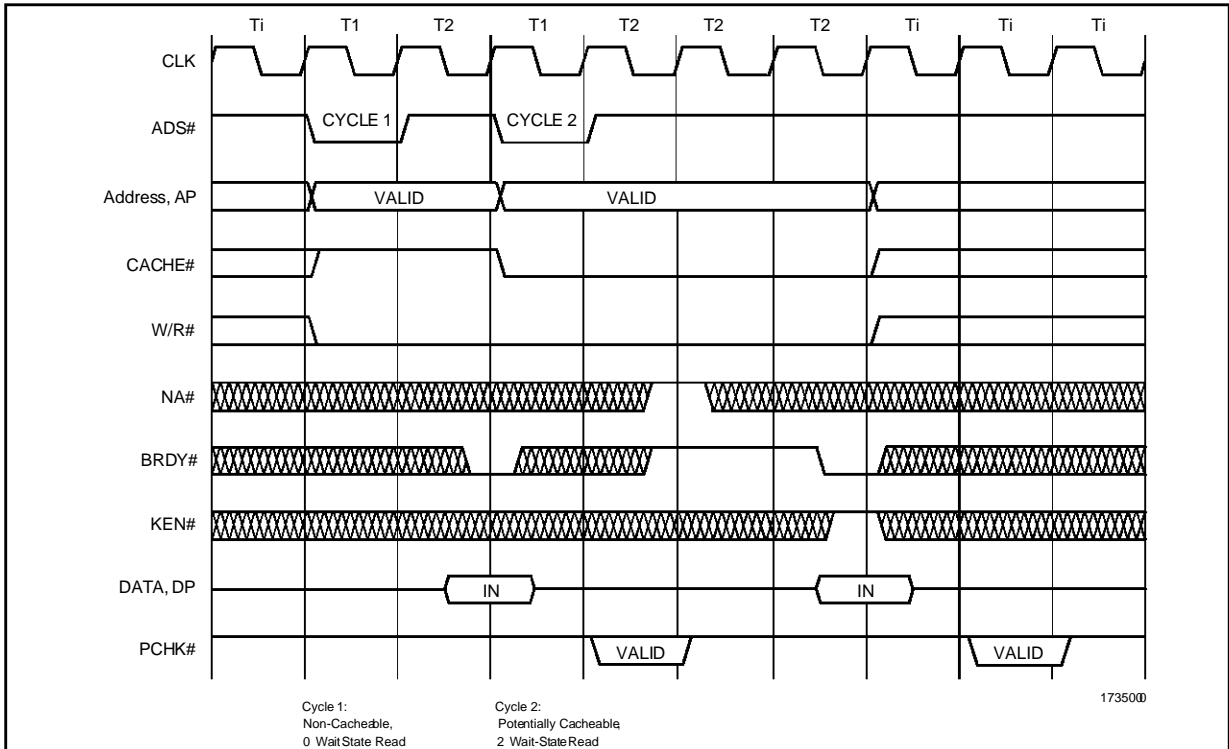
3.3.3.1 Non-pipelined Single Transfer Cycles

Single transfer read cycles occur during non-cacheable memory reads, I/O read cycles, and special cycles. A non-pipelined single transfer read cycle begins with address and bus cycle definition information driven on the bus during the first clock (T1 state) of the bus cycle. The CPU then monitors the BRDY# input at the end of the second clock (T2 state). If BRDY# is asserted, the CPU reads the appropriate data and data parity lines and terminates the bus cycle. If BRDY# is not active, the CPU continues to sample the BRDY# input at the end of each subsequent cycle (T2 states). Each of the additional clocks is referred to as a wait state.

The CPU uses the data parity inputs to check for even parity on the active data lines. If the CPU detects an error, the parity check output (PCHK#) asserts during the second clock following the termination of the read cycle.

Figure 3.4 illustrates the functional timing for two non-pipelined single-transfer read cycles. Cycle 2 is a potentially cacheable cycle as indicated by the CACHE# output. Because this cycle is potentially cacheable, the CPU samples the KEN# input at the same clock edge that BRDY# is asserted. If KEN# is negated, the cycle terminates as shown in the diagram. If KEN# is asserted, the CPU converts this cycle into a burst cycle as described in the next section. NA# must be negated for non-pipelined operation. Pipelined bus cycles are described later in this chapter.

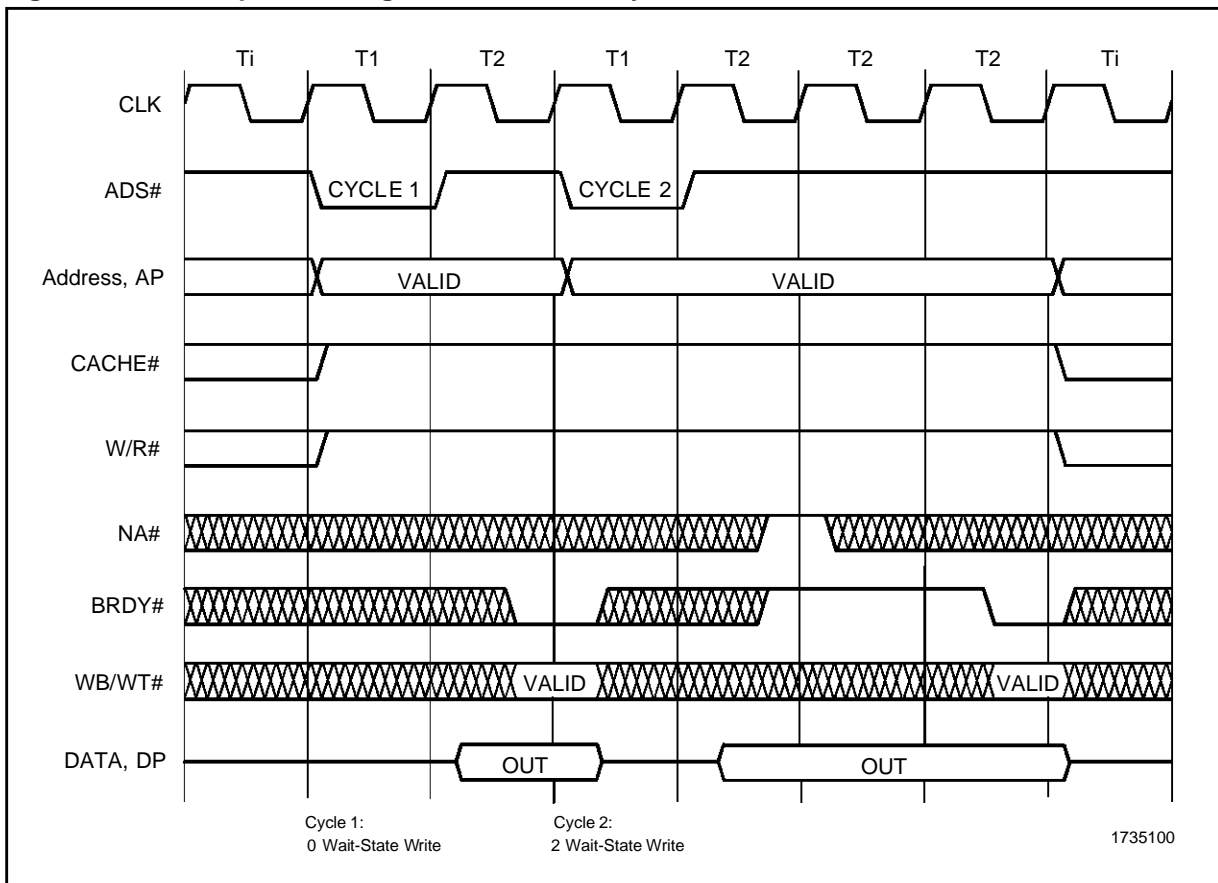
Figure 3.4. Non-Pipelined Single Transfer Read Cycles



Single transfer write cycles occur for writes that are neither line replacement nor write-back cycles. The functional timing of two non-pipelined single transfer write cycles is shown in Figure 3.5. During a write cycle, the data and data parity lines are outputs and are driven valid during the second clock (T2 state) of the bus cycle.

Data and data parity remain valid during all wait states. If the write cycle is a write to a valid cache location in the "shared" state, the WB/WT# pin is sampled with BRDY#. If WB/WT# is sampled high, the cache line transitions from the "shared" to the "exclusive" state.

Figure 3.5. Non-Pipelined Single Transfer Write Cycles



3.3.3.2 Non-pipelined Burst Read Cycles

The ST6x86 CPU uses burst read cycles to perform cache line fills. During a burst read cycle, four 64-bit data transfers occur to fill one of the CPU's 32-byte internal cache lines. A non-pipelined burst read cycle begins with address and bus cycle definition information driven on the bus during the first clock (T1 state) of the bus cycle. The CACHE# output is always active during a burst read cycle and is driven during the T1 clock.

The CPU then monitors the BRDY# input at the end of the second clock (T2 state). If BRDY# is asserted, the CPU reads the data and data parity and also checks the KEN# input. If KEN# is negated, the CPU terminates the bus cycle as a single transfer cycle. If KEN# is asserted, the CPU converts the cycle into a burst (cache line fill) by continuing to sample BRDY# at the end of each subsequent clock. BRDY# must be asserted a total of four times to complete the burst cycle.

WB/WT# is sampled at the same clock edge as KEN#. In conjunction with PWT and the on-chip configuration registers, WB/WT# determines the MESI state of the cache line for the current line fill.

Each time BRDY# is sampled asserted during the burst cycle, a data transfer occurs. The CPU reads the data and data parity busses and assigns the data to an internally generated burst address. Although the CPU internally generates the burst address sequence, only the first address of the burst is driven on the external address bus. System logic must predict the burst address sequence based on the first address. Wait states may be added to any transfer within a burst by delaying the assertion of BRDY# by the desired number of clocks.

The CPU checks even data parity for each of the four transfers within the burst. If the CPU detects an error, the parity check output (PCHK#) asserts during the second clock following the BRDY# assertion of the data transfer.

Figure 3.6 illustrates two non-pipelined burst read cycles. The cycles shown are the fastest possible burst sequences (2-1-1-1). NA# must be negated for non-pipelined operation as shown in the diagram. Pipelined bus cycles are described later in this chapter.

Figure 3.7 depicts a burst read cycle with wait states. A 3-2-2-2 burst read is shown.

Figure 3.6. Non-Pipelined Burst Read Cycles

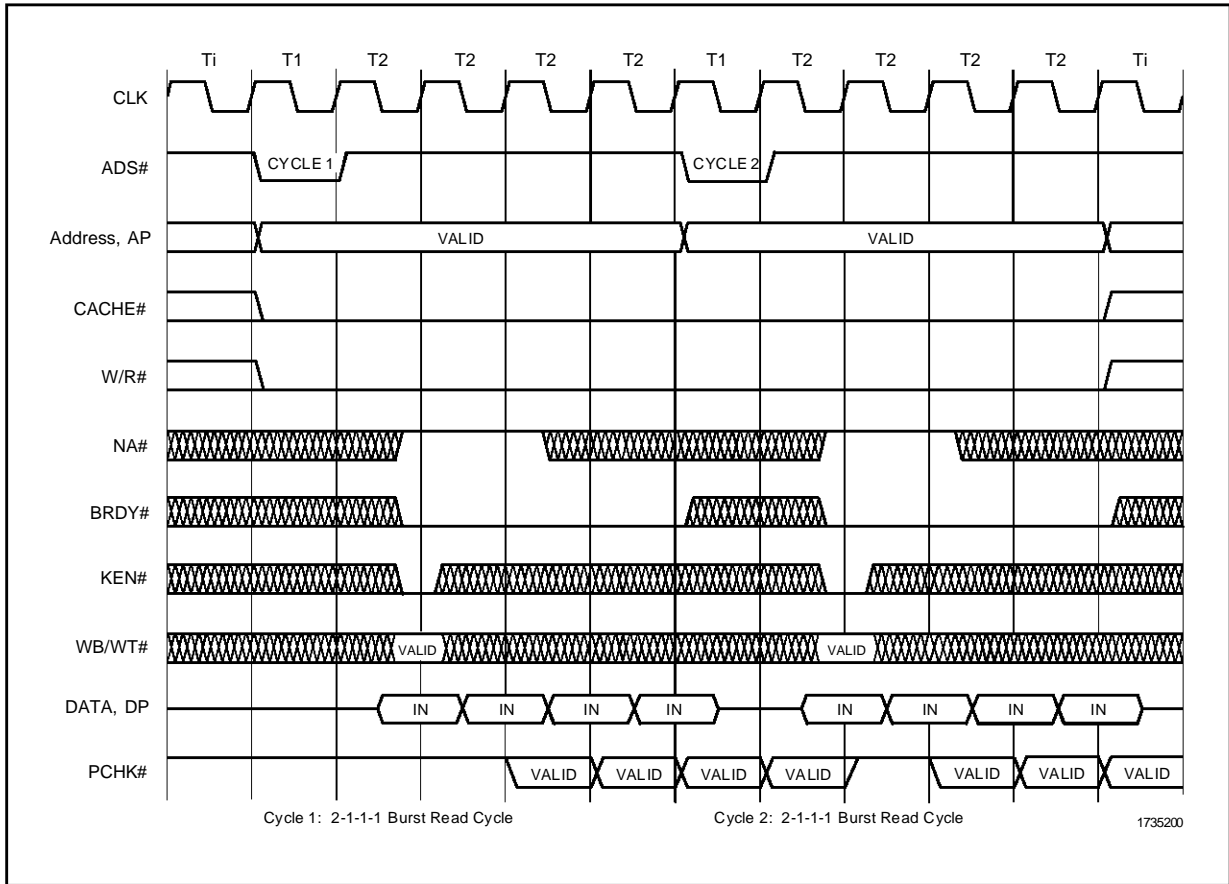
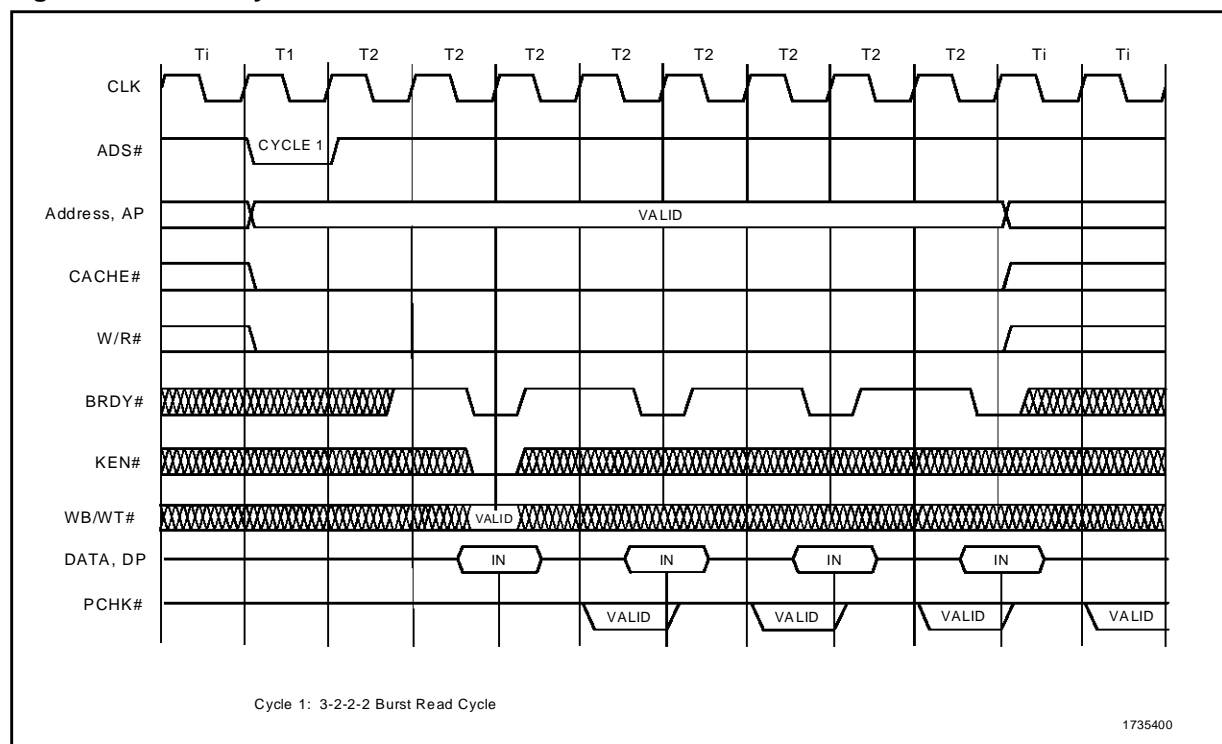


Figure 3.7. Burst Cycle with Wait States



Burst Cycle Address Sequence.

The ST6x86 CPU provides two different address sequences for burst read cycles. The ST6x86 CPU burst cycle address sequence modes are referred to as “1+4” and “linear”. After reset, the CPU default mode is “1+4”.

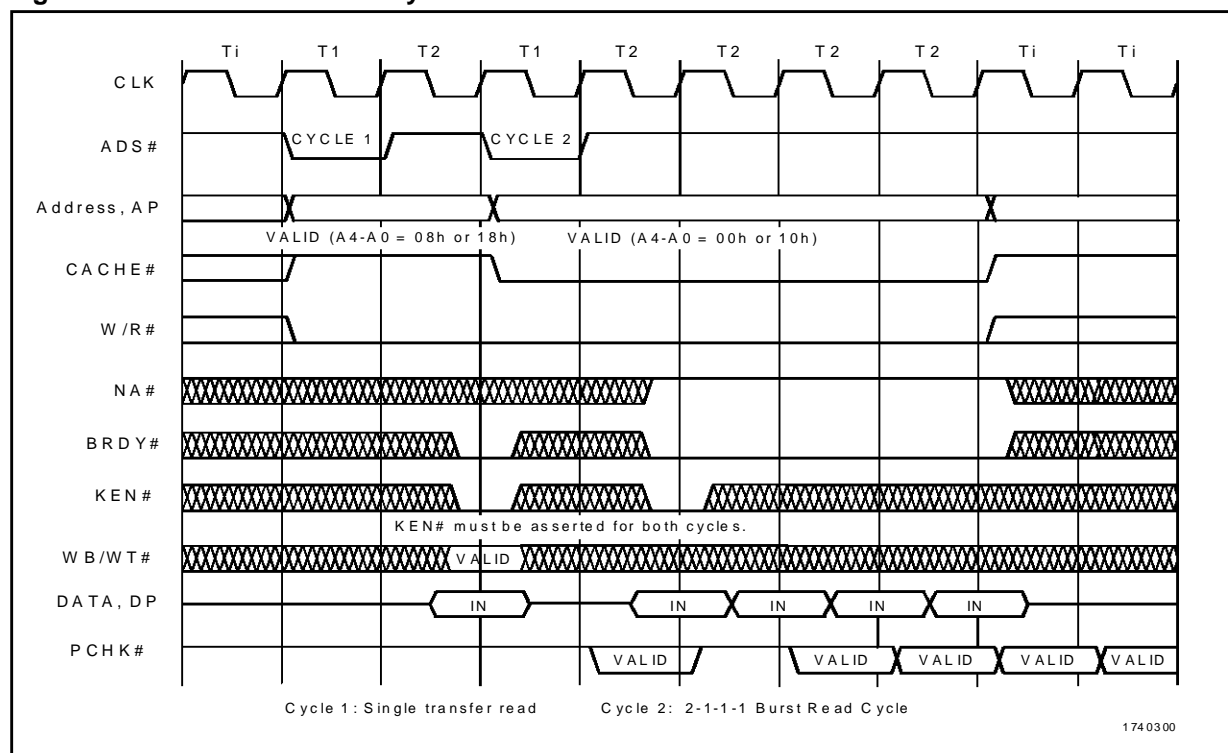
In “1+4” mode, the CPU performs a single transfer read cycle prior to the burst cycle, if the desired first address is (...xx8). During this single transfer read cycle, the CPU reads the critical data. In addition, the ST6x86 CPU samples the state of KEN#.

If KEN# is active, the CPU then performs the burst cycle with the address sequence shown in Table 3.14. The ST6x86 CPU CACHE# output is not asserted during the single read cycle prior to the burst. Therefore, CACHE# must not be used to qualify the KEN# input to the processor. In addition, if KEN# is returned active for the “1” read cycle in the “1+4”, all data bytes supplied to the CPU must be valid. The CPU samples WB/WT# during the “1” read cycle, and does not resample WB/WT# during the following burst cycle. Figure 3.8 illustrates a “1+4” burst read cycle.

Table 3.14. "1+4" Burst Address Sequence

BURST CYCLE FIRST ADDRESS	SINGLE READ CYCLE PRIOR TO BURST	BURST CYCLE ADDRESS SEQUENCE
0	None	0-8-10-18
8	Address 8	0-8-10-18
10	None	10-18-0-8
18	Address 18	10-18-0-8

Figure 3.8. "1+4" Burst Read Cycle



1740300

ST6x86

The address sequences for the ST6x86 CPU's linear burst mode are shown in Table 3.15. Operating the CPU in linear burst mode minimizes processor bus activity resulting in higher system

performance. Linear burst mode can be enabled through the ST6x86 CPU CCR3 configuration register.

Table 3.15. Linear Burst Address Sequence

BURST CYCLE FIRST ADDRESS	BURST CYCLE ADDRESS SEQUENCE
0	0-8-10-18
8	8-10-18-0
10	10-18-0-8
18	18-0-8-10

3.3.3.3 Burst Write Cycles

Burst write cycles occur for line replacement and write-back cycles. Burst writes are similar to burst read cycles in that the CACHE# output is asserted and four 64-bit data transfers occur. Burst writes differ from burst reads in that the data and data parity lines are outputs rather than inputs. Also, KEN# and WB/WT# are not sampled during burst write cycles.

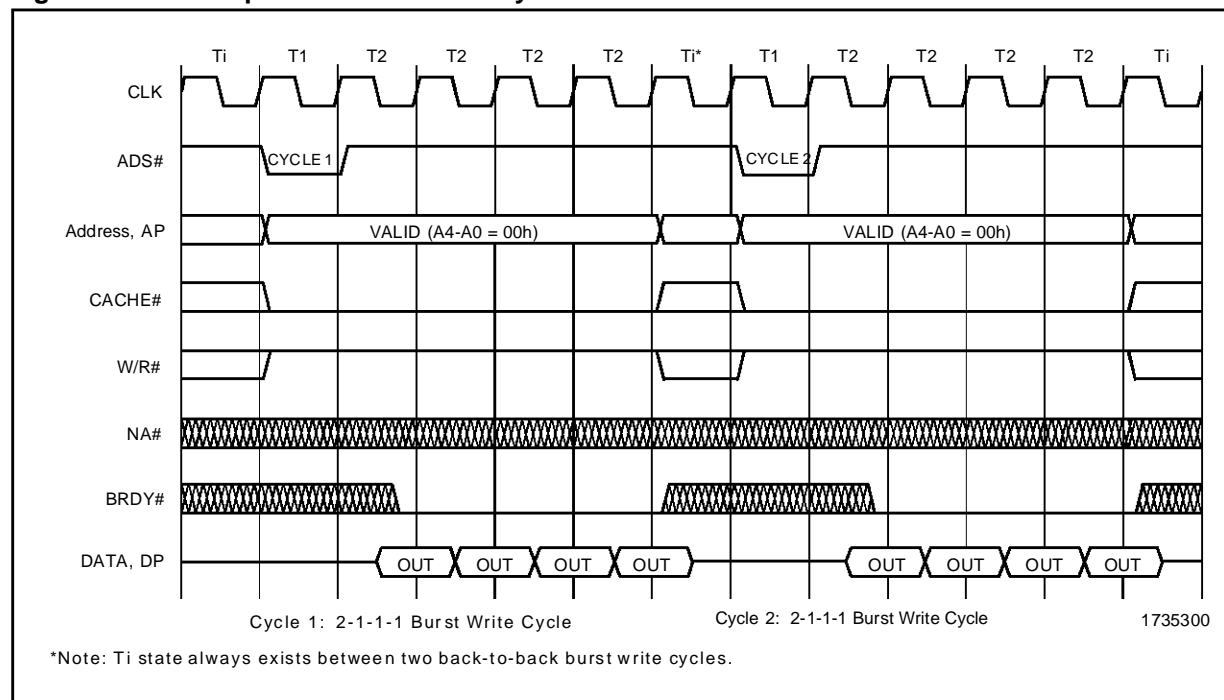
Data and data parity for the first data transfer are driven valid during the second clock (T2 state) of the bus cycle. Once BRDY# is sampled asserted for the first data transfer, valid data and data parity for the second transfer are driven during the next clock cycle. The same timing relationship between BRDY# and data applies for the third and fourth data transfers as well. Wait states may be added

to any transfer within a burst by delaying the assertion of BRDY# by the required number of clocks.

As on burst read cycles, only the first address of a burst write cycle is driven on the external address bus. System logic must predict the remaining burst address sequence based on the first address. Burst write cycles always begin with a first address ending in 0 (signals A4-A0=0) and follow an ascending address sequence for the remaining transfers (0-8-10-18).

Figure 3.9 illustrates two non-pipelined burst write cycles. The cycles shown are the fastest burst sequences (2-1-1-1). As shown, an idle clock always exists between two back-to-back burst write cycles. Therefore, the second burst write cycle in a pair of back-to-back burst writes is always issued as a non-pipelined cycle regardless of the state of the NA# input.

Figure 3.9. Non-Pipelined Burst Write Cycles



3.3.4 Pipelined Bus Cycles

Pipelined addressing is a mode of operation where the CPU allows up to two outstanding bus cycles at any given time. Using pipelined addressing, the address of the first bus cycle is driven on the bus and while the CPU waits for the data for the first cycle, the address for a second bus cycle is issued. Pipelined bus cycles occur for all cycle types except locked cycles and burst write cycles.

Pipelined cycles are initiated by asserting NA#. The CPU samples NA# at the end of each T2, T2P and Td state. KEN# and WB/WT# are sampled at either the same clock as NA# is active, or at the same clock as the first BRDY# for that cycle, whichever occurs first. The CPU issues the next

address a minimum of two clocks after NA# is sampled asserted.

The CPU latches the state of the NA# pin internally. Therefore, even if a new bus cycle is not pending internally at the time NA# was sampled asserted, the CPU still issues a pipelined bus cycle if an internal bus request occurs prior to completion of the current bus cycle. Once NA# is sampled asserted, the state of NA# is ignored until the current bus cycle completes. If two cycles are outstanding and the second cycle is a read, the CPU samples KEN# and WB/WT# for the second cycle when NA# is sampled asserted.

Figure 3.10 and Figure 3.11 illustrate pipelined single transfer read cycles and pipelined burst read cycles, respectively.

Figure 3.10. Pipelined Single Transfer Read Cycles

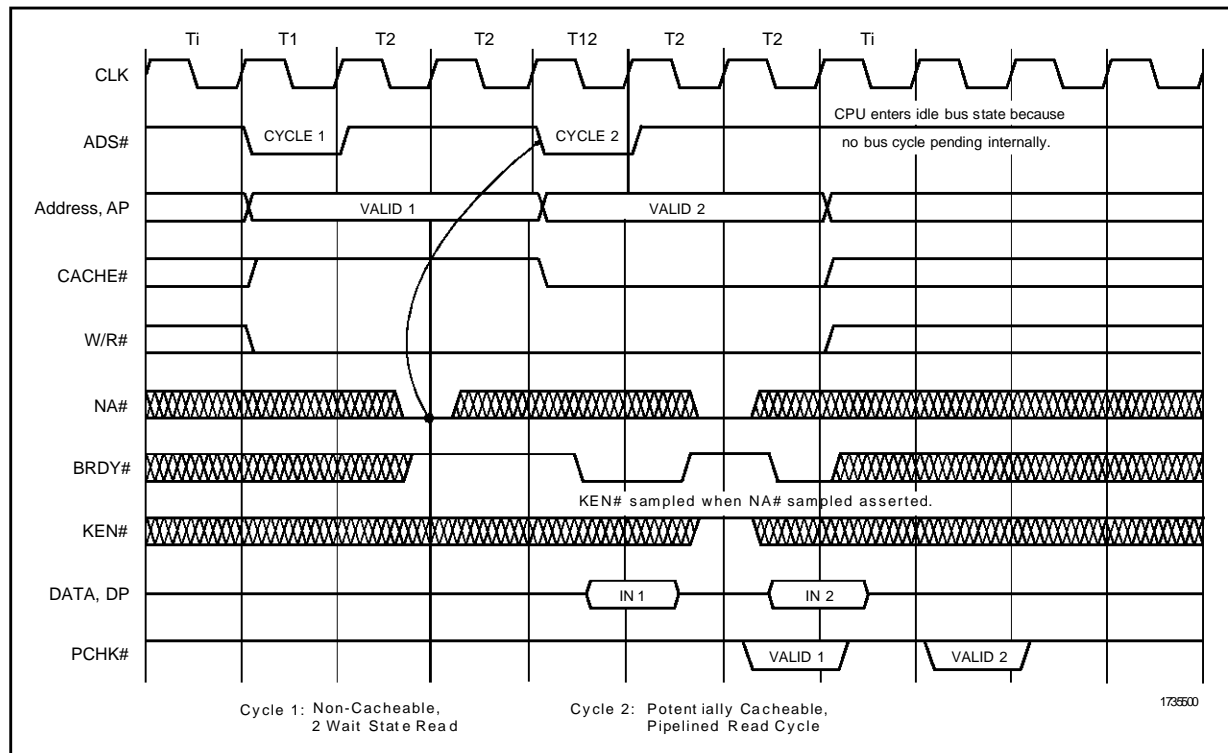
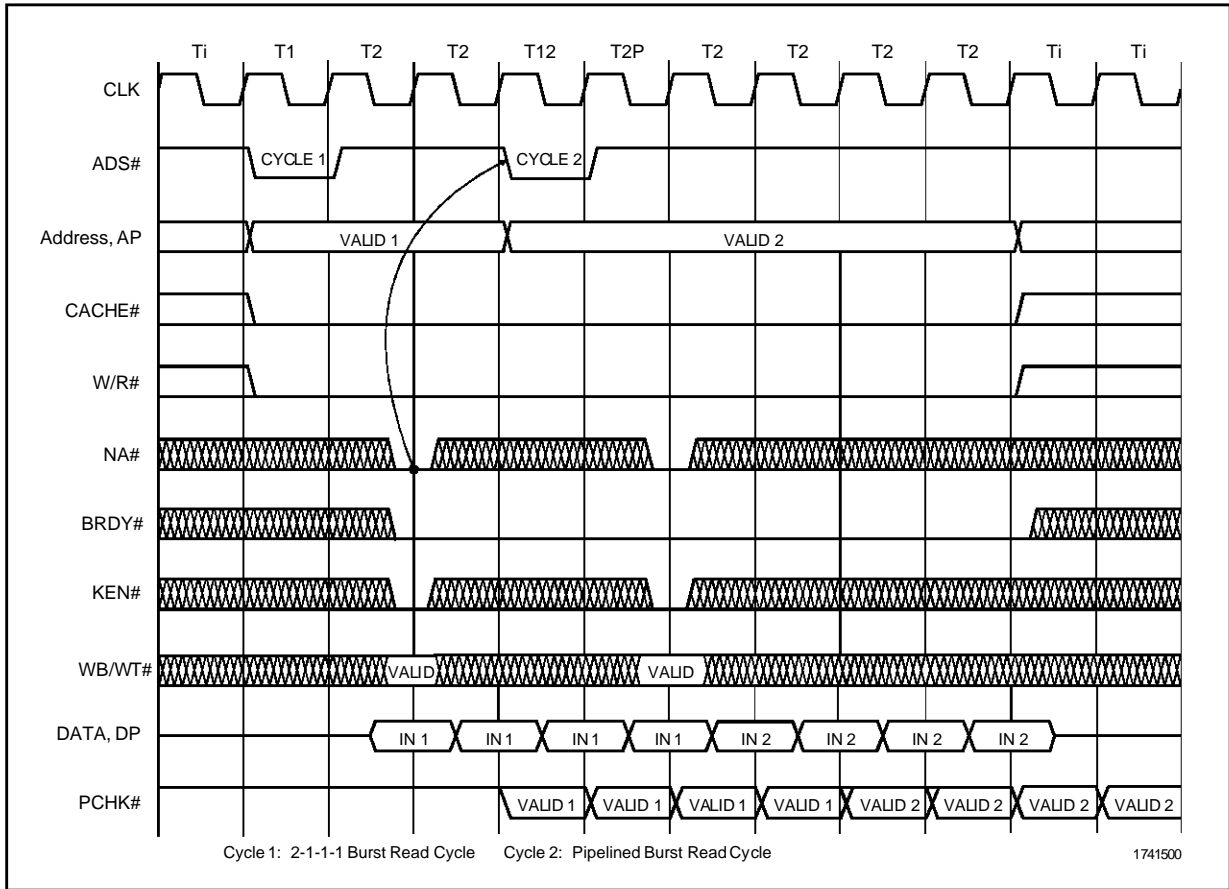


Figure 3.11. Pipelined Burst Read Cycles

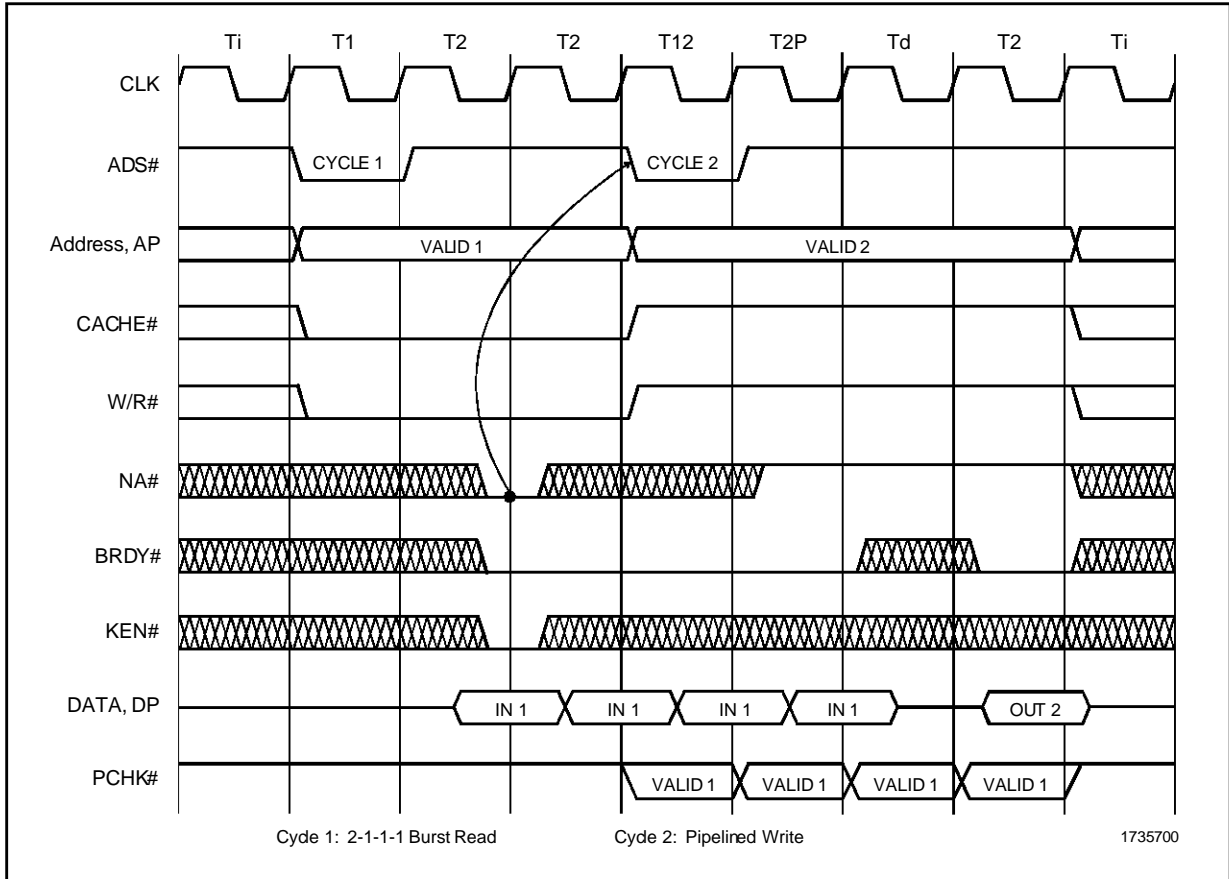


3.3.4.1 Pipelined Back-to-Back Read/Write Cycles

Figure 3.12 depicts a read cycle followed by a pipelined write cycle. Under this condition, the data bus must change from an input for the read cycle to an output for the write cycle. In order to accomplish this transition without causing data bus

contention, the CPU automatically inserts a “dead” (Td) clock cycle. During the Td state, the data bus floats. The CPU then drives the write data onto the bus in the following clock. The CPU also inserts a Td clock between a write cycle and a pipelined read cycle to allow the data bus to smoothly transition from an output to an input.

Figure 3.12. Read Cycle Followed by Pipelined Write Cycle



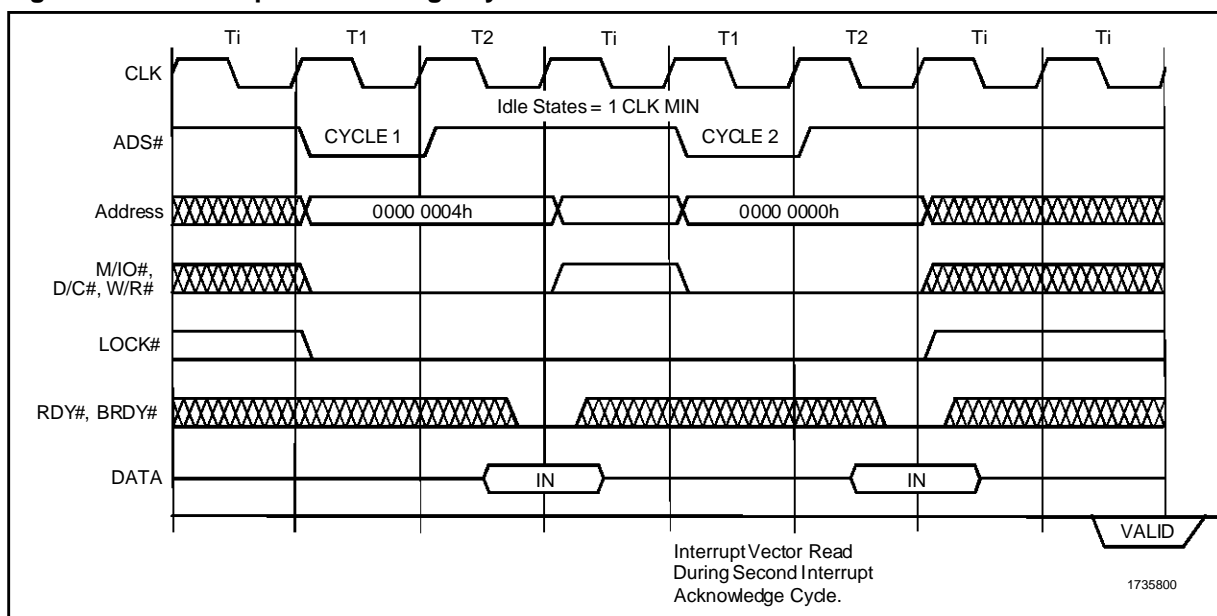
3.3.5 Interrupt Acknowledge Cycles

The CPU issues interrupt acknowledge bus cycles in response to an active INTR input. Interrupt acknowledge cycles are single transfer cycles and always occur in locked pairs as shown in Figure 3.13. The CPU reads the interrupt vector from the lower eight bits of the data bus at the completion of the second interrupt acknowledge cycle. Parity is

not checked during the first interrupt acknowledge cycle.

M/I/O#, D/C# and W/R# are always logic low during interrupt acknowledge cycles. Additionally, the address bus is driven with a value of 0000 0004h for the first interrupt acknowledge cycle and with a value of 0000 0000h for the second. A minimum of one idle clock always occurs between the two interrupt acknowledge cycles.

Figure 3.13. Interrupt Acknowledge Cycles

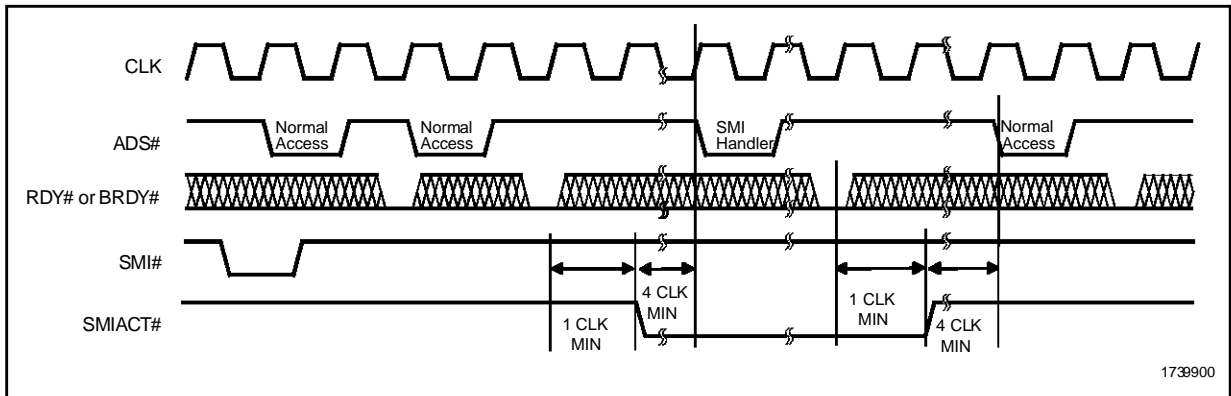


3.3.6 SMI# Interrupt Timing

The CPU samples the System Management Interrupt (SMI#) input at each clock edge. At the next appropriate instruction boundary, the CPU recognizes the SMI# and completes all pending write cycles. The CPU then asserts SMIACT# and begins saving the SMM header information to the SMM address space. SMIACT# remains asserted until after execution of a RSM instruction. Figure 3.14 illustrates the functional timing of the SMIACT# signal.

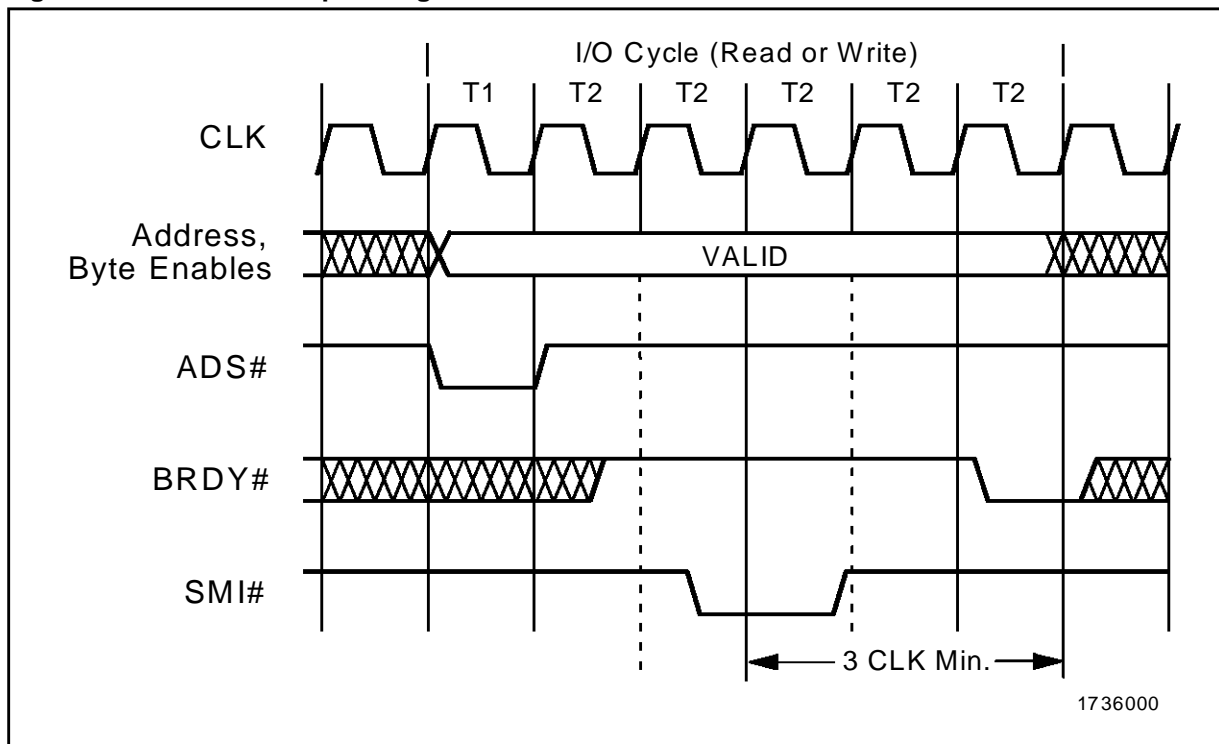
To facilitate using SMI# to power manage I/O peripherals, the ST6x86 CPU implements a feature called I/O trapping. If the current bus cycle is an I/O cycle and SMI# is asserted a minimum of three clocks prior to BRDY#, the CPU immediately begins execution of the SMI service routine following completion of the I/O instruction. No additional instructions are executed prior to entering the SMI service routine. I/O trap timing requirements are shown in Figure 3.15.

Figure 3.14. SMIACT# Timing



1739900

Figure 3.15. SMM I/O Trap Timing



3.3.7 Cache Control Timing

3.3.7.1 Invalidating the Cache Using FLUSH#

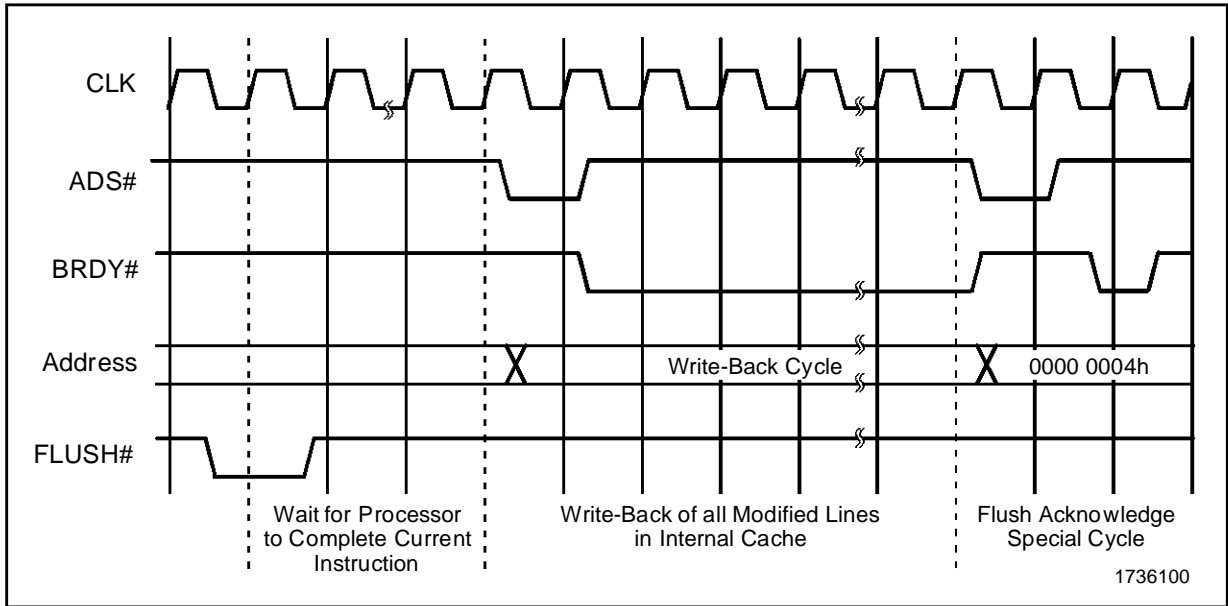
The FLUSH# input forces the CPU to write-back and invalidate the entire contents of the on-chip cache. FLUSH# is sampled at each clock edge, latched internally and then recognized internally at the next instruction boundary. Once FLUSH# is recognized, the CPU issues a series of burst write cycles to write-back any "modified" cache lines. The cache lines are invalidated as they are written back. Following completion of the write-back cycles, the CPU issues a flush acknowledge special bus cycle.

The latency between when FLUSH# occurs and when the cache invalidation actually completes varies depending on:

- (1) the state of the processor when FLUSH# is asserted,
- (2) the number of modified cache lines,
- (3) the number of wait states inserted during the write-back cycles.

Figure 3.16 illustrates the sequence of events that occur on the bus in response to a FLUSH# request.

Figure 3.16. Cache Invalidation Using FLUSH#

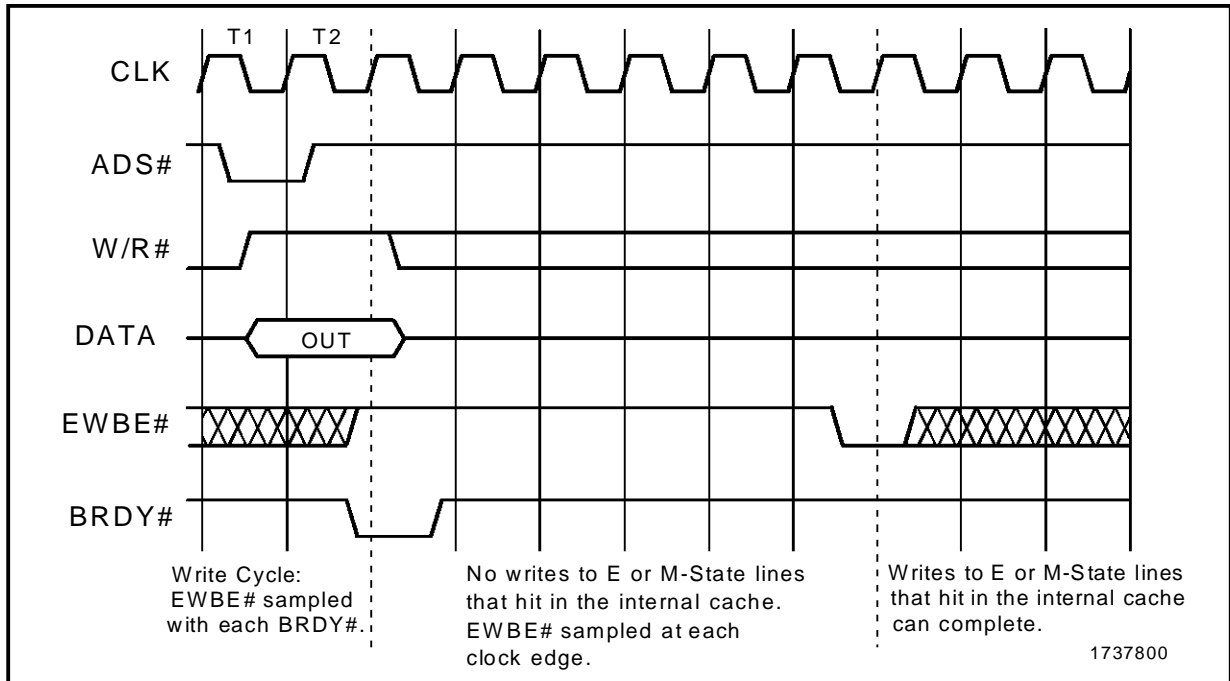


3.3.7.2 EWBE# Timing

During memory and I/O write cycles, the ST6x86 CPU samples the external write buffer empty (EWBE#) input. If EWBE# is negated, the CPU does not write any data to “exclusive” or “modified” internal cache lines.

After sampling EWBE# negated, the CPU continues to sample EWBE# at each clock edge until it asserts. Once EWBE# is asserted, all internal cache writes are allowed. Through use of this signal, the external system may enforce strong write ordering when external write buffers are used. EWBE# functional timing is shown in Figure 3.17.

Figure 3.17. External Write Buffer Empty (EWBE#) Timing



3.3.8 Bus Arbitration

An external bus master can take control of the CPU's bus using either the HOLD/HLDA handshake signals or the back-off (BOFF#) input. Both mechanisms force the ST6x86 CPU to enter the bus hold state.

3.3.8.1 HOLD and HLDA

Using the HOLD/HLDA handshake, an external bus master requests control of the CPU's bus by asserting the HOLD signal. In response to an active HOLD signal, the CPU completes all outstanding bus cycles, enters the bus hold state by floating the bus, and asserts the HLDA output. The CPU remains in the bus hold state until HOLD is negated. Figures 3-18, 3-19 (Page 3-47) and 3-20 (Page 3-48) illustrate the timing associated with requesting HOLD during an idle bus, during a non-pipelined bus cycle and during a pipelined bus cycle, respectively.

Figure 3.18. Requesting Hold from an Idle Bus

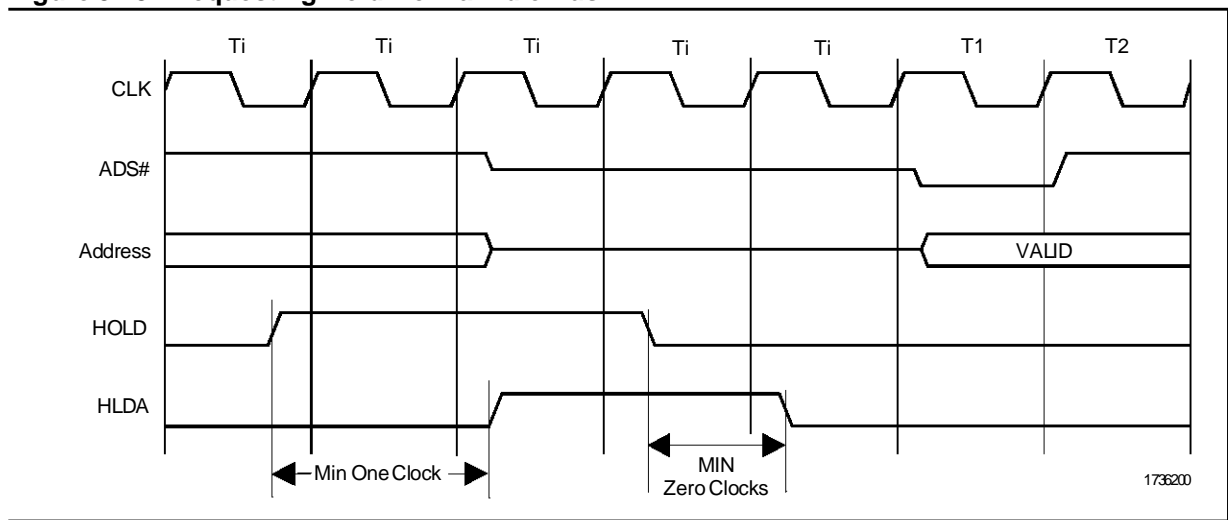


Figure 3.19. Requesting Hold During a Non-Pipelined Bus Cycle

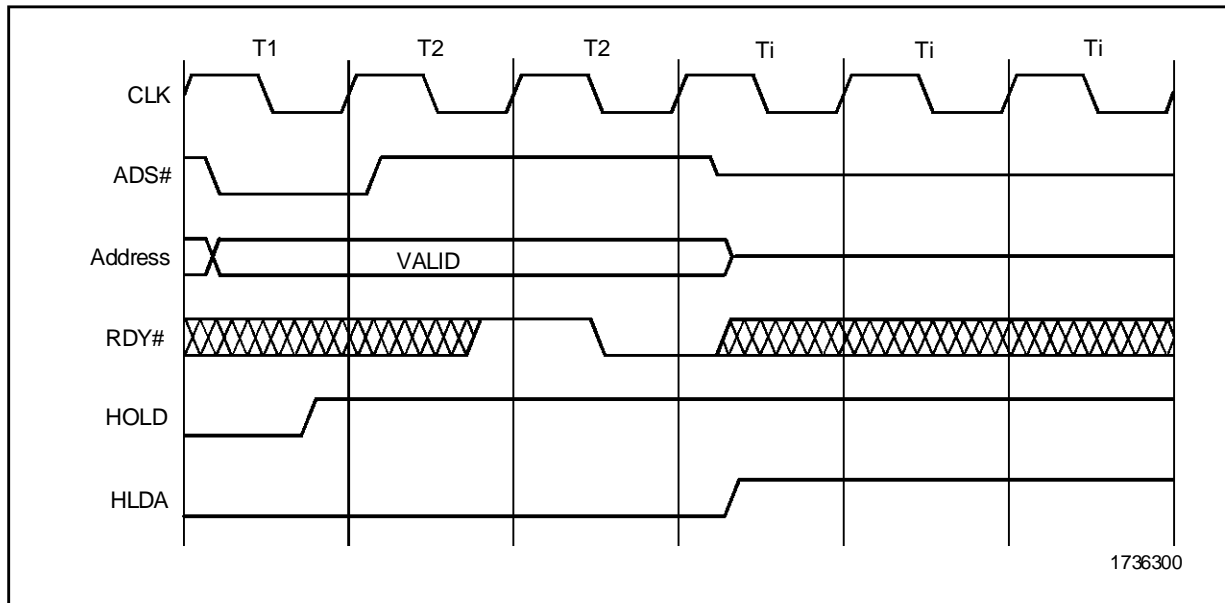
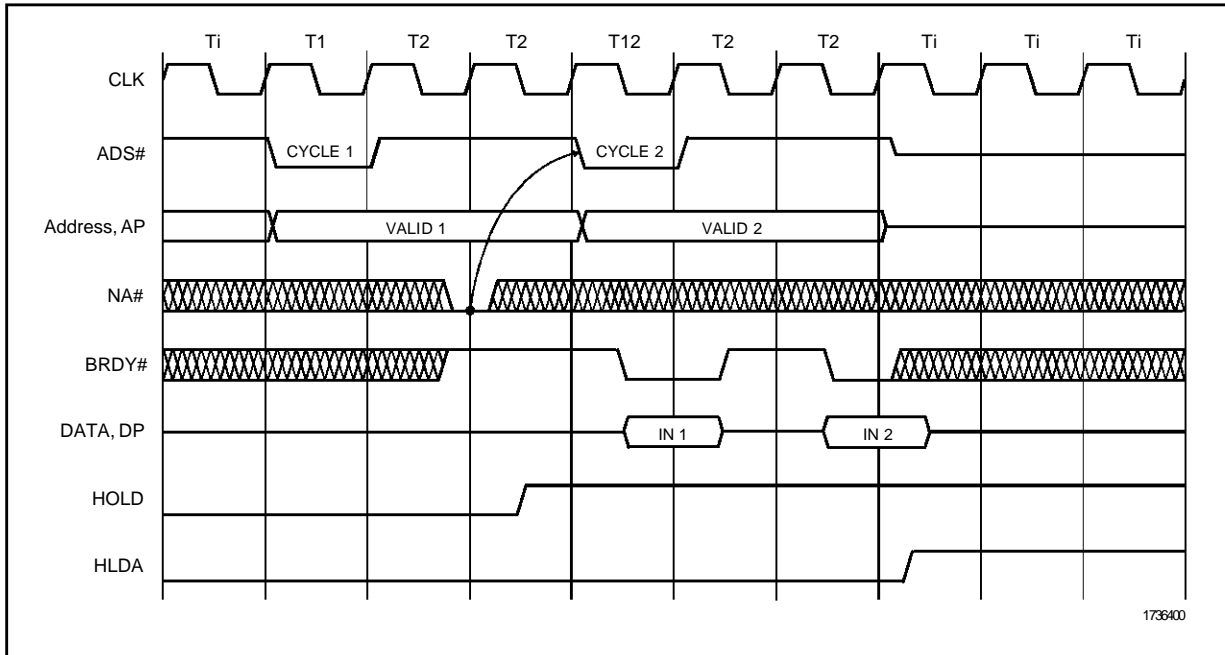


Figure 3.20. Requesting Hold During a Pipelined Bus Cycle



3.3.8.2 Back-Off Timing

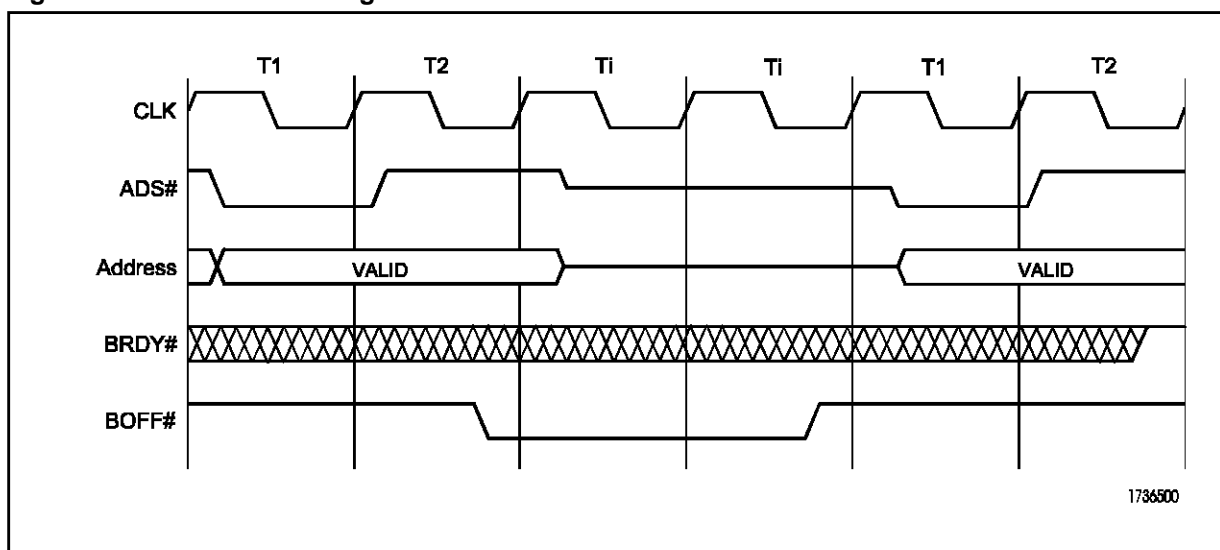
An external bus master requests immediate control of the CPU's bus by asserting the back-off (BOFF#) input. The CPU samples BOFF# at each clock edge and responds by floating the bus in the next clock cycle as shown in Figure 3.21. The CPU remains in the bus hold state until BOFF# is negated.

If the assertion of BOFF# interrupts a bus cycle, the bus cycle is restarted in its entirety following the negation of BOFF#. If KEN# was sampled by

the processor before the cycle was aborted, it must be returned with the same value during the restarted cycle. The state of WB/WT# may be changed during the restarted cycle.

If BOFF# and BRDY# are active at the same clock edge, the CPU ignores BRDY#. Any data returned to the CPU with the BRDY# is also ignored. If BOFF# interrupts a burst read cycle, the CPU does not cache any data returned prior to BOFF#. However, this data may be used for internal CPU execution.

Figure 3.21. Back-Off Timing



3.3.9 Cache Inquiry Cycles

Cache inquiry cycles are issued by the system with the CPU in either a bus hold or address hold state. Bus hold is requested by asserting either HOLD or BOFF#, and address hold is requested by asserting AHOLD. The system initiates the cache inquiry cycle by asserting the EADS# input. The system must also drive the desired inquiry address on the address lines, and a valid state on the INV input.

In response to the cache inquiry cycle, the CPU checks to see if the specified address is present in the internal cache. If the address is present in the cache, the CPU checks the MESI state of the cache line. If the line is in the "exclusive" or "shared" state, the CPU asserts the HIT# output and changes the cache line state to "invalid" if the INV input was sampled logic high with EADS#.

If the line is in the "modified" state, the CPU asserts both HIT# and HITM#. The CPU then issues a bus cycle request to write the modified cache line to external memory. HITM# remains asserted until the write-back bus cycle completes. No additional cache inquiry cycles are accepted while HITM# is asserted. Write-back cycles always start at burst address 0. Once the write-back cycle has completed, the CPU changes the cache line state to "invalid" if the INV input was sampled logic high, or "shared" if the INV input was sampled low.

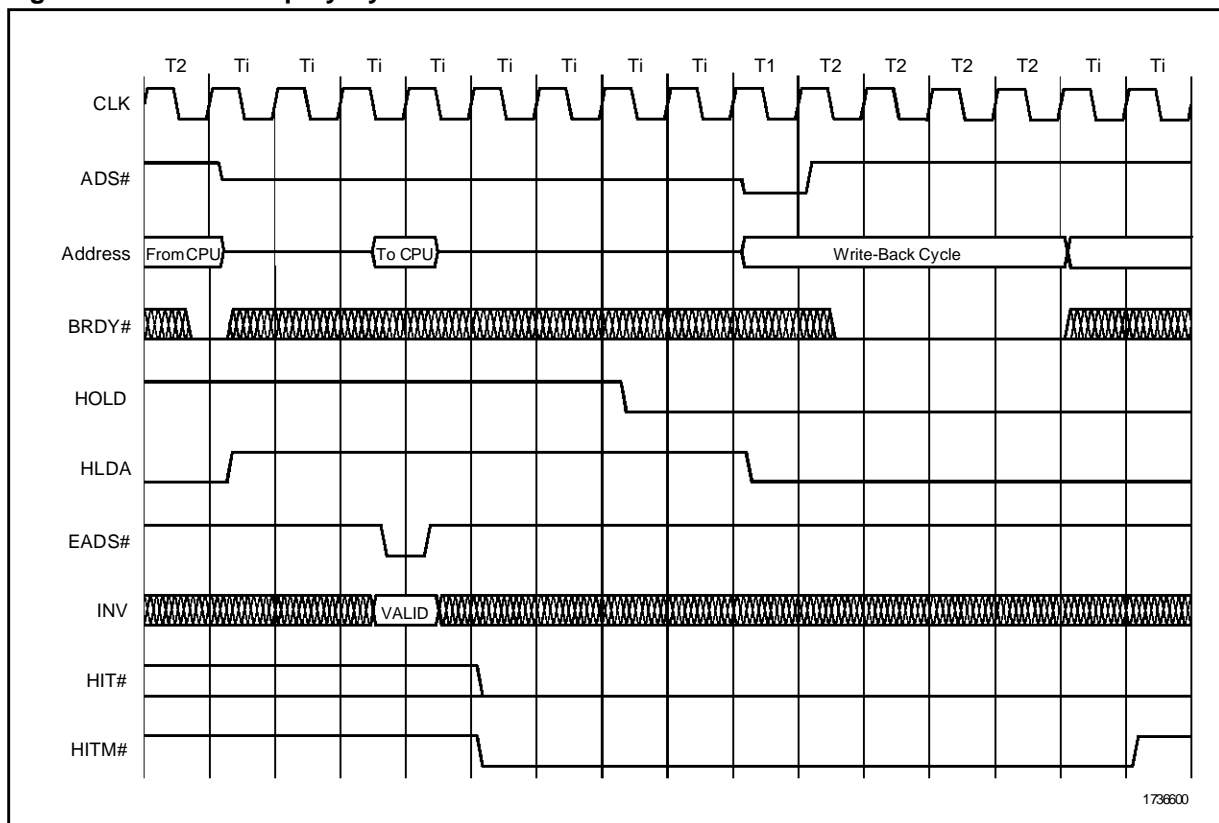
In addition to checking the cache, the CPU also snoops the internal line fill and cache write-back buffers in response to a cache inquiry cycle. The following sections describe the functional timing for cache inquiry cycles and the corresponding write-back cycles for the various types of inquiry cycles.

3.3.9.1 Inquiry Cycles Using HOLD/HLDA

Figure 3.22 illustrates an inquiry cycle where HOLD is used to force the CPU into a bus hold state. In this case, the system asserts HOLD and must wait for the CPU to respond with HLDA before issuing the cache inquiry cycle. To avoid address bus contention, EADS# should not be asserted until the second clock after HLDA as

shown in the diagram. If the inquiry address hits on a modified cache line, HIT# and HITM# are asserted during the second clock following EADS#. Once HITM# asserts, the system must negate HOLD to allow the CPU to run the corresponding write-back cycle. The first cycle issued following negation of HLDA is the write-back bus cycle.

Figure 3.22. HOLD Inquiry Cycle that Hits on a Modified Line

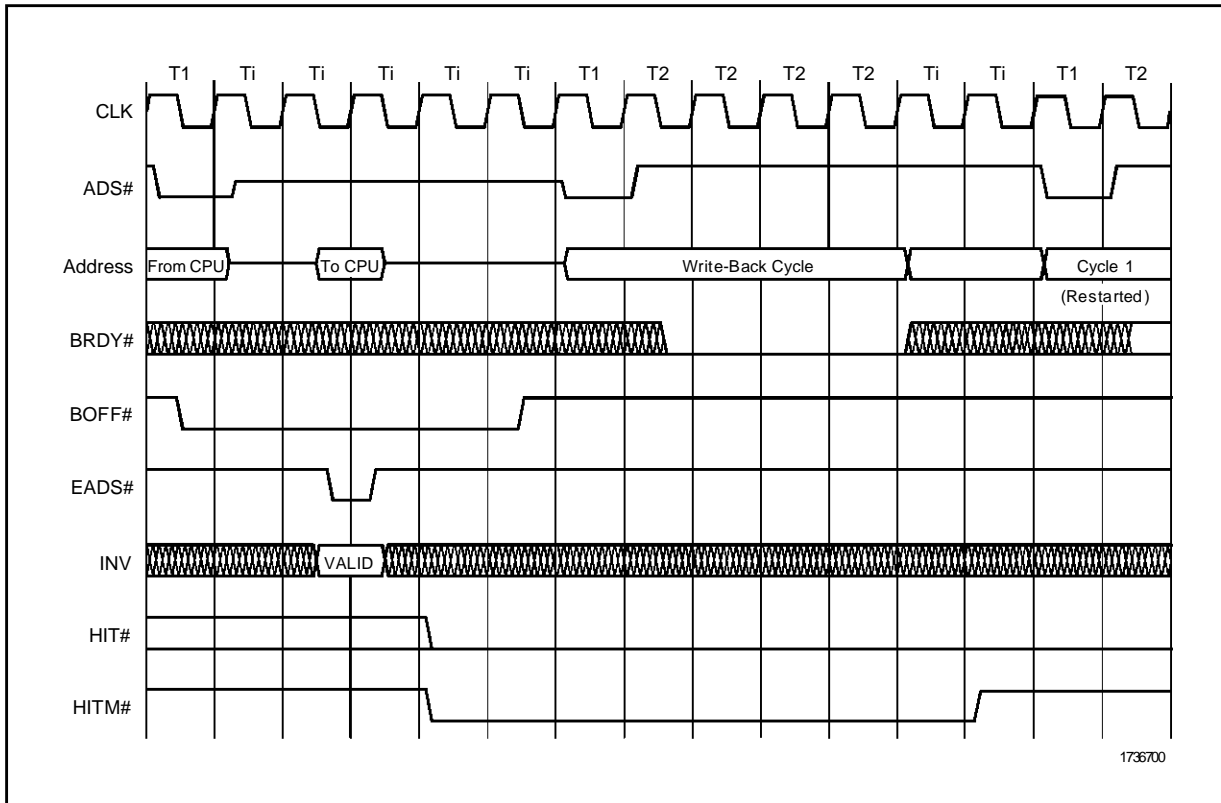


3.3.9.2 Inquiry Cycles Using BOFF#

Figure 3.23 illustrates an inquiry cycle where BOFF# is used to force the CPU into a bus hold state. In this case, the system asserts BOFF# and the CPU immediately relinquishes control of the bus in the next clock. To avoid address bus contention, EADS# should not be asserted until the second clock edge after BOFF# as shown in the

diagram. If the inquiry address hits on a modified cache line, HIT# and HITM# are asserted during the second clock following EADS#. Once HITM# asserts, the system must negate BOFF# to allow the CPU to run the corresponding write-back cycle. The first cycle issued following negation of BOFF# is the write-back bus cycle.

Figure 3.23. BOFF# Inquiry Cycle that Hits on a Modified Line



3.3.9.3 Inquiry Cycles Using AHOLD

Figure 3.24 illustrates an inquiry cycle where AHOLD is used to force the CPU into an address hold state. In this case, the system asserts AHOLD and the CPU immediately floats the address bus in the next clock. To avoid address bus contention, EADS# should not be asserted until the second clock edge after AHOLD as shown in the diagram. If the inquiry address hits

on a modified cache line, the CPU asserts HIT# and HITM# during the second clock following EADS#. The CPU then issues the write-back cycle even if AHOLD remains asserted. ADS# for the write-back cycle asserts two clocks after HITM# is asserted. To prevent the address bus and data bus from switching simultaneously, the system must adhere to the restrictions on negation of AHOLD as shown in Figure 3.24.

Figure 3.24. AHOLD Inquiry Cycle that Hits on a Modified Line

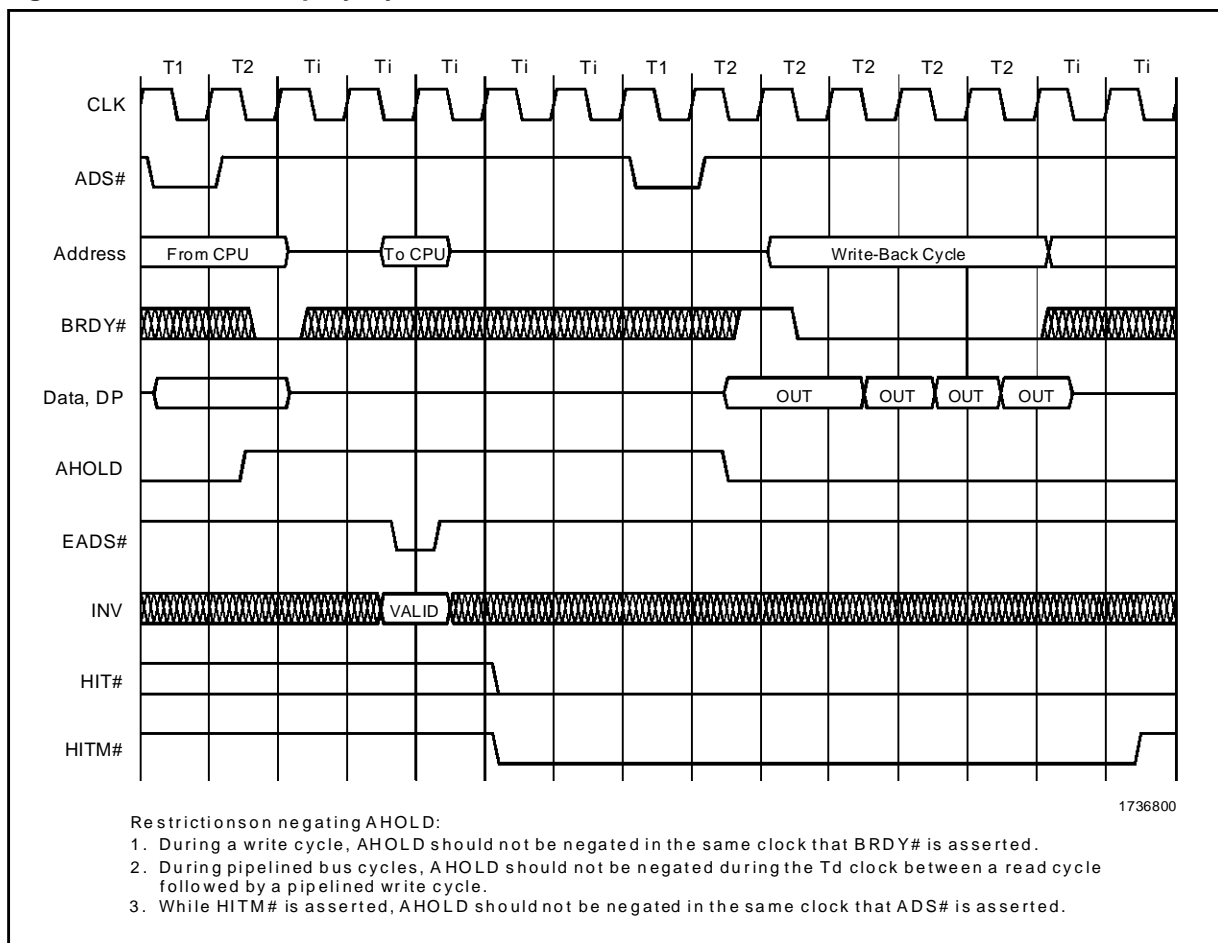
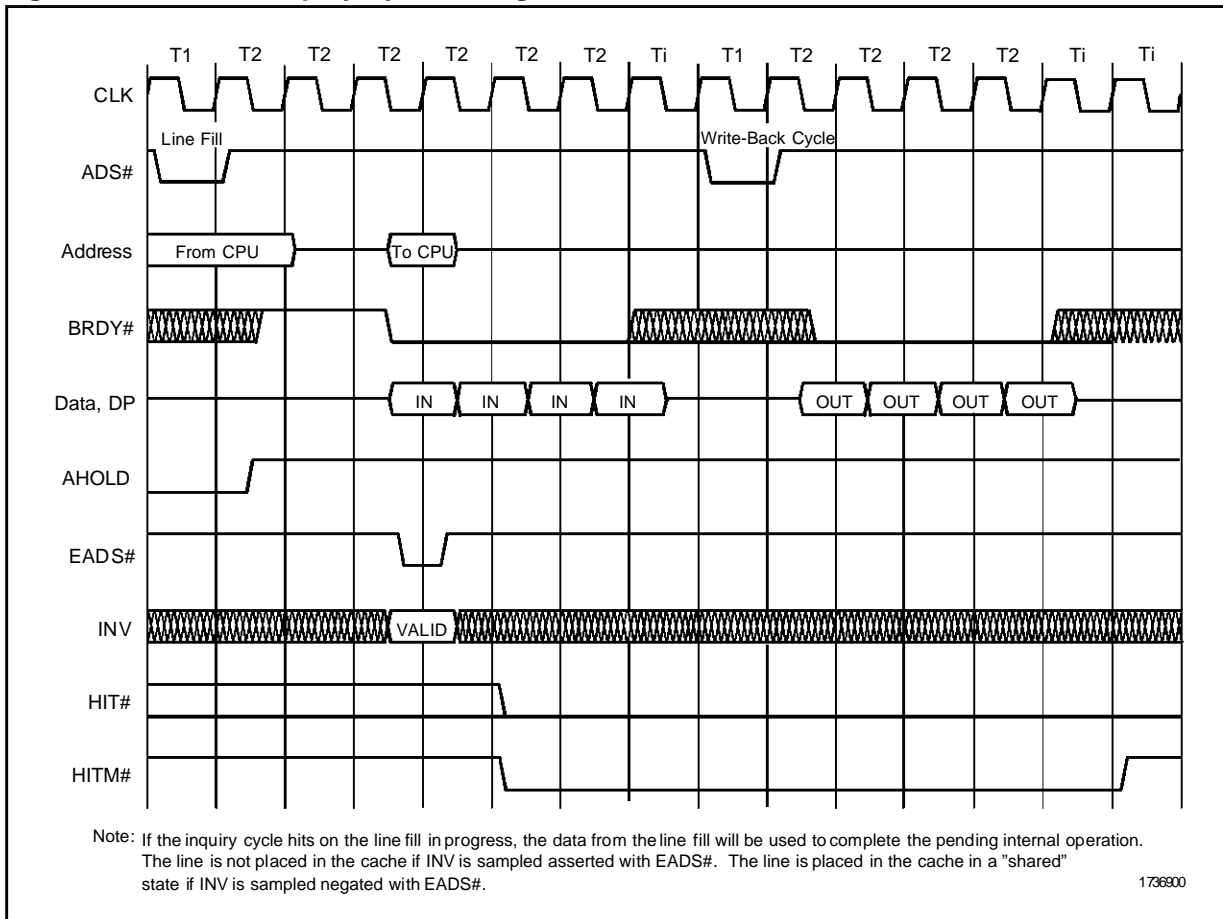


Figure 3.25 depicts an AHOLD inquiry cycle during a line fill. In this case, the write-back cycle occurs after the line fill is completed. At least one idle clock exists between the final BRDY# of the line fill and the ADS# for the write-back cycle. If the inquiry cycle hits on the address of the line fill

that is in progress, the data from the line fill cycle is always used to complete the pending internal operation. However, the data is not placed in the cache if INV is sampled asserted with EADS#. The data is placed in the cache in a "shared" state if INV is sampled negated.

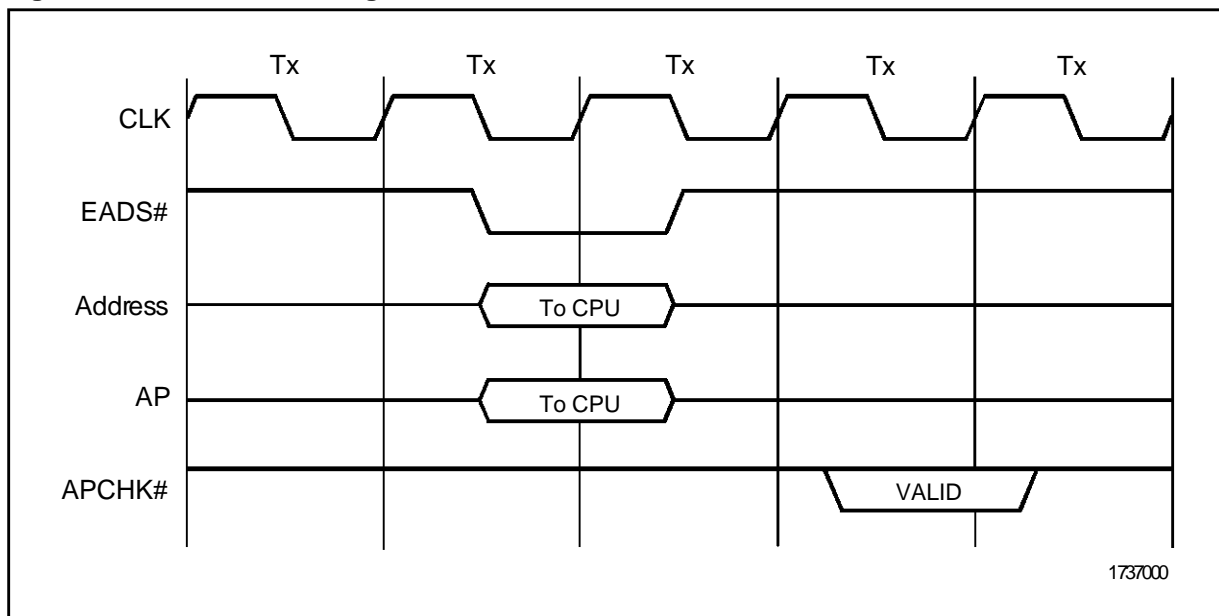
Figure 3.25. AHOLD Inquiry Cycle During a Line Fill



During cache inquiry cycles, the CPU performs address parity checking using A31-A5 and the AP signal. The CPU checks for even parity and

asserts the APCHK# output if a parity error is detected. Figure 3.26 illustrates the functional timing of the APCHK# output.

Figure 3.26. APCHK# Timing



3.3.10 Scatter/Gather Buffer Interface

The scatter/gather buffer interface signals, in conjunction with the byte enables and address hold, can be used by the system hardware to transfer data to/from a 32-bit peripheral interface bus. A 64-bit buffer resides in the CPU to assist the system in these transfers.

As shown in Figure 3.27 when BHOLD is asserted the CPU floats the byte enable outputs (BE7#-BE0#) in the next clock. While BHOLD is asserted, only the byte enables are disabled. The

current bus cycle remains active and can be completed in the normal fashion. The CPU continues to generate additional bus cycles while BHOLD is asserted, so BHOLD should only be asserted while AHOLD is asserted.

Figure 3.27 also illustrates DHOLD timing. DHOLD forces the CPU to float the data and data parity buses in the next clock. While DHOLD is asserted, the current bus cycle remains active and additional bus cycles may be generated by the CPU.

Figure 3.27. BHOLD and DHOLD Timing

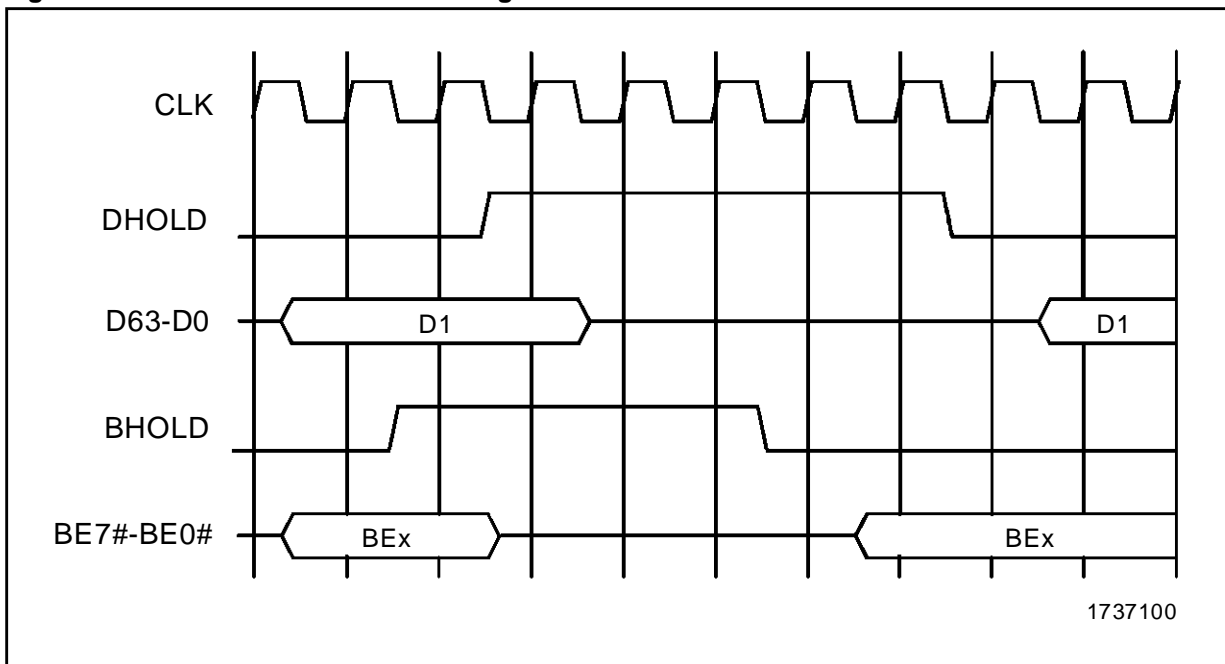


Figure 3.28 and Figure 3.29 illustrate CPU read and write cycles that access a 32-bit device using the scatter/gather buffer.

Figure 3.28. CPU Upper Byte Read from 32-Bit Bus Using Scatter/Gather

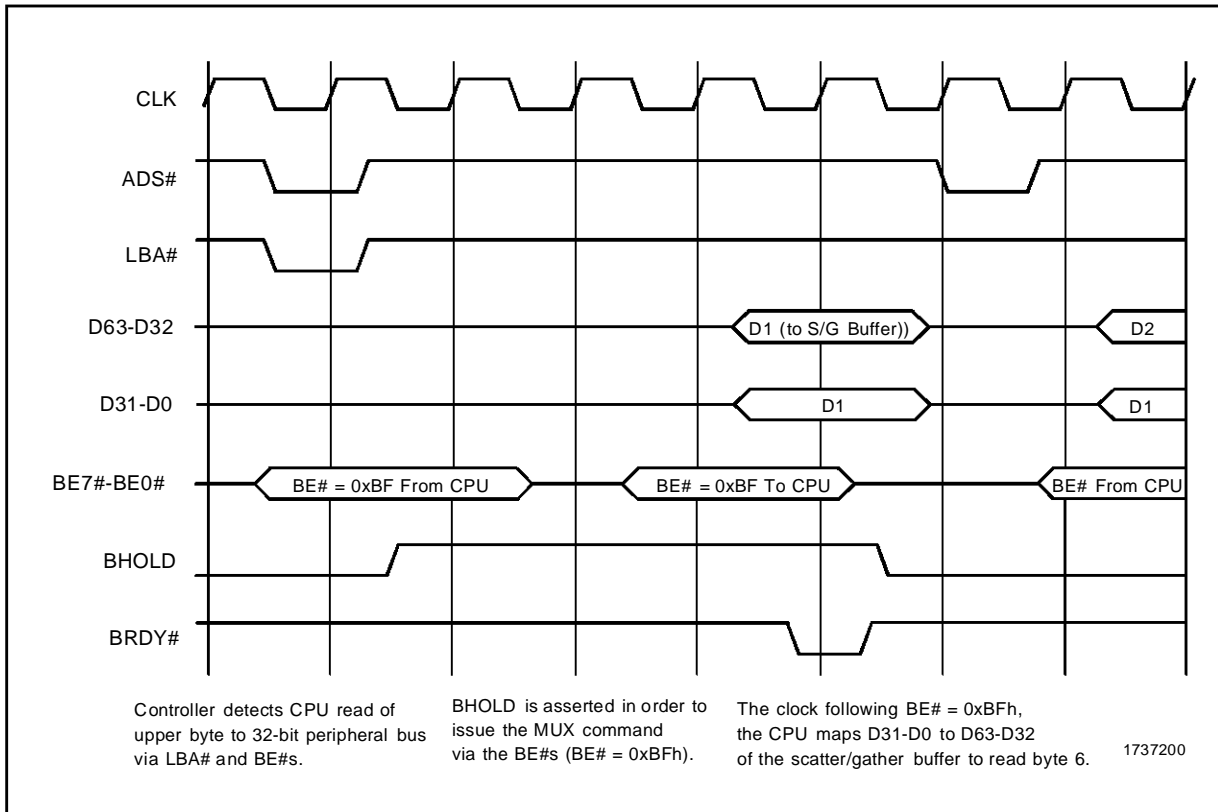
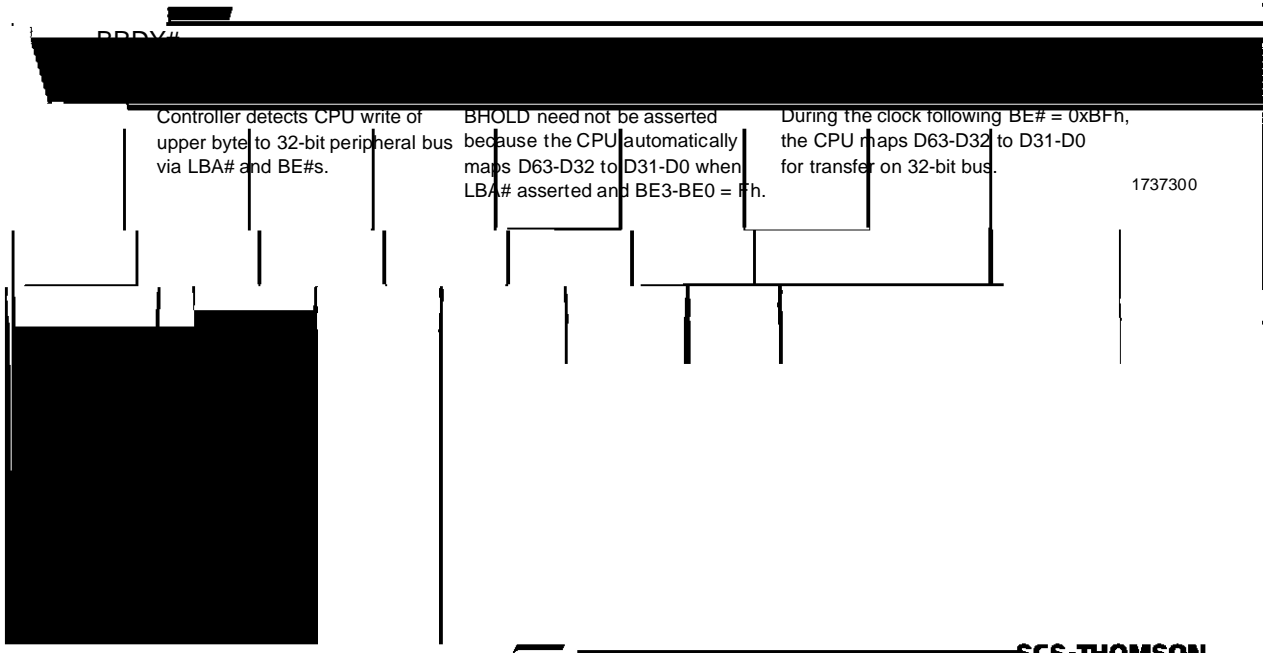
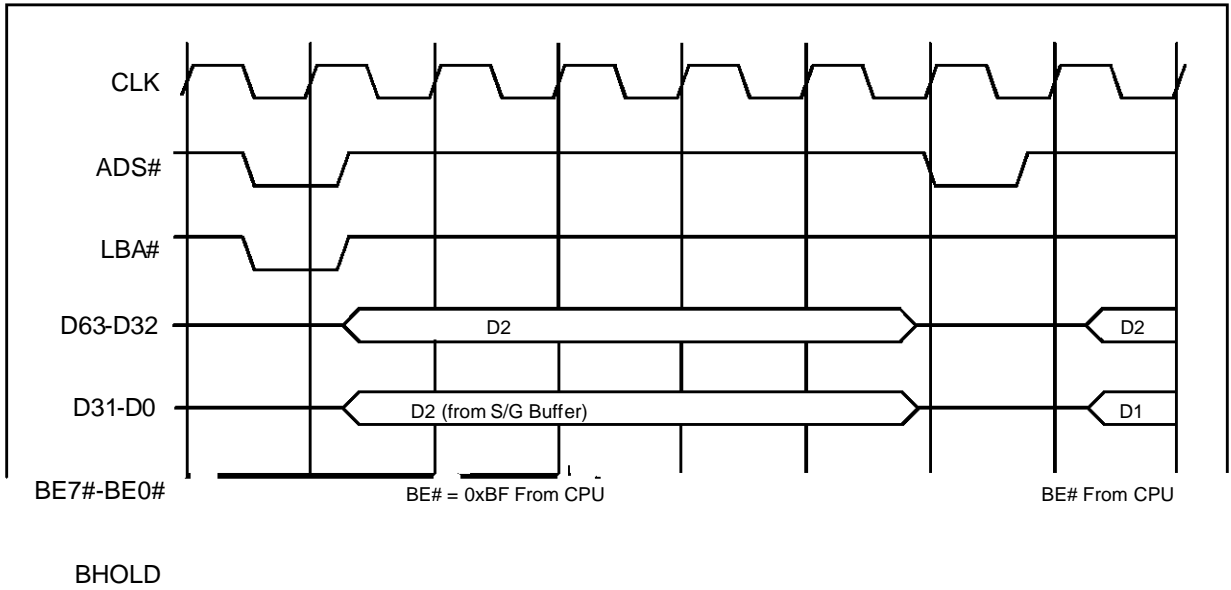


Figure 3.29. CPU Upper Byte Write to 32-Bit Bus Using Scatter/Gather



Figures 3.30 and 3.31 illustrate bus master reads and writes between a 32-bit device and 64-bit main memory. The CPU bus must be idle when a bus master initiates a scatter/gather cycle.

Figure 3.30. Bus Master Read from 64-Bit Memory to 32-Bit Bus

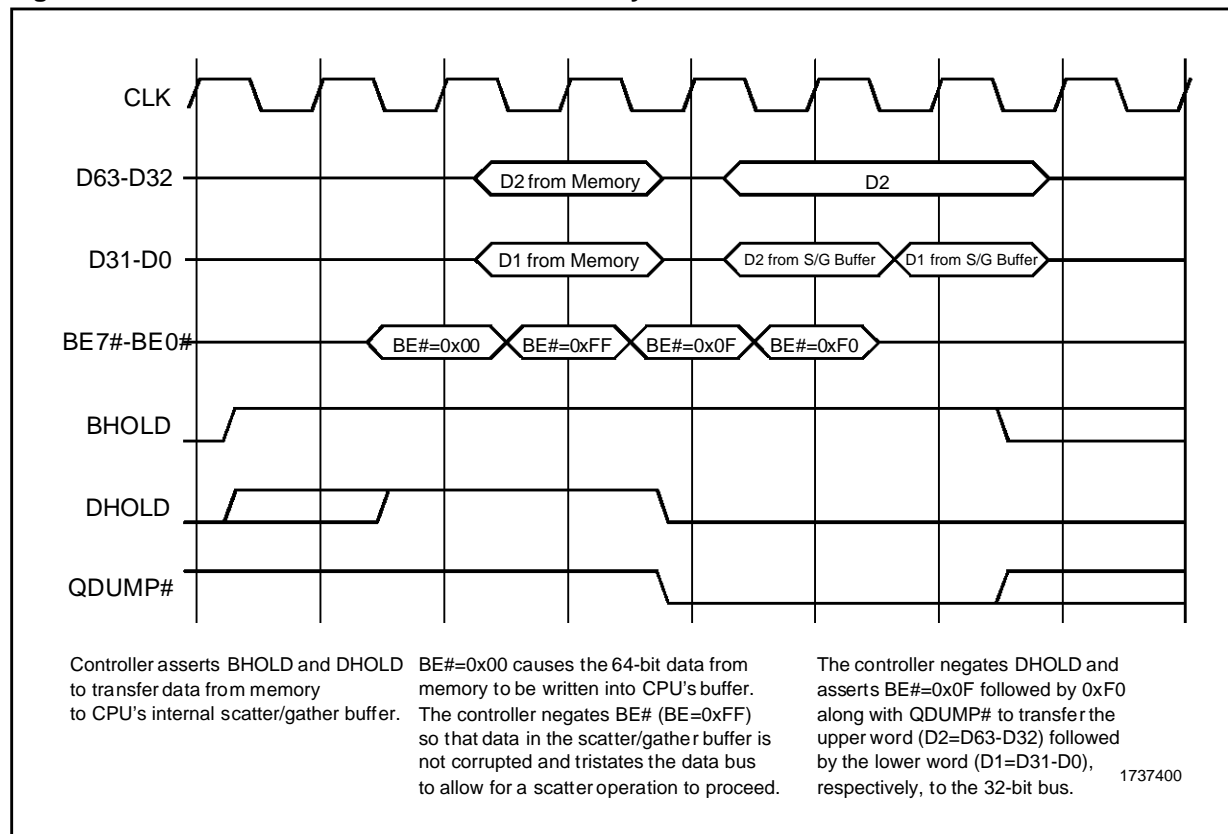
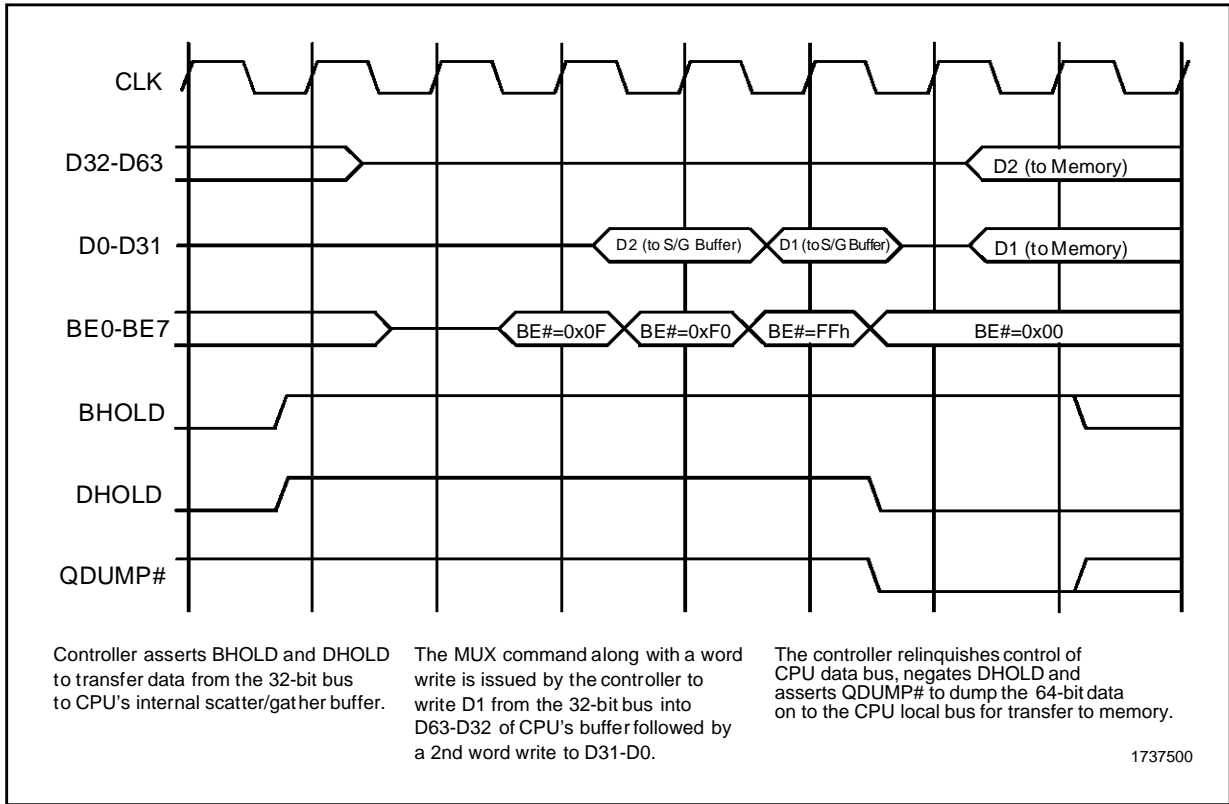


Figure 3.31. Bus Master Write to 64-Bit Memory from 32-Bit Bus



3.3.11 Power Management Interface

SUSP# Initiated Suspend Mode

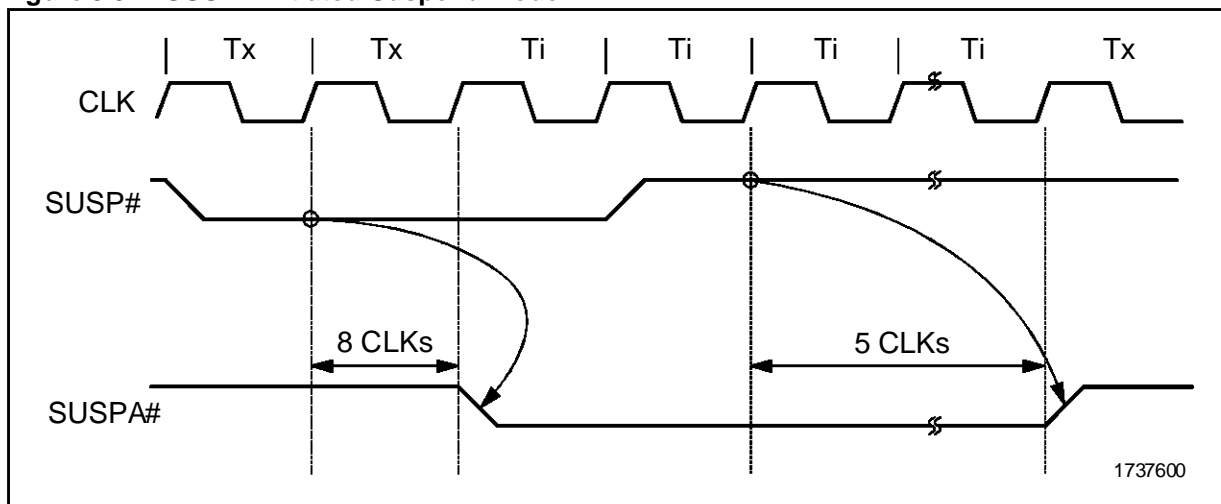
The ST6x86 CPU enters suspend mode when the SUSP# input is asserted and execution of the current instruction, any pending decoded instructions and associated bus cycles are completed. A stop grant bus cycle is then issued and the SUSPA# output is asserted. The CPU responds to SUSP# and asserts SUSPA# only if the SUSP bit is set in the CCR2 configuration register.

SUSP# is sampled (Figure 3.32) on the rising edge of CLK. SUSP# must meet specified setup and hold times to be recognized at a particular CLK edge. The time from assertion of SUSP# to activation of SUSPA# varies depending on which instructions were decoded prior to assertion of

SUSP#. The minimum time from SUSP# sampled active to SUSPA# asserted is eight CLKs. As a maximum, the CPU may execute up to two instructions and associated bus cycles prior to asserting SUSPA#. The time required for the CPU to deactivate SUSPA# once SUSP# has been sampled inactive is five CLKs.

If the CPU is in a hold acknowledge state and SUSP# is asserted, the CPU may or may not enter suspend mode depending on the state of the CPU internal execution pipeline. If the CPU is in a SUSP# initiated suspend mode, one occurrence of NMI, INTR and SMI# is stored for execution once suspend mode is exited. The ST6x86 CPU also recognizes and acknowledges the HOLD, AHOLD, BOFF# and FLUSH# signals while in suspend mode.

Figure 3.32. SUSP# Initiated Suspend Mode

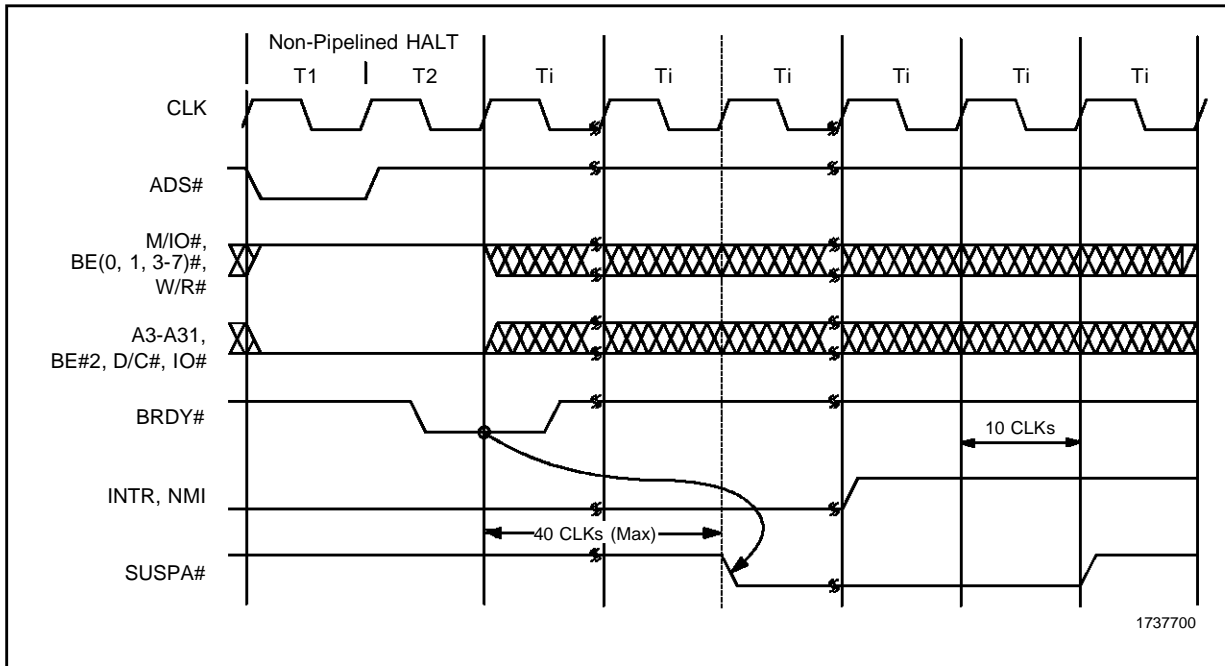


HALT Initiated Suspend Mode

The CPU also enters suspend mode as a result of executing a HALT instruction if the HALT bit in CCR2 is set. The SUSPA# output is asserted no later than 40 CLKs following BRDY# sampled active

for the HALT bus cycle as shown in Figure 3.33. Suspend mode is then exited upon recognition of an NMI, an unmasked INTR or an SMI#. SUSPA# is deactivated 10 CLKs after sampling of an active interrupt.

Figure 3.33. HALT Initiated Suspend Mode



Stopping the Input Clock

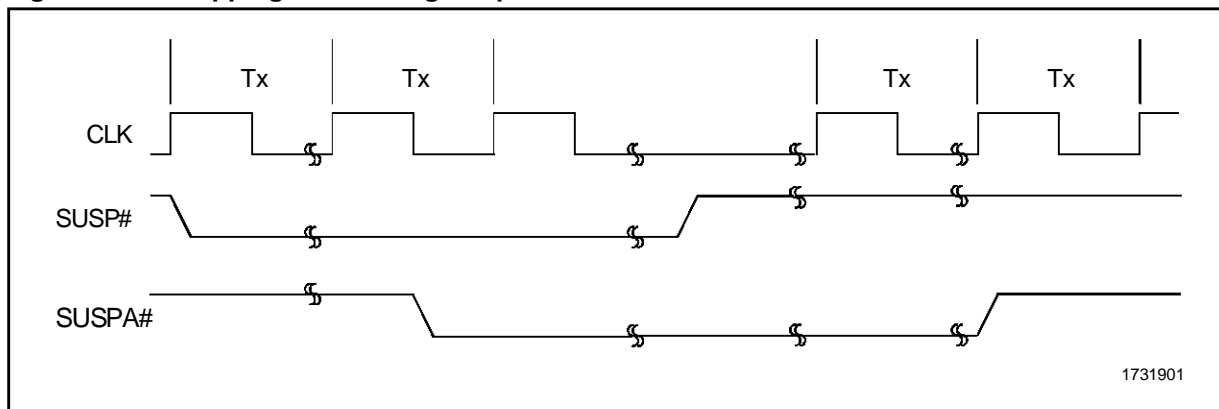
Once the CPU has entered suspend mode, the input clock (CLK) can be stopped and restarted without loss of any internal CPU data. The CLK input can be stopped at either a logic high or logic low state.

The CPU remains suspended until CLK is restarted and suspend mode is exited as described earlier. While the CLK is stopped, the

CPU can no longer sample and respond to any input stimulus.

Figure 3.34 illustrates the recommended sequence for stopping the CLK using SUSP# to initiate suspend mode. CLK may be started prior to or following negation of the SUSP# input. The system must allow sufficient time for the CPU's internal PLL to lock to the desired frequency before exiting suspend mode.

Figure 3.34. Stopping CLK During Suspend Mode



4.0 ELECTRICAL SPECIFICATIONS

4.1 Electrical Connections

This section provides information on electrical connections, absolute maximum ratings, recommended operating conditions, DC characteristics, and AC characteristics. All voltage values in Electrical Specifications are measured with respect to V_{SS} unless otherwise noted.

4.1.1 Power and Ground Connections and Decoupling

Testing and operating the ST6x86 CPU requires the use of standard high frequency techniques to reduce parasitic effects. The high clock frequencies used in the ST6x86 CPU and its output buffer circuits can cause transient power surges when several output buffers switch output levels simultaneously. These effects can be minimized by filtering the DC power leads with low-inductance decoupling capacitors, using low impedance wiring, and by utilizing all of the V_{CC} and GND pins. The ST6x86 CPU contains 296 pins with 53 pins connected to V_{CC} and 53 connected to V_{SS} (ground).

4.1.2 Pull-Up/Pull-Down Resistors

Table 4.1 lists the input pins that are internally connected to pull-up and pull-down resistors. The pull-up resistors are connected to V_{CC} and the pull-down resistors are connected to V_{SS} . When unused, these inputs do not require connection to external pull-up or pull-down resistors. The SUSP# pin is unique in that it is connected to a pull-up resistor only when SUSP# is not asserted.

Table 4.1. Pins Connected to Internal Pull-Up and Pull Down Resistors

SIGNAL	PIN NO.	RESISTOR
BRDYC#	Y3	20-k Ω pull-up
CLKMUL	Y33	20-k Ω pull-down
QDUMP#	AL7	20-k Ω pull-up
SMI#	AB34	
SUSP#	Y34	20-k Ω pull-up (see text)
TCK	M34	20-k Ω pull-up
TDI	N35	
TMS	P34	
TRST#	Q33	
Reserved	J33	
Reserved	W35	
Reserved	Y35	
Reserved	AN35	20-k Ω pull-down

4.1.3 Unused Input Pins

All inputs not used by the system designer and not listed in Table 4.1 should be connected either to ground or to V_{CC} . Connect active-high inputs to ground through a 20 k Ω ($\pm 10\%$) pull-down resistor and active-low inputs to V_{CC} through a 20 k Ω ($\pm 10\%$) pull-up resistor to prevent possible spurious operation.

4.1.4 NC and Reserved Pins

Pins designated NC have no internal connections. Pins designated RESV or RESERVED should be left disconnected. Connecting a reserved pin to a pull-up resistor, pull-down resistor, or an active signal could cause unexpected results and possible circuit malfunctions.

4.2 Absolute Maximum Ratings

The following table lists absolute maximum ratings for the ST6x86 CPU microprocessors. Stresses beyond those listed under Table 4.2 limits may cause permanent damage to the device. These are stress ratings only and do not imply that operation under any conditions other than those listed under "Recommended Operating Conditions" Table 4.3 is possible. Exposure to conditions beyond Table 4.2 may (1) reduce device reliability and (2) result in premature failure even when there is no immediately apparent sign of failure. Prolonged exposure to conditions at or near the absolute maximum ratings may also result in reduced useful life and reliability.

Table 4.2. Absolute Maximum Ratings

PARAMETER	MIN	MAX	UNITS	NOTES
Operating Case Temperature	-65	110	$^{\circ}\text{C}$	Power Applied
Storage Temperature	-66	150	$^{\circ}\text{C}$	
Supply Voltage, V_{CC}	-0.5	4.0	V	
Voltage On Any Pin	-0.5	$V_{CC} + 0.5$	V	
Input Clamp Current, I_{IK}		10	mA	Power Applied
Output Clamp Current, I_{OK}		25	mA	Power Applied

4.3 Recommended Operating Conditions

Table 4.3 presents the recommended operating conditions for the ST6x86 CPU device.

Table 4.3. Recommended Operating Conditions

PARAMETER	MIN	MAX	UNITS	NOTES
T _C Operating Case Temperature	0	70	°C	Power Applied
V _{CC} Supply Voltage	3.15	3.7	V	
V _{IH} High-Level Input Voltage	2.0	5.5	V	
V _{IL} Low-Level Input Voltage	-0.3	0.8	V	
I _{OH} High-Level Output Current All outputs except A20-A3 and W/R# A20-A3 and W/R#		-1.0 -2.0	mA	V _O =V _{OH(MIN)}
I _{OL} Low-Level Output Current All outputs except A20-A3 and W/R# A20-A3 and W/R#		5.0 10.0	mA	V _O =V _{OL(MAX)}

4.4 DC Characteristics

Table 4.4. DC Characteristics (at Recommended Operating Conditions)

PARAMETER	MIN	TYP	MAX	UNITS	NOTES
V_{OL} Output Low Voltage $I_{OL} = 5 \text{ mA}$			0.4	V	
V_{OH} Output High Voltage $I_{OH} = -1 \text{ mA}$	2.4			V	
I_I Input Leakage Current For all pins except those listed in Table 4-1.			± 15	μA	$0 < V_{IN} < V_{CC}$
I_{IH} Input Leakage Current For all pins with internal pull-downs.			200	μA	$V_{IH} = 2.4 \text{ V}$ See Table 4-1.
I_{IL} Input Leakage Current For all pins with internal pull-ups.			-400	μA	$V_{IL} = 0.45 \text{ V}$ See Table 4-1.
I_{CC} Active I_{CC} 80 MHz 100 MHz 110 MHz 120 MHz 133 MHz		3.9 4.5 4.8 5.1 5.5	4.7 5.4 5.8 6.1 6.6	A	Note 1, 5
I_{CCSM} Suspend Mode I_{CC} 80 MHz 100 MHz 110 MHz 120 MHz 133 MHz		43 48 50 51 54	75 80 83 105 115	mA	Note 1, 3, 5
I_{CCSS} Standby I_{CC} 0 MHz (Suspended/CLK Stopped)		35	75	mA	Note 4,5
C_{IN} Input Capacitance			15	pF	$f = 1 \text{ MHz}$, Note 2
C_{OUT} Output Capacitance			20	pF	$f = 1 \text{ MHz}$, Note 2
C_{IO} I/O Capacitance			25	pF	$f = 1 \text{ MHz}$, Note 2
C_{CLK} CLK Capacitance			15	pF	$f = 1 \text{ MHz}$, Note 2

Notes:

1. Frequency (MHz) ratings refer to the internal clock frequency.
2. Not 100% tested.
3. All inputs at 0.4 or $V_{CC} - 0.4$ (CMOS levels). All inputs held static except clock and all outputs unloaded (static $I_{OUT} = 0 \text{ mA}$).
4. All inputs at 0.4 or $V_{CC} - 0.4$ (CMOS levels). All inputs held static and all outputs unloaded (static $I_{OUT} = 0 \text{ mA}$).
5. Typical, measured at $V_{CC} = 3.3 \text{ V}$

4.5 AC Characteristics

Tables 4-6 through 4-11 list the AC characteristics including output delays, input setup requirements, input hold requirements and output float delays. These measurements are based on the measurement points identified in Figure 4.1 and Figure 4.2. The rising clock edge reference level V_{REF} and other reference levels are shown in Table 4.5. Input or output signals must cross these levels during testing.

Figure 4.1 shows output delay (A and B) and input setup and hold times (C and D). Input setup and hold times (C and D) are specified minimums, defining the smallest acceptable sampling window a synchronous input signal must be stable for correct operation.

Figure 4.1. Drive Level and Measurement Points for Switching Characteristics

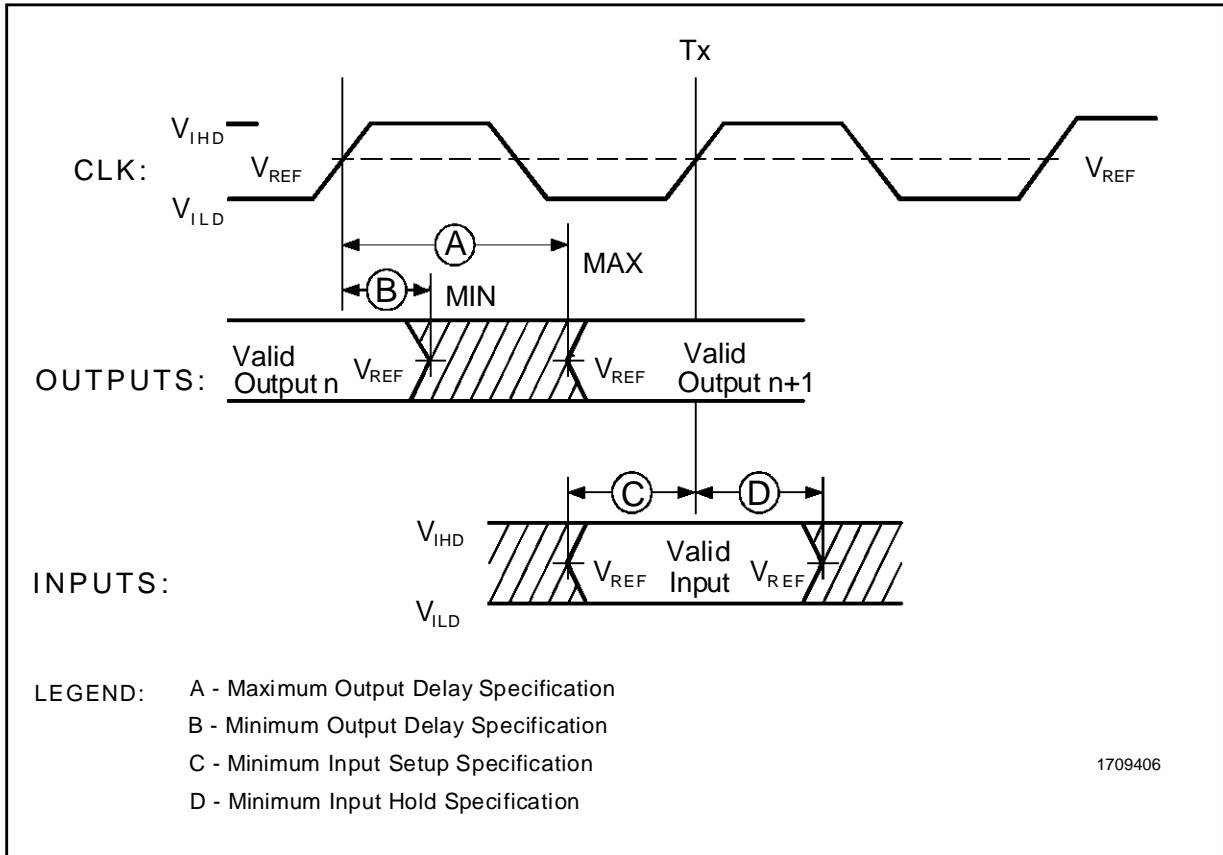


Table 4.5. Drive Level and Measurement Points for Switching Characteristics

SYMBOL	VOLTAGE (Volts)
V_{REF}	1.5
V_{IHD}	2.3
V_{ILD}	0

Note: Refer to Figure 4-1.

Table 4.6. Clock Specifications $T_{\text{case}} = 0^{\circ}\text{C}$ to 70°C , See Figure 4.2

SYMBOL	PARAMETER	40-MHz BUS		50-MHz BUS		55-MHz BUS		60-MHz BUS		66-MHz BUS		UNITS
		MIN	MAX	MIN	MAX	MIN	MAX	MIN	MAX	MIN	MAX	
	CLK Frequency		40		50		55		60		66.6	MHz
T1	CLK Period	25		20		18		16.67	33.33	15.0	30.0	ns
T2	CLK Period Stability		± 250		± 250		± 250		± 250		± 250	ps
T3	CLK High Time	9		7		4.0		4.0		4.0		ns
T4	CLK Low Time	9		7		4.0		4.0		4.0		ns
T5	CLK Fall Time	0.15	2	0.15	2	0.15	1.5	0.15	1.5	0.15	1.5	ns
T6	CLK Rise Time	0.15	2	0.15	2	0.15	1.5	0.15	1.5	0.15	1.5	ns

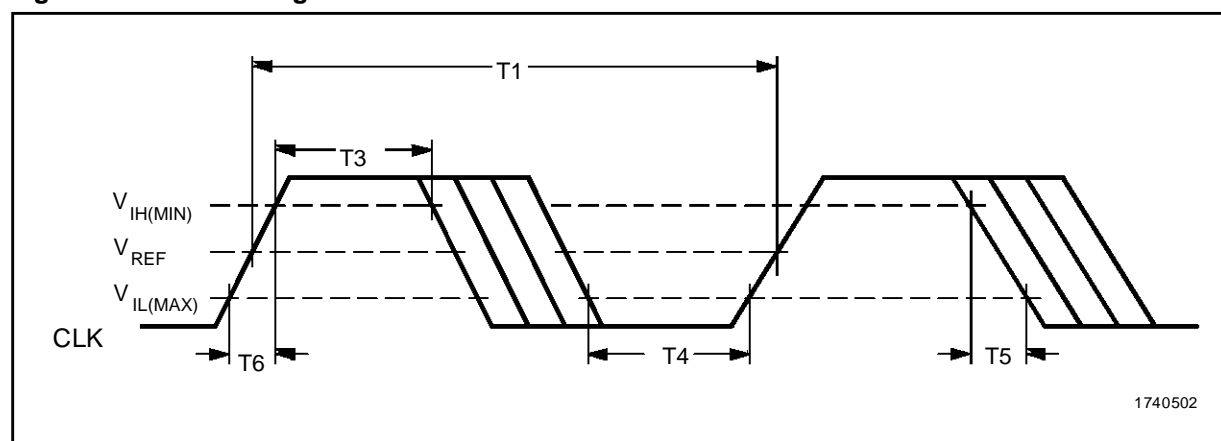
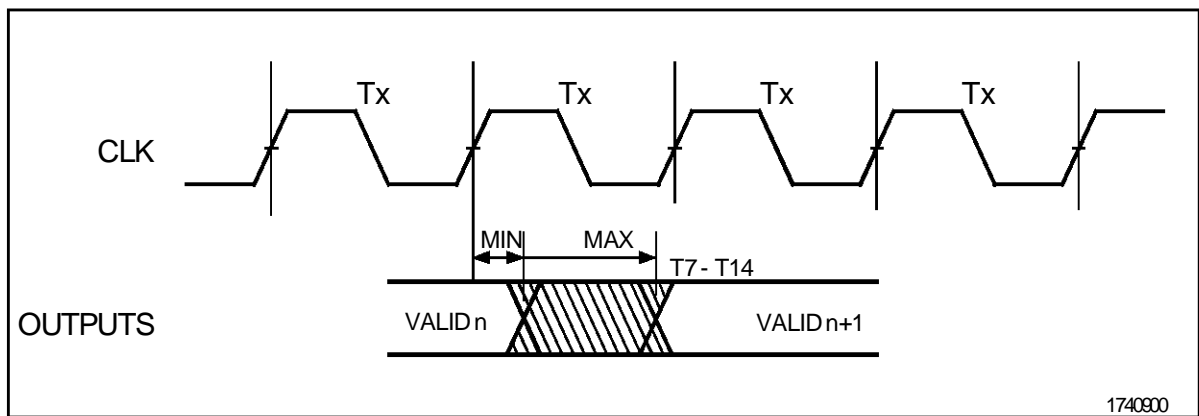
Figure 4.2. CLK Timing and Measurement Points

Table 4.7. Output Valid Delays

$C_L=50\text{ pF}$, $T_{\text{case}} = 0^\circ\text{C to }70^\circ\text{C}$, See Figure 4.3

SYM-BOL	PARAMETER	40-MHz BUS		50-MHz BUS		55-MHz BUS		60-MHz BUS		66-MHz BUS		UNITS
		MIN	MAX	MIN	MAX	MIN	MAX	MIN	MAX	MIN	MAX	
T7	A31-A3, BE7#-BE0#, CACHE#, D/C#, LBA#, LOCK#, PCD, PWT, SCYC, SMIACT#, W/R#	3	14	1.0	12	1.0	7.0	1.0	8.0	1.0	7.0	ns
T7b	ADS#, M/IO#	3	14	1.0	12	1.0	7.5	1.0	7.5	1.0	6.0	ns
T8	ADSC#	3	14	1.0	12	1.0	7.0	1.0	8.0	1.0	7.0	ns
T9	AP	3	14	1.0	12	1.0	8.5	1.0	8.5	1.0	8.5	ns
T10	APCHK#, PCHK#, FERR#	3	16	1.0	14	1.0	8.3	1.0	7.0	1.0	7.0	ns
T11	D63-D0, DP7-DP0 (Write)	3	14	1.3	12	1.3	9.0	1.3	9.0	1.3	7.5	ns
T12a	HIT#	3	14	1.0	12	1.0	8.0	1.0	8.0	1.0	8.0	ns
T12b	HITM#	3	14	1.1	12	1.1	7.0	1.1	7.0	1.1	6.0	ns
T13	BREQ, HLDA	3	14	1.0	12	1.0	8.0	1.0	8.0	1.0	8.0	ns
T14	SUSPA#	3	16	1.0	14	1.0	8.0	1.0	8.0	1.0	8.0	ns

Figure 4.3. Output Valid Delay Timing



1740900

Table 4.8. Output Float Delays $C_L=50$ pF_{case} = 0°C to 70°C, See Figure 4.4

SYMBOL	PARAMETER	40-MHz BUS		50-MHz BUS		55-MHz BUS		60-MHz BUS		66-MHz BUS		UNITS
		MIN	MAX	MIN	MAX	MIN	MAX	MIN	MAX	MIN	MAX	
T15	A31-A3,ADS#, BE7#-BE0#, BREQ,CACHE#, D/C#,LBA#, LOCK#,M/IO#, PCD,PWT, SCYC,SMIACT#, W/R#		19		16		10.0		10.0		10.0	ns
T16	AP		19		16		10.0		10.0		10.0	ns
T17	D63-D0,DP7-DP0 (Write)		19		16		10.0		10.0		10.0	ns

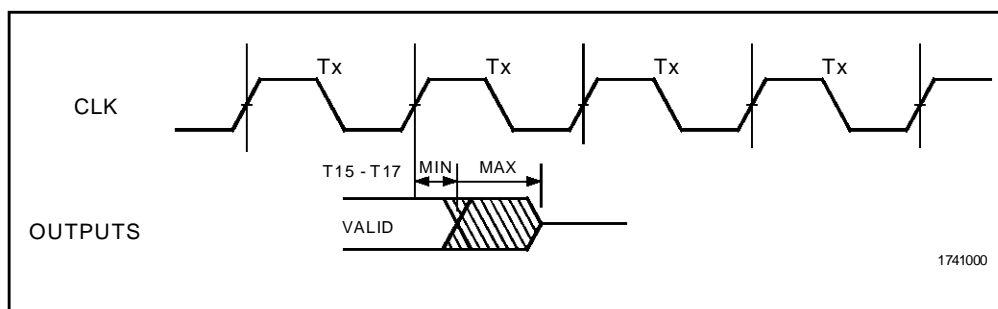
Figure 4.4. Output Float Delay Timing

Table 4.9. Input Setup Times

T_{case} = 0 °C to 70 °C, See Figure 4.5

SYMBOL	PARAMETER	40-MHz BUS	50-MHz BUS	55-MHz BUS	60-MHz BUS	66-MHz BUS	UNITS
		MIN	MIN	MIN	MIN	MIN	
T18	A20M#, FLUSH#, IGNNE#, SUSP#	5.0	5.0	5.0	5.0	5.0	ns
T19	AHOLD, BHOLD, BOFF#, DHOLD, HOLD	5.0	5.0	5.0	5.0	5.0	ns
T20	BRDY#	5.0	5.0	5.0	5.0	5.0	ns
T21	BRDYC#	5.0	5.0	5.0	5.0	5.0	ns
T22	A31-A3, AP, BE7#-BE0#,	5.0	5.0	5.0	5.0	5.0	ns
T22a	D63-D0(Read),DP7-DP0 (Read)	3.8	3.8	3.8	3.0	3.0	ns
T23	EADS#, INV	5.0	5.0	5.0	5.0	5.0	ns
T24	INTR, NMI, RESET, SMI#, WM_RST	5.0	5.0	5.0	5.0	5.0	ns
T25	EWBE#,KEN#,NA#, WB/WT#	5.0	5.0	4.5	4.5	4.5	ns
T26	QDUMP#	5.0	5.0	5.0	5.0	5.0	ns

Table 4.10. Input Hold Times

T_{case} = 0 °C to 70 °C, See Figure 4.5

SYMBOL	PARAMETER	40-MHz BUS	50-MHz BUS	55-MHz BUS	60-MHz BUS	66-MHz BUS	UNITS
		MIN	MIN	MIN	MIN	MIN	
T27	A20M#,FLUSH#,IGNNE#, SUSP#	3.0	2.0	1.0	1.0	1.0	ns
T28	AHOLD,BHOLD,BOFF#, DHOLD, HOLD	3.0	2.0	1.0	1.0	1.0	ns
T29	BRDY#	3.0	2.0	1.0	1.0	1.0	ns
T30	BRDYC#	3.0	2.0	1.0	1.0	1.0	ns
T31a	A31-A3,AP, BE7#-BE0#	3.0	2.0	1.0	1.0	1.0	ns
T31b	D63-D0,DP7-DP0(Read)	3.0	2.0	2.0	2.0	2.0	ns
T32	EADS#, INV	3.0	2.0	1.0	1.0	1.0	ns
T33	INTR,NMI,RESET,SMI#, WM_RST	3.0	2.0	1.0	1.0	1.0	ns
T34	EWBE#,KEN#,NA#,WB/WT#	3.0	2.0	1.0	1.0	1.0	ns
T35	QDUMP#	3.0	2.0	1.0	1.0	1.0	ns

Figure 4.5. Input Setup and Hold Timing

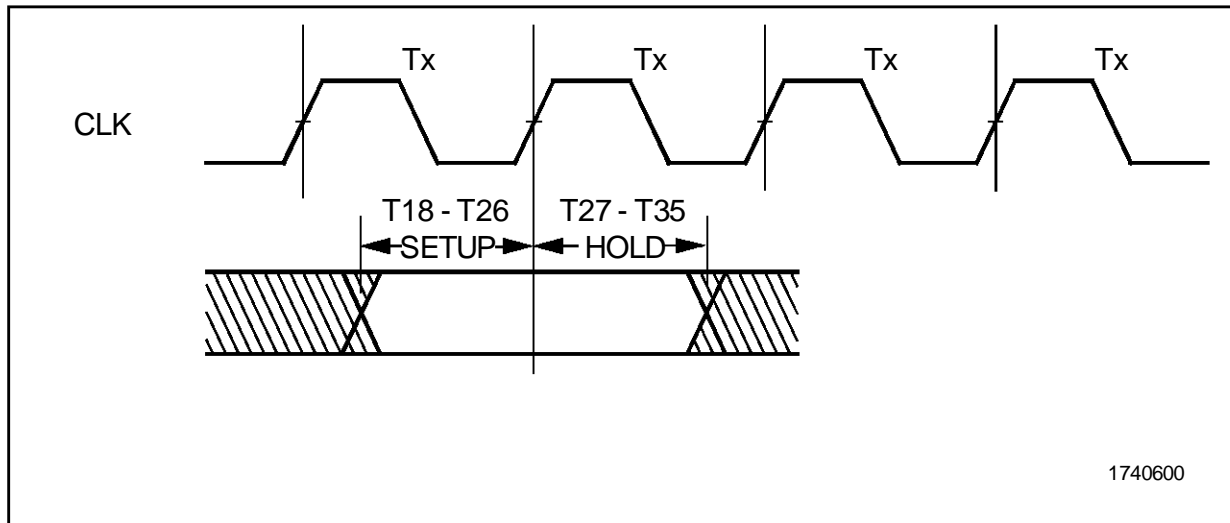


Table 4.11. JTAG AC Specifications

SYMBOL	PARAMETER	ALL BUS FREQUENCIES		UNITS	FIGURE
		MIN	MAX		
	TCK Frequency (MHz)		20	ns	
T36	TCK Period	50		ns	4-6
T37	TCK High Time	25		ns	4-6
T38	TCK Low Time	25		ns	4-6
T39	TCK Rise Time		5	ns	4-6
T40	TCK Fall Time		5	ns	4-6
T41	TDO Valid Delay	3	20	ns	4-7
T42	Non-test Outputs Valid Delay	3	20	ns	4-7
T43	TDO Float Delay		25	ns	4-7
T44	Non-test Outputs Float Delay		25	ns	4-7
T45	TRST# Pulse Width	40		ns	4-8
T46	TDI, TMS Setup Time	20		ns	4-7
T47	Non-test Inputs Setup Time	20		ns	4-7
T48	TDI, TMS Hold Time	13		ns	4-7
T49	Non-test Inputs Hold Time	13		ns	4-7

Figure 4.6. TCK Timing and Measurement Points

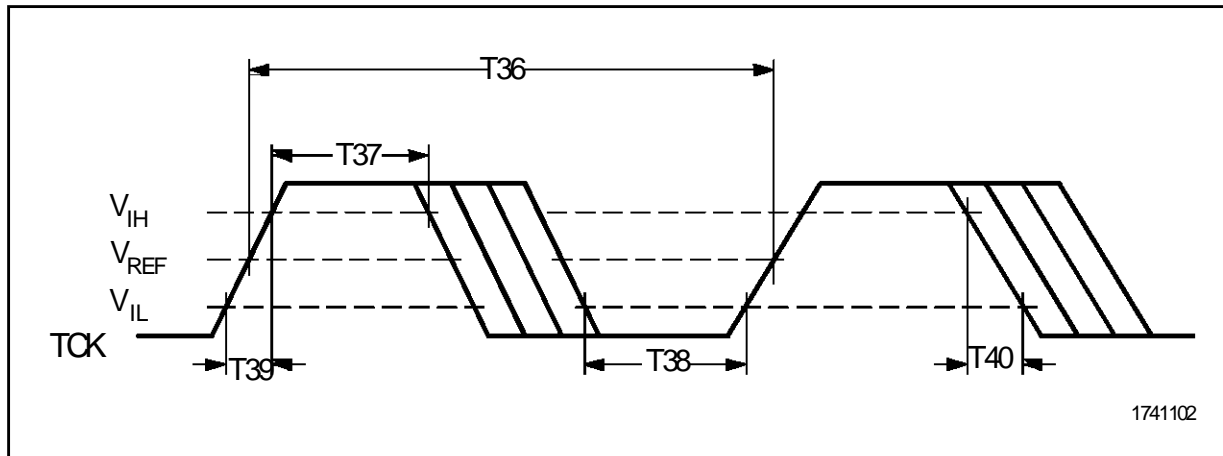


Figure 4.7. JTAG Test Timings

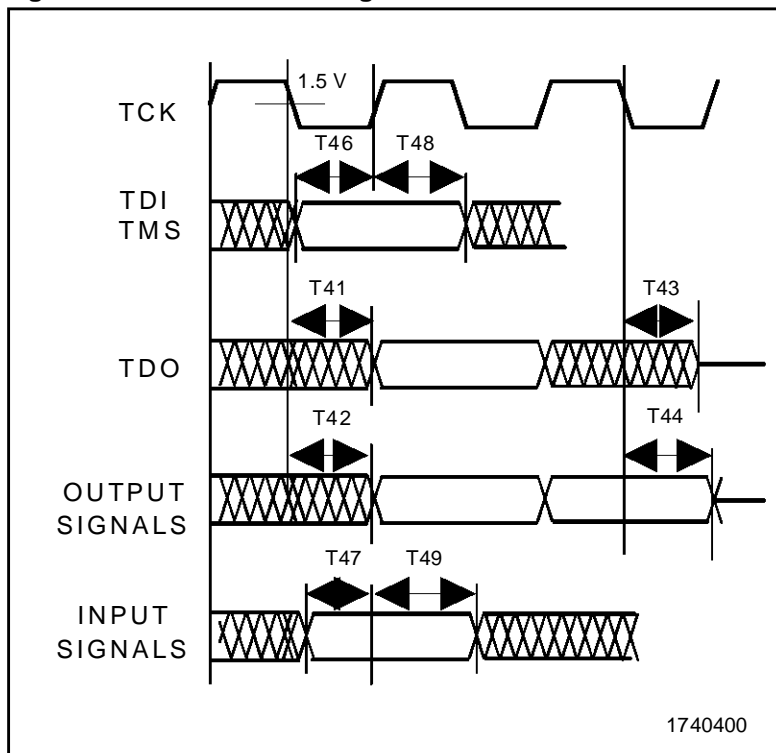
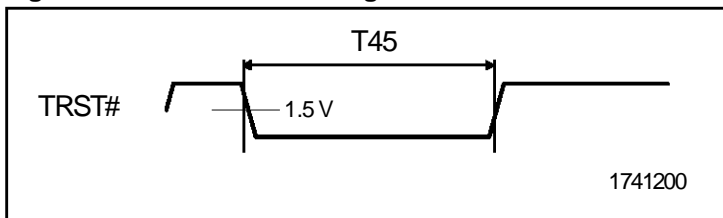


Figure 4.8. Test Reset Timing



5.0 MECHANICAL SPECIFICATIONS

5.1 296-Pin SPGA Package

The pin assignments for the 6x86 CPU in a 296-pin SPGA package are shown in Figure 5.1. The pins

are listed by signal name in Table 5.1 (Page 2) and by pin number in Table 5.2 (Page 3). Dimensions are shown in Table 5.2 (Page 3) and Table 5.3 (Page 5).

Figure 5.1. 296-Pin SPGA Package Pin Assignments

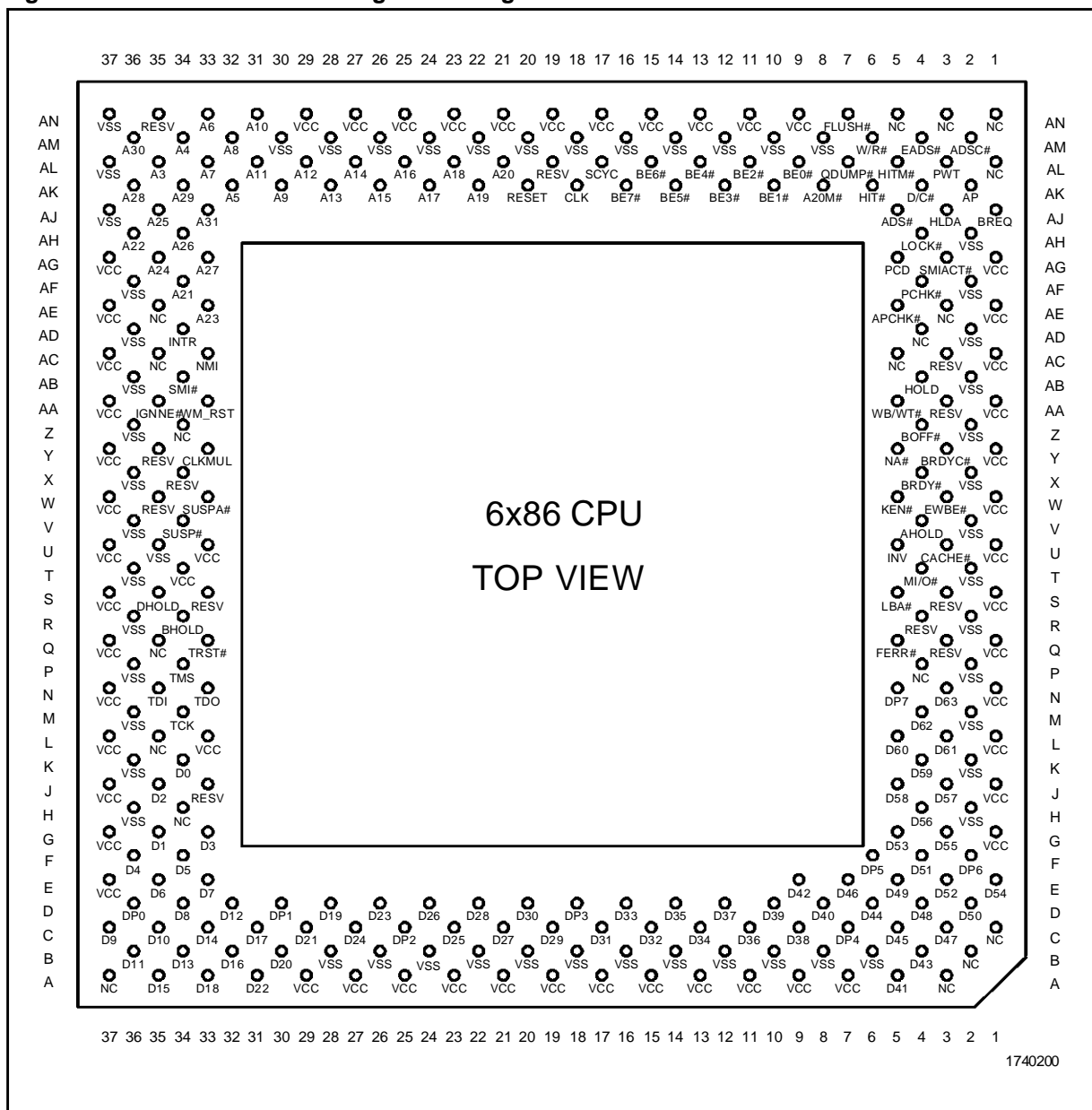


Table 5.1. 296-Pin SPGA Package Signal Names Sorted by Pin Number

Pin	Signal	Pin	Signal	Pin	Signal	Pin	Signal	Pin	Signal	Pin	Signal
A3	NC	C29	D21	J35	D2	U35	Vss	AE35	NC	AL21	A20
A5	D41	C31	D17	J37	Vcc	U37	Vcc	AE37	Vcc	AL23	A18
A7	Vcc	C33	D14	K2	Vss	V2	Vss	AF2	Vss	AL25	A16
A9	Vcc	C35	D10	K4	D59	V4	AHOLD	AF4	PCHK#	AL27	A14
A11	Vcc	C37	D9	K34	D0	V34	SUSP#	AF34	A21	AL29	A12
A13	Vcc	D2	D50	K36	Vss	V36	Vss	AF36	Vss	AL31	A11
A15	Vcc	D4	D48	L1	Vcc	W1	Vcc	AG1	Vcc	AL33	A7
A17	Vcc	D6	D44	L3	D61	W3	EWBE#	AG3	SMIACT#	AL35	A3
A19	Vcc	D8	D40	L5	D60	W5	KEN#	AG5	PCD	AL37	Vss
A21	Vcc	D10	D39	L33	Vcc	W33	SUSPA#	AG33	A27	AM2	ADSC#
A23	Vcc	D12	D37	L35	NC	W35	Reserved	AG35	A24	AM4	EADS#
A25	Vcc	D14	D35	L37	Vcc	W37	Vcc	AG37	Vcc	AM6	W/R#
A27	Vcc	D16	D33	M2	Vss	X2	Vss	AH2	Vss	AM8	Vss
A29	Vcc	D18	DP3	M4	D62	X4	BRDY#	AH4	LOCK#	AM10	Vss
A31	D22	D20	D30	M34	TCK	X34	Reserved	AH34	A26	AM12	Vss
A33	D18	D22	D28	M36	Vss	X36	Vss	AH36	A22	AM14	Vss
A35	D15	D24	D26	N1	Vcc	Y1	Vcc	AJ1	BREQ	AM16	Vss
A37	NC	D26	D23	N3	D63	Y3	BRDYC#	AJ3	HLDA	AM18	Vss
B2	NC	D28	D19	N5	DP7	Y5	NA#	AJ5	ADS#	AM20	Vss
B4	D43	D30	DP1	N33	TDO	Y33	CLKMUL	AJ33	A31	AM22	Vss
B6	Vss	D32	D12	N35	TDI	Y35	Reserved	AJ35	A25	AM24	Vss
B8	Vss	D34	D8	N37	Vcc	Y37	Vcc	AJ37	Vss	AM26	Vss
B10	Vss	D36	DP0	P2	Vss	Z2	Vss	AK2	AP	AM28	Vss
B12	Vss	E1	D54	P4	NC	Z4	BOFF#	AK4	D/C#	AM30	Vss
B14	Vss	E3	D52	P34	TMS	Z34	NC	AK6	HIT#	AM32	A8
B16	Vss	E5	D49	P36	Vss	Z36	Vss	AK8	A20M#	AM34	A4
B18	Vss	E7	D46	Q1	Vcc	AA1	Vcc	AK10	BE1#	AM36	A30
B20	Vss	E9	D42	Q3	Reserved	AA3	Reserved	AK12	BE3#	AN1	NC
B22	Vss	E33	D7	Q5	FERR#	AA5	WB/WT#	AK14	BE5#	AN3	NC
B24	Vss	E35	D6	Q33	TRST#	AA33	WM_RST	AK16	BE7#	AN5	NC
B26	Vss	E37	Vcc	Q35	NC	AA35	IGNNE#	AK18	CLK	AN7	FLUSH#
B28	Vss	F2	DP6	Q37	Vcc	AA37	Vcc	AK20	RESET	AN9	Vcc
B30	D20	F4	D51	R2	Vss	AB2	Vss	AK22	A19	AN11	Vcc
B32	D16	F6	DP5	R4	Reserved	AB4	HOLD	AK24	A17	AN13	Vcc
B34	D13	F34	D5	R34	BHOLD	AB34	SMI#	AK26	A15	AN15	Vcc
B36	D11	F36	D4	R36	Vss	AB36	Vss	AK28	A13	AN17	Vcc
C1	NC	G1	Vcc	S1	Vcc	AC1	Vcc	AK30	A9	AN19	Vcc
C3	D47	G3	D55	S3	Reserved	AC3	Reserved	AK32	A5	AN21	Vcc
C5	D45	G5	D53	S5	LBA#	AC5	NC	AK34	A29	AN23	Vcc
C7	DP4	G33	D3	S33	Reserved	AC33	NMI	AK36	A28	AN25	Vcc
C9	D38	G35	D1	S35	DHOLD	AC35	NC	AL1	NC	AN27	Vcc
C11	D36	G37	Vcc	S37	Vcc	AC37	Vcc	AL3	PWT	AN29	Vcc
C13	D34	H2	Vss	T2	Vss	AD2	Vss	AL5	HITM#	AN31	A10
C15	D32	H4	D56	T4	MI/O#	AD4	NC	AL7	QDUMP#	AN33	A6
C17	D31	H34	NC	T34	Vcc	AD34	INTR	AL9	BE0#	AN35	Reserved
C19	D29	H36	Vss	T36	Vss	AD36	Vss	AL11	BE2#	AN37	Vss
C21	D27	J1	Vcc	U1	Vcc	AE1	Vcc	AL13	BE4#		
C23	D25	J3	D57	U3	CACHE#	AE3	NC	AL15	BE6#		
C25	DP2	J5	D58	U5	INV	AE5	APCHK#	AL17	SCYC		
C27	D24	J33	Reserved	U33	Vcc	AE33	A23	AL19	Reserved		

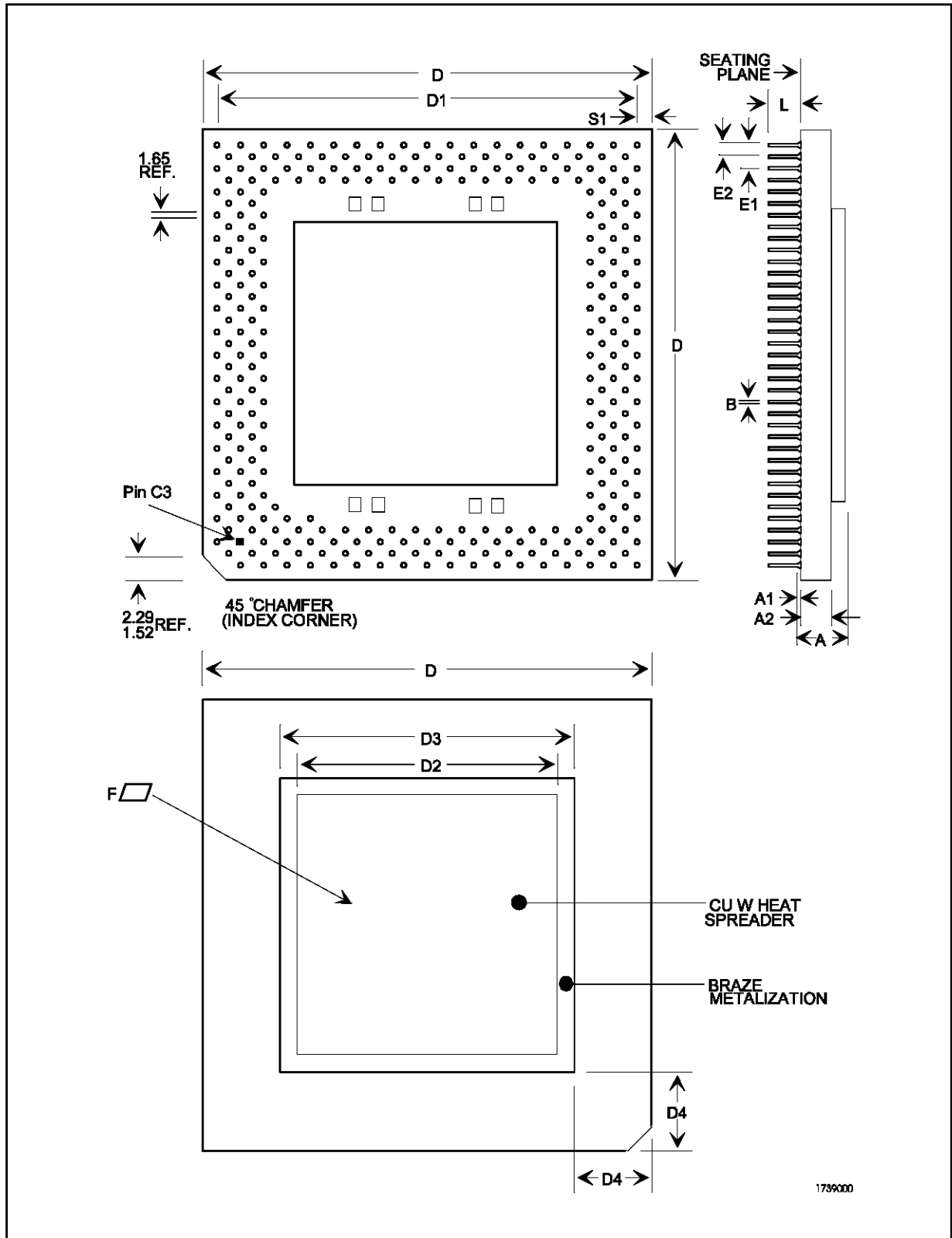
Note: Reserved pins are reserved for future use by SGS-Thomson only. Pins marked NC are not internally connected.

Table 5.2. 296-Pin SPGA Package Pin Numbers Sorted by Signal Name

Signal	Pin	Signal	Pin	Signal	Pin	Signal	Pin	Signal	Pin	Signal	Pin
A3	AL35	CLKMUL	Y33	D48	D4	NC	AN3	Vcc	AA37	Vss	AM12
A4	AM34	D/C#	AK4	D49	E5	NC	AN5	Vcc	AC1	Vss	AM14
A5	AK32	D0	K34	D50	D2	NC	B2	Vcc	AC37	Vss	AM16
A6	AN33	D1	G35	D51	F4	NC	C1	Vcc	AE1	Vss	AM18
A7	AL33	D2	J35	D52	E3	NC	H34	Vcc	AE37	Vss	AM20
A8	AM32	D3	G33	D53	G5	NC	L35	Vcc	AG1	Vss	AM22
A9	AK30	D4	F36	D54	E1	NC	P4	Vcc	AG37	Vss	AM24
A10	AN31	D5	F34	D55	G3	NC	Q35	Vcc	AN11	Vss	AM26
A11	AL31	D6	E35	D56	H4	NC	Z34	Vcc	AN13	Vss	AM28
A12	AL29	D7	E33	D57	J3	NMI	AC33	Vcc	AN15	Vss	AM30
A13	AK28	D8	D34	D58	J5	PCD	AG5	Vcc	AN17	Vss	AM8
A14	AL27	D9	C37	D59	K4	PCHK#	AF4	Vcc	AN19	Vss	AN37
A15	AK26	D10	C35	D60	L5	PWT	AL3	Vcc	AN21	Vss	B6
A16	AL25	D11	B36	D61	L3	QDUMP#	AL7	Vcc	AN23	Vss	B8
A17	AK24	D12	D32	D62	M4	RESET	AK20	Vcc	AN25	Vss	B10
A18	AL23	D13	B34	D63	N3	SCYC	AL17	Vcc	AN27	Vss	B12
A19	AK22	D14	C33	DHOLD	S35	Reserved	AA3	Vcc	AN29	Vss	B14
A20	AL21	D15	A35	DP0	D36	Reserved	AC3	Vcc	AN9	Vss	B16
A20M#	AK8	D16	B32	DP1	D30	Reserved	AL19	Vcc	E37	Vss	B18
A21	AF34	D17	C31	DP2	C25	Reserved	AN35	Vcc	G1	Vss	B20
A22	AH36	D18	A33	DP3	D18	Reserved	J33	Vcc	G37	Vss	B22
A23	AE33	D19	D28	DP4	C7	Reserved	Q3	Vcc	J1	Vss	B24
A24	AG35	D20	B30	DP5	F6	Reserved	R4	Vcc	J37	Vss	B26
A25	AJ35	D21	C29	DP6	F2	Reserved	S3	Vcc	L1	Vss	B28
A26	AH34	D22	A31	DP7	N5	Reserved	S33	Vcc	L33	Vss	H2
A27	AG33	D23	D26	EADS#	AM4	Reserved	W35	Vcc	L37	Vss	H36
A28	AK36	D24	C27	EWBE#	W3	Reserved	X34	Vcc	N1	Vss	K2
A29	AK34	D25	C23	FERR#	Q5	Reserved	Y35	Vcc	N37	Vss	K36
A30	AM36	D26	D24	FLUSH#	AN7	SMI#	AB34	Vcc	Q1	Vss	M2
A31	AJ33	D27	C21	HIT#	AK6	SMIACT#	AG3	Vcc	Q37	Vss	M36
ADS#	AJ5	D28	D22	HITM#	AL5	SUSP#	V34	Vcc	S1	Vss	P2
ADSC#	AM2	D29	C19	HLDA	AJ3	SUSPA#	W33	Vcc	S37	Vss	P36
AHOLD	V4	D30	D20	HOLD	AB4	TCK	M34	Vcc	T34	Vss	R2
AP	AK2	D31	C17	IGNNE#	AA35	TDI	N35	Vcc	U1	Vss	R36
APCHK#	AE5	D32	C15	INTR	AD34	TDO	N33	Vcc	U33	Vss	T2
BE0#	AL9	D33	D16	INV	U5	TMS	P34	Vcc	U37	Vss	T36
BE1#	AK10	D34	C13	KEN#	W5	TRST#	Q33	Vcc	W1	Vss	U35
BE2#	AL11	D35	D14	LBA#	S5	Vcc	A7	Vcc	W37	Vss	V2
BE3#	AK12	D36	C11	LOCK#	AH4	Vcc	A9	Vcc	Y1	Vss	V36
BE4#	AL13	D37	D12	MIO#	T4	Vcc	A11	Vcc	Y37	Vss	X2
BE5#	AK14	D38	C9	NA#	Y5	Vcc	A13	Vss	AB2	Vss	X36
BE6#	AL15	D39	D10	NC	A3	Vcc	A15	Vss	AB36	Vss	Z2
BE7#	AK16	D40	D8	NC	A37	Vcc	A17	Vss	AD2	Vss	Z36
BHOLD	R34	D41	A5	NC	AC35	Vcc	A19	Vss	AD36	WB/WT#	AA5
BOFF#	Z4	D42	E9	NC	AC5	Vcc	A21	Vss	AF2	W/R#	AM6
BRDY#	X4	D43	B4	NC	AD4	Vcc	A23	Vss	AF36	WM_RST	AA33
BRDYC#	Y3	D44	D6	NC	AE3	Vcc	A25	Vss	AH2		
BREQ	AJ1	D45	C5	NC	AE35	Vcc	A27	Vss	AJ37		
CACHE#	U3	D46	E7	NC	AL1	Vcc	A29	Vss	AL37		
CLK	AK18	D47	C3	NC	AN1	Vcc	AA1	Vss	AM10		

Note: Reserved pins are reserved for future use by SGS-Thomson only. Pins marked NC are not internally connected.

Figure 5.2. 296-Pin SPGA Package



1799000

Table 5.3. 296-Pin SPGA Package Dimensions

SYMBOL	MILLIMETERS		INCHES	
	MIN	MAX	MIN	MAX
A	3.91	4.70	0.154	0.185
A1	0.33	0.43	0.013	0.017
A2	2.51	3.07	0.099	0.121
B	0.43	0.51	0.017	0.020
D	49.28	49.91	1.940	1.965
D1	45.47	45.97	1.790	1.810
D2	31.50 Sq.	32.00 Sq.	1.240 Sq.	1.260 Sq.
D3	33.99	34.59	1.338	1.362
D4	8.00	9.91	0.315	0.390
E1	2.41	2.67	0.095	0.105
E2	1.14	1.40	0.045	0.055
F	-	0.127 Diag.	-	0.005 Diag.
L	3.05	3.30	0.120	0.130
N	296 (Pin Count)			
S1	1.65	2.16	0.065	0.085

5.2 Thermal Characteristics

The ST6x86 processor is designed to operate when the case temperature at the top center of the package is between 0°C and 70°C. The maximum die (junction) temperature, $T_{J\text{ MAX}}$, and the maximum ambient temperature, $T_{A\text{ MAX}}$, can be calculated by substituting thermal resistance and maximum values for case or junction temperature and power dissipation in the following equations:

Table 5.4 lists the junction-to-case and case-to-ambient thermal resistances for the SPGA package.

$$T_J = T_C + (P * \theta_{JC})$$

$$T_A = T_J - (P * \theta_{JA})$$

where:

T_A = Ambient temperature (°C)

T_J = Average junction temperature (°C)

T_C = Case temperature at top center of package (°C)

P = Power dissipation (W)

θ_{JC} = Junction-to-case thermal resistance (°C/W)

θ_{JA} = Junction-to-ambient thermal resistance (°C/W)

Table 5.4. Thermal Resistances for SPGA Package With and Without Heatsinks

Thermal Resistance	θ_{JC} °C/W	θ_{CA} °C/W					
		0	100	200	400	600	800
Laminar Air Flow (ft/min)	0	0	100	200	400	600	800
1.95 x 1.95 x 0.25 Heatsink	0.9	8.4	7.4	6.0	4.0	3.1	2.6
1.95 x 1.95 x 0.40 Heatsink	0.9	7.7	6.6	4.9	3.2	2.7	2.1
1.95 x 1.95 x 0.65 Heatsink	0.9	5.9	4.7	3.2	2.1	1.7	1.4
Without Heatsink	1.4	14.7	11.5	9.1	7.3	7.0	6.2

Notes:

For a ST6x86 processor with 1.25 x 1.25 x 0.40 inch CuW heat spreader.

Heatsinks are omni-directional pin aluminum alloy.

Features are based on standard extrusion practices for a given height.

Heatsink attachment was made with 0.006 inch of thermal grease applied between heatsink and case.

Maximum air temperature is assumed to be 40 °C

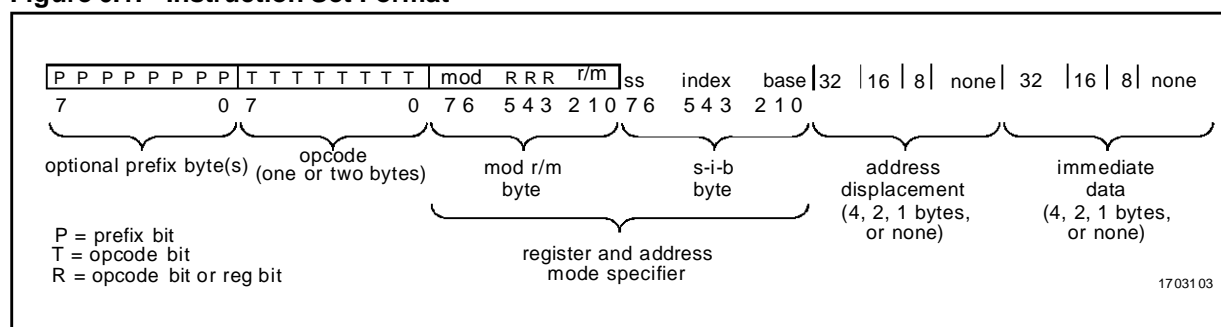
6.0 INSTRUCTION SET

This section summarizes the ST6x86 CPU instruction set and provides detailed information on the instruction encodings. All instructions are listed in the CPU Instruction Set Summary Table (Table 6-20, Page 6-14), and the FPU Instruction Set Summary Table (Table 6-22, Page 6-30). These tables provide information on the instruction encoding, and the instruction clock counts for each instruction. The clock count values for both tables are based on the assumptions described in Section 6.3.

6.1 Instruction Set Summary

Depending on the instruction, the ST6x86 CPU instructions follow the general instruction format shown in Figure 6.1. These instructions vary in length and can start at any byte address. An instruction consists of one or more bytes that can include: prefix byte(s), at least one opcode byte(s), mod r/m byte, s-i-b byte, address displacement byte(s) and immediate data byte(s). An instruction can be as short as one byte and as long as 15 bytes. If there are more than 15 bytes in the instruction a general protection fault (error code of 0) is generated.

Figure 6.1. Instruction Set Format



6.2 General Instruction Fields

The fields in the general instruction format at the byte level are listed in Table 6.1.

Table 6.1. Instruction Fields

FIELD NAME	DESCRIPTION	WIDTH
Optional Prefix Byte(s)	Specifies segment register override, address and operand size, repeat elements in string instruction, LOCK# assertion.	1 or more bytes
Opcode Byte(s)	Identifies instruction operation.	1 or 2 bytes
mod and r/m Byte	Address mode specifier.	1 byte
s-i-b Byte	Scale factor, Index and Base fields.	1 byte
Address Displacement	Address displacement operand.	1, 2 or 4 bytes
Immediate data	Immediate data operand.	1, 2 or 4 bytes

6.2.1 Optional Prefix Bytes

Prefix bytes can be placed in front of any instruction. The prefix modifies the operation of the next instruction only. When more than one prefix is used, the order is not important. There are five type of prefixes as follows:

1. Segment Override explicitly specifies which segment register an instruction will use for effective address calculation.
2. Address Size switches between 16- and 32-bit addressing. Selects the inverse of the default.
3. Operand Size switches between 16- and 32-bit operand size. Selects the inverse of the default.
4. Repeat is used with a string instruction which causes the instruction to be repeated for each element of the string.
5. Lock is used to assert the hardware LOCK# signal during execution of the instruction.

Table 6.2 lists the encodings for each of the available prefix bytes.

Table 6.2. Instruction Prefix Summary

PREFIX	ENCODING	DESCRIPTION
ES:	26h	Override segment default, use ES for memory operand
CS:	2Eh	Override segment default, use CS for memory operand
SS:	36h	Override segment default, use SS for memory operand
DS:	3Eh	Override segment default, use DS for memory operand
FS:	64h	Override segment default, use FS for memory operand
GS:	65h	Override segment default, use GS for memory operand
Operand Size	66h	Make operand size attribute the inverse of the default
Address Size	67h	Make address size attribute the inverse of the default
LOCK	F0h	Assert LOCK# hardware signal.
REPNE	F2h	Repeat the following string instruction.
REP/REPE	F3h	Repeat the following string instruction.

6.2.2 Opcode Byte

The opcode field specifies the operation to be performed by the instruction. The opcode field is either one or two bytes in length and may be further defined by additional bits in the mod r/m byte. Some operations have more than one opcode, each specifying a different form of the operation. Some opcodes name instruction groups. For example, opcode 80h names a group of operations that have an immediate operand and a register or memory operand. The reg field may appear in the second opcode byte or in the mod r/m byte.

6.2.2.1 w Field

The 1-bit w field (Table 6.3) selects the operand size during 16 and 32 bit data operations.

Table 6.3. w Field Encoding

w FIELD	OPERAND SIZE	
	16-BIT DATA OPERATIONS	32-BIT DATA OPERATIONS
0	8 Bits	8 Bits
1	16 Bits	32 Bits

6.2.2.2 d Field

The d field (Table 6.4) determines which operand is taken as the source operand and which operand is taken as the destination.

Table 6.4. d Field Encoding

d FIELD	DIRECTION OF OPERATON	SOURCE OPERAND	DESTINATION OPERAND
0	Register --> Register or Register --> Memory	reg	mod r/m or mod ss-index-base
1	Register --> Register or Memory --> Register	mod r/m or mod ss-index-base	reg

6.2.2.3 s Field

The s field (Table 6.5) determines the size of the immediate data field. If the S bit is set, the immediate field of the OP code is 8-bits wide and is sign extended to match the operand size of the opcode.

Table 6.5. s Field Encoding

s FIELD	Immediate Field Size		
	8-Bit Operand Size	16-Bit Operand Size	32-Bit Operand Size
0 (or not present)	8 bits	16 bits	32 bits
1	8 bits	8 bits (sign extended)	8 bits (sign extended)

6.2.2.4 eee Field

The eee field (Table 6.6) is used to select the control, debug and test registers in the MOV instructions. The type of register and base registers selected by the eee field are listed in Table 6.6. The values shown in Table 6.6 are the only valid encodings for the eee bits.

Table 6.6. eee Field Encoding

eee FIELD	REGISTER TYPE	BASE REGISTER
000	Control Register	CR0
010	Control Register	CR2
011	Control Register	CR3
000	Debug Register	DR0
001	Debug Register	DR1
010	Debug Register	DR2
011	Debug Register	DR3
110	Debug Register	DR6
111	Debug Register	DR7
011	Test Register	TR3
100	Test Register	TR4
101	Test Register	TR5
110	Test Register	TR6
111	Test Register	TR7

6.2.3 mod and r/m Byte

The mod and r/m fields (Table 6.7), within the mod r/m byte, select the type of memory addressing to be used. Some instructions use a fixed addressing mode (e.g., PUSH or POP) and therefore, these

fields are not present. Table 6.7 lists the addressing method when 16-bit addressing is used and a mod r/m byte is present. Some mod r/m field encodings are dependent on the w field and are shown in Table 6.8 (Page 6-7).

Table 6.7. mod r/m Field Encoding

mod and r/m fields	16-BIT ADDRESS MODE with mod r/m Byte	32-BIT ADDRESS MODE with mod r/m Byte and No s-i-b Byte Present
00 000	DS:[BX+SI]	DS:[EAX]
00 001	DS:[BX+DI]	DS:[ECX]
00 010	DS:[BP+SI]	DS:[EDX]
00 011	DS:[BP+DI]	DS:[EBX]
00 100	DS:[SI]	s-i-b is present (See 6.2.4)
00 101	DS:[DI]	DS:[d32]
00 110	DS:[d16]	DS:[ESI]
00 111	DS:[BX]	DS:[EDI]
01 000	DS:[BX+SI+d8]	DS:[EAX+d8]
01 001	DS:[BX+DI+d8]	DS:[ECX+d8]
01 010	DS:[BP+SI+d8]	DS:[EDX+d8]
01 011	DS:[BP+DI+d8]	DS:[EBX+d8]
01 100	DS:[SI+d8]	s-i-b is present (See 6.2.4)
01 101	DS:[DI+d8]	SS:[EBP+d8]
01 110	SS:[BP+d8]	DS:[ESI+d8]
01 111	DS:[BX+d8]	DS:[EDI+d8]
10 000	DS:[BX+SI+d16]	DS:[EAX+d32]
10 001	DS:[BX+DI+d16]	DS:[ECX+d32]
10 010	DS:[BP+SI+d16]	DS:[EDX+d32]
10 011	DS:[BP+DI+d16]	DS:[EBX+d32]
10 100	DS:[SI+d16]	s-i-b is present (See 6.2.4)
10 101	DS:[DI+d16]	SS:[EBP+d32]
10 110	SS:[BP+d16]	DS:[ESI+d32]
10 111	DS:[BX+d16]	DS:[EDI+d32]
11 000-11 111	See Table 6-8	See Table 6-8

Table 6.8. mod r/m Field Encoding Dependent on w Field

mod r/m	16-BIT OPERATION w = 0	16-BIT OPERATION w = 1	32-BIT OPERATION w = 0	32-BIT OPERATION w = 1
11 000	AL	AX	AL	EAX
11 001	CL	CX	CL	ECX
11 010	DL	DX	DL	EDX
11 011	BL	BX	BL	EBX
11 100	AH	SP	AH	ESP
11 101	CH	BP	CH	EBP
11 110	DH	SI	DH	ESI
11 111	BH	DI	BH	EDI

6.2.3.1 reg Field

The reg field (Table 6.9) determines which general registers are to be used. The selected register is dependent on whether a 16 or 32 bit operation is current and the status of the w bit.

Table 6.9. reg Field

reg	16-BIT OPERATION w Field Not Present	32-BIT OPERATION w Field Not Present	16-BIT OPERATION w = 0	16-BIT OPERATION w = 1	32-BIT OPERATION w = 0	32-BIT OPERATION w = 1
000	AX	EAX	AL	AX	AL	EAX
001	CX	ECX	CL	CX	CL	ECX
010	DX	EDX	DL	DX	DL	EDX
011	BX	EBX	BL	BX	BL	EBX
100	SP	ESP	AH	SP	AH	ESP
101	BP	EBP	CH	BP	CH	EBP
110	SI	ESI	DH	SI	DH	ESI
111	DI	EDI	BH	DI	BH	EDI

6.2.3.2 sreg3 Field

The sreg3 field (Table 6.10) is 3-bit field that is similar to the sreg2 field, but allows use of the FS and GS segment registers.

Table 6.10. sreg3 Field Encoding

sreg3 FIELD	SEGMENT REGISTER SELECTED
000	ES
001	CS
010	SS
011	DS
100	FS
101	GS
110	undefined
111	undefined

6.2.3.3 sreg2 Field

The sreg2 field (Table 6.11) is a 2-bit field that allows one of the four 286-type segment registers to be specified.

Table 6.11. sreg2 Field Encoding

sreg2 FIELD	SEGMENT REGISTER SELECTED
00	ES
01	CS
10	SS
11	DS

6.2.4 s-i-b Byte

The s-i-b fields provide scale factor, indexing and a base field for address selection.

6.2.4.1 ss Field

The ss field (Table 6.12) specifies the scale factor used in the offset mechanism for address calculation. The scale factor multiplies the index value to provide one of the components used to calculate the offset address.

Table 6.12. ss Field Encoding

ss FIELD	SCALE FACTOR
00	x1
01	x2
10	x4
11	x8

6.2.4.2 index Field

The index field (Table 6.13) specifies the index register used by the offset mechanism for offset address calculation. When no index register is used (index field = 100), the ss value must be 00 or the effective address is undefined.

Table 6.13. Index Field Encoding

Index FIELD	INDEX REGISTER
000	EAX
001	ECX
010	EDX
011	EBX
100	none
101	EBP
110	ESI
111	EDI

6.2.4.3 Base Field

In (Table 6.7), the note “s-i-b present” for certain entries forces the use of the mod and base field as listed in Table 6.14. The first two digits in the first

column of Table 6.14 identifies the mod bits in the mod r/m byte. The last three digits in the first column of this table identifies the base fields in the s-i-b byte.

Table 6.14. mod base Field Encoding

mod FIELD WITHIN mode/rm BYTE	base FIELD WITHIN s-i-b BYTE	32-BIT ADDRESS MODE with mod r/m and s-i-b Bytes Present
00	000	DS:[EAX+(scaled index)]
00	001	DS:[ECX+(scaled index)]
00	010	DS:[EDX+(scaled index)]
00	011	DS:[EBX+(scaled index)]
00	100	SS:[ESP+(scaled index)]
00	101	DS:[d32+(scaled index)]
00	110	DS:[ESI+(scaled index)]
00	111	DS:[EDI+(scaled index)]
01	000	DS:[EAX+(scaled index)+d8]
01	001	DS:[ECX+(scaled index)+d8]
01	010	DS:[EDX+(scaled index)+d8]
01	011	DS:[EBX+(scaled index)+d8]
01	100	SS:[ESP+(scaled index)+d8]
01	101	SS:[EBP+(scaled index)+d8]
01	110	DS:[ESI+(scaled index)+d8]
01	111	DS:[EDI+(scaled index)+d8]
10	000	DS:[EAX+(scaled index)+d32]
10	001	DS:[ECX+(scaled index)+d32]
10	010	DS:[EDX+(scaled index)+d32]
10	011	DS:[EBX+(scaled index)+d32]
10	100	SS:[ESP+(scaled index)+d32]
10	101	SS:[EBP+(scaled index)+d32]
10	110	DS:[ESI+(scaled index)+d32]
10	111	DS:[EDI+(scaled index)+d32]

6.3 CUID Instruction

The ST6x86 CPU executes the CUID instruction (opcode 0FA2) as documented in this section only if the CUID bit in the CCR4 configuration register is set. The CUID instruction may be used by software to determine the vendor and type of CPU.

When the CUID instruction is executed with EAX = 0, the ASCII characters "Cyrilnstead" are placed in the EBX, EDX, and ECX registers as shown in Table 6.15:

Table 6.15. CUID Data Returned When EAX = 0

REGISTER	CONTENTS (D31 - D0)			
EBX	69 i	72 r	79 y	43 C*
EDX	73 s	6E n	49 l	78 x*
ECX	64 d	61 a	65 e	74 t*

*ASCII equivalent

When the CUID instruction is executed with EAX = 1, EAX and EDX contain the values shown in Table 6.16.

Table 6.16. CUID Data Returned When EAX = 1

REGISTER	CONTENTS
EAX(3-0)	0
EAX(7-4)	3
EAX(11-8)	5
EAX(13-12)	0
EAX(31-14)	reserved
EDX	If EDX = 00, FPU not on-chip. If EDX = 01, FPU on-chip.

6.4 Instruction Set Tables

The ST6x86 CPU instruction set is presented in two tables: Table 6.20 "ST6x86 CPU Instruction Set Clock Count Summary" and Table 6.21 "FPU Clock Count Table Abbreviations". Additional information concerning the FPU Instruction Set is presented in section 6.5.

6.4.1 Assumptions Made in Determining Instruction Clock Count

The assumptions made in determining instruction clock counts are listed below:

1. All clock counts refer to the internal CPU internal clock frequency. For example, the clock counts for a clock-doubled ST6x86 CPU-100 refer to 100 MHz clocks while the external clock is 50MHz.
2. The instruction has been prefetched, decoded and is ready for execution.
3. Bus cycles do not require wait states.
4. There are no local bus HOLD requests delaying processor access to the bus.
5. No exceptions are detected during instruction execution.
6. If an effective address is calculated, it does not use two general register components. One register, scaling and displacement can be used within the clock count shown. However, if the effective address calculation uses two general register components, add 1 clock to the clock count shown.

7. All clock counts assume aligned 32-bit memory/IO operands.
8. If instructions access a 32-bit operand that crosses a 64-bit boundary, add 1 clock for read or write and add 2 clocks for read and write.
9. For non-cached memory accesses, add two clocks (ST6x86 CPU with 2x clock) or four clocks (ST6x86 CPU with 3x clock). (Assumes zero wait state memory accesses).
10. Locked cycles are not cacheable. Therefore, using the LOCK prefix with an instruction adds additional clocks as specified in paragraph 9 above.
11. No parallel execution of instructions.

6.4.2 CPU Instruction Set Summary Table Abbreviations

The clock counts listed in the CPU Instruction Set Summary Table are grouped by operating mode and whether there is a register/cache hit or a cache miss. In some cases, more than one clock count is shown in a column for a given instruction, or a variable is used in the clock count. The abbreviations used for these conditions are listed in Table 6.17.

Table 6.17. CPU Clock Count Abbreviations

CLOCK COUNT SYMBOL	EXPLANATION
/	Register operand/memory operand.
n	Number of times operation is repeated.
L	Level of the stack frame.
	Conditional jump taken Conditional jump not taken. (e.g. "4 1" = 4 clocks if jump taken, 1 clock if jump not taken)
\	$CPL \leq IOPL \setminus CPL > IOPL$ (where CPL = Current Privilege Level, IOPL = I/O Privilege Level)
m	Number of parameters passed on the stack.

6.4.3 CPU Instruction Set Summary Table Flags Table

The CPU Instruction Set Summary Table lists nine flags that are affected by the execution of instructions. The conventions shown in Table 6.18 are used to identify the different flags. Table 6.19 lists the conventions used to indicate what action the instruction has on the particular flag.

Table 6.18. Flag Abbreviations

ABBREVIATION	NAME OF FLAG
OF	Overflow Flag
DF	Direction Flag
IF	Interrupt Enable Flag
TF	Trap Flag
SF	Sign Flag
ZF	Zero Flag
AF	Auxiliary Flag
PF	Parity Flag
CF	Carry Flag

Table 6.19. Action of Instruction on Flag

INSTRUCTION TABLE SYMBOL	ACTION
x	Flag is modified by the instruction.
-	Flag is not changed by the instruction.
0	Flag is reset to "0".
1	Flag is set to "1".
u	Flag is undefined following execution of the instruction.

Table 6.20. ST6x86 CPU Instruction Set Clock Count Summary

INSTRUCTION	OPCODE	FLAGS			REAL MODE CLOCK COUNT	PROTECTED MODE CLOCK COUNT	NOTES						
		OF	DF	IF	TF	SF	ZF	AF	PFCF	Reg/Cache Hit	Reg/Cache Hit	Real Mode	Protected Mode
AAA ASCII Adjust AL after Add	37	u	-	-	u	u	x	u	x	7	7		
AAD ASCII Adjust AX before Divide	D5 0A	u	-	-	x	x	u	x	u	7	7		
AAM ASCII Adjust AX after Multiply	D4 0A	u	-	-	x	x	u	x	u	13-21	13-21		
AAS ASCII Adjust AL after Subtract	3F	u	-	-	u	u	x	u	x	7	7		
ADC Add with Carry		x	-	-	x	x	x	x	x			b	h
Register to Register	1 [00dw] [11 reg r/m]									1	1		
Register to Memory	1 [000w] [mod reg r/m]									1	1		
Memory to Register	1 [001w] [mod reg r/m]									1	1		
Immediate to Register/Memory	8 [00sw] [mod 010 r/m]###									1	1		
Immediate to Accumulator	1 [010w] ###									1	1		
ADD Integer Add		x	-	-	x	x	x	x	x			b	h
Register to Register	0 [00dw] [11 reg r/m]									1	1		
Register to Memory	0 [000w] [mod reg r/m]									1	1		
Memory to Register	0 [001w] [mod reg r/m]									1	1		
Immediate to Register/Memory	8 [00sw] [mod 000 r/m]###									1	1		
Immediate to Accumulator	0 [010w] ###									1	1		

= immediate 8-bit data
 ## = immediate 16-bit data
 ### = full immediate 32-bit data (8, 16, 32 bits)
 + = 8-bit signed displacement
 +++ = full signed displacement (16, 32 bits)
 x = modified
 - = unchanged
 u = undefined

Table 6.20. ST6x86 CPU Instruction Set Clock Count Summary (Continued)

INSTRUCTION	OPCODE	FLAGS			REAL MODE CLOCK COUNT		PROTECTED MODE CLOCK COUNT		NOTES					
		OF	DF	IF	TF	SF	ZF	AF	PF	CF	Reg/Cache Hit	Cache Hit	Real Mode	Protected Mode
AND Boolean AND Register to Register	2 [00dw] [11 reg r/m]	0	-	-	x	x	x	u	x	0	1		b	h
Register to Memory	2 [000w] [mod reg r/m]									1				
Memory to Register	2 [001w] [mod reg r/m]									1				
Immediate to Register/Memory	8 [00sw] [mod 100 r/m]###									1				
Immediate to Accumulator	2 [010w] ###									1				
ARPL Adjust Requested Privilege Level From Register/Memory	63 [mod reg r/m]	-	-	-	-	x	-	-	-		9		a	h
BOUND Check Array Boundaries If Out of Range (Int 5) If In Range	62 [mod reg r/m]	-	-	-	-	-	-	-	-	20	20+INT		b, e	g, h, j, k, r
BSF Scan Bit Forward Register, Register/Memory	0F BC [mod reg r/m]	-	-	-	-	x	-	-	-	11	3		b	h
BSR Scan Bit Reverse Register, Register/Memory	0F BD [mod reg r/m]	-	-	-	-	x	-	-	-	3	3		b	h
BSWAP Byte Swap	0F C[1 reg]	-	-	-	-	-	-	-	-	4	4			
BT Test Bit Register/Memory, Immediate	0F BA [mod 100 r/m]#	-	-	-	-	-	-	-	x	2	2		b	h
Register/Memory, Register	0F A3 [mod reg r/m]									5/6	5/6			
BTC Test Bit and Complement Register/Memory, Immediate	0F BA [mod 111 r/m]#	-	-	-	-	-	-	-	x	3	3		b	h
Register/Memory, Register	0F BB [mod reg r/m]									5/6	5/6			

x = modified
- = unchanged
u = undefined

+ = 8-bit signed displacement
+++ = full signed displacement (16, 32 bits)

= immediate 8-bit data
= immediate 16-bit data
= full immediate 32-bit data (8, 16, 32 bits)

Table 6.20. ST6x86 CPU Instruction Set Clock Count Summary (Continued)

INSTRUCTION	OPCODE	FLAGS	REAL MODE CLOCK COUNT		PROTECTED MODE CLOCK COUNT		NOTES	
			Reg/Cache Hit	Reg/Cache Hit	Reg/Cache Hit	Real Mode	Protected Mode	
BTR <i>Test Bit and Reset</i> Register/Memory, Immediate Register/Memory, Register	0F BA [mod 110 r/m]#	OF DF IF TF SF ZF AF PFCF - - - - - - - - - - x	3	3		b	h	
	0F B3 [mod reg r/m]		5/6	5/6				
BTS <i>Test Bit and Set</i> Register/Memory Register (short form)	0F BA [mod 101 r/m]	- - - - - - - - - - x	3	3		b	h	
	0F AB [mod reg r/m]		5/6	5/6				

= immediate 8-bit data
 ## = immediate 16-bit data
 ### = full immediate 32-bit data (8, 16, 32 bits)

+ = 8-bit signed displacement
 +++ = full signed displacement (16, 32 bits)

x = modified
 - = unchanged
 u = undefined

Table 6.20. ST6x86 CPU Instruction Set Clock Count Summary (Continued)

INSTRUCTION	OPCODE	FLAGS	REAL MODE CLOCK COUNT		PROTECTED MODE CLOCK COUNT		NOTES	
			Reg/Cache Hit	Cache Hit	Reg/Cache Hit	Cache Hit	Real Mode	Protected Mode
CBW Convert Byte to Word	98	- - - - - - - - - -	3		3			
CDQ Convert Doubleword to Quadword	99	- - - - - - - - - -	2		2			
CLC Clear Carry Flag	F8	- - - - - - - - 0	1		1			
CLD Clear Direction Flag	FC	- 0 - - - - - - - -	7		7			
CLI Clear Interrupt Flag	FA	- - 0 - - - - - - -	7		7			m
CLTS Clear Task Switched Flag	0F 06	- - - - - - - - - -	10		10			c l
CMC Complement the Carry Flag	F5	- - - - - - - - - x	2		2			
CMP Compare Integers	3 [10dw] [11 reg r/m]	x - - - x x x x x x	1		1			b h
Register to Register	3 [101w] [mod reg r/m]		1		1			
Register to Memory	3 [100w] [mod reg r/m]		1		1			
Memory to Register	8 [00sw] [mod 111 r/m]###		1		1			
Immediate to Register/Memory	3 [110w] ###		1		1			
Immediate to Accumulator								
CMPS Compare String	A [011w]	x - - - x x x x x x	5		5			b h
CMPXCHG Compare and Exchange								
Register ¹ , Register ²	0F B [000w] [11 reg2 reg1]	x - - - x x x x x x	11		11			
Memory, Register	0F B [000w] [mod reg r/m]		11		11			
CPUID CPU Identification	0F A2	- - - - - - - - - -	12		12			
CWD Convert Word to Doubleword	99	- - - - - - - - - -	2		2			
CWDE Convert Word to Doubleword Extended	98	- - - - - - - - - -	2		2			
DAA Decimal Adjust AL after Add	27	- - - - x x x x x x	9		9			

= immediate 8-bit data
 ## = immediate 16-bit data
 ### = full immediate 32-bit data (8, 16, 32 bits)
 + = 8-bit signed displacement
 +++ = full signed displacement (16, 32 bits)
 x = modified
 - = unchanged
 u = undefined

Table 6.20. ST6x86 CPU Instruction Set Clock Count Summary (Continued)

INSTRUCTION	OPCODE	FLAGS	REAL MODE CLOCK COUNT		PROTECTED MODE CLOCK COUNT		NOTES	
			Reg/Cache Hit	Reg/Cache Hit	Reg/Cache Hit	Protected Mode	Real Mode	Protected Mode
DAS <i>Decimal Adjust AL after Subtract</i>	2F	- - - - X X X X X X X	9	9				
DEC <i>Decrement by 1</i> Register/Memory Register (short form)	F [111w] [mod 001 r/m] 4 [1 reg]	X - - - X X X X X X -	1 1	1 1	1 1		b h	
DIV <i>Unsigned Divide</i> Accumulator by Register/Memory Divisor: Byte Word Doubleword	F [011w] [mod 110 r/m]	- - - - X X X X X X -	13-17 13-25 13-41	13-17 13-25 13-41	13-17 13-25 13-41		b,e e,h	
ENTER <i>Enter New Stack Frame</i> Level = 0 Level = 1 Level (L) > 1	C8 ##, #	- - - - - - - - - - -	10 13 10+L*3	10 13 10+L*3	10 13 10+L*3		b h	
HLT Halt	F4	- - - - - - - - - - -	5	5	5			l
IDIV <i>Integer (Signed) Divide</i> Accumulator by Register/Memory Divisor: Byte Word Doubleword	F [011w] [mod 111 r/m]	- - - - - X X X X X X -	16-20 16-28 17-45	16-20 16-28 17-45	16-20 16-28 17-45		b,e e,h	

x = modified
- = unchanged
u = undefined

+ = 8-bit signed displacement
+++ = full signed displacement (16, 32 bits)

= immediate 8-bit data
= immediate 16-bit data
= full immediate 32-bit data (8, 16, 32 bits)

Table 6.20. ST6x86 CPU Instruction Set Clock Count Summary (Continued)

INSTRUCTION	OPCODE	FLAGS	REAL MODE CLOCK COUNT		PROTECTED MODE CLOCK COUNT		NOTES	
			Reg/Cache Hit	Reg/Cache Hit	Reg/Cache Hit	Protected Mode	Real Mode	Protected Mode
IMUL <i>Integer (Signed) Multiply</i> Accumulator by Register/Memory Multiplier: Byte Word Doubleword Register with Register/Memory	F [011w] [mod 101 r/m]	x - - - x x u u x	4	4			b	h
			4	4				
			10	10				
			4	4				
Multiplier: Word Doubleword Register/Memory with Immediate to Register2	0F AF [mod reg r/m]	- - - - - - - - - -	4	4				
			10	10				
Multiplier: Word Doubleword	6 [10s1] [mod reg r/m] ###	- - - - - - - - - -	5	5				
			11	11				
IN <i>Input from I/O Port</i> Fixed Port Variable Port	E [010w] [#] E [110w]	- - - - - - - - - -	14	14/28				m
			14	14/28				
INC <i>Increment by 1</i> Register/Memory Register (short form)	F [111w] [mod 000 r/m] 4 [0 reg]	x - - - - x x x x -	1	1			b	h
			1	1				
INS <i>Input String from I/O Port</i>	6 [110w]	- - - - - - - - - -	14	14/28			b	h,m

= immediate 8-bit data
 ## = immediate 16-bit data
 ### = full immediate 32-bit data (8, 16, 32 bits)
 + = 8-bit signed displacement
 +++ = full signed displacement (16, 32 bits)
 x = modified
 - = unchanged
 u = undefined

Table 6.20. ST6x86 CPU Instruction Set Clock Count Summary (Continued)

INSTRUCTION	OPCODE	FLAGS	REAL MODE CLOCK COUNT		PROTECTED MODE CLOCK COUNT		NOTES	
			Reg/Cache Hit	Reg/Cache Hit	Reg/Cache Hit	Protected Mode	Real Mode	Protected Mode
INT Software Interrupt								
INT i	CD #	- - x 0 - - - - -	9				b,e	g,j,k,r
Protected Mode: Interrupt or Trap to Same Privilege Interrupt or Trap to Different Privilege 16-bit Task to 16-bit TSS by Task Gate 16-bit Task to 32-bit TSS by Task Gate 16-bit Task to V86 by Task Gate 16-bit Task to 16-bit TSS by Task Gate 32-bit Task to 32-bit TSS by Task Gate 32-bit Task to V86 by Task Gate V86 to 16-bit TSS by Task Gate V86 to 32-bit TSS by Task Gate V86 to Privilege 0 by Trap Gate/Int Gate				21 32 114 122 100 116 124 102 124 102 46 INT				
INT 3	CC							
INTO if OF==0 if OF==1 (INT 4)	CE			INT				
INVD Invalidate Cache	0F 08	- - - - -	12				t	t
INVLPG Invalidate TLB Entry	0F 01 [mod 111 r/m]	- - - - -	13					

= immediate 8-bit data
 ## = immediate 16-bit data
 ### = full immediate 32-bit data (8, 16, 32 bits)
 + = 8-bit signed displacement
 +++ = full signed displacement (16, 32 bits)
 x = modified
 - = unchanged
 u = undefined

Table 6.20. ST6x86 CPU Instruction Set Clock Count Summary (Continued)

INSTRUCTION	OPCODE	FLAGS	REAL MODE CLOCK COUNT		PROTECTED MODE CLOCK COUNT		NOTES	
			Reg/Cache Hit		Reg/Cache Hit		Real Mode	Protected Mode
IRET <i>Interrupt Return</i> Real Mode Protected Mode: Within Task to Same Privilege Within Task to Different Privilege 16-bit Task to 16-bit Task 16-bit Task to 32-bit TSS 16-bit Task to V86 Task 32-bit Task to 16-bit TSS 32-bit Task to 32-bit TSS 32-bit Task to V86 Task	CF	OF DF IF TF SF ZF AF PFCF x x x x x x x x x x x x	7		10 26 117 125 103 119 127 105			g,h,j,k,r
JB/JNAE/JC <i>Jump on Below/Not Above or Equal/Carry</i> 8-bit Displacement Full Displacement	72 + 0F 82 +++	- - - - - - - - - - - - - -	1 1		1 1			r
JBE/JNA <i>Jump on Below or Equal/Not Above</i> 8-bit Displacement Full Displacement	76 + 0F 86 +++	- - - - - - - - - - - - - -	1 1		1 1			r
JCXZ/JECXZ <i>Jump on CX/ECX Zero</i>	E3 +	- - - - - - - - - - - - - -	1		1			r

= immediate 8-bit data
= immediate 16-bit data
= full immediate 32-bit data (8, 16, 32 bits)
+ = 8-bit signed displacement
+++ = full signed displacement (16, 32 bits)
x = modified
- = unchanged
u = undefined

Table 6.20. ST6x86 CPU Instruction Set Clock Count Summary (Continued)

INSTRUCTION	OPCODE	FLAGS	REAL MODE CLOCK COUNT		PROTECTED MODE CLOCK COUNT		NOTES	
			Reg/Cache Hit	Reg/Cache Hit	Reg/Cache Hit	Protected Mode	Real Mode	Protected Mode
JE/JZ <i>Jump on Equal/Zero</i> 8-bit Displacement Full Displacement	74 +	OF DF IF TF SF ZF AF PF CF	1	1	1	r		
	0F 84 +++	- - - - - - - - - -	1	1	1			
JL/JNGE <i>Jump on Less/Not Greater or Equal</i> 8-bit Displacement Full Displacement	7C +	- - - - - - - - - -	1	1	1	r		
	0F 8C +++	- - - - - - - - - -	1	1	1			
JLE/JNG <i>Jump on Less or Equal/Not Greater</i> 8-bit Displacement Full Displacement	7E +	- - - - - - - - - -	1	1	1	r		
	0F 8E +++	- - - - - - - - - -	1	1	1			

= immediate 8-bit data

= immediate 16-bit data

= full immediate 32-bit data (8, 16, 32 bits)

+ = 8-bit signed displacement

+++ = full signed displacement (16, 32 bits)

x = modified

- = unchanged

u = undefined

Table 6.20. ST6x86 CPU Instruction Set Clock Count Summary (Continued)

INSTRUCTION	OPCODE	FLAGS	REAL MODE CLOCK COUNT		PROTECTED MODE CLOCK COUNT		NOTES	
			Reg/Cache Hit	Reg/Cache Hit	Reg/Cache Hit	Protected Mode	Real Mode	Protected Mode
JMP <i>Unconditional Jump</i>	EB +	- - - - - - - - - -	1	1	1	h,j,k,r	b	
8-bit Displacement	E9 +++		1	1	1			
Full Displacement	FF [mod 100 r/m]		1/3	1/3	1/3			
Register/Memory Indirect Within Segment	EA [unsigned full offset, selector]		1	4	4			
Direct Intersegment					14			
Call Gate Same Privilege Level					110			
16-bit Task to 16-bit TSS					118			
16-bit Task to 32-bit TSS					96			
16-bit Task to V86 Task					112			
32-bit Task to 16-bit TSS					120			
32-bit Task to 32-bit TSS					98			
32-bit Task to V86 Task					7			
Indirect Intersegment	FF [mod 101 r/m]		5		17			
Call Gate Same Privilege Level					113			
16-bit Task to 16-bit TSS					121			
16-bit Task to 32-bit TSS					99			
16-bit Task to V86 Task					115			
32-bit Task to 16-bit TSS					123			
32-bit Task to 32-bit TSS					101			
32-bit Task to V86 Task								

= immediate 8-bit data
 ## = immediate 16-bit data
 ### = full immediate 32-bit data (8, 16, 32 bits)
 + = 8-bit signed displacement
 +++ = full signed displacement (16, 32 bits)
 x = modified
 - = unchanged
 u = undefined

Table 6.20. ST6x86 CPU Instruction Set Clock Count Summary (Continued)

INSTRUCTION	OPCODE	FLAGS	REAL MODE CLOCK COUNT		PROTECTED MODE CLOCK COUNT		NOTES	
			Reg/Cache Hit	Reg/Cache Hit	Reg/Cache Hit	Protected Mode	Real Mode	Protected Mode
JNB/JAE/JNC Jump on Not Below/Above or Equal/Not Carry 8-bit Displacement Full Displacement	73 +	- - - - - - - - - -	1		1			r
	0F 83 +++	- - - - - - - - - -	1		1			
JNBE/JA Jump on Not Below or Equal/Above 8-bit Displacement Full Displacement	77 +	- - - - - - - - - -	1		1			r
	0F 87 +++	- - - - - - - - - -	1		1			
JNE/JNZ Jump on Not Equal/Not Zero 8-bit Displacement Full Displacement	75 +	- - - - - - - - - -	1		1			r
	0F 85 +++	- - - - - - - - - -	1		1			
JNL/JGE Jump on Not Less/Greater or Equal 8-bit Displacement Full Displacement	7D +	- - - - - - - - - -	1		1			r
	0F 8D +++	- - - - - - - - - -	1		1			
JNLE/JG Jump on Not Less or Equal/Greater 8-bit Displacement Full Displacement	7F +	- - - - - - - - - -	1		1			r
	0F 8F +++	- - - - - - - - - -	1		1			
JNO Jump on Not Overflow 8-bit Displacement Full Displacement	71 +	- - - - - - - - - -	1		1			r
	0F 81 +++	- - - - - - - - - -	1		1			

= immediate 8-bit data

= immediate 16-bit data

= full immediate 32-bit data (8, 16, 32 bits)

+ = 8-bit signed displacement

+++ = full signed displacement (16, 32 bits)

x = modified

- = unchanged

u = undefined

Table 6.20. ST6x86 CPU Instruction Set Clock Count Summary (Continued)

INSTRUCTION	OPCODE	FLAGS	REAL MODE CLOCK COUNT		PROTECTED MODE CLOCK COUNT		NOTES	
			Reg/Cache Hit	Reg/Cache Hit	Reg/Cache Hit	Protected Mode	Real Mode	Protected Mode
JNP/JPO <i>Jump on Not Parity/Parity Odd</i> 8-bit Displacement Full Displacement	7B +	- - - - - - - - - -	1	1		r		
	0F 8B +++	- - - - - - - - - -	1	1				
JNS <i>Jump on Not Sign</i> 8-bit Displacement Full Displacement	79 +	- - - - - - - - - -	1	1		r		
	0F 89 +++	- - - - - - - - - -	1	1				
JO <i>Jump on Overflow</i> 8-bit Displacement Full Displacement	70 +	- - - - - - - - - -	1	1		r		
	0F 80 +++	- - - - - - - - - -	1	1				
JP/JPE <i>Jump on Parity/Parity Even</i> 8-bit Displacement Full Displacement	7A +	- - - - - - - - - -	1	1		r		
	0F 8A +++	- - - - - - - - - -	1	1				
JS <i>Jump on Sign</i> 8-bit Displacement Full Displacement	78 +	- - - - - - - - - -	1	1		r		
	0F 88 +++	- - - - - - - - - -	1	1				
LAHF <i>Load AH with Flags</i>	9F	- - - - - - - - - -	2	2				
LAR <i>Load Access Rights</i> From Register/Memory	0F 02 [mod reg r/m]	- - - - - x - - - -		8	a		g,h,i,p	
	C5 [mod reg r/m]	- - - - - - - - - -	2	4	b		h,i,j	
LEA <i>Load Effective Address</i> No Index Register With Index Register	8D [mod reg r/m]	- - - - - - - - - -	1	1				
			1	1				

= immediate 8-bit data
= immediate 16-bit data
= full immediate 32-bit data (8, 16, 32 bits)
+ = 8-bit signed displacement
+++ = full signed displacement (16, 32 bits)
x = modified
- = unchanged
u = undefined

Table 6.20. ST6x86 CPU Instruction Set Clock Count Summary (Continued)

INSTRUCTION	OPCODE	FLAGS	REAL MODE CLOCK COUNT		PROTECTED MODE CLOCK COUNT		NOTES	
			Reg/Cache Hit	Reg/Cache Hit	Real Mode	Protected Mode	Real Mode	Protected Mode
LEAVE Leave Current Stack Frame	C9	- - - - - - - - - -	4	4	b	h		
LES Load Pointer to ES	C4 [mod reg r/m]	- - - - - - - - - -	2	4	b	h,i,j		
LFS Load Pointer to FS	0F B4 [mod reg r/m]	- - - - - - - - - -	2	4	b	h,i,j		
LGDT Load GDT Register	0F 01 [mod 010 r/m]	- - - - - - - - - -	8	8	b,c	h,l		
LGS Load Pointer to GS	0F B5 [mod reg r/m]	- - - - - - - - - -	2	4	b	h,i,j		
LIDT Load IDT Register	0F 01 [mod 011 r/m]	- - - - - - - - - -	8	8	b,c	h,l		
LLDT Load LDT Register From Register/Memory	0F 00 [mod 010 r/m]	- - - - - - - - - -	5	5	a	g,h,j,l		
LMSW Load Machine Status Word From Register/Memory	0F 01 [mod 110 r/m]	- - - - - - - - - -	13	13	b,c	h,l		
LODS Load String	A [110 w]	- - - - - - - - - -	3	3	b	h		
LOOP Offset Loop/No Loop	E2 +	- - - - - - - - - -	1	1		r		
LOOPNZ/LOOPNE Offset	E0 +	- - - - - - - - - -	1	1		r		
LOOPZ/LOOPE Offset	E1 +	- - - - - - - - - -	1	1		r		
LSL Load Segment Limit From Register/Memory	0F 03 [mod reg r/m]	- - - - - - - - - - x - - - -		8	a	g,h,j,p		
LSS Load Pointer to SS	0F B2 [mod reg r/m]	- - - - - - - - - -	2	4	a	h,i,j		
LTR Load Task Register From Register/Memory	0F 00 [mod 011 r/m]	- - - - - - - - - -		7	a	g,h,j,l		

= immediate 8-bit data
= immediate 16-bit data
= full immediate 32-bit data (8, 16, 32 bits)

+ = 8-bit signed displacement
+++ = full signed displacement (16, 32 bits)

x = modified
- = unchanged
u = undefined

Table 6.20. ST6x86 CPU Instruction Set Clock Count Summary (Continued)

INSTRUCTION	OPCODE	FLAGS	REAL MODE CLOCK COUNT		PROTECTED MODE CLOCK COUNT		NOTES	
			Reg/Cache Hit	Reg/Cache Hit	Reg/Cache Hit	Protected Mode	Real Mode	
MOV Move Data Register to Register Register to Memory Register/Memory to Register Immediate to Register/Memory Immediate to Register (short form) Memory to Accumulator (short form) Accumulator to Memory (short form) Register/Memory to Segment Register Segment Register to Register/Memory	8 [10dw] [1 reg r/m]	- - - - - - - - - -	1	1			b	h,i,j
	8 [100w] [mod reg r/m]	- - - - - - - - - -	1	1				
	8 [101w] [mod reg r/m]	- - - - - - - - - -	1	1				
	C [011w] [mod 000 r/m]###	- - - - - - - - - -	1	1				
	B [w reg] ###	- - - - - - - - - -	1	1				
	A [000w] +++	- - - - - - - - - -	1	1				
	A [001w] +++	- - - - - - - - - -	1	1				
	8E [mod sreg3 r/m]	- - - - - - - - - -	1	1/3				
	8C [mod sreg3 r/m]	- - - - - - - - - -	1	1				
	MOV Move to/from Control/Debug/Test Regs Register to CR0/CR2/CR3 CR0/CR2/CR3 to Register Register to DR0-DR3 DR0-DR3 to Register Register to DR6-DR7 DR6-DR7 to Register Register to TR3-5 TR3-5 to Register Register to TR6-TR7 TR6-TR7 to Register	0F 22 [11 eee reg]	- - - - - - - - - -	20/5/5	20/5/5			
0F 20 [11 eee reg]		- - - - - - - - - -	6	6				
0F 23 [11 eee reg]		- - - - - - - - - -	16	16				
0F 21 [11 eee reg]		- - - - - - - - - -	14	14				
0F 23 [11 eee reg]		- - - - - - - - - -	16	16				
0F 21 [11 eee reg]		- - - - - - - - - -	14	14				
0F 26 [11 eee reg]		- - - - - - - - - -	10	10				
0F 24 [11 eee reg]		- - - - - - - - - -	5	5				
0F 26 [11 eee reg]		- - - - - - - - - -	10	10				
0F 24 [11 eee reg]		- - - - - - - - - -	6	6				

= immediate 8-bit data
 ## = immediate 16-bit data
 ### = full immediate 32-bit data (8, 16, 32 bits)
 + = 8-bit signed displacement
 +++ = full signed displacement (16, 32 bits)
 x = modified
 - = unchanged
 u = undefined

Table 6.20. ST6x86 CPU Instruction Set Clock Count Summary (Continued)

INSTRUCTION	OPCODE	FLAGS	REAL MODE CLOCK COUNT		PROTECTED MODE CLOCK COUNT		NOTES	
			Reg/Cache Hit	Reg/Cache Hit	Reg/Cache Hit	Protected Mode	Real Mode	Protected Mode
MOVS Move String	A [010w]	- - - - - - - - - -	4	4		b	h	
MOVX Move with Sign Extension Register from Register/Memory	0F B[11w] [mod reg r/m]	- - - - - - - - - -	1	1		b	h	
MOVZX Move with Zero Extension Register from Register/Memory	0F B[01w] [mod reg r/m]	- - - - - - - - - -	1	1		b	h	
MUL Unsigned Multiply Accumulator with Register/Memory	F [011w] [mod 100 r/m]	x - - - x x x u x	4	4		b	h	
Multiplier: Byte			4	4				
Word			4	4				
Doubleword			10	10				
NEG Negate Integer	F [011w] [mod 011 r/m]	x - - - x x x x x	1	1		b	h	
NOP No Operation	90	- - - - - - - - - -	1	1				
NOT Boolean Complement	F [011w] [mod 010 r/m]	- - - - - - - - - -	1	1		b	h	
OIO Official Invalid OpCode	0F FF	- - x 0 - - - - - -	1	8 - 125				
OR Boolean OR Register to Register	0 [10dw] [1 reg r/m]	0 - - - x x x u x 0	1	1		b	h	
Register to Memory	0 [100w] [mod reg r/m]		1	1				
Memory to Register	0 [101w] [mod reg r/m]		1	1				
Immediate to Register/Memory	8 [00sw] [mod 001 r/m]		1	1				
Immediate to Accumulator	0 [110w] ###		1	1				

= immediate 8-bit data

= immediate 16-bit data

= full immediate 32-bit data (8, 16, 32 bits)

+ = 8-bit signed displacement

+++ = full signed displacement (16, 32 bits)

x = modified

- = unchanged

u = undefined

Table 6.20. ST6x86 CPU Instruction Set Clock Count Summary (Continued)

INSTRUCTION	OPCODE	FLAGS	REAL MODE CLOCK COUNT		PROTECTED MODE CLOCK COUNT		NOTES	
			Reg/Cache Hit	Reg/Cache Hit	Reg/Cache Hit	Reg/Cache Hit	Real Mode	Protected Mode
OUT Output to Port		OF DF IF TF SF ZF AF PFCF - - - - - - - - - -						
Fixed Port	E [011w] #		14	14/28			m	
Variable Port	E [111w]		14	14/28				
OUTS Output String		- - - - - - - - - -	14	14/28			h,m	
POP Pop Value off Stack		- - - - - - - - - -					b	
Register/Memory	8F [mod 000 r/m]		1	1			b	h,i,j
Register (short form)	5 [1 reg]		1	1				
Segment Register (ES, SS, DS)	[000 sreg2 111]		1	3				
Segment Register (FS, GS)	0F [10 sreg3 001]		1	3				
POPA Pop All General Registers		- - - - - - - - - -	6	6			b	h
POPF Pop Stack into FLAGS		x x x x x x x x x x	9	9			b	h,n
PREFIX BYTES		- - - - - - - - - -						m
Assert Hardware LOCK Prefix	F0							
Address Size Prefix	67							
Operand Size Prefix	66							
Segment Override Prefix								
CS	2E							
DS	3E							
ES	26							
FS	64							
GS	65							
SS	36							

= immediate 8-bit data
= immediate 16-bit data
= full immediate 32-bit data (8, 16, 32 bits)
+ = 8-bit signed displacement
+++ = full signed displacement (16, 32 bits)
x = modified
- = unchanged
u = undefined

Table 6.20. ST6x86 CPU Instruction Set Clock Count Summary (Continued)

INSTRUCTION	OPCODE	FLAGS				REAL MODE CLOCK COUNT		PROTECTED MODE CLOCK COUNT		NOTES			
		OF	DF	IF	TF	SF	ZF	AF	PF	CF	Reg/Cache Hit	Real Mode	Protected Mode
PUSH <i>Push Value onto Stack</i> Register/Memory Register (short form) Segment Register (ES, CS, SS, DS) Segment Register (FS, GS) Immediate	FF [mod 110 r/m]	-	-	-	-	-	-	-	-	-	1	b	h
	5 [0 reg]	-	-	-	-	-	-	-	-	-	1	b	h
	[000 sreg2 110]	-	-	-	-	-	-	-	-	-	1	b	h
	0F [10 sreg3 000]	-	-	-	-	-	-	-	-	-	1	b	h
	6 [10s0] ###	-	-	-	-	-	-	-	-	-	1	b	h
	60	-	-	-	-	-	-	-	-	-	6	b	h
PUSHA <i>Push All General Registers</i>	9C	-	-	-	-	-	-	-	-	2	b	h	
RCL <i>Rotate Through Carry Left</i> Register/Memory by 1 Register/Memory by CL Register/Memory by Immediate	D [000w] [mod 010 r/m] D [001w] [mod 010 r/m] C [000w] [mod 010 r/m] #	x	-	-	-	-	-	-	x	3	b	h	
RCR <i>Rotate Through Carry Right</i> Register/Memory by 1 Register/Memory by CL Register/Memory by Immediate	D [000w] [mod 011 r/m] D [001w] [mod 011 r/m] C [000w] [mod 011 r/m] #	x	-	-	-	-	-	-	x	4	b	h	
REP INS <i>Input String</i>	F3 6[110w]	-	-	-	-	-	-	-	-	12+5n 28+5n	b	h,m	
REP LODS <i>Load String</i>	F3 A[110w]	-	-	-	-	-	-	-	-	10+n	b	h	
REP MOVS <i>Move String</i>	F3 A[010w]	-	-	-	-	-	-	-	-	9+n	b	h	
REP OUTS <i>Output String</i>	F3 6[111w]	-	-	-	-	-	-	-	-	12+5n 28+5n	b	h,m	

= immediate 8-bit data
= immediate 16-bit data
= full immediate 32-bit data (8, 16, 32 bits)

+ = 8-bit signed displacement
+++ = full signed displacement (16, 32 bits)

x = modified
- = unchanged
u = undefined

Table 6.20. ST6x86 CPU Instruction Set Clock Count Summary (Continued)

INSTRUCTION	OPCODE	FLAGS	REAL MODE CLOCK COUNT		PROTECTED MODE CLOCK COUNT		NOTES	
			Reg/Cache Hit	Reg/Cache Hit	Reg/Cache Hit	Protected Mode	Real Mode	Protected Mode
REP STOS Store String	F3 A[101w]	- - - - - - - - - -	10+n	10+n			b	h
REPE CMPS Compare String (Find non-match)	F3 A[011w]	x - - - x x x x x x	10+2n	10+2n			b	h
REPE SCAS Scan String (Find non-AL/AX/EAX)	F3 A[111w]	x - - - x x x x x x	10+2n	10+2n			b	h
REPNE CMPS Compare String (Find match)	F2 A[011w]	x - - - x x x x x x	10+2n	10+2n			b	h
REPNE SCAS Scan String (Find AL/AX/EAX)	F2 A[111w]	x - - - x x x x x x	10+2n	10+2n			b	h
RET Return from Subroutine		- - - - - - - - - -					b	g,h,j,k,r
Within Segment	C3		3	3				
Within Segment Adding Immediate to SP	C2 ##		4	4				
Intersegment	CB		4	7				
Intersegment Adding Immediate to SP	CA ##		4	7				
Protected Mode: Different Privilege Level								
Intersegment								
Intersegment Adding Immediate to SP								
ROL Rotate Left								
Register/Memory by 1	D[000w] [mod 000 r/m]	x - - - - - - - - x	1	1			b	h
Register/Memory by CL	D[001w] [mod 000 r/m]	u - - - - - - - - x	2	2				
Register/Memory by Immediate	C[000w] [mod 000 r/m] #	u - - - - - - - - x	1	1				

= immediate 8-bit data
= immediate 16-bit data
= full immediate 32-bit data (8, 16, 32 bits)
+ = 8-bit signed displacement
+++ = full signed displacement (16, 32 bits)
x = modified
- = unchanged
u = undefined

Table 6.20. ST6x86 CPU Instruction Set Clock Count Summary (Continued)

INSTRUCTION	OPCODE	FLAGS	REAL MODE CLOCK COUNT		PROTECTED MODE CLOCK COUNT		NOTES	
			Reg/Cache Hit	Reg/Cache Hit	Reg/Cache Hit	Protected Mode	Real Mode	Protected Mode
ROR Rotate Right Register/Memory by 1 Register/Memory by CL Register/Memory by Immediate	D[000w] [mod 001 r/m]	x - - - - - x	1	1		b	h	
	D[001w] [mod 001 r/m]	u - - - - - x	2	2				
	C[000w] [mod 001 r/m] #	u - - - - - x	1	1				
RSDC Restore Segment Register and Descriptor	0F 79 [mod sreg3 r/m]	- - - - - - - -	6	6		s	s	
	0F 7B [mod 000 r/m]	- - - - - - - -	6	6		s	s	
RSLDT Restore LDTR and Descriptor	0F AA	x x x x x x x x	40	40		s	s	
	0F 7D [mod 000 r/m]	- - - - - - - -	6	6		s	s	
SAHF Store AH in FLAGS	9E	- - - - x x x x x x	1	1				
SAL Shift Left Arithmetic Register/Memory by 1 Register/Memory by CL Register/Memory by Immediate	D[000w] [mod 100 r/m]	x - - - x x u x x	1	1		b	h	
	D[001w] [mod 100 r/m]	u - - - x x u x x	2	2				
	C[000w] [mod 100 r/m] #	u - - - x x u x x	1	1				
SAR Shift Right Arithmetic Register/Memory by 1 Register/Memory by CL Register/Memory by Immediate	D[000w] [mod 111 r/m]	x - - - x x u x x	1	1		b	h	
	D[001w] [mod 111 r/m]	u - - - x x u x x	2	2				
	C[000w] [mod 111 r/m] #	u - - - x x u x x	1	1				

= immediate 8-bit data

= immediate 16-bit data

= full immediate 32-bit data (8, 16, 32 bits)

+ = 8-bit signed displacement

+++ = full signed displacement (16, 32 bits)

x = modified

- = unchanged

u = undefined

Table 6.20. ST6x86 CPU Instruction Set Clock Count Summary (Continued)

INSTRUCTION	OPCODE	FLAGS	REAL MODE CLOCK COUNT		PROTECTED MODE CLOCK COUNT		NOTES	
			Reg/Cache Hit	Reg/Cache Hit	Reg/Cache Hit	Protected Mode	Real Mode	Protected Mode
SBB <i>Integer Subtract with Borrow</i> Register to Register	1[10dw] [11 reg r/m]	x - - - x x x x x	1	1	1		b	h
Register to Memory	1[100w] [mod reg r/m]		1	1				
Memory to Register	1[101w] [mod reg r/m]		1	1				
Immediate to Register/Memory	8[00sw] [mod 011 r/m] ###		1	1				
Immediate to Accumulator (short form)	1[110w] ###		1	1				
SCAS <i>Scan String</i>	A [111w]	x - - - x x x x x	2	2	2		b	h
SETB/SETNAE/SETC <i>Set Byte on Below/Not Above or Equal/Carry To Register/Memory</i>	0F 92 [mod 000 r/m]	- - - - - - - - - -	1		1			h
SETBE/SETNA <i>Set Byte on Below or Equal/Not Above To Register/Memory</i>	0F 96 [mod 000 r/m]	- - - - - - - - - -						h
SETE/SETZ <i>Set Byte on Equal/Zero To Register/Memory</i>	0F 94 [mod 000 r/m]	- - - - - - - - - -	1		1			h
SETL/SETNGE <i>Set Byte on Less/Not Greater or Equal To Register/Memory</i>	0F 9C [mod 000 r/m]	- - - - - - - - - -	1		1			h

= immediate 8-bit data
 ## = immediate 16-bit data
 ### = full immediate 32-bit data (8, 16, 32 bits)
 + = 8-bit signed displacement
 +++ = full signed displacement (16, 32 bits)
 x = modified
 - = unchanged
 u = undefined

Table 6.20. ST6x86 CPU Instruction Set Clock Count Summary (Continued)

INSTRUCTION	OPCODE	FLAGS	REAL MODE CLOCK COUNT		PROTECTED MODE CLOCK COUNT		NOTES
			Reg/Cache Hit	Reg/Cache Hit	Reg/Cache Hit	Protected Mode	
SETLE/SETNG Set Byte on Less or Equal/Not Greater To Register/Memory	0F 9E [mod 000 r/m]	- - - - - OF DF IF TF SF ZF AF PF CF	1	1			h
SETNB/SETAE/SETNC Set Byte on Not Below/ Above or Equal/Not Carry To Register/Memory	0F 93 [mod 000 r/m]	- - - - -	1	1			h
SETNBE/SETA Set Byte on Not Below or Equal/Above To Register/Memory	0F 97 [mod 000 r/m]	- - - - -	1	1			h
SETNE/SETNZ Set Byte on Not Equal/Not Zero To Register/Memory	0F 95 [mod 000 r/m]	- - - - -	1	1			h
SETNL/SETGE Set Byte on Not Less or Greater or Equal To Register/Memory	0F 9D [mod 000 r/m]	- - - - -	1	1			h
SETNLE/SETG Set Byte on Not Less or Equal/Greater To Register/Memory	0F 9F [mod 000 r/m]	- - - - -	1	1			h
SETNO Set Byte on Not Overflow To Register/Memory	0F 91 [mod 000 r/m]	- - - - -	1	1			h

= immediate 8-bit data
 ## = immediate 16-bit data
 ### = full immediate 32-bit data (8, 16, 32 bits)
 + = 8-bit signed displacement
 +++ = full signed displacement (16, 32 bits)
 x = modified
 - = unchanged
 u = undefined

Table 6.20. ST6x86 CPU Instruction Set Clock Count Summary (Continued)

INSTRUCTION	OPCODE	FLAGS	REAL MODE CLOCK COUNT		PROTECTED MODE CLOCK COUNT		NOTES	
			Reg/Cache Hit	Reg/Cache Hit	Reg/Cache Hit	Protected Mode	Real Mode	Protected Mode
SETNP/SETPO Set Byte on Not Parity/Parity Odd To Register/Memory	0F 9B [mod 000 r/m]	OF DF IF TF SF ZF AF PFCF - - - - - - - - - -	1	1				h
SETNS Set Byte on Not Sign To Register/Memory	0F 99 [mod 000 r/m]	- - - - - - - - - -	1	1				h
SETO Set Byte on Overflow To Register/Memory	0F 90 [mod 000 r/m]	- - - - - - - - - -	1	1				h
SETP/SETPE Set Byte on Parity/Parity Even To Register/Memory	0F 9A [mod 000 r/m]	- - - - - - - - - -	1	1				h
SETS Set Byte on Sign To Register/Memory	0F 98 [mod 000 r/m]	- - - - - - - - - -	1	1				h
SGDT Store GDT Register To Register/Memory	0F 01 [mod 000 r/m]	- - - - - - - - - -	4	4			b,c	h
SHL Shift Left Logical Register/Memory by 1 Register/Memory by CL Register/Memory by Immediate	D [000w] [mod 100 r/m] D [001w] [mod 100 r/m] C [000w] [mod 100 r/m] #	x - - - x x x u x x u - - - x x x u x x u - - - x x x u x x	1 2 1	1 2 1			b	h
SHLD Shift Left Double Register/Memory by Immediate Register/Memory by CL	0F A4 [mod reg r/m] # 0F A5 [mod reg r/m]	u - - - x x x u x x	4 5	4 5			b	h

= immediate 8-bit data
= immediate 16-bit data
= full immediate 32-bit data (8, 16, 32 bits)
+ = 8-bit signed displacement
+++ = full signed displacement (16, 32 bits)
x = modified
- = unchanged
u = undefined

Table 6.20. ST6x86 CPU Instruction Set Clock Count Summary (Continued)

INSTRUCTION	OPCODE	FLAGS	REAL MODE CLOCK COUNT		PROTECTED MODE CLOCK COUNT		NOTES	
			Reg/Cache Hit	Cache Hit	Reg/Cache Hit	Cache Hit	Real Mode	Protected Mode
SHR <i>Shift Right Logical</i> Register/Memory by 1	D [000w] [mod 101 r/m]	x - - - x x x u x x	1	1			b	h
Register/Memory by CL	D [001w] [mod 101 r/m]	u - - - x x x u x x	2	2				
Register/Memory by Immediate	C [000w] [mod 101 r/m] #	u - - - x x x u x x	1	1				
SHRD <i>Shift Right Double</i> Register/Memory by Immediate	0F AC [mod reg r/m] #	u - - - x x x u x x	4	4			b	h
Register/Memory by CL	0F AD [mod reg r/m]		5	5				
SIDT <i>Store IDT Register</i> To Register/Memory	0F 01 [mod 001 r/m]	- - - - - - - - - -	4	4			b,c	h
SLDT <i>Store LDT Register</i> To Register/Memory	0F 00 [mod 000 r/m]	- - - - - - - - - -					a	h
SMINT <i>Software SMM Entry</i>	0F 7E	- - - - - - - - - -	55	55			s	s
SMSW <i>Store Machine Status Word</i>	0F 01 [mod 100 r/m]	- - - - - - - - - -	6	6			b,c	h
STC <i>Set Carry Flag</i>	F9	- - - - - - - - - 1	1	1				
STD <i>Set Direction Flag</i>	FD	- 1 - - - - - - - -	7	7				
STI <i>Set Interrupt Flag</i>	FB	- - 1 - - - - - - -	7	7				m
STOS <i>Store String</i>	A [101w]	- - - - - - - - - -	2	2			b	h
STR <i>Store Task Register</i> To Register/Memory	0F 00 [mod 001 r/m]	- - - - - - - - - -					a	h

= immediate 8-bit data

= immediate 16-bit data

= full immediate 32-bit data (8, 16, 32 bits)

+ = 8-bit signed displacement

+++ = full signed displacement (16, 32 bits)

x = modified

- = unchanged

u = undefined

Table 6.20. ST6x86 CPU Instruction Set Clock Count Summary (Continued)

INSTRUCTION	OPCODE	FLAGS	REAL MODE CLOCK COUNT		PROTECTED MODE CLOCK COUNT		NOTES	
			Reg/Cache Hit	Reg/Cache Hit	Reg/Cache Hit	Reg/Cache Hit	Real Mode	Protected Mode
SUB Integer Subtract Register to Register Register to Memory Memory to Register Immediate to Register/Memory Immediate to Accumulator (short form)	2 [10cw] [11 reg r/m]	x - - - x x x x x	1	1			b	h
	2 [100w] [mod reg r/m]		1	1				
	2 [101w] [mod reg r/m]		1	1				
	8 [00sw] [mod 101 r/m]###		1	1				
	2 [110w]###		1	1				
SVDC Save Segment Register and Descriptor	0F 78 [mod streg3 r/m]	- - - - - - - -	12	12			s	s
	0F 7A [mod 000 r/m]	- - - - - - - -	12	12			s	s
	0F 7C [mod 000 r/m]	- - - - - - - -	14	14			s	s
TEST Test Bits Register/Memory and Register Immediate Data and Register/Memory Immediate Data and Accumulator	8 [010w] [mod reg r/m]	0 - - - x x u x 0	1	1			b	h
	F [011w] [mod 000 r/m]###		1	1				
	A [100w]###		1	1				
VERR Verify Read Access To Register/Memory	0F 00 [mod 100 r/m]	- - - - - x - - - -				7	a	g,h,i,p
VERW Verify Write Access To Register/Memory	0F 00 [mod 101 r/m]	- - - - - x - - - -				7	a	g,h,i,p
WAIT Wait Until FPU Not Busy	9B	- - - - - - - - - -	5	5				
WBINVD Write-Back and Invalidate Cache	0F 09	- - - - - - - - - -	15	15			t	t

= immediate 8-bit data
= immediate 16-bit data
= full immediate 32-bit data (8, 16, 32 bits)
+ = 8-bit signed displacement
+++ = full signed displacement (16, 32 bits)
x = modified
- = unchanged
u = undefined

Table 6.20. ST6x86 CPU Instruction Set Clock Count Summary (Continued)

INSTRUCTION	OPCODE	FLAGS								REAL MODE CLOCK COUNT		PROTECTED MODE CLOCK COUNT		NOTES				
		OF	DF	IF	TF	SF	ZF	AF	PF	CF	Reg/Cache Hit	Cache Hit	Reg/Cache Hit	Protected Mode	Real Mode	Protected Mode		
XADD <i>Exchange and Add</i> Register1, Register2 Memory, Register	0F C[000w] [11 reg2 reg1] 0F C[000w] [mod reg r/m]	x	-	-	-	x	x	x	x	x	2	2						
XCHG <i>Exchange</i> Register/Memory with Register Register with Accumulator	8[011w] [mod reg r/m] 9[0 reg]	-	-	-	-	-	-	-	-	2	2			b,f	f,h			
XLAT <i>Translate Byte</i>	D7	-	-	-	-	-	-	-	-	4	4					h		
XOR <i>Boolean Exclusive OR</i> Register to Register Register to Memory Memory to Register Immediate to Register/Memory Immediate to Accumulator (short form)	3 [00dw] [11 reg r/m] 3 [000w] [mod reg r/m] 3 [001w] [mod reg r/m] 8 [00sw] [mod 110 r/m]### 3 [010w]###	0	-	-	-	x	x	u	x	0	1	1	1	1	1	1	b	h

= immediate 8-bit data

= immediate 16-bit data

= full immediate 32-bit data (8, 16, 32 bits)

+ = 8-bit signed displacement

+++ = full signed displacement (16, 32 bits)

x = modified

- = unchanged

u = undefined

Instruction Notes for Instruction Set Summary**Notes a through c apply to Real Address Mode only:**

- This is a Protected Mode instruction. Attempted execution in Real Mode will result in exception 6 (invalid op-code).
- Exception 13 fault (general protection) will occur in Real Mode if an operand reference is made that partially or fully extends beyond the maximum CS, DS, ES, FS, or GS segment limit (FFFFH). Exception 12 fault (stack segment limit violation or not present) will occur in Real Mode if an operand reference is made that partially or fully extends beyond the maximum SS limit.
- This instruction may be executed in Real Mode. In Real Mode, its purpose is primarily to initialize the CPU for Protected Mode.
-

Continued on next page...

.Instruction Notes for Instruction Set Summary**Notes e through g apply to Real Address Mode and Protected Virtual Address Mode:**

- e. An exception may occur, depending on the value of the operand.
- f. LOCK# is automatically asserted, regardless of the presence or absence of the LOCK prefix.
- g. LOCK# is asserted during descriptor table accesses.

Continued on next page...

Notes h through r apply to Protected Virtual Address Mode only:

- h. Exception 13 fault will occur if the memory operand in CS, DS, ES, FS, or GS cannot be used due to either a segment limit violation or an access rights violation. If a stack limit is violated, an exception 12 occurs.
- i. For segment load operations, the CPL, RPL, and DPL must agree with the privilege rules to avoid an exception 13 fault. The segment's descriptor must indicate "present" or exception 11 (CS, DS, ES, FS, GS not present). If the SS register is loaded and a stack segment not present is detected, an exception 12 occurs.
- j. All segment descriptor accesses in the GDT or LDT made by this instruction will automatically assert LOCK# to maintain descriptor integrity in multiprocessor systems.
- k. JMP, CALL, INT, RET, and IRET instructions referring to another code segment will cause an exception 13, if an applicable privilege rule is violated.
- l. An exception 13 fault occurs if CPL is greater than 0 (0 is the most privileged level).
- m. An exception 13 fault occurs if CPL is greater than IOPL.
- n. The IF bit of the flag register is not updated if CPL is greater than IOPL. The IOPL and VM fields of the flag register are updated only if CPL = 0.
- o. The PE bit of the MSW (CR0) cannot be reset by this instruction. Use MOV into CR0 if desiring to reset the PE bit.
- p. Any violation of privilege rules as apply to the selector operand does not cause a Protection exception, rather, the zero flag is cleared.
- q. If the coprocessor's memory operand violates a segment limit or segment access rights, an exception 13 fault will occur before the ESC instruction is executed. An exception 12 fault will occur if the stack limit is violated by the operand's starting address.
- r. The destination of a JMP, CALL, INT, RET, or IRET must be in the defined limit of a code segment or an exception 13 fault will occur.

Note s applies to SGS-Thomson specific SMM instructions:

- s. All memory accesses to SMM space are non-cacheable. An invalid opcode exception 6 occurs unless SMI is enabled and ARR3 size > 0, and CPL = 0 and [SMAC is set or if in an SMI handler].

Note t applies to cache invalidation instructions with the cache operating in write-back mode:

- t. The total clock count is the clock count shown plus the number of clocks required to write all "modified" cache lines to external memory.

6.5 FPU Clock Counts

The CPU is functionally divided into the FPU, and the integer unit. The FPU processes floating point instructions only and does so in parallel with the integer unit.

For example, when the integer unit detects a floating point instruction without memory operands, after two clock cycles the instruction passes to the FPU for execution. The integer unit continues to execute instructions while the FPU executes the floating point instruction. If another FPU instruc-

tion is encountered, the second FPU instruction is placed in the FPU queue. Up to four FPU instructions can be queued. In the event of an FPU exception, while other FPU instructions are queued, the state of the CPU is saved to ensure recovery.

6.5.1 FPU Clock Count Table

The clock counts for the FPU instructions are listed in Table 6.21. The abbreviations used in this table are listed in FPU Clock Count Table Abbreviations

Table 6.21 FPU Clock Count Table Abbreviations

ABBREVIATION	MEANING
n	Stack register number
TOS	Top of stack register pointed to by SSS in the status register.
ST(1)	FPU register next to TOS
ST(n)	A specific FPU register, relative to TOS
M.WI	16-bit integer operand from memory
M.SI	32-bit integer operand from memory
M.LI	64-bit integer operand from memory
M.SR	32-bit real operand from memory
M.DR	64-bit real operand from memory
M.XR	80-bit real operand from memory
M.BCD	18-digit BCD integer operand from memory
CC	FPU condition code
Env Regs	Status, Mode Control and Tag Registers, Instruction Pointer and Operand Pointer

Table 6.22 6x86 FPU Instruction Set Summary

FPU INSTRUCTION	OP CODE	OPERATION	CLOCK COUNT	NOTES
F2XM1 Function Evaluation 2^{X-1}	D9 F0	TOS ← 2^{TOS-1}	92 - 108	See Note 2
FABS Floating Absolute Value	D9 E1	TOS ← TOS	2	
FADD Floating Point Add	DC [1100 0 n]	ST(n) ← ST(n)+TOS	4 - 9	
Top of Stack	D8 [1100 0 n]	TOS ← TOS+ST(n)	4 - 9	
80-bit Register	DC [mod 000 r/m]	TOS ← TOS+M.DR	4 - 9	
64-bit Real	D8 [mod 000 r/m]	TOS ← TOS+M.SR	4 - 9	
32-bit Real	DE [1100 0 n]	ST(n) ← ST(n) + TOS; then Pop TOS	4 - 9	
FADDP Floating Point Add, Pop	DA [mod 000 r/m]	TOS ← TOS+M.SI	8 - 14	
FIADD Floating Point Integer Add	DE [mod 000 r/m]	TOS ← TOS+M.WI	8 - 14	
32-bit integer				
16-bit integer				
FCHS Floating Change Sign	D9 E0	TOS ← - TOS	2	
FCLEX Clear Exceptions	(9B)DB E2	Wait then Clear Exceptions	5	
FNCLEX Clear Exceptions	DB E2	Clear Exceptions	3	
FCOM Floating Point Compare	D8 [1101 0 n]	CC setby TOS- ST(n)	4	
80-bit Register	DC [mod 010 r/m]	CC setby TOS- M.DR	4	
64-bit Real	D8 [mod 010 r/m]	CC setby TOS- M.SR	4	
32-bit Real				
FCOMP Floating Point Compare, Pop	D8 [1101 1 n]	CC setby TOS- ST(n); then Pop TOS	4	
80-bit Register	DC [mod 011 r/m]	CC setby TOS- M.DR; then Pop TOS	4	
64-bit Real	D8 [mod 011 r/m]	CC setby TOS- M.SR; then Pop TOS	4	
32-bit Real	DE D9	CC setby TOS- ST(1); then Pop TOS and ST(1)	4	
FCOMPP Floating Point Compare, Pop Two Stack Elements				
FICOM Floating Point Compare	DA [mod 010 r/m]	CC setby TOS- M.WI	9 - 10	
32-bit integer	DE [mod 010 r/m]	CC setby TOS- M.SI	9 - 10	
16-bit integer				
FICOMP Floating Point Compare	DA [mod 011 r/m]	CC setby TOS- M.WI; then Pop TOS	9 - 10	
32-bit integer	DE [mod 011 r/m]	CC setby TOS- M.SI; then Pop TOS	9 - 10	
16-bit integer				
FCOS Function Evaluation: Cos(x)	D9 FF	TOS ← COS(TOS)	92 - 141	See Note 1
FDECSTP Decrement Stack Pointer	D9 F6	Decrement top of stack pointer	4	

Table 6.22 6x86 FPU Instruction Set Summary

FPU INSTRUCTION	OP CODE	OPERATION	CLOCK COUNT	NOTES
FDIV Floating Point Divide Top of Stack	DC [11111 n]	ST(n) ←	24-34	
80-bit Register	D8 [11110 n]	TOS ←	24-34	
64-bit Real	DC [mod 110 r/m]	TOS ←	24-34	
32-bit Real	D8 [mod 110 r/m]	TOS ←	24-34	
FDIVP Floating Point Divide, Pop	DE [11111 n]	ST(n) ←	24-34	then Pop TOS
FDIVR Floating Point Divide Reversed				
Top of Stack	DC [11110 n]	TOS ←	24-34	
80-bit Register	D8 [11111 n]	ST(n) ←	24-34	
64-bit Real	DC [mod 111 r/m]	TOS ←	24-34	
32-bit Real	D8 [mod 111 r/m]	TOS ←	24-34	
FDIVRP Floating Point Divide Reversed, Pop	DE [11110 n]	TOS / ST(n); then Pop	24-34	
FIDIV Floating Point Integer Divide				
32-bit Integer	DA [mod 110 r/m]	TOS ←	34-38	
16-bit Integer	DE [mod 110 r/m]	TOS ←	33-38	
FIDIVR Floating Point Integer Divide Reversed				
32-bit Integer	DA [mod 111 r/m]	TOS ←	34-38	
16-bit Integer	DE [mod 111 r/m]	TOS ←	33-38	
FFREE Free Floating Point Register	DD [1100 0 n]	TAG(n) ← Empty	3	
FINCSTP Increment Stack Pointer	D9 F7	Increment top of stack pointer	2	
FINIT Initialize FPU	(9B)DB E3	Wait then initialize	8	
FNINIT Initialize FPU	DB E3	Initialize	6	
FLD Load Data to FPU Reg.				
Top of Stack	D9 [1100 0 n]	Push ST(n) onto stack	2	
64-bit Real	DD [mod 000 r/m]	Push M.DR onto stack	2	
32-bit Real	D9 [mod 000 r/m]	Push M.SR onto stack	2	
FBLD Load Packed BCD Data to FPU Reg.	DF [mod 100 r/m]	Push M.BCD onto stack	41-45	
FILD Load Integer Data to FPU Reg.				
64-bit Integer	DF [mod 101 r/m]	Push M.LI onto stack	4-8	
32-bit Integer	DB [mod 000 r/m]	Push M.SI onto stack	4-6	
16-bit Integer	DF [mod 000 r/m]	Push M.WI onto stack	3-6	
FLD1 Load Floating Const.= 1.0	D9 E8	Push 1.0 onto stack	4	
FLDCW Load FPU Mode Control Register	D9 [mod 101 r/m]	Ctl Word ← Memory	4	
FLDENV Load FPU Environment	D9 [mod 100 r/m]	Env Regs ← Memory	30	

Table 6.22 6x86 FPU Instruction Set Summary

FPU INSTRUCTION	OP CODE	OPERATION	CLOCK COUNT	NOTES
FLDL2E Load Floating Const. = $\text{Log}_2(e)$	D9 EA	Push $\text{Log}_2(e)$ onto stack	4	
FLDL2T Load Floating Const. = $\text{Log}_2(10)$	D9 E9	Push $\text{Log}_2(10)$ onto stack	4	
FLDLG2 Load Floating Const. = $\text{Log}_{10}(2)$	D9 EC	Push $\text{Log}_{10}(2)$ onto stack	4	
FLDLN2 Load Floating Const. = $\text{Ln}(2)$	D9 ED	Push $\text{Log}_e(2)$ onto stack	4	
FLDPI Load Floating Const. = π	D9 EB	Push π onto stack	4	
FLDZ Load Floating Const. = 0.0	D9 EE	Push 0.0 onto stack	4	
FMUL Floating Point Multiply Top of Stack 80-bit Register 64-bit Real 32-bit Real	DC[1100 1 n] D8[1100 1 n] DC[mod 001 r/m] D8[mod 001 r/m] DE[1100 1 n]	ST(n) ← ST(n) × TOS TOS ← TOS × ST(n) TOS ← TOS × M.DR TOS ← TOS × M.SR ST(n) ← ST(n) × TOS; then Pop TOS TOS ← TOS × M.SI TOS ← TOS × M.WI	4-9 4-9 4-8 4-6 4-9	
FIMUL Floating Point Multiply & Pop 32-bit Integer 16-bit Integer	DA[mod 001 r/m] DE[mod 001 r/m]	TOS ← TOS × M.SI TOS ← TOS × M.WI	9-11 8-10	
FNOP No Operation	D9 D0	No Operation	2	
FPATAN Function Eval: $\text{Tan}^{-1}(y/x)$	D9 F3	ST(1) ← ATAN(ST(1) TOS); then Pop TOS	97-161	See Note3
FPREM Floating Point Remainder	D9 F8	TOS ← Rem[TOS/ST(1)]	82-91	
FPREM1 Floating Point Remainder IEEE	D9 F5	TOS ← Rem[TOS/ST(1)]	82-91	
FPTAN Function Eval: $\text{Tan}(x)$	D9 F2	TOS ← TAN(TOS) then Push 1.0	117-129	See Note1
FRNDINT Round to Integer	D9 FC	TOS ← Round(TOS)	10-20	
FRSTOR Load FPU Environment and Reg.	DD [mod 100 r/m]	Restore state.	56-72	
FSAVE Save FPU Environment and Reg	(9B)DD[mod 110 r/m]	Wait thensave state.	57-67	
FNSAVE Save FPU Environment and Reg	DD [mod 110 r/m]	Save state.	55-65	
FSCALE Floating Multiply by 2^n	D9 FD	TOS ← TOS × $2^{\text{ST}(1)}$	7-14	See Note1
FSIN Function Evaluation: $\text{Sin}(x)$	D9 FE	TOS ← SIN(TOS)	76-140	See Note1
FSINCOS Function Eval.: $\text{Sin}(x)$ & $\text{Cos}(x)$	D9 FB	temp ← TOS; TOS ← SIN(temp); then Push COS(temp) onto stack	145-161	See Note1
FSQRT Floating Point Square Root	D9 FA	TOS ← SquareRoot of TOS	59-60	

Table 6.22 6x86 FPU Instruction Set Summary

FPU INSTRUCTION	OP CODE	OPERATION	CLOCK COUNT	NOTES
FST Store FPU Register	DD[1101 0 n]	ST(n) ← TOS	2	
Top of Stack	DB[mod 111 r/m]	M.XR ← TOS	2	
80-bit Real	DD[mod 010 r/m]	M.DR ← TOS	2	
64-bit Real	D9[mod 010 r/m]	M.SR ← TOS	2	
32-bit Real				
FSTP Store FPU Register, Pop				
Top of Stack	DB[1101 1 n]	ST(n) ← TOS; then PopTOS	2	
80-bit Real	DB[mod 111 r/m]	M.XR ← TOS; then PopTOS	2	
64-bit Real	DD[mod 011 r/m]	M.DR ← TOS; then PopTOS	2	
32-bit Real	D9[mod 011 r/m]	M.SR ← TOS; then PopTOS	2	
FBSTP Store BCD Data, Pop	DF[mod 110 r/m]	M.BCD ← TOS; then PopTOS	57 - 63	
FIST Store Integer FPU Register				
32-bit Integer	DB[mod 010 r/m]	M.SI ← TOS	8 - 13	
16-bit Integer	DF[mod 010 r/m]	M.WI ← TOS	7 - 10	
FISTP Store Integer FPU Register, Pop				
64-bit Integer	DF[mod 111 r/m]	M.LI ← TOS; then PopTOS	10 - 13	
32-bit Integer	DB[mod 011 r/m]	M.SI ← TOS; then PopTOS	8 - 13	
16-bit Integer	DF[mod 011 r/m]	M.WI ← TOS; then PopTOS	7 - 10	
FSTCW Store FPU Mode Control Register	(9B)D9[mod 111 r/m]	Wait Memory ← Control Mode Register	5	
FNSTCW Store FPU Mode Control Register	D9 [mod 111 r/m]	Memory ← Control Mode Register	3	
FSTENV Store FPU Environment	(9B)D9[mod 110 r/m]	Wait Memory ← Env. Registers	14 - 24	
FNSTENV Store FPU Environment	D9 [mod 110 r/m]	Memory ← Env. Registers	12 - 22	
FNSTSW Store FPU Status Register	(9B)DD[mod 111 r/m]	Wait Memory ← Status Register	6	
FNSTSW Store FPU Status Register	DD [mod 111 r/m]	Memory ← Status Register	4	
FSTSW AX Store FPU Status Register to AX	(9B)DF E0	Wait AX ← Status Register	4	
FNSTSW AX Store FPU Status Register to AX	DF E0	AX ← Status Register	2	
FSUB Floating Point Subtract				
Top of Stack	DC [11101 n]	ST(n) ← ST(n)-TOS	4 - 9	
80-bit Register	D8 [11100 n]	TOS ← TOS-ST(n)	4 - 9	
64-bit Real	DC [mod 100 r/m]	TOS ← TOS-M.DR	4 - 9	
32-bit Real	D8 [mod 100 r/m]	TOS ← TOS-M.SR	4 - 9	
FSUBP Floating Point Subtract, Pop	DE [11101 n]	ST(n) ← ST(n)-TOS; then PopTOS	4 - 9	

Table 6.22 6x86 FPU Instruction Set Summary

FPU INSTRUCTION	OP CODE	OPERATION	CLOCK COUNT	NOTES
FSUBR Floating Point Subtract Reverse Top of Stack	DC [11100 n]	TOS ← ST(n)-TOS	4-9	
80-bit Register	D8 [11101 n]	ST(n) ← TOS-ST(n)	4-9	
64-bit Real	DC [mod 101 r/m]	TOS ← M.DR-TOS	4-9	
32-bit Real	D8 [mod 101 r/m]	TOS ← M.SR-TOS	4-9	
FSUBRP Floating Point Subtract Reverse, Pop	DE [11100 n]	TOS ← TOS-ST(n); then Pop TOS	4-9	
FISUB Floating Point Integer Subtract	DA [mod 100 r/m]	TOS ← TOS-M.SI	14-29	
32-bit Integer	DE [mod 100 r/m]	TOS ← TOS-M.WI	14-27	
16-bit Integer				
FISUBR Floating Point Integer Subtract Reverse	DA [mod 101 r/m]	TOS ← M.SI-TOS	14-29	
32-bit Integer Reversed	DE [mod 101 r/m]	TOS ← M.WI-TOS	14-27	
16-bit Integer Reversed				
FTST Test Top of Stack	D9 E4	CC set by TOS-0.0	4	
FUCOMP Unordered Compare	DD [11100 n]	CC set by TOS-ST(n)	4	
FUCOMP Unordered Compare, Pop	DD [11101 n]	CC set by TOS-ST(n); then Pop TOS	4	
FUCOMPP Unordered Compare, Pop two elements	DA E9	CC set by TOS-ST(l); then Pop TOS and ST(1)	4	
FWAIT Wait	9B	Wait for FPU not busy	2	
FXAM Report Class of Operand	D9 E5	CC ← Class of TOS	4	
FXCH Exchange Register with TOS	D9 [11001 n]	TOS ↔ ST(n) Exchange	3	
FXTRACT Extract Exponent	D9 F4	temp ← TOS; TOS ← exponent(temp); then Push significant(temp) onto stack	11-16	
FLY2X Function Eval. $y \times \text{Log}_2(x)$	D9F1	ST(1) ← ST(1) × Log ₂ (TOS); then Pop TOS	145-154	
FLY2XP1 Function Eval. $y \times \text{Log}_2(x+1)$	D9F9	ST(1) ← ST(1) × Log ₂ (1+TOS); then Pop TOS	131-133	See Note 4

FPU Instruction Summary Notes

All references to TOS and ST(n) refer to stack layout prior to execution.

Values Popped off the stack are discarded.

A Pop from the stack increments the top of stack pointer.

A Push to the stack decrements the top of stack pointer.

Note 1:

For FCOS, FSIN, FSINCOS and FPTAN, time shown is for absolute value of TOS < $3\pi/4$.

Add 90 clock counts for argument reduction if outside this range.

For FCOS, clock count is 141 if TOS < $\pi/4$ and clock count is 92 if $\pi/4$ < TOS < $\pi/2$.

For FSIN, clock count is 81 to 82 if absolute value of TOS < $\pi/4$.

Note 2:

For F2XM1, clock count is 92 if absolute value of TOS < 0.5.

Note 3:

For FPATAN, clock count is 97 if ST(1)/TOS < $\pi/32$.

Note 4:

For FYL2XP1, clock count is 170 if TOS is out of range and regular FYL2X is called.

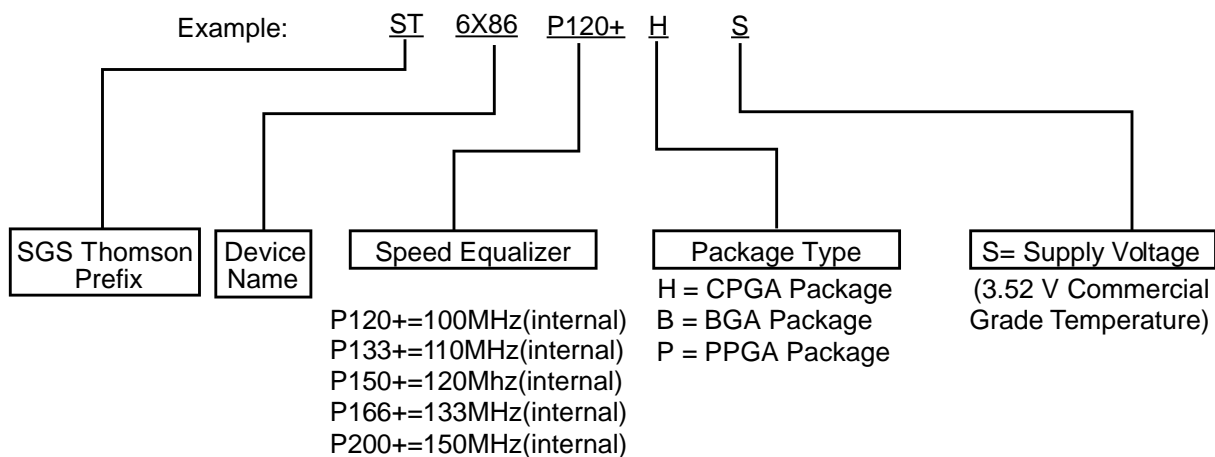
Note 5:

The following opcodes are reserved by Cyrix:

D9D7, D9E2, D9E7, DDFC, DED8, DEDA, DEDC, DEDD, DEDE, DFFC.

If a reserved opcode is executed, and unpredictable results may occur (exceptions are not generated).

Ordering Information



Please contact your nearest SGS-THOMSON sales office to confirm availability of specific valid combinations and to check on newly released combinations.

ST6x86

The ST6x86 CPU part numbers are listed below.

ST6x86 Part Numbers

PART NUMBER	NOM Vcc (V)	FREQUENCY (MHz)	
		BUS	INTERNAL
ST6X86P120+HS	3.52	50	100
ST6X86P133+HS	3.52	55	110
ST6X86P150+HS	3.52	60	120
ST6X86P166+HS	3.52	66	133

INDEX

Numerics

296-Pin SPGA Package	5-1
6x86 Configuration Registers	2-23

A

Abort Exception	2-57
Absolute Maximum Ratings	4-2
AC Characteristics	4-5
Address Bus	3-8
Address Parity	3-9
Address Space	2-40
Application Register Set	2-4
Architecture Overview	1-1

B

Back-Off Timing	3-48
Base Field	6-10
Branch Control	1-11
Branch Prediction	1-11
Burst Cycle Address Sequence	3-33
Burst Write Cycles	3-36
Bus Arbitration	3-15 3-45
Bus Cycle Control	3-12
Bus Cycle Definitions	3-10
Bus Interface	3-1
Bus Interface Unit	1-15
Bus State Definition	3-25

C

Cache Coherency	3-17
Cache Control	3-13
Cache Control Timing	3-42
Cache Inquiry Cycles	3-49
Cache Units	1-12
Clock Control	3-6
Configuration Control Registers	2-23
Confirmation Registers	2-11
Control Register	2-13
Control Registers	2-11
CPU Instruction Set Summary Table Abbreviations	6-12
CPU Instruction Set Summary Table Flags Table	6-13
CPUID Instruction	6-11
Current Privilege Level (CPL)	2-71

D

d Field	6-4
Data Bus	3-9
Data Bypassing	1-10

Data Dependency Solutions	1-4
Data Forwarding	1-7
Data Parity	3-9
Data Registers	2-5
DC Characteristics	4-4
Debug Registers	2-11, 2-37
Descriptor Privilege Level (DPL)	2-71
Descriptor Table Registers	2-11, 2-15
Descriptors	2-16

E

eee Field	6-5
Electrical Connections	4-1
Entering and Leaving V86 Mode	2-75
Error Codes	2-62
EWBE# Timing	3-44
Exceptions	
Abort	2-57
Fault	2-57
Trap	2-56
Exceptions in Real Mode	2-61
Exclusive Instructions	1-4

F

Fault Exception	2-57
Fields	
Base	6-10
d	6-4
eee	6-5
index	6-9
mod and r/m	6-6
sreg2	6-8
sreg3	6-8
ss	6-9
w	6-4
Flag Register	2-4
Flags	6-13
Flags Register	2-9
Floating Point Unit	1-15
Floating Point Unit Operations	2-75
FPU Control and Status Registers	2-75
FPU Error Interface	3-18
FPU Parallel Execution	1-15
FPU Tag Word Register	2-75
Functional Blocks	1-1
Functional Timing	3-24

G

Gate Descriptors	2-19
Gates	2-73

INDEX

General Instruction Fields	6-2	L	
General Purpose Register	2-5	Local Descriptor Table Register	2-15
General Purpose Registers	2-4	Lock Prefix	2-3
Global Descriptor Table Register	2-15		
H		M	
HALT Initiated Suspend Mode	3-61	Memory Address Space	2-40
Hold and HLDA	3-45	Memory Addressing	
I		Protected Mode	2-43
I/O Address Space	2-41	Real Mode	2-43
I/O Privilege Levels	2-72	V86 Mode	2-74
index Field	6-9	Memory Addressing Methods	2-41
Index Register	2-6	Memory Management Unit	1-14
Initialization and Transition to Protected Mode	2-73	mod and r/m Byte	6-6
Inquiry Cycles Using AHOLD	3-52	Modes	
Inquiry Cycles Using BOFF	3-51	System Management	2-63
Inquiry Cycles Using HOLD/HLDA	3-50	N	
Instruction Line Cache	1-13	NC and Reserved Pins	4-2
Instruction Clock Count		NMI Interrupt	2-55
Assumptions made in determining	6-12	Non-Pipelined Bus Cycles	3-28
Instruction Pointer Register	2-4, 2-9	Non-Pipelined Single Transfer Cycles	3-28
Instruction Set Formats	6-1	Non-Pipelined Burst Read Cycles	3-31
Instruction Set Overview	2-3	O	
Instruction Set Summary	6-1	Offset Address Calculation	2-42
Instruction Set Tables	6-12	Offset Mechanism	2-42
Instruction Prefix Summary	6-43	Operand forwarding	1-7
Integer Unit	1-2	Opicode Byte	6-4
Interrupts		Optional Prefix Byte	6-2
SMM	2-56	Out-of-Order Processing	1-3
Interrupt Acknowledge Cycles	3-40	P	
Interrupt and Exception Priorities	2-59	Pins	
Interrupt Control	3-12	NC and Reserved	4-2
Interrupt Descriptor Table	2-59	Unused Input	4-2
Interrupt Descriptor Table Register	2-15	Pipeline Selection	1-4
Interrupt Handling		Pipeline Stages	
V86 Mode	2-74	Execute	1-3
Interrupt Vector Assignments	2-57	Instruction Fetch	1-3
Interrupts	2-55	Write-Back	1-3
INTR	2-56	Pipelined Back-to-Back Read/Write Cycles .	3-39
NMI	2-55	Pipelined Bus Cycles	3-37
Vectors	2-57	Pipeline Stages	
INTR Interrupt	2-56	Address Calculation	1-3
Invalidating the Cache Using FLUSH#	3-42	Pointer Register	2-6
J		Power and Ground Connections and Decoupling	
JTAG Interface	3-23	4-1	
		Power Management Interface	3-21, 3-60
		Privilege Levels	
		Current	2-71

INDEX

Descriptor	2-71	Shutdown and Halt	2-69
Requested	2-71	Signal Description Table	3-2
Privilege Level Transfers	2-72	Signal Descriptions	3-6
Processor Initialization	2-1	Signals	
Programming Interface	2-1	INTR	2-56
Protected Mode Memory Addressing	2-43	NMI	2-55
Protection	2-71	SMM	2-56
V86 Mode	2-74	SMI Service Routine Execution	2-68
Pull-Up/Pull-Down Resistors	4-1	SMI# Interrupt Timing	3-41
R		SMM Interrupt	2-56
RAW Dependency Example	1-8	SMM Memory Space	2-68
Real Mode Memory Addressing	2-43	SMM Memory Space Header	2-65
Recommended Operating Conditions	4-3	SMM Operation	2-64
Register Renaming	1-4	Speculative Execution	1-12
Register Sets	2-4	sreg2 Field	6-8
Registers		sreg3 Field	6-8
6x86 Configuration	2-23	ss Field	6-9
Configuration Control	2-23	Stopping the Input Clock	3-62
Confirmation	2-11	SUSP# Initiated Suspend Mode	3-60
Control	2-11, 2-13	System Management Mode	2-63
Data	2-5	System Register Set	2-11
Debug	2-11, 2-37	T	
Descriptor Table	2-11, 2-15	Table Indicator (TI)	2-8
Flag	2-4	Task Register	2-11, 2-20
Flags	2-9	Test Registers	2-11, 2-39
General Purpose	2-4, 2-5	Thermal Characteristics	5-6
Global Descriptor Table	2-15	Traditional Paging Mechanism	1-15
Index	2-6	Trap Exception	2-56
Instruction Pointer	2-4, 2-9	U	
Interrupt Descriptor Table	2-15	Unified Cache	1-12
Local Descriptor Table Register	2-15	Unused Input Pins	4-2
Pointer	2-6	V	
Segment	2-4, 2-7	V86 Interrupt Handling	2-74
Task	2-11, 2-20	V86 Memory Addressing	2-74
Test	2-11, 2-39	V86 Protection	2-74
Requested Privilege Level (RPL)	2-71	Variable-Size Paging Mechanism	1-14
Requested Privilege Level (RPL)	2-8	Vector Interrupt	2-57
Reset Control	3-6	Virtual 8086 Mode	2-74
Reset Timing	3-24	W	
Result Forwarding	1-7	w Field	6-4
S		WAR Dependency Example	1-5
s Field	6-5	WAW Dependency Example	1-6
Scatter/Gather Buffer Interface	3-18, 3-55	WAW Dependency Example 1-6	
Section 2.6.4 (Page 45)	2-7		
Segment Register	2-7		
Segment Registers	2-4		
Segment Selector	2-7		
Selector Mechanism	2-44		

Information furnished is believed to be accurate and reliable. However, SGS-THOMSON Microelectronics assumes no responsibility for the consequences of use of such information nor for any infringement of patents or other rights of third parties which may result from its use. No license is granted by implication or otherwise under any patent or patent rights of SGS-THOMSON Microelectronics. Specifications mentioned in this publication are subject to change without notice. This publication supersedes and replaces all information previously supplied. SGS-THOMSON Microelectronics products are not authorized for use as critical components in life support devices or systems without express written approval of SGS-THOMSON Microelectronics.

© 1996 SGS-THOMSON Microelectronics – Printed In Italy – All rights reserved.

SGS-THOMSON Microelectronics GROUP OF COMPANIES

Australia – Brazil – Canada – China – France – Germany – Hong Kong – Italy – Japan – Korea – Malaysia – Malta – Morocco
The Netherlands – Singapore – Spain – Sweden – Switzerland – Taiwan – Thailand – United Kingdom – U. S. A.